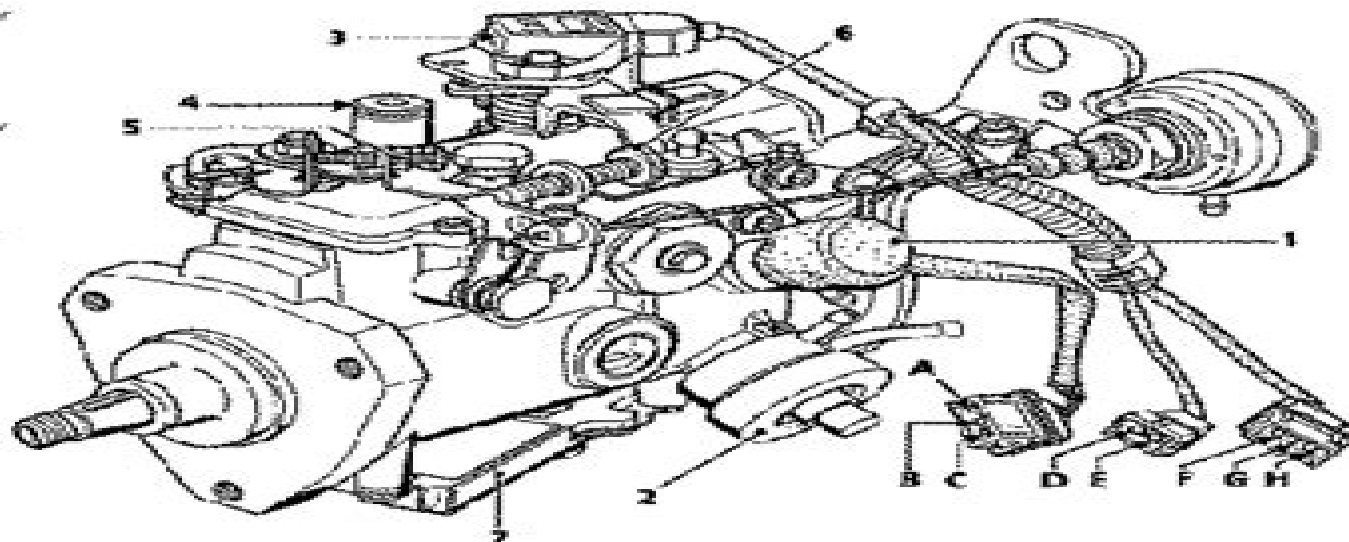


1.2a Bosch fuel injection pump components

- 1 Injection advance corrector
- 2 Boost pressure corrector
- 3 Accelerator lever potentiometer
- 4 Timing inspection plug
- 5 Idle adjustment screw
- 6 Anti-stall adjustment screw
- 7 Coded solenoid valve electronic unit
- A Earth
- B = after ignition feed
- C Coded line
- D Advance corrector control
- E = after ignition feed
- F Earth
- G Accelerator lever signal
- H Accelerator lever potentiometer 5V feed



1.2b Lucas fuel injection pump components

Renault Megane Engine Diagram

Jeremy Churchill



Renault Megane Engine Diagram:

Smart Graphics Andreas Butz, Brian Fisher, Antonio Krüger, Patrick Olivier, 2005-08-25 The International Symposium on Smart Graphics 2005 was held from August 22-24, 2005 in the cloister Frauenwirth on the island of Frauenchiemsee, Germany. *Smart Graphics*, 2005. [IJCAI](#), 2007. **The New York Times Index**, 1995. **Renault Megane & Scenic** Peter Gill, A. K. Legg, 2002. Megane Hatchback Saloon Classic Coupe not Cabriolet inc special limited editions Apr 99-02 Scenic MPV not RX4 inc special limited editions Aug 99-02. Petrol 1.4 litre 1390cc 1.6 litre 1598cc 2.0 litre 1998cc. Does NOT cover 2.0 litre IDE or 1.8 litre petrol engines. Diesel 1.9 litre 1870cc inc turbo. *Renault Megane Service & Repair Manual*. A. K. Legg, 1997. **Renault Megane** Mark Storey, 2015. **Renault Mégane Petrol and Diesel Service and Repair Manual** R. M. Jex, A. K. Legg, 2011. Hatchback Saloon Estate Tourer. Does NOT cover models with 2.0 litre petrol or 2.0 litre diesel engines. Renault sport models or features specific to Coupe Cabriolet. Does NOT cover new Megane range introduced Oct 2008. Petrol engines 1.4 litre 1390cc 1.6 litre 1598cc Diesel engines 1.5 litre 1461cc 1.9 litre 1870cc dCi. *Renault Megane & Scenic (99-02) Service & Repair Manual* Peter Gill, 2002. [Renault Megane and Scenic Service and Repair Manual](#) Andrew Kirk Legg, Jeremy Churchill, Mark Coombs, 1998. **Renault Megane and Scenic Petrol and Diesel Service and Repair Manual** Jeremy Churchill, 2006. Hatchback Saloon Classic Coupe 96 Mar 99 and Scenic 97 July 99 inc special limited editions. Does NOT cover Cabriolet models. Petrol 1.4 litre 1390cc 1.6 litre 1598cc 2.0 litre 1998cc Diesel 1.9 litre 1870cc inc turbo. **Renault Megane** R. M. Jex, 2005. With a Haynes manual you can do it yourself! From simple maintenance to basic repairs. Haynes writes every book based on a complete teardown of the motorcycle. We learn the best ways to do a job and that makes it quicker, easier, and cheaper for you. Our books have clear instructions and hundreds of photographs that show each step. Whether you're a beginner or a pro, you can save big with Haynes. Step-by-step procedures. Easy-to-follow photos. Complete troubleshooting section. Valuable short-cuts. Color spark plug diagnosis. Complete coverage for your Honda XR250L 1991 thru 1996 XR250R 1986 thru 2004 and XR400R 1996 thru 2004. Routine Maintenance. Tune-up procedures. Engine clutch and transmission repair. Cooling system. Fuel and exhaust. Emissions control. Ignition and electrical systems. Brakes, wheels, and tires. Steering, suspension, and final drive. Frame and bodywork. Wiring diagrams. **Renault Megane & Scenic Service & Repair Manual** Andrew Kirk Legg, 1998. **Renault Scenic and Megane Service and Repair Manual**, 2015-04. *Engine Working Diagrams and Arrangements* W. A. Stanier, Great Western Railway Mechanics' Institution, Swindon Engineering Society, 1912.

Yeah, reviewing a ebook **Renault Megane Engine Diagram** could ensue your near associates listings. This is just one of the solutions for you to be successful. As understood, achievement does not recommend that you have extraordinary points.

Comprehending as with ease as understanding even more than additional will have enough money each success. adjacent to, the message as skillfully as insight of this Renault Megane Engine Diagram can be taken as skillfully as picked to act.

https://py.bijouxmedusa.com/About/book-search/fetch.php/by_bruce_alberts_molecular_biology_of_the_cell_6th_edition_hardcover.pdf

Table of Contents Renault Megane Engine Diagram

1. Understanding the eBook Renault Megane Engine Diagram
 - The Rise of Digital Reading Renault Megane Engine Diagram
 - Advantages of eBooks Over Traditional Books
2. Identifying Renault Megane Engine Diagram
 - Exploring Different Genres
 - Considering Fiction vs. Non-Fiction
 - Determining Your Reading Goals
3. Choosing the Right eBook Platform
 - Popular eBook Platforms
 - Features to Look for in an Renault Megane Engine Diagram
 - User-Friendly Interface
4. Exploring eBook Recommendations from Renault Megane Engine Diagram
 - Personalized Recommendations
 - Renault Megane Engine Diagram User Reviews and Ratings
 - Renault Megane Engine Diagram and Bestseller Lists
5. Accessing Renault Megane Engine Diagram Free and Paid eBooks
 - Renault Megane Engine Diagram Public Domain eBooks

- Renault Megane Engine Diagram eBook Subscription Services
- Renault Megane Engine Diagram Budget-Friendly Options
- 6. Navigating Renault Megane Engine Diagram eBook Formats
 - ePub, PDF, MOBI, and More
 - Renault Megane Engine Diagram Compatibility with Devices
 - Renault Megane Engine Diagram Enhanced eBook Features
- 7. Enhancing Your Reading Experience
 - Adjustable Fonts and Text Sizes of Renault Megane Engine Diagram
 - Highlighting and Note-Taking Renault Megane Engine Diagram
 - Interactive Elements Renault Megane Engine Diagram
- 8. Staying Engaged with Renault Megane Engine Diagram
 - Joining Online Reading Communities
 - Participating in Virtual Book Clubs
 - Following Authors and Publishers Renault Megane Engine Diagram
- 9. Balancing eBooks and Physical Books Renault Megane Engine Diagram
 - Benefits of a Digital Library
 - Creating a Diverse Reading Collection Renault Megane Engine Diagram
- 10. Overcoming Reading Challenges
 - Dealing with Digital Eye Strain
 - Minimizing Distractions
 - Managing Screen Time
- 11. Cultivating a Reading Routine Renault Megane Engine Diagram
 - Setting Reading Goals Renault Megane Engine Diagram
 - Carving Out Dedicated Reading Time
- 12. Sourcing Reliable Information of Renault Megane Engine Diagram
 - Fact-Checking eBook Content of Renault Megane Engine Diagram
 - Distinguishing Credible Sources
- 13. Promoting Lifelong Learning
 - Utilizing eBooks for Skill Development
 - Exploring Educational eBooks

14. Embracing eBook Trends

- Integration of Multimedia Elements
- Interactive and Gamified eBooks

Renault Megane Engine Diagram Introduction

In this digital age, the convenience of accessing information at our fingertips has become a necessity. Whether its research papers, eBooks, or user manuals, PDF files have become the preferred format for sharing and reading documents. However, the cost associated with purchasing PDF files can sometimes be a barrier for many individuals and organizations. Thankfully, there are numerous websites and platforms that allow users to download free PDF files legally. In this article, we will explore some of the best platforms to download free PDFs. One of the most popular platforms to download free PDF files is Project Gutenberg. This online library offers over 60,000 free eBooks that are in the public domain. From classic literature to historical documents, Project Gutenberg provides a wide range of PDF files that can be downloaded and enjoyed on various devices. The website is user-friendly and allows users to search for specific titles or browse through different categories. Another reliable platform for downloading Renault Megane Engine Diagram free PDF files is Open Library. With its vast collection of over 1 million eBooks, Open Library has something for every reader. The website offers a seamless experience by providing options to borrow or download PDF files. Users simply need to create a free account to access this treasure trove of knowledge. Open Library also allows users to contribute by uploading and sharing their own PDF files, making it a collaborative platform for book enthusiasts. For those interested in academic resources, there are websites dedicated to providing free PDFs of research papers and scientific articles. One such website is Academia.edu, which allows researchers and scholars to share their work with a global audience. Users can download PDF files of research papers, theses, and dissertations covering a wide range of subjects. Academia.edu also provides a platform for discussions and networking within the academic community. When it comes to downloading Renault Megane Engine Diagram free PDF files of magazines, brochures, and catalogs, Issuu is a popular choice. This digital publishing platform hosts a vast collection of publications from around the world. Users can search for specific titles or explore various categories and genres. Issuu offers a seamless reading experience with its user-friendly interface and allows users to download PDF files for offline reading. Apart from dedicated platforms, search engines also play a crucial role in finding free PDF files. Google, for instance, has an advanced search feature that allows users to filter results by file type. By specifying the file type as "PDF," users can find websites that offer free PDF downloads on a specific topic. While downloading Renault Megane Engine Diagram free PDF files is convenient, its important to note that copyright laws must be respected. Always ensure that the PDF files you download are legally available for free. Many authors and publishers voluntarily provide free PDF versions of their work, but its essential to

be cautious and verify the authenticity of the source before downloading Renault Megane Engine Diagram. In conclusion, the internet offers numerous platforms and websites that allow users to download free PDF files legally. Whether its classic literature, research papers, or magazines, there is something for everyone. The platforms mentioned in this article, such as Project Gutenberg, Open Library, Academia.edu, and Issuu, provide access to a vast collection of PDF files. However, users should always be cautious and verify the legality of the source before downloading Renault Megane Engine Diagram any PDF files. With these platforms, the world of PDF downloads is just a click away.

FAQs About Renault Megane Engine Diagram Books

How do I know which eBook platform is the best for me? Finding the best eBook platform depends on your reading preferences and device compatibility. Research different platforms, read user reviews, and explore their features before making a choice. Are free eBooks of good quality? Yes, many reputable platforms offer high-quality free eBooks, including classics and public domain works. However, make sure to verify the source to ensure the eBook credibility. Can I read eBooks without an eReader? Absolutely! Most eBook platforms offer web-based readers or mobile apps that allow you to read eBooks on your computer, tablet, or smartphone. How do I avoid digital eye strain while reading eBooks? To prevent digital eye strain, take regular breaks, adjust the font size and background color, and ensure proper lighting while reading eBooks. What the advantage of interactive eBooks? Interactive eBooks incorporate multimedia elements, quizzes, and activities, enhancing the reader engagement and providing a more immersive learning experience. Renault Megane Engine Diagram is one of the best book in our library for free trial. We provide copy of Renault Megane Engine Diagram in digital format, so the resources that you find are reliable. There are also many Ebooks of related with Renault Megane Engine Diagram. Where to download Renault Megane Engine Diagram online for free? Are you looking for Renault Megane Engine Diagram PDF? This is definitely going to save you time and cash in something you should think about.

Find Renault Megane Engine Diagram :

by bruce alberts molecular biology of the cell 6th edition hardcover

~~business configuration sap~~

bruce lee striking thoughts library

brian evenson peter straub

business law lee mei pheng

~~bootloader source code for atmega328p using stk500 for microsoft windows including makefile and test program~~

business and competitive analysis effective application of new and classic methods 2nd edition

~~business math excel applications answers~~

brecht on theatre the development of an aesthetic

bus reservation system project requirement documentation

business mathematics and statistics jk thukral

bosch maxx 7 sensitive

bosch alternator wiring volvo penta

business forecasting 9th edition hanke

building and civil technology question paper n3

Renault Megane Engine Diagram :

The Cell: A Molecular Approach, Fifth Edition The Cell presents current comprehensive science in a readable and cohesive text that students can master in the course of one semester. The Cell: A Molecular Approach, Fifth Edition 5th ... The Cell: A Molecular Approach, Fifth Edition 5th edition by Geoffrey M. Cooper, Robert E. Hausman (2009) Hardcover on Amazon.com. The Cell: A Molecular Approach, Fifth Edition - Hardcover The Cell: A Molecular Approach, Fifth Edition by Cooper, Geoffrey M.; Hausman, Robert E. - ISBN 10: 087893300X - ISBN 13: 9780878933006 - Sinauer Associates ... The Cell: A Molecular Approach 5th edition by Cooper Sinauer Associates Inc, USA, 2009. Fifth Edition. Hardcover. Very Good Condition. Text appears clean. Cover has wear and corner bumps. The Cell - Geoffrey Cooper; Kenneth Adams Oct 26, 2022 — The Cell: A Molecular Approach is an ideal resource for undergraduate students in a one-semester introduction to cell biology. The Cell: A Molecular Approach, Fifth Edition by Geoffrey M ... The Cell: A Molecular Approach, Fifth Edition. by Geoffrey M. Cooper; Robert E. Hausman. Used; as new; Hardcover. Condition: As New/No Jacket As Issued ... The Cell - NCBI Bookshelf The Cell, 2nd edition. A Molecular Approach. Geoffrey M Cooper. Author Information and Affiliations ... The cell : a molecular approach | WorldCat.org The cell : a molecular approach ; Authors: Geoffrey M. Cooper, Robert E. Hausman ; Edition: 5th ed View all formats and editions ; Publisher: ASM Press ; Sinauer ... The cell : a molecular approach / Geoffrey M. Cooper. Book. 5 versions/editions of this title exist. See all editions/versions. ; The cell : a molecular approach / Geoffrey M. Cooper. ; Cooper, Geoffrey M. ; ; ... Prometric Online Sample Test Prometric Online Tutorial. You are about to take the Prometric Online tutorial. This tutorial is a demonstration of how our computer-based test works. Prometric Sample Questions - CHARLES 1. A nurse is assessing a client 8 hours after the creation of a colostomy. · 2. When admitting a client who is in labor to the birthing unit, a nurse asks the ... Nurse Aide Practice Exams Written Exam Practice Test. 3 different versions (50

questions with feedback, source material and textbook references) available for \$15 each; or; 1 SUPER ... Prometric Exam Questions | PrometricMCQ.com Dec 22, 2022 — We provide a wide range of Prometric Exam Questions (MCQs) to prepare for DHA Exam, DHCC Exam, Haad Exam and others for an affordable price. Practice Exams This is a practice test for the Washington Department of Health Certified Home Care Aide Exam. Each question is true false. One question contains an image ... Prometric Online Sample Test The Prometric ABO Online Exam Tutorial is an orientation to how the Prometric computer-based test (CBT) operates. Sample questions ... This online exam tutorial ... Prometric mock test questions 4 A. "It seems that way to me, too." B. "What is your perception of my behavior?" C. "Are you uncomfortable with what you were told?" D. "I'd rather not give my ... Prometric Exam Questions 2022 | Guidelines Jan 27, 2022 — MOH exams are basically computer-based. It will be multiple-choice questions in English. From the 4 options, you have to choose the proper one. CARRIAGE CAMEO OWNER'S MANUAL Pdf Download View and Download Carriage Cameo owner's manual online. Cameo motorhomes pdf manual download ... Important Fifth Wheel Slide out Operating Instructions · Coach. Carriage Cameo Owner's Manual Carriage Cameo Pdf User Manuals. View online or download Carriage Cameo Owner's Manual. ... Important Fifth Wheel Slide out Operating Instructions. 45. Coach. 46. OWNER MANUALS, BROCHURES, & DOC'S DOWNLOADS CARRIAGE FACTORY TECHNICIAN REPAIR MANUALS. Files are in PDF format. Over 300 Repair & Maintenance Documents and Schematics, plus (If available) Carriage Inc. CAMEO by Carriage 5th Wheel Travel Trailer RV Manual CAMEO by Carriage 5th Wheel Travel Trailer RV Manual - 350 pages with Camper Appliance Service Operation & Repair. wrenchmasters. Carriage owners manual - Good Sam Community - 2023621 Nov 26, 2023 — Anyone know where I can get a 1998 Carriage Conestoga owners manual ? - 2023621. I need an owners manual and a wiring diagram for a 2010 Oct 14, 2021 — I need an owners manual and a wiring diagram for a 2010 Carriage cameo 37sk3 fifth wheel - Answered by a verified RV Mechanic. CAMEO by Carriage Trailer 5th Wheel Operations Manual ... CAMEO by Carriage Trailer 5th Wheel Operations Manual RV 350pg w/ Camper Service ; Item Number. 134655229167 ; Accurate description. 4.8 ; Reasonable shipping cost. 2001 Carriage Cameo LXI F35KS3 Aug 19, 2018 — We purchased a used Carriage Cameo F35KS3. I am trying to find some manuals on the fifth wheel so we can understand what some of the things ... AVAILABLE CARRIAGE-LIFESTYLE DOCUMENTS & FILES ... This is a list of the Amenities of the Owners Club & Forum and Documents & Files related to Carriage & Lifestyle 5th Wheel RV's . The Docs & files are ... Owner Manuals OWNER'S MANUALS · Click To Download Manuals · Most Recent Owner's Manual · Owner's Manuals Archive. 2014 Owners Manual · 2015 Carriage 2 Year Owners Manual ...