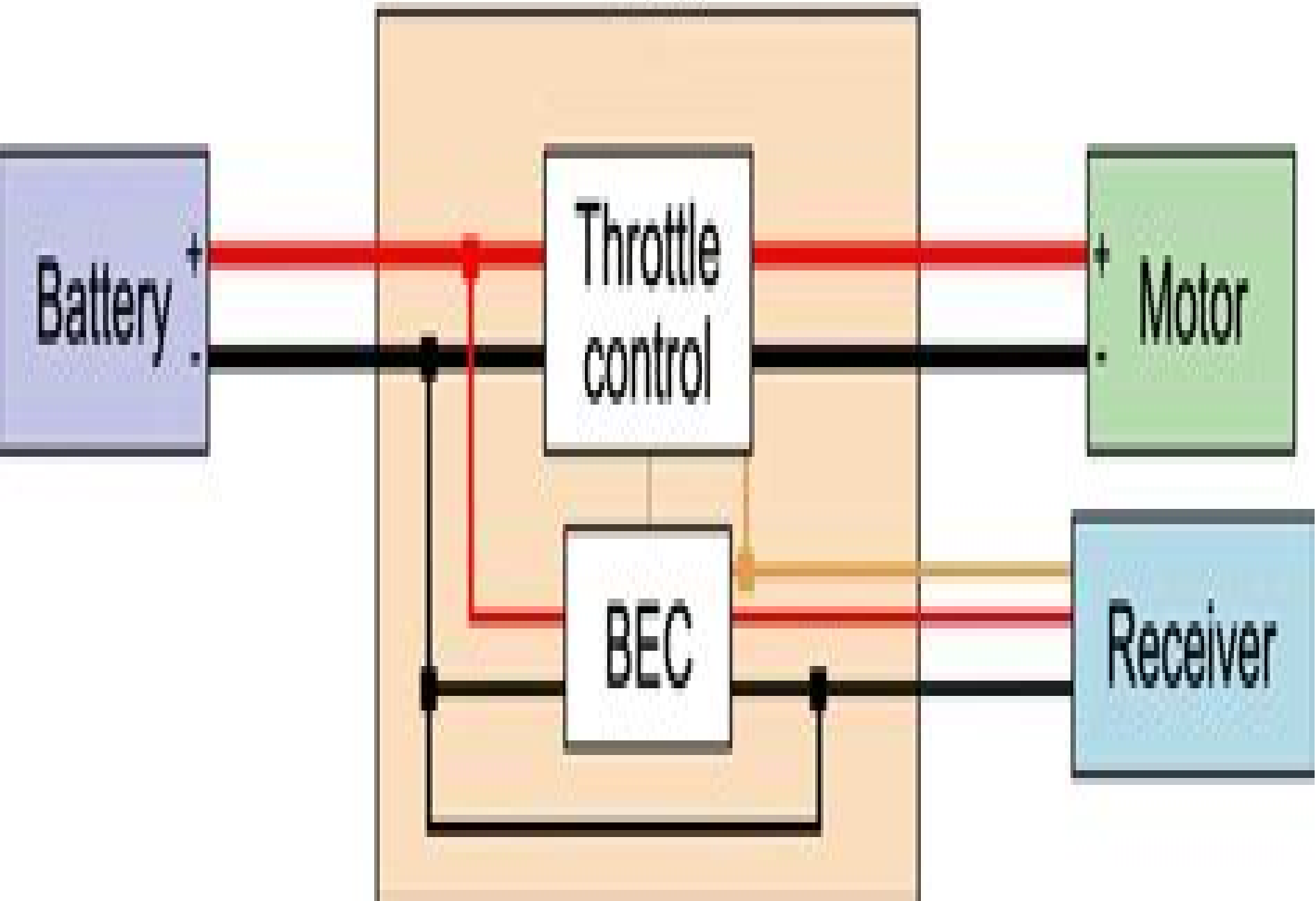


ESC



E Speed Controller Esc Please Note Wiring

BM King



E Speed Controller Esc Please Note Wiring:

Digital Circuit Design Laboratory Manual, 4th edition (Global) Akhan Almagambetov, J. Matt Pavlina, Yelena Mukhortova,

Springer Handbook of Automation Shimon Y. Nof, 2023-06-16 This handbook incorporates new developments in automation It also presents a widespread and well structured conglomeration of new emerging application areas such as medical systems and health transportation security and maintenance service construction and retail as well as production or logistics The handbook is not only an ideal resource for automation experts but also for people new to this expanding field

Laser Propulsion in Space Claude Phipps, 2024-06-04 Space launches have evoked the same vivid image for decades bright orange flames exploding beneath a rocket as it lifts off and thunders into the sky An alternative acceleration system could reshape that vision forever with rockets leaving their energy source on the ground or in space *Laser Propulsion in Space Fundamentals Technology and Future Missions* takes readers on a comprehensive journey from the theoretical overview of propulsion fundamentals to reviews of current projects involving high power CW fiber lasers and energetic mm wave sources with their ongoing and potential end use applications in beamed energy propulsion BEP Written by experts in the field this mathematically sound reference text also highlights graphical solutions of equations results as well as case studies with worked out examples making this book an invaluable compendium for students researchers technology developers and futurists in understanding the promise and challenges of this emerging technology Covers beamed energy propulsion advances Highlights state of the art BEP applications of LEO debris removal suborbital and orbital launch solar system exploration and interstellar lightsail probes as well as advances in related photon source technologies and infrastructures Includes opinion sections explaining why we as a technical society should care about each chapter s topic and the considerably good outcomes that can be achieved with laser engines Is accompanied by a website with video clips and other ancillary materials to enhance insight Arduino in Action Jordan Hochenbaum, Joshua Noble, Martin

Evans, 2013-05-29 Summary Arduino in Action is a hands on guide to prototyping and building electronics using the Arduino platform Suitable for both beginners and advanced users this easy to follow book begins with the basics and then systematically guides you through projects ranging from your first blinking LED through connecting Arduino to devices like game controllers or your iPhone About the Technology Arduino is an open source do it yourself electronics platform that supports a mind boggling collection of sensors and actuators you can use to build anything you can imagine Even if you ve never attempted a hardware project this easy to follow book will guide you from your first blinking LED through connecting Arduino to your iPhone About this Book Arduino in Action is a hands on guide to prototyping and building DIY electronics You ll start with the basics unpacking your board and using a simple program to make something happen Then you ll attempt progressively more complex projects as you connect Arduino to motors LCD displays Wi Fi GPS and Bluetooth You ll explore input output sensors including ultrasound infrared and light and then use them for tasks like robotic obstacle avoidance

Arduino programs look a lot like C or C++ so some programming skill is helpful What's Inside Getting started with Arduino no experience required Writing programs for Arduino Sensing and responding to events Robots flying vehicles Twitter machines LCD displays and more Purchase of the print book includes a free eBook in PDF Kindle and ePub formats from Manning Publications About the Authors Martin Evans is a professional developer a lifelong electronics enthusiast and the creator of an Arduino based underwater ROV Joshua Noble is an author and creative technologist who works with smart spaces Jordan Hochenbaum uses Arduino to explore musical expression and creative interaction Table of Contents Part 1 Getting started Chapter 1 Hello Arduino Chapter 2 Digital input and output Chapter 3 Simple projects input and output Part 2 Putting Arduino to work Chapter 4 Extending Arduino Chapter 5 Arduino in motion Chapter 6 Object detection Chapter 7 LCD displays Chapter 8 Communications Chapter 9 Game on Chapter 10 Integrating the Arduino with iOS Chapter 11 Making wearables Chapter 12 Adding shields Chapter 13 Software integration **Chilton's General Motors**

Cavalier/Sunbird/Skyhawk/Firenza 1982-94 Repair Manual Matthew E. Frederick,1999 **Internet of Drones** Saravanan Krishnan,M. Murugappan,2023-05-15 This book covers different aspects of Internet of Drones IoD including fundamentals in drone design deployment challenges and development of applications It starts with a detailed description of concepts and processes in designing an efficient system and architecture It details different applications of IoD and its implementations in smart cities agriculture health care defense security logistics GIS mapping and so forth Recent developments in IoD design application of AI techniques case studies and future directions are covered Features Focuses on important perspectives of the Internet of Drones IoD Emphasizes drone deployment in smart cities smart agriculture smart health care and 3D mapping Covers challenges in drone design for applications with security and privacy issues Reviews diversified drone applications with real use cases from modern drone players ranging from start up companies to big giants in the drone industry Includes different aspects of drone design such as hardware and software architecture potential applications and opportunities This book is aimed at researchers and professionals in computer sciences electronics and communication engineering and aeronautical engineering Chilton's Auto Repair Manual 1989-1993 ,1992-10 Documents

specifications repairs and servicing procedures for individual models and provides information on component repair and overhaul **Chilton's Repair Manual** Dean Morgantini,Richard J. Rivele,1991 Chilton's Auto Repair Manual, 1991 Chilton Book Company,1990 Chilton's Auto Repair Manual 1982 Alan F. Turner,1981 Chilton's GM ,1996 Covers all models of Cadillac Cimarron Chevrolet Cavalier Buick Skyhawk Oldsmobile Firenza and Pontiac 2000 Sunbird Sunfire

Automotive Computers and Digital Instrumentation Robert N. Brady,1988 **Chilton's Auto Repair Manual 1986** Chilton Book Company,1985 *GM Celebrity, Century, Ciera and 6000, 1982-96* Chilton,Np-Chilton,1999-03 Offers do it yourselfers all levels of total maintenance service and repair information for these popular GM models 800 illustrations 500 photos Popular Electronics ,1976 *Commerce Business Daily* ,1998-07 *Radio-electronics* ,1976 Electronic

Design ,1985

Air Trails Pictorial ,1963

The Federal Cases ,1897

Right here, we have countless books **E Speed Controller Esc Please Note Wiring** and collections to check out. We additionally have the funds for variant types and after that type of the books to browse. The enjoyable book, fiction, history, novel, scientific research, as without difficulty as various additional sorts of books are readily within reach here.

As this E Speed Controller Esc Please Note Wiring, it ends up physical one of the favored book E Speed Controller Esc Please Note Wiring collections that we have. This is why you remain in the best website to look the amazing ebook to have.

https://py.bijouxmedusa.com/files/book-search/Documents/daihatsu_yrv_k3_ve_engine.pdf

Table of Contents E Speed Controller Esc Please Note Wiring

1. Understanding the eBook E Speed Controller Esc Please Note Wiring
 - The Rise of Digital Reading E Speed Controller Esc Please Note Wiring
 - Advantages of eBooks Over Traditional Books
2. Identifying E Speed Controller Esc Please Note Wiring
 - Exploring Different Genres
 - Considering Fiction vs. Non-Fiction
 - Determining Your Reading Goals
3. Choosing the Right eBook Platform
 - Popular eBook Platforms
 - Features to Look for in an E Speed Controller Esc Please Note Wiring
 - User-Friendly Interface
4. Exploring eBook Recommendations from E Speed Controller Esc Please Note Wiring
 - Personalized Recommendations
 - E Speed Controller Esc Please Note Wiring User Reviews and Ratings
 - E Speed Controller Esc Please Note Wiring and Bestseller Lists
5. Accessing E Speed Controller Esc Please Note Wiring Free and Paid eBooks
 - E Speed Controller Esc Please Note Wiring Public Domain eBooks

- E Speed Controller Esc Please Note Wiring eBook Subscription Services
- E Speed Controller Esc Please Note Wiring Budget-Friendly Options
- 6. Navigating E Speed Controller Esc Please Note Wiring eBook Formats
 - ePub, PDF, MOBI, and More
 - E Speed Controller Esc Please Note Wiring Compatibility with Devices
 - E Speed Controller Esc Please Note Wiring Enhanced eBook Features
- 7. Enhancing Your Reading Experience
 - Adjustable Fonts and Text Sizes of E Speed Controller Esc Please Note Wiring
 - Highlighting and Note-Taking E Speed Controller Esc Please Note Wiring
 - Interactive Elements E Speed Controller Esc Please Note Wiring
- 8. Staying Engaged with E Speed Controller Esc Please Note Wiring
 - Joining Online Reading Communities
 - Participating in Virtual Book Clubs
 - Following Authors and Publishers E Speed Controller Esc Please Note Wiring
- 9. Balancing eBooks and Physical Books E Speed Controller Esc Please Note Wiring
 - Benefits of a Digital Library
 - Creating a Diverse Reading Collection E Speed Controller Esc Please Note Wiring
- 10. Overcoming Reading Challenges
 - Dealing with Digital Eye Strain
 - Minimizing Distractions
 - Managing Screen Time
- 11. Cultivating a Reading Routine E Speed Controller Esc Please Note Wiring
 - Setting Reading Goals E Speed Controller Esc Please Note Wiring
 - Carving Out Dedicated Reading Time
- 12. Sourcing Reliable Information of E Speed Controller Esc Please Note Wiring
 - Fact-Checking eBook Content of E Speed Controller Esc Please Note Wiring
 - Distinguishing Credible Sources
- 13. Promoting Lifelong Learning
 - Utilizing eBooks for Skill Development
 - Exploring Educational eBooks

14. Embracing eBook Trends

- Integration of Multimedia Elements
- Interactive and Gamified eBooks

E Speed Controller Esc Please Note Wiring Introduction

In the digital age, access to information has become easier than ever before. The ability to download E Speed Controller Esc Please Note Wiring has revolutionized the way we consume written content. Whether you are a student looking for course material, an avid reader searching for your next favorite book, or a professional seeking research papers, the option to download E Speed Controller Esc Please Note Wiring has opened up a world of possibilities. Downloading E Speed Controller Esc Please Note Wiring provides numerous advantages over physical copies of books and documents. Firstly, it is incredibly convenient. Gone are the days of carrying around heavy textbooks or bulky folders filled with papers. With the click of a button, you can gain immediate access to valuable resources on any device. This convenience allows for efficient studying, researching, and reading on the go. Moreover, the cost-effective nature of downloading E Speed Controller Esc Please Note Wiring has democratized knowledge. Traditional books and academic journals can be expensive, making it difficult for individuals with limited financial resources to access information. By offering free PDF downloads, publishers and authors are enabling a wider audience to benefit from their work. This inclusivity promotes equal opportunities for learning and personal growth. There are numerous websites and platforms where individuals can download E Speed Controller Esc Please Note Wiring. These websites range from academic databases offering research papers and journals to online libraries with an expansive collection of books from various genres. Many authors and publishers also upload their work to specific websites, granting readers access to their content without any charge. These platforms not only provide access to existing literature but also serve as an excellent platform for undiscovered authors to share their work with the world. However, it is essential to be cautious while downloading E Speed Controller Esc Please Note Wiring. Some websites may offer pirated or illegally obtained copies of copyrighted material. Engaging in such activities not only violates copyright laws but also undermines the efforts of authors, publishers, and researchers. To ensure ethical downloading, it is advisable to utilize reputable websites that prioritize the legal distribution of content. When downloading E Speed Controller Esc Please Note Wiring, users should also consider the potential security risks associated with online platforms. Malicious actors may exploit vulnerabilities in unprotected websites to distribute malware or steal personal information. To protect themselves, individuals should ensure their devices have reliable antivirus software installed and validate the legitimacy of the websites they are downloading from. In conclusion, the ability to download E Speed Controller Esc Please Note Wiring has transformed the way we access information. With the convenience, cost-effectiveness, and accessibility it offers, free PDF downloads have become a popular

choice for students, researchers, and book lovers worldwide. However, it is crucial to engage in ethical downloading practices and prioritize personal security when utilizing online platforms. By doing so, individuals can make the most of the vast array of free PDF resources available and embark on a journey of continuous learning and intellectual growth.

FAQs About E Speed Controller Esc Please Note Wiring Books

How do I know which eBook platform is the best for me? Finding the best eBook platform depends on your reading preferences and device compatibility. Research different platforms, read user reviews, and explore their features before making a choice. Are free eBooks of good quality? Yes, many reputable platforms offer high-quality free eBooks, including classics and public domain works. However, make sure to verify the source to ensure the eBook credibility. Can I read eBooks without an eReader? Absolutely! Most eBook platforms offer webbased readers or mobile apps that allow you to read eBooks on your computer, tablet, or smartphone. How do I avoid digital eye strain while reading eBooks? To prevent digital eye strain, take regular breaks, adjust the font size and background color, and ensure proper lighting while reading eBooks. What the advantage of interactive eBooks? Interactive eBooks incorporate multimedia elements, quizzes, and activities, enhancing the reader engagement and providing a more immersive learning experience. E Speed Controller Esc Please Note Wiring is one of the best book in our library for free trial. We provide copy of E Speed Controller Esc Please Note Wiring in digital format, so the resources that you find are reliable. There are also many Ebooks of related with E Speed Controller Esc Please Note Wiring. Where to download E Speed Controller Esc Please Note Wiring online for free? Are you looking for E Speed Controller Esc Please Note Wiring PDF? This is definitely going to save you time and cash in something you should think about. If you trying to find then search around for online. Without a doubt there are numerous these available and many of them have the freedom. However without doubt you receive whatever you purchase. An alternate way to get ideas is always to check another E Speed Controller Esc Please Note Wiring. This method for see exactly what may be included and adopt these ideas to your book. This site will almost certainly help you save time and effort, money and stress. If you are looking for free books then you really should consider finding to assist you try this. Several of E Speed Controller Esc Please Note Wiring are for sale to free while some are payable. If you arent sure if the books you would like to download works with for usage along with your computer, it is possible to download free trials. The free guides make it easy for someone to free access online library for download books to your device. You can get free download on free trial for lots of books categories. Our library is the biggest of these that have literally hundreds of thousands of different products categories represented. You will also see that there are specific sites catered to different product types or categories, brands or niches related with E Speed Controller Esc Please Note Wiring. So depending on what exactly you are searching, you will be able to choose e

books to suit your own need. Need to access completely for Campbell Biology Seventh Edition book? Access Ebook without any digging. And by having access to our ebook online or by storing it on your computer, you have convenient answers with E Speed Controller Esc Please Note Wiring To get started finding E Speed Controller Esc Please Note Wiring, you are right to find our website which has a comprehensive collection of books online. Our library is the biggest of these that have literally hundreds of thousands of different products represented. You will also see that there are specific sites catered to different categories or niches related with E Speed Controller Esc Please Note Wiring So depending on what exactly you are searching, you will be able to choose ebook to suit your own need. Thank you for reading E Speed Controller Esc Please Note Wiring. Maybe you have knowledge that, people have search numerous times for their favorite readings like this E Speed Controller Esc Please Note Wiring, but end up in harmful downloads. Rather than reading a good book with a cup of coffee in the afternoon, instead they juggled with some harmful bugs inside their laptop. E Speed Controller Esc Please Note Wiring is available in our book collection an online access to it is set as public so you can download it instantly. Our digital library spans in multiple locations, allowing you to get the most less latency time to download any of our books like this one. Merely said, E Speed Controller Esc Please Note Wiring is universally compatible with any devices to read.

Find E Speed Controller Esc Please Note Wiring :

daihatsu yrv k3 ve engine

db2 purescale architecture ibm

deliverance and spiritual warfare

david attenborough sats type comprehension by

daily devotional winners chapel nairobi

current protein and peptide science 2016 17 000 000 1

denim and lace

definitions conversions and calculations for occupational safety and health professionals third edition definitions conversions

calculations for occupational safety health professionals

daily lesson plan for the struggling writer and speller

daily use english sentences pdf jansbooksz

daily warm up exercises for saxophone saxophone

dentistry stat ref

david myers psychology study guide

data communications and networking fifth edition

[deep learning algorithms for signal recognition in long](#)

E Speed Controller Esc Please Note Wiring :

results for calculating potential and kinetic energy tpt - Sep 22 2021

kinetic energy calculator - May 31 2022

web kinetic and potential energy worksheet with answer key this practice assignment allows the students to apply the idea of conservation of energy means using the mathematics

calculating kinetic and potential energy pdf scribd - Dec 06 2022

web solve the following word problems using the kinetic and potential energy formulas be sure to show your work formulas
 $ke = \frac{1}{2} m v^2$ or $pe = m g h$

what is kinetic energy article khan academy - Feb 08 2023

web correct formula to use $ke = \frac{1}{2} m v^2$ or $pe = mgh$ show your work in the space provided or on the back of this sheet 1 a 10 gram ball is rolling at 3 m/s the ball has

kinetic and potential energy worksheet answer key scribd - Oct 24 2021

[kinetic and potential energy worksheet middle](#) - Jan 07 2023

web kinetic and potential energy worksheet name determine whether the objects in the following problems have kinetic or potential

results for potential and kinetic energy calculating tpt - Feb 25 2022

web this quiz includes solving motion problems using potential energy and kinetic energy which is part of the energy conservation assuming no friction there are 10 problems

kinetic and potential energy worksheet key g 9 debou - Sep 03 2022

web aug 14 2023 if you want to check what potential energy is and how to calculate it use our potential energy calculator the work energy theorem it turns out that kinetic

potential energy article energy khan academy - Apr 10 2023

web $w_{net} = \Delta k$ this result is known as the work energy theorem and applies quite generally even with forces that vary in direction and magnitude it is important in the study of conservation of energy and conservative forces what is

okm882hb mrs schneider s science home page - May 11 2023

web key points potential energy is energy that has the potential to become another form of energy an object's potential

energy depends on its physical properties and position in

calculating kinetic and potential energy teaching resources tpt - Apr 29 2022

web in this lab activity students calculate the kinetic and potential energy of a toy car includes student lab worksheet

discussion questions teacher directions and answer key

results for potential and kinetic energy worksheet and answer key - Jan 27 2022

web kinetic and potential energy worksheet classify the following as a type of potential energy or kinetic energy use the

letters k or p 1 a bicyclist pedaling up a hill k

calculating kinetic and potential energy problems tpt - Nov 24 2021

calculating potential and kinetic energy answer key - Dec 26 2021

web topics include what is energy kinetic energy ke potential energy pe the 9 types of energy as well as energy

transformations product contents pages 1 2 what is

potential energy questions practice questions with answers - Aug 02 2022

web topics include what is energy kinetic energy ke potential energy pe the 9 types of energy as well as energy

transformations product contents pages 1 2 what is

kinetic and potential energy worksheet answer key - Oct 04 2022

web a series of free science lessons for 7th grade and 8th grade ks3 and checkpoint science in preparation for gcse and igcse

science kinetic energy the energy of speed and

calculating ke and pe key pdf kinetic and potential - Nov 05 2022

web 1 what is the formula to calculate the gravitational potential energy the gravitational potential energy is given by the

formula $u = mgh$ 2 stretching of the rubber band is an

energy calculations energy ks3 physics bbc bitesize bbc - Jun 12 2023

web the formula for calculating kinetic energy is 13 the two factors that determine the amount of kinetic energy in an object

are and 14 kinetic energy is measured in units of 15

potential and kinetic energy math is fun - Mar 09 2023

web kinetic and potential energy worksheet name key determine whether the objects in the following

kinetic and potential energy examples answers activities - Jul 01 2022

web displaying top 8 worksheets found for kinetic and potential energy answer key some of the worksheets for this concept

are what is energy potential energy work with

kinetic and potential energy answer key learny kids - Mar 29 2022

web recognizing the quirk ways to acquire this book calculating potential and kinetic energy answer key is additionally useful you have remained in right site to start getting this

kinetic and potential energy worksheets easy teacher - Jul 13 2023

web use the following equation to calculate the amount of energy in the kinetic energy store of a moving object energy in the kinetic energy store $ek = 0.5 \times \text{mass } m \times \text{velocity}^2 v^2$

calculating kinetic energy kinetic and gravitational - Aug 14 2023

web gcse ccea kinetic and gravitational potential energy in this ccea gcse physics quiz you can test your knowledge of kinetic and gravitational potential energy you can also

social worker recommendation letter letter samples livecareer - Jan 08 2023

web click to view livecareer s professional social worker recommendation letters let our experts teach you the best way to write your own powerful recommendation letter

[a recommendation letter for a social worker work chron com](#) - Nov 06 2022

web aug 22 2017 letters of recommendation for social workers should include several key components according to the school of social work at the university of north carolina chapel hill considerations ensure that you re writing a letter for a candidate whom you know relatively well on a professional level

letter of recommendation for social worker templates how - Feb 09 2023

web 3 examples of a letter of recommendation for social worker example dear recipient s name my name is your name and i m writing this letter of recommendation on behalf of your name person being recommended has worked with me at company name as a social worker for the past two years

how to write a letter of recommendation for a social worker - Jul 14 2023

web mar 10 2023 example letter of recommendation for a social worker here s a sample social worker letter of recommendation may 11 2021 to whom it may concern it is my genuine pleasure to recommend sophia riviera for the social worker position with familyfirst my name is barbara smith and i am a manager at hopefilled healthcare

best sample letter of recommendation for a social worker - Mar 10 2023

web may 13 2023 why do you need a sample letter of recommendation since a social worker well being writing a letter of recommendation can be a powerful tool in helping social workers advance in you careers prepare for their interviewen secure job opportunities or pursue educational endeavors as a communal worker you may find

best sample letter of recommendation for a social worker - Oct 05 2022

web may 13 2023 why make you necessity one sample letter of recommendation for a communal worker good writing a letter of recommendation can be a powerfully tool in helping social workers proceed in their careers set for their interviews

secure job possibilities or pursue learning endeavors as a social worker you may find yourself

sample reference letter template free example word - Jul 02 2022

web employee reference letter sample a reference letter is a written confirmation of a person's character and credentials use this sample reference letter template when a colleague former team member student or acquaintance asks for a personal recommendation

referral letter for a client who needs a specialized service - Jun 13 2023

web sample letter senders name address line state zip code letter date recipients name address line state zip code subject normally bold summarizes the intention of the letter optional dear recipients name i am henson baker a physical therapist at a private clinic at pleasant view subdivision

letter of recommendation for counselor templates how to write examples - Aug 03 2022

web here are 3 simple steps to get started 1 gather the information you need to know before you write anything you need to know who or what you're writing about the more specific you are the more personalized you can make your content here's our suggestions for writing a letter of recommendation for counselor reader's name name of reader

best sample letter of recommendation for a social worker referral - Jan 28 2022

web may 13 2023 why execute you necessity a sample letter of testimonial for an social worker well writing a letter of recommendation can being a powerful tool in helps social workers advance in their company prepare for their interviews secure job opportunities button fortfahren educational effort

how to write an effective letter of referral with template and example - Jun 01 2022

web jul 3 2023 letter of referral example this is an example of a letter of referral someone would write for a job application based on the template provided this template can also be used for other kinds of letters of referral when writing your letter of referral make sure to proofread it before submitting it to further establish your credibility

social work reference letter 4 templates writolay - Aug 15 2023

web mar 22 2021 letter template 4 social work reference letter to name of the recipient address of the recipient date sub letter of reference for social worker dear sir madam it is with immense happiness that i refer mention the name of the candidate for the role of a social worker at your mention the name of the organization or agency

social work referral letter sample letter templates - Dec 27 2021

web jul 27 2023 if you are a social worker or a healthcare professional you know the importance of referral letters a referral letter is a written document that refers a patient to another healthcare provider or social worker it is an essential tool that helps healthcare providers and social workers work together to provide the best care for

samples of reference and recommendation letters the balance - Dec 07 2022

web feb 18 2022 reference letter samples review the sample reference letters here including professional references academic references personal references and letters asking for a recommendation to help you write your own plus review guidelines and tips for requesting and writing reference letters

best sample letter of recommendation for a social worker referral - Feb 26 2022

web may 13 2023 why perform you need an sample letter of recommendation for a social worker well type one letter of recommendation can be a powerful tool in helping social workers advance in their careers prepare for their interview secure job opportunities or pursue educational endeavors for a social workers you may find yourself in a position

7 best work reference letter samples with guide word - Mar 30 2022

web what necessitates a work reference letter sample letter sample of social work reference letter work reference letter for volunteer landlord work reference letter simple work reference letter format experienced work reference letter sample rental application work reference letter basic contents what to include

6 social work referral form templates in pdf ms word - Apr 11 2023

web 6 social work referral form templates in pdf ms word 1 social work referral form template 2 school social work referral form template 3 parent social work referral form template 4 social work referral form example 5 pre school social work referral form template 6 social work department referral form template 7

how to write a referral letter with sample and example - Apr 30 2022

web jul 11 2023 1 start with a salutation start your letter with a greeting such as dear sir madam last name or dear hiring director if you are writing a general letter you may write to whom it may concern

best sample letter of recommendation for a social worker - May 12 2023

web may 13 2023 example letter of recommendation for a social worker here s a sample social worker letter of recommendation your name your title position your organisation your address post code city state zip email address phone number date recipient s name recipient s position organisation institution address post

best sample letter of recommendation for a social worker referral - Sep 04 2022

web may 13 2023 why do you need a sample letter of endorsement for a sociable worker well writing a letter of testimonial cannot be a powerful tool in helping communal workers advance in their careers get since them video secure job opportunities or pursue educational endeavors

que llega el lobo edelvives - May 18 2023

web que llega el lobo de Émile jadoul es un a Álbum y libro ilustrado de psicología desarrollo personal para edades de 3 a 6 años a la casita de gran ciervo llega conejo corriendo deprisa porque viene el lobo ciervo le abre rápido la puerta y se dan la mano y lo mismo sucede con cerdito y con osito cuando por fin llega el lobo

que llega el lobo 1 luciérnaga tapa dura amazon es - Jun 19 2023

web que llega el lobo 1 luciérnaga tapa dura ilustrado 1 mayo 2003 de Émile jadoul autor ilustrador m^a isabel p rozarena seudónimo molina llorente traductor 4 8 4 8 de 5 estrellas 715 valoraciones ver todos los formatos y ediciones sorry

que llega el lobo colección luciérnaga - Mar 04 2022

web jan 1 2000 descarga el libro que llega el lobo colección luciérnaga de emile jadoul gratis disponible en formato epub mobi y pdf

opiniones que llega el lobo colección luciérnaga casa del - Aug 09 2022

web opiniones del libro que llega el lobo colección luciérnaga de nuestros lectores valoración media críticas resumen y recomendaciones en casa del libro colombia

que llega el lobo luciérnaga blogger - Feb 03 2022

web easy you simply klick que llega el lobo luciérnaga book retrieve point on this article with you should directed to the no cost booking way after the free registration you will be able to download the book in 4 format pdf formatted 8 5 x all pages epub reformatted especially for book readers mobi for kindle which was converted from the epub file

que llega el lobo 1 luciérnaga tapa dura iberlibro com - Oct 11 2022

web que llega el lobo 1 luciérnaga de jadoul Émile isbn 10 8426350100 isbn 13 9788426350107 editorial luis vives edelvives a la casita de gran ciervo llega conejo corriendo deprisa porque viene el lobo ciervo le abre rápido la puerta y se dan la mano y lo mismo sucede con cerdito y con osito cuando por fin llega el

que llega el lobo 1 luciérnaga jadoul Émile jadoul Émile - Feb 15 2023

web que llega el lobo 1 luciérnaga jadoul Émile jadoul Émile p rozarena selecciona tus preferencias de cookies utilizamos cookies y herramientas similares que son necesarias para permitirte comprar mejorar tus experiencias de compra esto incluye el uso de cookies propias y de terceros que almacenan o acceden a

que llega el lobo colección luciérnaga emile jadoul casa del - Apr 17 2023

web libro que llega el lobo colección luciérnaga del autor emile jadoul al mejor precio nuevo o segunda mano en casa del libro colombia estado de tu pedido ayuda 0 mi cuenta 0 envío local imprescindibles novedades

que llega el lobo luciérnaga 2023 - May 06 2022

web que llega el lobo luciérnaga la resurrección mágica y otros temas de los cuentos populares del campo de cartagena oct 04 2021 era una manada de lobos liderada con rudeza por un gran lobo negro llamado zart hasta que un día llega un lobo blanco a ocupar su lugar su nombre era ikar una historia de coraje heroísmo y amistad

books similar to que llega el lobo the wolf is coming luciérnaga - Jul 08 2022

web find books like que llega el lobo the wolf is coming luciérnaga luciérnaga from the world s largest community of readers

goodreads members who l

*qué es la luna de lobo y cuándo se verá noticias*scaracol - Dec 01 2021

web actualizado enero 04 2023 05 16 am este 6 de enero será la primera luna llena del año también conocida como luna de lobo la luna llena es una fase lunar que ocurre cuando la tierra se encuentra entre el sol y la luna casi alineados la tierra estará más cerca del sol este 4 de enero por qué

amazon in customer reviews que llega el lobo luciernaga - Sep 10 2022

web find helpful customer reviews and review ratings for que llega el lobo luciernaga at amazon com read honest and unbiased product reviews from our users

amazon es opiniones de clientes que llega el lobo 1 - Jan 14 2023

web que llega el lobo 1 luciérnaga la sorpresa del final es fascinante y a la nena de 3 años que se lo regalé le encanta y no para de leerlo y hacer que ella es el lobo 100 recomendable Útil denunciar cliente amazon 5 0 de 5 estrellas recomendable revisado en españa el 7 de septiembre de

que llega el lobo colección luciernaga casa del - Oct 23 2023

web emile jadoul luis vives 9788426350107 4 escribe tu opinión infantil infantil 3 a 4 años prelectura y preescritura sinopsis de que llega el lobo colección luciernaga a la casita de gran ciervo llega conejo corriendo deprisa porque viene el lobo ciervo le abre rápido la puerta y se dan la mano y lo mismo sucede con cerdito y

que llega el lobo luciernaga spanish edition hardcover - Mar 16 2023

web abebooks com que llega el lobo luciernaga spanish edition 9788426350107 by jadoul Émile and a great selection of similar new used and collectible books available now at great prices

que llega el lobo luciernaga goodreads - Aug 21 2023

web jan 1 2002 que llega el lobo luciernaga Émile jadoul maría isabel p rozarena translator 4 11 37 ratings5 reviews a la casita de gran ciervo llega conejo corriendo deprisa porque viene el lobo ciervo le abre rápido la puerta y se dan la mano y lo mismo sucede con cerdito y con osito cuando por fin llega el lobo sorpresa

opiniones que llega el lobo colección luciernaga casa del - Nov 12 2022

web opiniones que llega el lobo colección luciernaga luis vives 9788426350107 4 escribe tu opinión opiniones sobre que llega el lobo colección luciernaga sólo por opinar entras en el sorteo mensual de tres tarjetas regalo valoradas en 20 4 comentarios 5 5 dejar mi

que llega el lobo colección luciérnaga videocuento - Dec 13 2022

web todos los personajes acuden presurosos a la casa del gran ciervo porque llega el lobo qué pasará un cuento que fascina a los más pequeños y que n

[amazon com que llega el lobo luciernaga spanish edition](#) - Jun 07 2022

web amazon com que llega el lobo luciernaga spanish edition 9788426350107 jadoul Émile jadoul Émile p rozarena seudónimo molina llorente m^a isabel

que llega el lobo luciernaga spanish edition amazon com - Sep 22 2023

web may 1 2003 que llega el lobo luciernaga spanish edition jadoul Émile jadoul Émile p rozarena seudónimo molina llorente m^a isabel 9788426350107 amazon com books books children s books growing up facts of life enjoy fast free delivery exclusive deals and award winning movies tv shows with prime

[amazon com que llega el lobo luciernaga spanish edition](#) - Jul 20 2023

web que llega el lobo luciernaga spanish edition tapa dura 1 mayo 2003 edición en español Émile jadoul author illustrator m^a isabel p rozarena seudónimo molina llorente translator 4 8 de 5 estrellas ver todos los formatos y ediciones us 13 31 a la casita de gran ciervo llega conejo corriendo deprisa porque viene el lobo

luciernaga el lobo y la sociedad privada letras com - Jan 02 2022

web y a tu oscuridad tu cariño será mi cruz y mi reino de paz luciérnaga que te apagas y prendes que te marchas y vuelves ya no me quieres ya no me quieres me has acostumbrado a tu luz y a tu oscuridad tu cariño será mi cruz

luciernaga que llega el lobo cartón precio guatemala - Apr 05 2022

web a la casita de gran ciervo llega conejo corriendo deprisa porque viene el lobo ciervo le abre rápido la puerta y se dan la mano y lo mismo sucede con cerdito y con osito cuando por fin llega el lobo sorpresa qué le habrán preparado