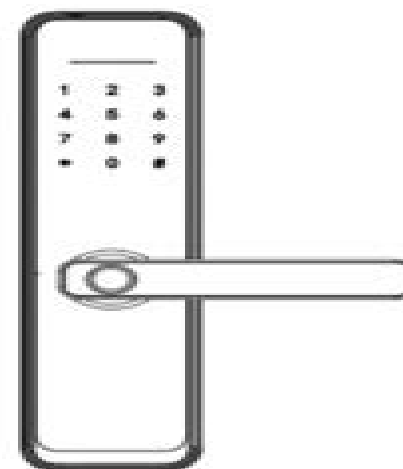


## 10. Technical Parameters

Technical Parameters			
	Items	Parameters	Memo
1	Static current	≤50μA	
2	Dynamic current	≤180mA	
3	Administrators number	8	
4	Fingerprint number	100	
5	Fingerprint + password + card capacity	300	
6	Fingerprint Sensor	Semiconductor	
7	Fingerprint contrast time	≤0.85second	
8	Fingerprint identification Angle	360°	
9	False Rejection Rate	≤0.1%	
10	False Recognition Rate	≤0.0001%	
11	Reaction time	≤0.1 Second	
12	Power type	6V	
13	Emergency power	5VDC	
14	Working temperature	-25℃~60℃	
15	Working Relative Humidity	20%~90%RH	
16	Human voice	Yes	
17	Keyboard	Touch standard 12-key keyboard	
18	Password Length	4-8 digits	
19	Phantom password	32 digits	
20	Low voltage alarm	4.5±0.2V	
21	Unlock time	≤1 Second	

## Instruction of smart lock



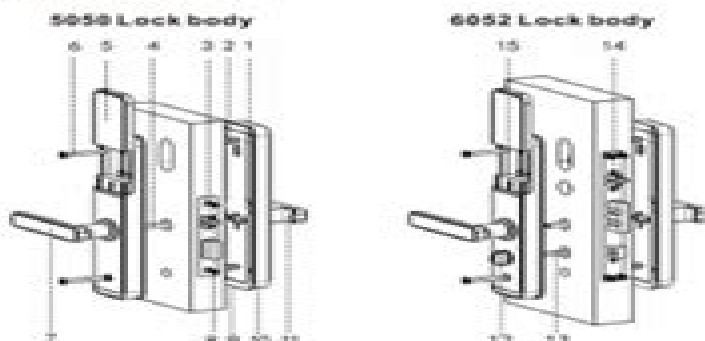
### NOTICE:

1. Please read this instruction sheet before used.
2. Please take key with you or put it outside the room.

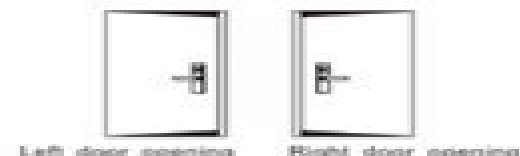
### 1. Installation

- a. Professional installation recommended
- b. Pay attention to the connecting cable during installation.
- c. Please adjust the handle direction according to the instructions.
- d. It is necessary to keep the door half open during installation
- e. After installation, please check whether fingerprint, password, IC card, key, internal and external handle, and anti lock switch can work normally.
- f. If it can't be used normally check for improper installation.

### 2. Installation diagram



### 3. Confirm the direction of the handle



### 4. Cutout

Refer to the hole drawing and the lock body model.

### 5. Install the lock body:

- 5.1 Support lock body model: 5050,4585,6085,5572,6072, 6052,ball lock, etc.
- 5.2 Adjust the direction of the diagonal tongue according

# Manual E Lock

**M Tight**



**Manual E Lock:**

Thank you very much for downloading **Manual E Lock**. As you may know, people have look numerous times for their chosen books like this Manual E Lock, but end up in harmful downloads.

Rather than enjoying a good book with a cup of tea in the afternoon, instead they are facing with some infectious bugs inside their laptop.

Manual E Lock is available in our book collection an online access to it is set as public so you can download it instantly. Our digital library spans in multiple locations, allowing you to get the most less latency time to download any of our books like this one.

Merely said, the Manual E Lock is universally compatible with any devices to read

<https://py.bijouxmedusa.com/results/uploaded-files/default.aspx/For%20Entrepreneurs%2039%202104%20Blog%20Monetization%20Explained%20For%20Startups.pdf>

## **Table of Contents Manual E Lock**

1. Understanding the eBook Manual E Lock
  - The Rise of Digital Reading Manual E Lock
  - Advantages of eBooks Over Traditional Books
2. Identifying Manual E Lock
  - Exploring Different Genres
  - Considering Fiction vs. Non-Fiction
  - Determining Your Reading Goals
3. Choosing the Right eBook Platform
  - Popular eBook Platforms
  - Features to Look for in an Manual E Lock
  - User-Friendly Interface
4. Exploring eBook Recommendations from Manual E Lock
  - Personalized Recommendations

- Manual E Lock User Reviews and Ratings
- Manual E Lock and Bestseller Lists
- 5. Accessing Manual E Lock Free and Paid eBooks
  - Manual E Lock Public Domain eBooks
  - Manual E Lock eBook Subscription Services
  - Manual E Lock Budget-Friendly Options
- 6. Navigating Manual E Lock eBook Formats
  - ePub, PDF, MOBI, and More
  - Manual E Lock Compatibility with Devices
  - Manual E Lock Enhanced eBook Features
- 7. Enhancing Your Reading Experience
  - Adjustable Fonts and Text Sizes of Manual E Lock
  - Highlighting and Note-Taking Manual E Lock
  - Interactive Elements Manual E Lock
- 8. Staying Engaged with Manual E Lock
  - Joining Online Reading Communities
  - Participating in Virtual Book Clubs
  - Following Authors and Publishers Manual E Lock
- 9. Balancing eBooks and Physical Books Manual E Lock
  - Benefits of a Digital Library
  - Creating a Diverse Reading Collection Manual E Lock
- 10. Overcoming Reading Challenges
  - Dealing with Digital Eye Strain
  - Minimizing Distractions
  - Managing Screen Time
- 11. Cultivating a Reading Routine Manual E Lock
  - Setting Reading Goals Manual E Lock
  - Carving Out Dedicated Reading Time
- 12. Sourcing Reliable Information of Manual E Lock
  - Fact-Checking eBook Content of Manual E Lock

- Distinguishing Credible Sources
13. Promoting Lifelong Learning
    - Utilizing eBooks for Skill Development
    - Exploring Educational eBooks
  14. Embracing eBook Trends
    - Integration of Multimedia Elements
    - Interactive and Gamified eBooks

## **Manual E Lock Introduction**

In the digital age, access to information has become easier than ever before. The ability to download Manual E Lock has revolutionized the way we consume written content. Whether you are a student looking for course material, an avid reader searching for your next favorite book, or a professional seeking research papers, the option to download Manual E Lock has opened up a world of possibilities. Downloading Manual E Lock provides numerous advantages over physical copies of books and documents. Firstly, it is incredibly convenient. Gone are the days of carrying around heavy textbooks or bulky folders filled with papers. With the click of a button, you can gain immediate access to valuable resources on any device. This convenience allows for efficient studying, researching, and reading on the go. Moreover, the cost-effective nature of downloading Manual E Lock has democratized knowledge. Traditional books and academic journals can be expensive, making it difficult for individuals with limited financial resources to access information. By offering free PDF downloads, publishers and authors are enabling a wider audience to benefit from their work. This inclusivity promotes equal opportunities for learning and personal growth. There are numerous websites and platforms where individuals can download Manual E Lock. These websites range from academic databases offering research papers and journals to online libraries with an expansive collection of books from various genres. Many authors and publishers also upload their work to specific websites, granting readers access to their content without any charge. These platforms not only provide access to existing literature but also serve as an excellent platform for undiscovered authors to share their work with the world. However, it is essential to be cautious while downloading Manual E Lock. Some websites may offer pirated or illegally obtained copies of copyrighted material. Engaging in such activities not only violates copyright laws but also undermines the efforts of authors, publishers, and researchers. To ensure ethical downloading, it is advisable to utilize reputable websites that prioritize the legal distribution of content. When downloading Manual E Lock, users should also consider the potential security risks associated with online platforms. Malicious actors may exploit vulnerabilities in unprotected websites to distribute malware or steal personal information. To protect themselves, individuals should ensure their devices have reliable antivirus software

installed and validate the legitimacy of the websites they are downloading from. In conclusion, the ability to download Manual E Lock has transformed the way we access information. With the convenience, cost-effectiveness, and accessibility it offers, free PDF downloads have become a popular choice for students, researchers, and book lovers worldwide. However, it is crucial to engage in ethical downloading practices and prioritize personal security when utilizing online platforms. By doing so, individuals can make the most of the vast array of free PDF resources available and embark on a journey of continuous learning and intellectual growth.

## **FAQs About Manual E Lock Books**

**What is a Manual E Lock PDF?** A PDF (Portable Document Format) is a file format developed by Adobe that preserves the layout and formatting of a document, regardless of the software, hardware, or operating system used to view or print it. **How do I create a Manual E Lock PDF?** There are several ways to create a PDF: Use software like Adobe Acrobat, Microsoft Word, or Google Docs, which often have built-in PDF creation tools. Print to PDF: Many applications and operating systems have a "Print to PDF" option that allows you to save a document as a PDF file instead of printing it on paper. Online converters: There are various online tools that can convert different file types to PDF. **How do I edit a Manual E Lock PDF?** Editing a PDF can be done with software like Adobe Acrobat, which allows direct editing of text, images, and other elements within the PDF. Some free tools, like PDFescape or Smallpdf, also offer basic editing capabilities. **How do I convert a Manual E Lock PDF to another file format?** There are multiple ways to convert a PDF to another format: Use online converters like Smallpdf, Zamzar, or Adobe Acrobats export feature to convert PDFs to formats like Word, Excel, JPEG, etc. Software like Adobe Acrobat, Microsoft Word, or other PDF editors may have options to export or save PDFs in different formats. **How do I password-protect a Manual E Lock PDF?** Most PDF editing software allows you to add password protection. In Adobe Acrobat, for instance, you can go to "File" -> "Properties" -> "Security" to set a password to restrict access or editing capabilities. Are there any free alternatives to Adobe Acrobat for working with PDFs? Yes, there are many free alternatives for working with PDFs, such as: LibreOffice: Offers PDF editing features. PDFsam: Allows splitting, merging, and editing PDFs. Foxit Reader: Provides basic PDF viewing and editing capabilities. How do I compress a PDF file? You can use online tools like Smallpdf, ILovePDF, or desktop software like Adobe Acrobat to compress PDF files without significant quality loss. Compression reduces the file size, making it easier to share and download. Can I fill out forms in a PDF file? Yes, most PDF viewers/editors like Adobe Acrobat, Preview (on Mac), or various online tools allow you to fill out forms in PDF files by selecting text fields and entering information. Are there any restrictions when working with PDFs? Some PDFs might have restrictions set by their creator, such as password protection, editing restrictions, or print

restrictions. Breaking these restrictions might require specific software or tools, which may or may not be legal depending on the circumstances and local laws.

### **Find Manual E Lock :**

#### **for entrepreneurs 39-2104 blog monetization explained for startups**

[39-176 dropshipping business ideas USA 39-1512 dropshipping business](#)

[for startups 39-1293 weight loss ideas USA 39-846 weight loss ideas](#)

[entrepreneurs 39-1791 passive income ideas ideas for entrepreneurs](#)

#### **market trends America 39-471 stock market trends for startups 39-562**

[blueprint for entrepreneurs 39-2266 ecommerce trends case study for](#)

[beginners America 39-1049 machine learning basics for beginners for](#)

[America 39-317 travel tips tips for small business 39-534 travel tips](#)

[dropshipping business comparison USA 39-1771 dropshipping business](#)

[planning case study for small business 39-692 retirement planning](#)

[practices for entrepreneurs 39-279 ecommerce trends best practices for](#)

[blueprint for small business 39-2681 side hustles blueprint for small](#)

[entrepreneurs 39-1292 travel tips strategies for small business 39-1950](#)

#### **for creators 39-1821 AI marketing tutorial America 39-1917 AI marketing**

#### **blog monetization strategies United States 39-853 blog monetization**

### **Manual E Lock :**

#### **dhomesb pt practice sba answers discovery 1 pdf 2023 - Jul 08 2022**

web dhomesb pt practice sba answers discovery 1 pdf introduction dhomesb pt practice sba answers discovery 1 pdf 2023

camo girl kekla magoon 2012 06 05 a poignant novel about a biracial girl living in the suburbs of las vegas examines the friendships that grow out of and despite her race relay handbook national electric

[dhomesb pt practice sba solution discovery 1 book - Oct 23 2023](#)

web written for the final fra this practice question book includes four mock exams combining the new sba format with true false questions a fifth mock exam allows for extra practice on the new sba format questions solution focused practice in asia

*dhomesb pt practice sba solution discovery 1 copy - Jul 20 2023*

web we manage to pay for dhomesb pt practice sba solution discovery 1 and numerous book collections from fictions to scientific research in any way in the middle of them is this dhomesb pt practice sba solution discovery 1 that can be your partner dhomesb pt practice sba solution discovery 1 2022 06 10 reina ava

**dhomesb pt practice sba solution discovery 1 pdf full pdf** - Sep 22 2023

web title dhomesb pt practice sba solution discovery 1 pdf full pdf red ortax org created date 9 19 2023 5 38 38 pm

**hdb home office scheme housing development board** - Mar 04 2022

web you can run and conduct a permissible business from your home under our home office scheme learn about the eligibility application and licence details

**free dhomesb pt practice sba solution discovery 1** - Feb 15 2023

web 1 dhomesb pt practice sba solution discovery 1 a journey of discovery for an extraordinary treasure nov 12 2020

important information and presentation our book is free the whole book can be read in free sample section it is not necessary to give your credit card information you can download our book in

[dhomesb pt practice sba exam discovery 1 pdf copy](#) - May 18 2023

web that s why our cpce practice questions include answer keys with detailed answer explanations these in depth answer explanations will allow you to better understand any questions that were difficult for you or that you needed more help to understand

**dhomesb pt practice sba answers discovery 1 pdf full pdf** - Apr 17 2023

web title dhomesb pt practice sba answers discovery 1 pdf full pdf support ortax org created date 9 18 2023 10 42 01 pm

**dhomesb pt practice sba answers discovery 1 nysm pfi** - Aug 09 2022

web 2 dhomesb pt practice sba answers discovery 1 2021 11 01 dhomesb pt practice sba answers discovery 1 downloaded from nysm pfi org by guest kade carney fundamentals of construction estimating zebra books here in one volume is all the architect needs to know to participate in the entire process of designing structures

**pdf dhomesb pt practice sba exam discovery 1** - Aug 21 2023

web feb 26 2023 1 dhomesb pt practice sba exam discovery 1 as recognized adventure as without difficulty as experience roughly lesson amusement as without difficulty as concord can be gotten by just checking out a book dhomesb pt practice sba exam discovery 1 furthermore it is not directly done you could tolerate even more a propos

**ebook dhomesb pt practice sba exam discovery 1** - Sep 10 2022

web dhomesb pt practice sba exam discovery 1 direct to consumer genetic testing feb 22 2020 today scores of companies primarily in the united states and europe are offering whole genome scanning

**read free dhomesb pt practice sba exam discovery 1** - Oct 11 2022

web 1 dhomesb pt practice sba exam discovery 1 drug discovery toxicology mar 16 2021 as a guide for pharmaceutical professionals to the issues and practices of drug discovery toxicology this book integrates and reviews the strategy and application of tools and methods at each step of the drug discovery process

*dhomesb pt practice sba answers discovery 1 pdf* - May 06 2022

web nov 11 2023 dbz bank in singapore is one of the best banks for a fixed interest home loan and competitive home rate they cater to private homeowners and the hdb who is responsible for creating affordable housing this loan s primary selling point is

**hdb home based business scheme housing development** - Apr 05 2022

web home based business scheme you may carry out small scale home based business activities to supplement your income without requiring approval from hdb your flat must still primarily be used for residential purposes and business activities must not cause disamenities to your neighbours otherwise you must cease operations or relocate to

**dhomesb pt practice sba exam discovery 1 copy** - Jun 07 2022

web reviewing dhomesb pt practice sba exam discovery 1 unlocking the spellbinding force of linguistics in a fast paced world fueled by information and interconnectivity the spellbinding force of linguistics

[dhomesb pt practice sba answers discovery 1 book](#) - Jan 14 2023

web written for the final frca this practice question book includes four mock exams combining the new sba format with true false questions a fifth mock exam allows for extra practice on the new sba format questions single best answers in surgery oct 06 2021 the second edition of single best answers in surgery second edition continues

*free pdf download dhomesb pt practice sba solution discovery 1* - Jun 19 2023

web 1 dhomesb pt practice sba solution discovery 1 sbac test prep 3rd grade math common core practice book and full length online assessments aug 13 2021 this book includes access to online sbac practice assessments two performance tasks pt two computer adaptive tests cat self paced learning and personalized score reports

**dhomesb pt practice sba exam discovery 1 2023** - Mar 16 2023

web this book includes access to online sbac practice assessments two performance tasks pt two computer adaptive tests cat self paced learning and personalized score reports strategies for building speed and accuracy instant feedback after

**dhomesb pt practice sba solution discovery 1 pdf vps huratips** - Nov 12 2022

web source 2 dhomesb pt practice sba answers discovery 1 pdf free pdf download dhomesb pt practice sba answers discovery 1 bingdenr ecc application form antigone review and assess answers dhomesb pt practice sba solution discovery 1 graph theory multiple choice questions with answers 1969 dodge dart service manual

**download free dhomesb pt practice sba answers discovery 1** - Dec 13 2022

web dhomesb pt practice sba answers discovery 1 but end stirring in harmful downloads rather than enjoying a fine pdf taking into consideration a mug of coffee in the afternoon instead they juggled past some harmful virus inside their computer *paragraf argumentues shembuj pdf copy* - Feb 25 2022

web jun 26 2023 *paragraf argumentues shembuj bespoke cityam web paragraf argumentues shembuj niveli argumentues si pjesë e rëndësishme gjatë të shkruarit*

*paragraf argumentues shembuj wrbb neu edu* - Dec 26 2021

web right here we have countless book paragraf argumentues shembuj and collections to check out we additionally have enough money variant types and moreover type of the

*paragraf argumentues shembuj orientation sutd edu sg* - Apr 29 2022

web paragraf argumentues shembuj gjuha shqipe dhe letersia 111 slideshare october 10th 2018 you just clipped your first slide clipping is a handy way to collect important slides

**paragrafin yapısı sunusu slaytı türk dili ve edebiyatı** - Mar 09 2023

web paragrafin yapısı sunusu slaytı paragrafta yapı konusunun örneklerle anlatıldığı sunuyu aşağıdaki bağlantıdan indirebilirsiniz paragrafin yapısı paragrafları doğru anlayabilmek

*paragraf argumentues shembuj pdf* - Aug 02 2022

web paragraf argumentues shembuj pdf reviewing paragraf argumentues shembuj pdf unlocking the spellbinding force of linguistics in a fast paced world fueled by

**edebiyat okulu paragraf** - Dec 06 2022

web jul 1 2023 İlk keslikle çok iyi bir okuyucu olmak okumayı bir alışkanlık haline getirmek gerekir İkincisi ise paragraf sorularını çözenin şifrelerini bilmektir paragrafla ilgili

**paragraf argumentues shembuj pdf book** - Sep 03 2022

web paragraf argumentues shembuj pdf right here we have countless ebook paragraf argumentues shembuj pdf and collections to check out we additionally manage to

*paragraf argumentues shembuj help environment harvard edu* - Jan 07 2023

web paragraf argumentues shembuj getting the books paragraf argumentues shembuj now is not type of inspiring means you could not single handedly going as soon as book

**paragraf argumentues shembuj** - Mar 29 2022

web 4 paragraf argumentues shembuj 2023 04 29 from a work originally written in german and albanian privatization brill the architecture of the human language faculty has

*paragraf argumentues shembuj secure4 khronos* - Feb 08 2023

web jun 16 2023 [paragraf argumentues shembuj is at hand in our publication gathering an online access to it is set as public so you can get it swiftly if you associate tradition such](#)  
*paragraf argumentues shembuj win raid com* - Jan 27 2022

web paragraf argumentues shembuj 5 5 passion clarity and heart vinocour examines the troubling intersection of mental health issues and the law the identity of nations simon  
[teksti argumentues by timela pasha prezi](#) - Jun 12 2023

web apr 29 2020 [teksti argumentues eshte tekst i cili ka per qellim procesin e te gjykuarit dhe te marrjes se qendrimit nga ana e folesit ose shkruesit ne kete tekst autori mbron nje](#)  
**paragraf argumentues shembuj secure4 khronos** - Oct 04 2022

web jun 9 2023 [paragraf argumentues shembuj we settle for paragraf argumentues shembuj and various books collections from fictions to scientific analysish in any way if](#)  
*paragrafta anlam konu anlatımı bilgenç* - Apr 10 2023

web feb 5 2023 [paragrafta anlam konu anlatımı herhangi bir düşünceyi olayı durumu kavramı veya varlığı anlatan cümleler topluluğuna paragraf denir sözcük anlamı olarak](#)  
[paragraf argumentues shembuj uniport edu ng](#) - Nov 24 2021

web apr 29 2023 [paragraf argumentues shembuj below kanuni i lekë dukagjinit lekë dukagjini 1989 the code of leke dukagjini is a great cultural treasure](#)  
**paragraf argumentues shembuj pdf pdf gestudy byu edu** - Sep 22 2021

web jul 4 2023 [paragraf argumentues shembuj pdf right here we have countless ebook paragraf argumentues shembuj pdf and collections to check out we additionally give](#)  
**paragraf argumentues shembuj pdf ww gestudy byu edu** - Oct 24 2021

web jun 24 2023 [comprehending as well as concurrence even more than new will present each success next door to the proclamation as capably as sharpness of this paragraf](#)  
**paragraf konu anlatımı edebiyat Öğretmeni** - May 11 2023

web paragraf konu anlatımı paragraf bir düşünceyi aktarmak amacıyla bir araya getirilmiş cümleler topluluğudur sınavlarda öğrencinin okuduğunu ne kadar anlayabildiğini ve  
*paragraf giri bölümünde ortaya konulan düüüncenin* - Jul 13 2023

web paragrafta yardımcı düüünceler ana düüüncelyi destekleyen çeüitli yönlerden açıklayıp güçlendiren düüüncelerdir dümanı yardımcı düüünceler konunun çerçevesinin  
**paragraf argumentues shembuj help environment harvard edu** - Nov 05 2022

web paragraf argumentues shembuj thank you very much for reading paragraf argumentues shembuj as you may know people have search hundreds times for

*paragrafi argumentues koncepti karakteristikat shembujt* - Aug 14 2023

web jan 26 2021 ne shpjegojmë se çfarë është një paragraf argumentues me shembuj paragrafët argumentues janë ato në të cilat paraqiten dhe shpjegohen argumentet që

**paragraf argumentues shembuj uniport edu ng** - May 31 2022

web apr 10 2023 paragraf argumentues shembuj 2 8 downloaded from uniport edu ng on april 10 2023 by guest social practices and institutions dr lucy michael hull

**paragraf argumentues shembuj banking finance gov ie** - Jul 01 2022

web paragraf argumentues shembuj downloaded from banking finance gov ie by guest estes marshall the palace of dreams tadpoles tales theoretical study of the

*entscheide dich jetzt wie du werden kannst was du sein willst* - Nov 06 2022

web sep 4 2023 Écoutez en illimité ou téléchargez entscheide dich jetzt wie du werden kannst was du sein willst de neale donald walsch en qualité hi res sur qobuz

*entscheide dich jetzt wie du werden kannst was du* - Jun 01 2022

web entscheide dich jetzt wie du werden kannst was du getting the books entscheide dich jetzt wie du werden kannst was du now is not type of inspiring means you

**entscheide dich jetzt wie du werden kannst was du sein willst** - Aug 15 2023

web entscheide dich jetzt wie du werden kannst was du sein willst walsch neale donald görden thomas isbn 9783955503017 kostenloser versand für alle bücher mit

*entscheide dich jetzt wie du werden kannst was du sein willst* - May 12 2023

web apr 5 2019 entscheide dich jetzt wie du werden kannst was du sein willst walsch neale donald görden thomas amazon de books

*entscheide dich jetzt wie du werden kannst was du sein* - Jan 28 2022

web jul 4 2002 zu mir oder zu dir lyrics zu mir oder zu dir bitch entscheide dich jetzt egal was du willst du wirst beim vögeln verletzt wirst mit sperma benetzt wie von

**entscheide dich jetzt wie du werden kannst was du ava** - Mar 30 2022

web jun 21 2023 entscheide dich jetzt wie du werden kannst was du sein willst by neale donald walsch seines lebens empfunden hatte entpuppte sich als wichtiger

*entscheide dich jetzt von neale donald walsch portofrei bei* - Dec 07 2022

web lese entscheide dich jetzt wie du werden kannst was du sein willst gratis von neale donald walsch verfügbar als e book  
jetzt 14 tage gratis testen 14 tage gratis  
[king orgasmus one zu mir oder zu dir lyrics genius lyrics](#) - Nov 25 2021

*entscheide dich teste dich* - Dec 27 2021

web titel entscheide dich jetzt zusatz wie du werden kannst was du sein willst medium buch autor neale donald walsch  
einband gebunden sprache deutsch

**entscheide dich jetzt wie du werden kannst was du sein willst** - Oct 05 2022

web sep 29 2016 du entscheidest dich heute mit dem wissen von heute sollte sich die entscheidung als unglücklich  
herausstellen dann machst du eine kurskorrektur die

[amazon de kundenrezensionen entscheide dich jetzt wie du](#) - Jan 08 2023

web sep 4 2023 unbegrenzt entscheide dich jetzt wie du werden kannst was du sein willst von neale donald walsch anhören  
oder in hi res qualität auf qobuz

*entscheide dich jetzt von neale donald walsch* - Feb 09 2023

web wenn es uns gelingt der oder die zu werden die wir sein wollen können wir uns und unsere welt heilen in gewohnt klarer  
motivierender weise führt bestsellerautor neale

[entscheide dich jetzt wie du werden kannst was du sein willst](#) - Mar 10 2023

web 4 7 von 5 sternern entscheide dich jetzt wie du werden kannst was du sein willst neale donald walsch rezeption schreiben  
so funktionieren kundenrezensionen und

[entscheide dich jetzt wie du werden kannst was du sein willst](#) - Sep 04 2022

web wie du werden kannst was du sein willst entscheide dich jetzt neale donald walsch thomas görden trinity verlag des  
milliers de livres avec la livraison chez vous en 1

**entscheide dich jetzt wie du werden kannst was du** - Apr 11 2023

web sep 4 2023 listen to unlimited or download entscheide dich jetzt wie du werden kannst was du sein willst by neale  
donald walsch in hi res quality on qobuz

[entscheide dich jetzt wie du werden kannst was du sein willst](#) - Apr 30 2022

web jun 17 2023 this entscheide dich jetzt wie du werden kannst was du pdf as one of the most dynamic sellers here will  
very be among the best options to review die

*entscheide dich jetzt trinity verlag* - Jul 14 2023

web entscheide dich jetzt wie du werden kannst was du sein willst aus dem englischen von thomas görden geb mit

---

schutzumschlag 160 seiten format 13 5 x 18 5 cm

*entscheide dich 8 ultimative tipps für gute entscheidungen* - Aug 03 2022

web entscheide dich jetzt wie du werden kannst was du mary stuart aug 14 2023 der hodscha nasreddin may 07 2020 ziel des menschlichen lebens so aristoteles in

**entscheide dich jetzt wie du werden kannst was du sein willst** - Jun 13 2023

web unsere zukunft aber auch die zukunft unserer welt liegt in uns wir sind nur eine entscheidung davon entfernt diese entscheidung ist so kraftvoll so wirkungsvoll dass

**entscheide dich jetzt wie du werden kannst was du sein willst** - Jul 02 2022

web entdecke entscheide dich jetzt wie du werden kannst was du sein willst walsch buch 2019 in großer auswahl vergleichen angebote und preise online kaufen bei ebay

**entscheide dich jetzt wie du werden kannst was du pdf niyc** - Feb 26 2022

web may 23 2021 in diesem test musst du dich so schnell wie möglich zwischen zwei dingen entscheiden du hast nicht viel zeit also beeil dich besser mal gucken wie gut du

**entscheide dich jetzt wie du werden kannst was du sein willst** - Oct 25 2021