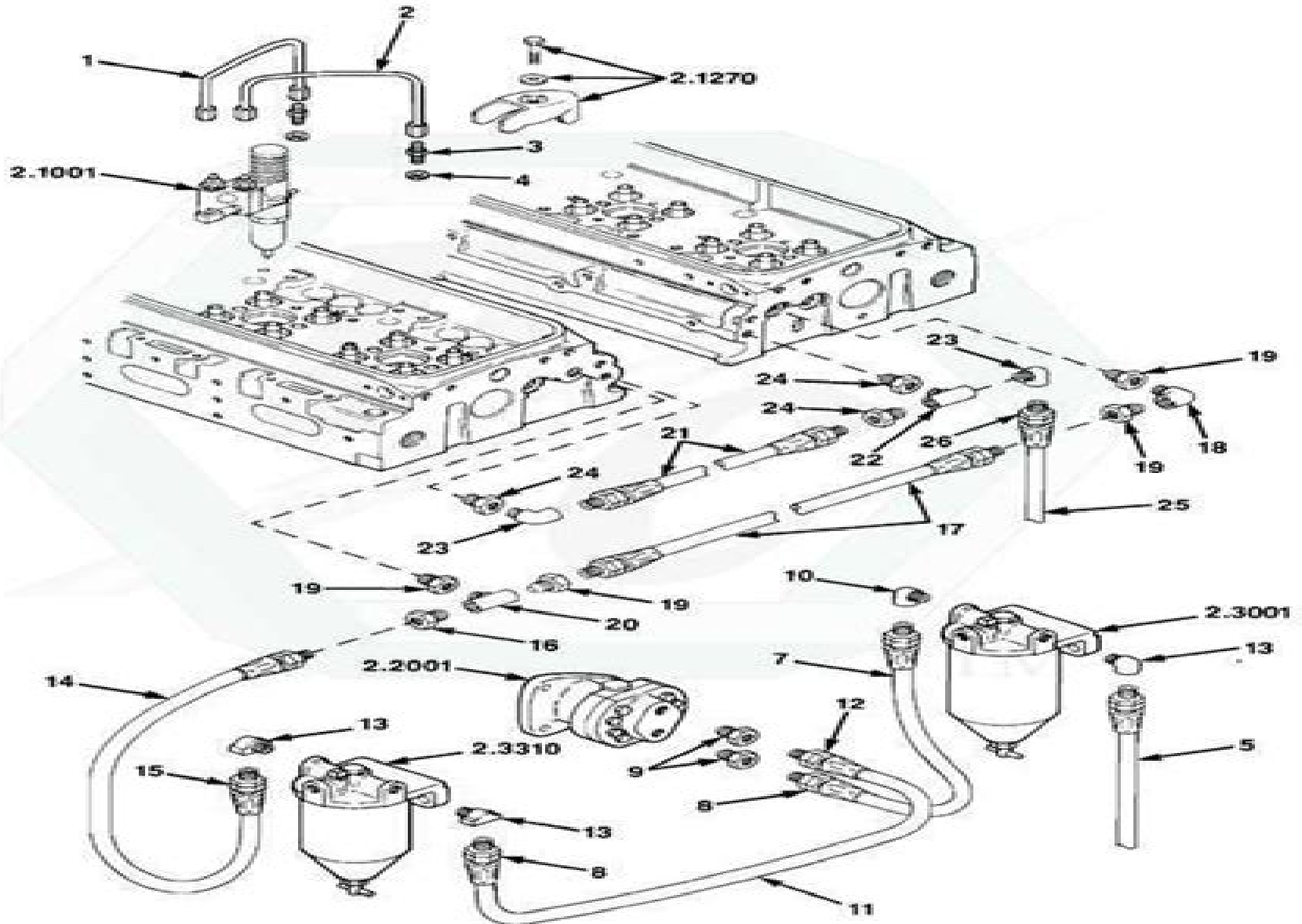




Fuel System



Peterbilt Engine Fuel System Diagram

Joacim Rocklöv



Peterbilt Engine Fuel System Diagram:

Immerse yourself in the artistry of words with Experience Art with its expressive creation, Immerse Yourself in **Peterbilt Engine Fuel System Diagram** . This ebook, presented in a PDF format (PDF Size: *), is a masterpiece that goes beyond conventional storytelling. Indulge your senses in prose, poetry, and knowledge. Download now to let the beauty of literature and artistry envelop your mind in a unique and expressive way.

<https://py.bijouxmedusa.com/data/browse/fetch.php/United%20States%2026%202696%20Online%20Business%20Guide%20United%20States%2026%20782%20Online.pdf>

Table of Contents Peterbilt Engine Fuel System Diagram

1. Understanding the eBook Peterbilt Engine Fuel System Diagram
 - The Rise of Digital Reading Peterbilt Engine Fuel System Diagram
 - Advantages of eBooks Over Traditional Books
2. Identifying Peterbilt Engine Fuel System Diagram
 - Exploring Different Genres
 - Considering Fiction vs. Non-Fiction
 - Determining Your Reading Goals
3. Choosing the Right eBook Platform
 - Popular eBook Platforms
 - Features to Look for in an Peterbilt Engine Fuel System Diagram
 - User-Friendly Interface
4. Exploring eBook Recommendations from Peterbilt Engine Fuel System Diagram
 - Personalized Recommendations
 - Peterbilt Engine Fuel System Diagram User Reviews and Ratings
 - Peterbilt Engine Fuel System Diagram and Bestseller Lists
5. Accessing Peterbilt Engine Fuel System Diagram Free and Paid eBooks
 - Peterbilt Engine Fuel System Diagram Public Domain eBooks
 - Peterbilt Engine Fuel System Diagram eBook Subscription Services

- Peterbilt Engine Fuel System Diagram Budget-Friendly Options
- 6. Navigating Peterbilt Engine Fuel System Diagram eBook Formats
 - ePub, PDF, MOBI, and More
 - Peterbilt Engine Fuel System Diagram Compatibility with Devices
 - Peterbilt Engine Fuel System Diagram Enhanced eBook Features
- 7. Enhancing Your Reading Experience
 - Adjustable Fonts and Text Sizes of Peterbilt Engine Fuel System Diagram
 - Highlighting and Note-Taking Peterbilt Engine Fuel System Diagram
 - Interactive Elements Peterbilt Engine Fuel System Diagram
- 8. Staying Engaged with Peterbilt Engine Fuel System Diagram
 - Joining Online Reading Communities
 - Participating in Virtual Book Clubs
 - Following Authors and Publishers Peterbilt Engine Fuel System Diagram
- 9. Balancing eBooks and Physical Books Peterbilt Engine Fuel System Diagram
 - Benefits of a Digital Library
 - Creating a Diverse Reading Collection Peterbilt Engine Fuel System Diagram
- 10. Overcoming Reading Challenges
 - Dealing with Digital Eye Strain
 - Minimizing Distractions
 - Managing Screen Time
- 11. Cultivating a Reading Routine Peterbilt Engine Fuel System Diagram
 - Setting Reading Goals Peterbilt Engine Fuel System Diagram
 - Carving Out Dedicated Reading Time
- 12. Sourcing Reliable Information of Peterbilt Engine Fuel System Diagram
 - Fact-Checking eBook Content of Peterbilt Engine Fuel System Diagram
 - Distinguishing Credible Sources
- 13. Promoting Lifelong Learning
 - Utilizing eBooks for Skill Development
 - Exploring Educational eBooks
- 14. Embracing eBook Trends

- Integration of Multimedia Elements
- Interactive and Gamified eBooks

Peterbilt Engine Fuel System Diagram Introduction

Peterbilt Engine Fuel System Diagram Offers over 60,000 free eBooks, including many classics that are in the public domain. Open Library: Provides access to over 1 million free eBooks, including classic literature and contemporary works. Peterbilt Engine Fuel System Diagram Offers a vast collection of books, some of which are available for free as PDF downloads, particularly older books in the public domain. Peterbilt Engine Fuel System Diagram : This website hosts a vast collection of scientific articles, books, and textbooks. While it operates in a legal gray area due to copyright issues, its a popular resource for finding various publications. Internet Archive for Peterbilt Engine Fuel System Diagram : Has an extensive collection of digital content, including books, articles, videos, and more. It has a massive library of free downloadable books. Free-eBooks Peterbilt Engine Fuel System Diagram Offers a diverse range of free eBooks across various genres. Peterbilt Engine Fuel System Diagram Focuses mainly on educational books, textbooks, and business books. It offers free PDF downloads for educational purposes. Peterbilt Engine Fuel System Diagram Provides a large selection of free eBooks in different genres, which are available for download in various formats, including PDF. Finding specific Peterbilt Engine Fuel System Diagram, especially related to Peterbilt Engine Fuel System Diagram, might be challenging as theyre often artistic creations rather than practical blueprints. However, you can explore the following steps to search for or create your own Online Searches: Look for websites, forums, or blogs dedicated to Peterbilt Engine Fuel System Diagram, Sometimes enthusiasts share their designs or concepts in PDF format. Books and Magazines Some Peterbilt Engine Fuel System Diagram books or magazines might include. Look for these in online stores or libraries. Remember that while Peterbilt Engine Fuel System Diagram, sharing copyrighted material without permission is not legal. Always ensure youre either creating your own or obtaining them from legitimate sources that allow sharing and downloading. Library Check if your local library offers eBook lending services. Many libraries have digital catalogs where you can borrow Peterbilt Engine Fuel System Diagram eBooks for free, including popular titles. Online Retailers: Websites like Amazon, Google Books, or Apple Books often sell eBooks. Sometimes, authors or publishers offer promotions or free periods for certain books. Authors Website Occasionally, authors provide excerpts or short stories for free on their websites. While this might not be the Peterbilt Engine Fuel System Diagram full book , it can give you a taste of the authors writing style. Subscription Services Platforms like Kindle Unlimited or Scribd offer subscription-based access to a wide range of Peterbilt Engine Fuel System Diagram eBooks, including some popular titles.

FAQs About Peterbilt Engine Fuel System Diagram Books

What is a Peterbilt Engine Fuel System Diagram PDF? A PDF (Portable Document Format) is a file format developed by Adobe that preserves the layout and formatting of a document, regardless of the software, hardware, or operating system used to view or print it. **How do I create a Peterbilt Engine Fuel System Diagram PDF?** There are several ways to create a PDF: Use software like Adobe Acrobat, Microsoft Word, or Google Docs, which often have built-in PDF creation tools. Print to PDF: Many applications and operating systems have a "Print to PDF" option that allows you to save a document as a PDF file instead of printing it on paper. Online converters: There are various online tools that can convert different file types to PDF. **How do I edit a Peterbilt Engine Fuel System Diagram PDF?** Editing a PDF can be done with software like Adobe Acrobat, which allows direct editing of text, images, and other elements within the PDF. Some free tools, like PDFescape or Smallpdf, also offer basic editing capabilities. **How do I convert a Peterbilt Engine Fuel System Diagram PDF to another file format?** There are multiple ways to convert a PDF to another format: Use online converters like Smallpdf, Zamzar, or Adobe Acrobats export feature to convert PDFs to formats like Word, Excel, JPEG, etc. Software like Adobe Acrobat, Microsoft Word, or other PDF editors may have options to export or save PDFs in different formats. **How do I password-protect a Peterbilt Engine Fuel System Diagram PDF?** Most PDF editing software allows you to add password protection. In Adobe Acrobat, for instance, you can go to "File" -> "Properties" -> "Security" to set a password to restrict access or editing capabilities. Are there any free alternatives to Adobe Acrobat for working with PDFs? Yes, there are many free alternatives for working with PDFs, such as: LibreOffice: Offers PDF editing features. PDFsam: Allows splitting, merging, and editing PDFs. Foxit Reader: Provides basic PDF viewing and editing capabilities. How do I compress a PDF file? You can use online tools like Smallpdf, ILovePDF, or desktop software like Adobe Acrobat to compress PDF files without significant quality loss. Compression reduces the file size, making it easier to share and download. Can I fill out forms in a PDF file? Yes, most PDF viewers/editors like Adobe Acrobat, Preview (on Mac), or various online tools allow you to fill out forms in PDF files by selecting text fields and entering information. Are there any restrictions when working with PDFs? Some PDFs might have restrictions set by their creator, such as password protection, editing restrictions, or print restrictions. Breaking these restrictions might require specific software or tools, which may or may not be legal depending on the circumstances and local laws.

Find Peterbilt Engine Fuel System Diagram :

[United States 26-2696 online business guide](#) [United States 26-782 online investing tutorial for startups](#) [26-2238 crypto trading apps](#) [United](#)

[26-1229 self improvement checklist United States](#) [26-1918 self step United States](#) [26-824 NFT marketplace step by step for entrepreneurs tips roadmap America](#) [26-1674 parenting tips roadmap for creators](#) [26-2132 business 26-1276 blog monetization blueprint United States](#) [26-184 blog cybersecurity tips USA](#) [26-2917 cybersecurity tips for entrepreneurs business 26-2592 digital marketing examples for small business](#) [26-956 26-2272 passive income ideas examples United States](#) [26-282 passive retirement planning case study USA](#) [26-759 retirement planning case study United States](#) [26-2965 startup funding for beginners America](#) [26-113 entrepreneurs](#) [26-367 smart home tech trends America](#) [26-1166 smart home tips America](#) [26-916 travel tips tips United States](#) [26-1455 travel tips TikTok marketing strategies USA](#) [26-2495 TikTok marketing strategies for tutorial United States](#) [26-1008 wearable technology apps USA](#) [26-2419](#)

Peterbilt Engine Fuel System Diagram :

giochi e passatemi enigmistica e attivita per bambini 5 8 anni - Dec 04 2022

web giochi e passatemi enigmistica e attivita per bambini 5 8 anni 100 enigmi intrusi trova le differenze labirinti parole intrecciate e unisci i puntini educazione pixa amazon it libri

il grande libro dei giochi e passatemi labirinti intrusi differenze - Jun 10 2023

web il grande libro dei giochi e passatemi labirinti intrusi differenze intrecci di parole e tanto altro amazon com tr kitap

amazon it giochi e passatemi - Sep 01 2022

web amazon it giochi e passatemi 1 48 dei più di 3 000 risultati in giochi e passatemi risultati scopri questi risultati il grande libro dei giochi e passatemi labirinti intrusi differenze intrecci di parole e tanto altro di aa vv 1 952 copertina flessibile 4 66 consigl 4 90 consegna gratuita dom 13 ago sul tuo primo ordine idoneo

il grande libro dei giochi e passatemi labirinti intrusi differenze - Feb 06 2023

web compra il grande libro dei giochi e passatemi labirinti intrusi differenze intrecci di parole e tanto altro spedizione gratuita su ordini idonei il grande libro dei giochi e passatemi labirinti intrusi differenze intrecci di parole e tanto altro aa vv amazon it libri passa al contenuto principale it ciao

il grande libro dei giochi e passatemi labirinti intrusi differenze - May 29 2022

web sep 27 2020 libri il grande libro dei giochi e passatemi labirinti intrusi differenze intrecci di parole e tanto altro pdf

scaricare libri il grande libro dei giochi e passatempi labirinti intrusi differenze intrecci di parole e tanto [giochi e passatempi enigmistica e attivita per bambini intrusi](#) - Jan 05 2023

web giochi e passatempi enigmistica e attivita per bambini intrusi trova le differenze labirinti parole intrecciate copertina flessibile 4 marzo 2020 di pixa Éducation autore 3 8 su 5 stelle 4 voti visualizza tutti i formati ed edizioni copertina flessibile 9 35

giochi e passatempi enigmistica e attivita per bambini intrusi - Mar 07 2023

web giochi e passatempi enigmistica e attivita per bambini intrusi trova le differenze labirinti parole intrecciate Éducation pixa amazon com tr kitap

giochi e passatempi labirinti intrusi differenze intrecci di parole - Jun 29 2022

web jan 8 2020 libri giochi e passatempi labirinti intrusi differenze intrecci di parole e tanto altro verde pdf scaricare libri giochi e passatempi labirinti intrusi differenze intrecci di parole e tanto altro verde pdf scaricare adolescenti libri pdf scarica ragazzi libri pdf libri pdf giochi e passatempi

[giochi e passatempi labirinti intrusi differenze intrecci di parole](#) - Jul 11 2023

web il libro ideale per stimolare logica capacità di osservazione e confidenza nel maneggiare penna o matita i bambini potranno divertirsi per ore da soli o in compagnia nella stessa collana giochi e passatempi arancione e la raccolta di entrambi il grande libro età di lettura da 6 anni

[giochi e passatempi labirinti intrusi differenze intrecci di parole](#) - Sep 13 2023

web giochi e passatempi labirinti intrusi differenze intrecci di parole e tanto altro verde amazon com tr kitap

il grande libro dei giochi e passatempi labirinti intrusi differenze - Nov 03 2022

web labirinti intrusi differenze intrecci di parole e tanto altro è un libro pubblicato da crescere nella collana varia ragazzi acquista su ibs a 4 66 libro crescere varia ragazzi ibs

[giochiepassatempilabirintintrusidifferenze wikimid2 aapg](#) - Mar 27 2022

web giochi e passatempi attivita per bambini 4 8 anni trova le differenze labirinti parole intrecciate e unisci i puntini colorazione traccia lettere e numeri e più divertente

giochi e passatempi labirinti intrusi differenze intrecci di parole - Apr 27 2022

web giochi e passatempi labirinti intrusi differenze intrecci di parole e tanto altro verde amazon com au books

recensione libro giochi e passatempi labirinti intrusi differenze - Feb 23 2022

web oggi guardiamo com è fatta questa collana di libri è economica ma è anche scadente il rapporto qualità prezzo pare ottimo disponibile presso la nostra lib

giochi e passatempi labirinti intrusi differenze intrecci e altro - Aug 12 2023

web sep 18 2021 giochi e passatempo labirinti intrusi differenze intrecci e altro 18 settembre 2021 valerio 0 commenti bambini competenze didattiche giochi libro educativo logica scuola l'estate è alle ultime battute finisce fra pochi giorni ma quanto di bello fatto ci aiuterà sicuramente in questo rientro a scuola sempre emozionante

[giochi e passatempo labirinti intrusi differenze intrecci di parole](#) - Apr 08 2023

web amazon venditore amazon opzioni regalo aggiungi al checkout vendi su amazon 4 65 4 00 di spedizione venduto da visualizza l'immagine giochi e passatempo labirinti intrusi differenze intrecci di parole e tanto altro arancione copertina flessibile 23 luglio 2018 di aa vv autore 157 voti visualizza tutti i formati ed edizioni

giochi e passatempo labirinti intrusi differenze intrecci di parole - Jul 31 2022

web jul 1 2019 giochi e passatempo labirinti intrusi differenze intrecci di parole e tanto altro il libro ideale per stimolare logica capacità di osservazione e confidenza nel maneggiare penna o matita i bambini potranno divertirsi per ore da soli o in compagnia età di lettura da 6 anni

[giochi e passatempo labirinti intrusi differenze intrecci di parole](#) - May 09 2023

web descrizione il libro ideale per stimolare logica capacità di osservazione e confidenza nel maneggiare penna o matita i bambini potranno divertirsi per ore da soli o in compagnia nella stessa collana giochi e passatempo verde e la raccolta di entrambi il grande libro età di lettura da 6 anni dettagli editore crescere

amazon com tr müşteri yorumları il grande libro dei giochi e - Oct 02 2022

web amazon com tr sitesinde il grande libro dei giochi e passatempo labirinti intrusi differenze intrecci di parole e tanto altro ürünü için faydalı müşteri yorumlarını ve derecelendirmeleri bulabilirsiniz kullanıcılarımızın samimi

il grande libro dei giochi e passatempo labirinti intrusi differenze - Jan 25 2022

web c'è una nuova edizione di questo articolo il grande libro dei giochi e passatempo labirinti intrusi differenze intrecci di parole e tanto altro 4 66 1 955 disponibilità immediata il libro ideale per stimolare logica capacità di osservazione e confidenza nel maneggiare penna o matita

history grade 10 exam papers and memos 2023 pdf download - Jun 12 2023

web relevant introduction indicated by a bullet in memorandum each of the main points aspects that is properly contextualised also indicated by bullets in the memorandum and a relevant conclusion indicated by a bullet in the memorandum e g in an answer where there are 5 main points there will be 7 ticks

grade 10 past papers memos history maths 101 - Dec 06 2022

web history government grade 10 past papers access the largest collection of past exam papers for grade 10 caps the memos and exam papers are available in afrikaans and english prepare for your grade 10 exams with our

[history grade10 memo 2014 2023 cyberlab sutd edu sg](#) - Jul 13 2023

web in 2014 2015 88 3 percent among first time grade 10 students who also reported themselves as grade 10 when they took the psat the average score was 979 of 1 520 40 points higher than the national sample slightly more than one half of first time grade 10 students were identified through the 2015 2016 psat

[history memorandum mycomlink](#) - Jul 01 2022

web oct 26 2021 tarih ilk insanla başlayan ve son insana kadar devam edecek bitmek bilmeyen bir deryadır gerek askeri gerek toplumsal gerekse siyasi pek çok konunun gündeme geldiği ders olan tarih 10

[history grade10 memo 2014 uniport edu ng](#) - Feb 25 2022

web sep 28 2021 history grade 10 2020 term 4 november past exam papers and memo pdf download important we have made a collection of all grade 10 study resources to assist all grade 10 students to successfully do exam revisions past papers with memos notes study guides and more complete pats assignments and tests preparations why

[grade 10 november 2018 history marking guideline](#) - Feb 08 2023

web dec 15 2021 are you in need of grade 10 past papers memos history it can be a challenge to look for the latest question papers and their respective memorandums let alone study guides see the downloadable link below for

[gr 10 t3 4 history revision booklet 2023 wced eportal](#) - Apr 29 2022

web jun 13 2023 history grade10 memo 2014 2 10 downloaded from uniport edu ng on june 13 2023 by guest friendship love mischief mystery and revenge the ashbury brookfield pen pal program is designed to bring together the two rival schools in a spirit of harmony and the joy of the envelope but when cassie lydia and emily send

[history grade10 memo 2014 pdf 2023 voto uncal edu](#) - Dec 26 2021

web apr 25 2023 said the history grade10 memo 2014 is universally compatible like any devices to read words of the champions 2021 the scripps national spelling bee 2020 08 21 does your child dream of winning a school spelling bee or even competing in the scripps national spelling bee in the washington d c area you ve found the perfect place to

[10 sınıf tarih konuları meb 2021 2022 10 sınıf tarih konuları](#) - Mar 29 2022

web history grade10 memo 2014 pdf in a fast paced world fueled by information and interconnectivity the spellbinding force of linguistics has acquired newfound prominence its capacity to evoke emotions stimulate contemplation and stimulate metamorphosis is actually astonishing

grade 10 november 2020 history version 1 - May 11 2023

web grade 10 history exam papers and memos pdf welcome to this page where you can access a wide range of grade 10 history exam papers and memos in pdf format for convenient and effortless downloading our collection includes a comprehensive selection of question papers and corresponding memos all meticulously organized and readily

[history grade 10 2020 term 4 november past exam papers and](#) - Nov 24 2021

history grade 10 past papers memos english 101 - Aug 14 2023

web dec 15 2021 are you in need of history grade 10 past papers memos it can be a challenge to look for the latest question papers and their respective memorandums english first additional language home language study

history grade 10 topic 1 contextual overview - Nov 05 2022

web past exam papers for grade 10 history 2023 2015 past march june september and november exam papers memos available in both afrikaans and english caps exam papers

past exam papers grade 10 history awsum school news - Oct 04 2022

web nobles clergy priests 3 x 1 3 1 5 2 explain information from source 1d 12 it depicts the heavy burden on the peasants

grade 10 history controlled tests and exam question papers - Apr 10 2023

web history memorandum mid year 2019 grade 10 1 history ncs memorandum nw mid year 2019 demo nw june hist emis 6 1 source based questions 1 1 the following levels of questions were used to develop source based questions cognitive levels historical skills weighting of

history grade10 memo 2014 uniport edu ng - Oct 24 2021

grade 10 history past exam papers - Aug 02 2022

web aug 24 2022 history grade 10 revision booklet term 3 and 4 2023 history grade 10 revision booklet term 3 and 4 2023 nsc past papers memos rainbow workbooks telematics booklets textbooks

history grade10 memo 2014 uniport edu ng - Jan 27 2022

web may 9 2023 history grade10 memo 2014 2 7 downloaded from uniport edu ng on may 9 2023 by guest education for sustainable development esd is globally acknowledged as a powerful driver of change empowering learners to make decisions and take actions needed to build a just and economically viable

history grade 10 past papers sa papers - Sep 03 2022

web aug 17 2021 list of history grade 10 2020 past papers and memos paper 1 history p1 gr10 qp nov2020 english download history p1 gr10 qp nov2020 afrikaans download history p1 gr10 memo nov2020 english download history p1 gr10 memo nov2020 afrikaans download history p1 gr10 addendum

grade 10 history term 2 exam question papers and - Jan 07 2023

web jan 29 2020 past exam papers grade 10 history by meinette van zyl 29th jan 2020 39719 0 title categories link tags past exam papers previous article past exam papers grade 10 next article past exam papers grade 10 related articles more from author past exam papers

history grade 10 2020 past papers and memos - May 31 2022

web may 11 2023 [history grade10 memo 2014](#) 1 7 downloaded from uniport edu ng on may 11 2023 by guest [history grade10 memo 2014](#) recognizing the mannerism ways to acquire this ebook [history grade10 memo 2014](#) is additionally useful you have remained in right site to start getting this info get the [history grade10 memo 2014](#)

grade 10 national senior certificate north west - Mar 09 2023

web memorandum each of the main points aspects that is properly contextualised also indicated by bullets in the memorandum and a relevant conclusion indicated by a bullet in the memorandum e g in an answer where there are 5 main points there will be 7 ticks 2 4 3 the following additional symbols can also be used

[history grade10 memo 2014 uniport edu ng](#) - Sep 22 2021

[kindergarten merit award comments](#) - Mar 29 2022

web [merit jelentései az angol magyar topszótárban](#) [merit magyarul képpel ismerd meg a merit magyar jelentéseit](#) [merit fordítása](#)

december merit award kindness caring tdsb school - Feb 25 2022

web [certificate comments merit award comment little aussie award monster of the moment certificates my reward merit chart stem iu yr 3 certificate of merit i am a rockstar](#)

63 positive comments for students to encourage and motivate - Jul 01 2022

web giving your children awards and certificates can be very beneficial for them any recent study done they were able to conclude that when a child receives appreciation by

[congratulations to the following children who received merit awards at](#) - Aug 14 2023

web [merit award comments sort relevance foundation year 90 preschool kindergarten 37 year 1 93 year 2 94 year 3 89 year 4 84 year 5 75 year 6 69 year 7 38 teaching](#)

[merit award comments teach starter](#) - Jul 13 2023

web 21 award ideas for kindergarten students mom advice line kindergarten students are learning and growing every day you can help them celebrate their success with rewards

[award and certificate templates for kids primary](#) - Feb 08 2023

web explore more than 32 merit award comments resources for teachers parents and pupils as well as related resources on comment bank for merit awards

award and certificate templates for kids primary resources - Nov 24 2021

[28 top merit certificate comments teaching resources](#) - Dec 26 2021

14 top comment bank for merit awards teaching resources - Apr 10 2023

web our award certificate template collection is perfect to use to reward and motivate your students featuring award trophies bookmarks and much more to celebrate children s

report card comments phrases for kindergarten teachervision - Jan 07 2023

web congratulations to the following children who received merit awards at the year 2 assembly a great effort kh pepper larkin her wonderful start to kinder pepper loves

results for merit award comments tpt - May 31 2022

web kindergarten merit award comments getting the books kindergarten merit award comments now is not type of challenging means you could not unaccompanied going

merit awards laura the explaura - Oct 04 2022

web may 18 2022 our team of teaching experts recently put together the top 32 kindergarten report card comments you may also like our end of year report card comments for

36 top merit award comments teaching resources curated for - May 11 2023

web certificate of merit for parental support during lockdown 5 0 1 review report writing bank of statements eal 4 8 20 reviews explore more than 14 comment bank for

merit jelentése magyarul topszótár - Jan 27 2022

web our award certificate template collection for kids is perfect to use to reward and motivate your students featuring award trophies bookmarks and much more

32 top merit award comments teaching resources curated for - Dec 06 2022

web mar 3 2022 teaching laura woodbury march 3 2022 merit awards award reasons award ideas positive reinforcement comment

report card comments phrases personality attitude - Aug 02 2022

web discuss spelling and math mental test results and yearly progress improvement of home reading levels exam results project marks naplan results etc comment on specific

certificates and awards merit kid pointz - Apr 29 2022

web june merit award perseverance may merit award integrity april merit award co operation march merit award honesty february merit award

congratulations to the following children who received merit - Nov 05 2022

web kindergarten 1st grade 2nd grade 3rd grade 4th grade 5th grade 6th grade 7th grade all grades

21 award ideas for kindergarten students mom advice line - Jun 12 2023

web explore more than 36 merit award comments resources for teachers parents and pupils as well as related resources on comment bank for merit awards

merit award comments teach starter - Sep 03 2022

web oct 14 2022 here are 39 positive comments you may consider giving to your students or their parents positive comments about a student s personality here are nine positive

award and certificate templates for kids primary - Mar 09 2023

web may 18 2022 we gathered the top report card comments for kindergarteners with these 32 ready to use remarks and examples of positive feedback for students and