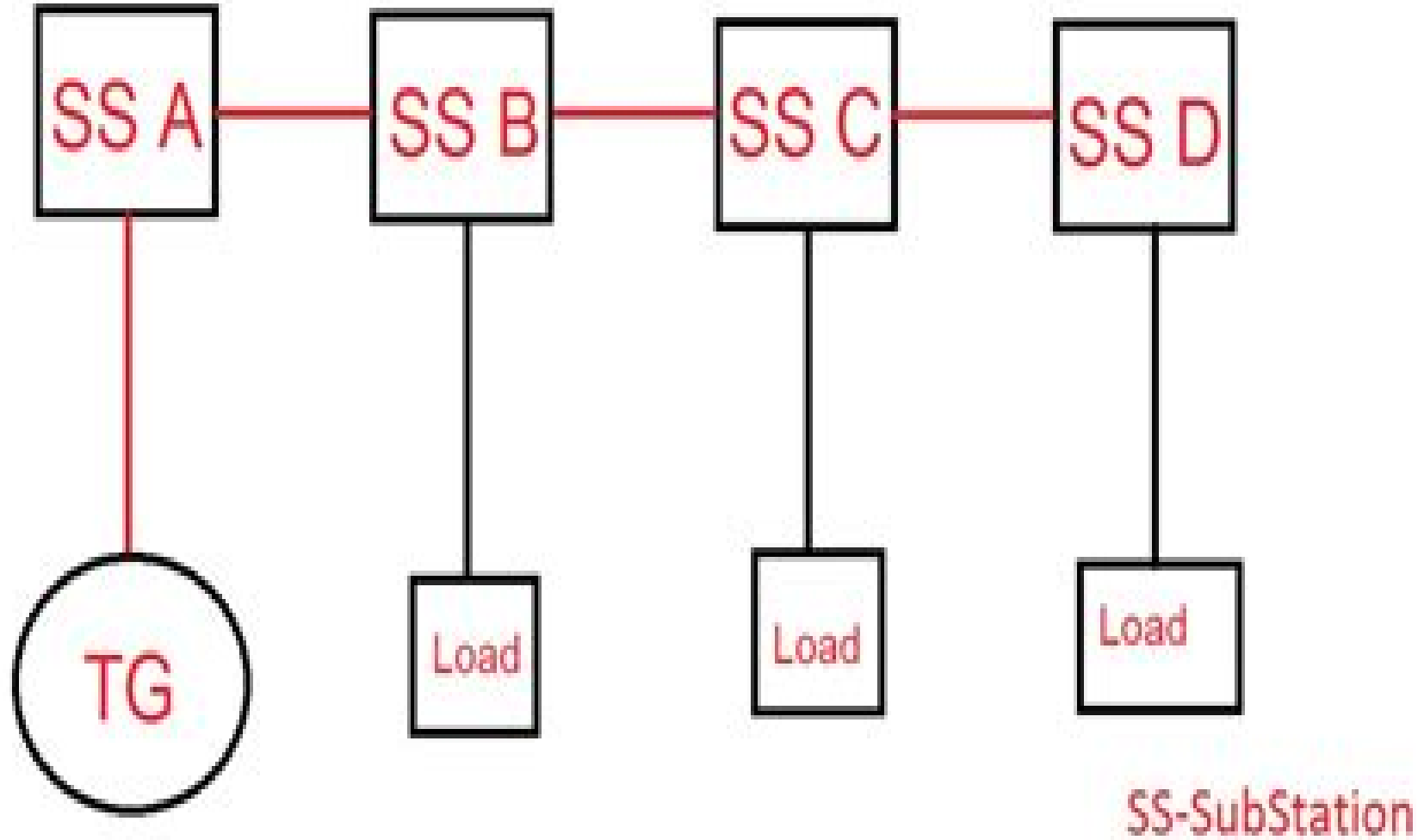


Relay Coordination



Operating Time: Substation A > Substation B > substation C > Substation D.

Relay Coordination

Ali R. Al-Roomi



Relay Coordination :

Protective Relaying Walter A. Elmore, 2003-09-09 Targeting the latest microprocessor technologies for more sophisticated applications in the field of power system short circuit detection this revised and updated source imparts fundamental concepts and breakthrough science for the isolation of faulty equipment and minimization of damage in power system apparatus The Second Edition clearly describes key procedures devices and elements crucial to the protection and control of power system function and stability It includes chapters and expertise from the most knowledgeable experts in the field of protective relaying and describes microprocessor techniques and troubleshooting strategies in clear and straightforward language

Protective Relay Principles Anthony M. Sleva, 2018-09-03 Improve Failure Detection and Optimize Protection In the ever evolving field of protective relay technology an engineer's personal preference and professional judgment are as important to power system protection as the physical relays used to detect and isolate abnormal conditions Invaluable Insights from an Experienced Expert Protective Relay Principles focuses on probable power system failure modes and the important characteristics of the protective relays used to detect these postulated failures The book presents useful new concepts in a way that is easier to understand because they are equally relevant to older electromechanical and solid state relays and newer more versatile microprocessor based relays It introduces the applications considerations and setting philosophies used in transmission line distribution line and substation applications covering concepts associated with general system operations and fault detection Topics include relay load limits cold load pickup voltage recovery and arc flash The author also delves into the philosophies that engineers employ in both urban and rural areas with a detailed consideration of setpoint function Analysis of Key Concepts That Are Usually Just Glossed Over This versatile text is ideal for new engineers to use as a tutorial before they open the instruction manuals that accompany multi function microprocessor based relays Guiding readers through the transient loading conditions that can result in relay misoperation the author elaborates on concepts that are not generally discussed but can be very helpful in specific applications Readers will come away with an excellent grasp of important design considerations for working with overcurrent over and undervoltage impedance distance and differential type relay functions either individually or in combination Also useful for students as a textbook this book includes practical examples for many applications and offers guidance for more unusual ones

Power System Protection and Relaying Samir I. Abood, John Fuller, 2023-09-29 This textbook provides an excellent focus on the advanced topics of the power system protection philosophy and gives exciting analysis methods and a cover of the important applications in the power systems relaying Each chapter opens with a historical profile or career talk followed by an introduction that states the chapter objectives and links the chapter to the previous ones and then the introduction for each chapter All principles are presented in a lucid logical step by step approach As much as possible the authors avoid wordiness and detail overload that could hide concepts and impede understanding In each chapter the authors

present some of the solved examples and applications using a computer program Toward the end of each chapter the authors discuss some application aspects of the concepts covered in the chapter using a computer program In recognition of requirements by the Accreditation Board for Engineering and Technology ABET on integrating computer tools the use of SCADA technology is encouraged in a student friendly manner SCADA technology using the Lucas Nulle GmbH system is introduced and applied gradually throughout the book Practice problems immediately follow each illustrative example Students can follow the example step by step to solve the practice problems without flipping pages or looking at the book s end for answers These practice problems test students comprehension and reinforce key concepts before moving on to the next section Power System Protection and Relaying Computer Aided Design Using SCADA Technology is intended as a textbook for a senior level undergraduate student in electrical and computer engineering departments and is appropriate for graduate students industry professionals researchers and academics The book has more than ten categories and millions of power readers It can be used in more than 400 electrical engineering departments at top universities worldwide Based on this information targeted lists of the engineers from specific disciplines including electrical computer power control technical power system protection design and distribution engineers Designed for a three hours semester course on power system protection and relaying the prerequisite for a course based on this book are knowledge of standard mathematics including calculus and complex numbers

Soft Computing for Problem Solving Jagdish Chand Bansal, Kedar Nath Das, Atulya Nagar, Kusum Deep, Akshay Kumar Ojha, 2018-12-14 This two volume book presents outcomes of the 7th International Conference on Soft Computing for Problem Solving SocProS 2017 This conference is a joint technical collaboration between the Soft Computing Research Society Liverpool Hope University UK the Indian Institute of Technology Roorkee the South Asian University New Delhi and the National Institute of Technology Silchar and brings together researchers engineers and practitioners to discuss thought provoking developments and challenges in order to select potential future directions The book presents the latest advances and innovations in the interdisciplinary areas of soft computing including original research papers in the areas including but not limited to algorithms artificial immune systems artificial neural networks genetic algorithms genetic programming and particle swarm optimization and applications control systems data mining and clustering finance weather forecasting game theory business and forecasting applications It is a valuable resource for both young and experienced researchers dealing with complex and intricate real world problems for which finding a solution by traditional methods is a difficult task

Advances in Electric Power and Energy Infrastructure Axaykumar Mehta, Abhishek Rawat, Priyesh Chauhan, 2020-01-14 This book gathers selected research papers presented at the International Conference on Power Control and Communication Infrastructure 2019 ICPCCI 2019 organized by the Institute of Infrastructure Technology Research and Management IITRAM Ahmedabad Gujarat India on July 4 5 2019 It highlights the latest advances trends and challenges in electrical power generation integration transmission distribution conversion storage

control electrical machines power quality energy management electrical infrastructure of future grids buildings cities transportation energy conversion plasma technology renewable energy grid integration energy storage systems power electronic converters power system protection security FACTS and HVDC power quality power system operation control computer applications in power systems energy management energy policies regulation power energy education restructured power system future grids buildings cities resiliency microgrids electrical machines drives transportation electrification optimal operation electricity gas water coordination condition monitoring predictive maintenance of electric equipment and asset management The solutions discussed here will encourage and inspire researchers industry professionals and policymakers to put these methods into practice

Fundamentals of Electric Power System Dr. Sandeep Sharma, Richa Chaudhary, Dr. Prashant Mani, Dr. Sudha K,

Electric power systems are at the heart of modern society powering homes businesses and industries around the globe As such a firm grasp of their fundamental principles is essential for anyone involved in the design operation or management of electrical infrastructure Throughout this book emphasis is placed not only on theoretical foundations but also on practical insights gleaned from real world engineering practices Case studies examples and illustrations are utilized to illustrate key concepts and demonstrate their relevance in solving real world problems

Artificial Intelligence Applications in Electrical Transmission and Distribution Systems Protection

Almoataz Y. Abdelaziz, Shady Hossam Eldeen Abdel Aleem, Anamika Yadav, 2021-10-21 Artificial intelligence AI can successfully help in solving real world problems in power transmission and distribution systems because AI based schemes are fast adaptive and robust and are applicable without any knowledge of the system parameters This book considers the application of AI methods for the protection of different types and topologies of transmission and distribution lines It explains the latest pattern recognition based methods as applicable to detection classification and location of a fault in the transmission and distribution lines and to manage smart power systems including all the pertinent aspects FEATURES Provides essential insight on uses of different AI techniques for pattern recognition classification prediction and estimation exclusive to power system protection issues Presents an introduction to enhanced electricity system analysis using decision making tools Covers AI applications in different protective relaying functions Discusses issues and challenges in the protection of transmission and distribution systems Includes a dedicated chapter on case studies and applications This book is aimed at graduate students researchers and professionals in electrical power system protection stability and smart grids

Relay Coordination Scheme for an Industrial Power Systems Man Mohan Mitter, 1965 *Recent Trends in Power*

Engineering Ismail Musirin, Shahril Irwan Sulaiman, 2015-08-24 Selected peer reviewed papers from the 2015 9th

International Power Engineering and Optimization Conference PEOCO 2015 March 18 19 2015 Melaka Malaysia

Conference Proceedings IEEE Power Engineering Society. Summer Meeting, 2001 Optimal Coordination of Power

Protective Devices with Illustrative Examples Ali R. Al-Roomi, 2021-12-14 Optimal Coordination of Power Protective Devices

with Illustrative Examples Provides practical guidance on the coordination issue of power protective relays and fuses Protecting electrical power systems requires devices that isolate the components that are under fault while keeping the rest of the system stable Optimal Coordination of Power Protective Devices with Illustrative Examples provides a thorough introduction to the optimal coordination of power systems protection using fuses and protective relays Integrating fundamental theory and real world practice the text begins with an overview of power system protection and optimization followed by a systematic description of the essential steps in designing optimal coordinators using only directional overcurrent relays Subsequent chapters present mathematical formulations for solving many standard test systems and cover a variety of popular hybrid optimization schemes and their mechanisms The author also discusses a selection of advanced topics and extended applications including adaptive optimal coordination optimal coordination with multiple time current curves and optimally coordinating multiple types of protective devices Optimal Coordination of Power Protective Devices Covers fuses and overcurrent directional overcurrent and distance relays Explains the relation between fault current and operating time of protective relays Discusses performance and design criteria such as sensitivity speed and simplicity Includes an up to date literature review and a detailed overview of the fundamentals of power system protection Features numerous illustrative examples practical case studies and programs coded in MATLAB programming language Optimal Coordination of Power Protective Devices with Illustrative Examples is the perfect textbook for instructors in electric power system protection courses and a must have reference for protection engineers in power electric companies and for researchers and industry professionals specializing in power system protection Protective Relaying for Power Systems II Stanley H. Horowitz,1992 **Records and Briefs New York State Appellate Division** , Handbook of Electric Power Calculations Arthur H. Seidman,Haroun Mahrous,1997 Electric power engineers and technicians can turn to the revision of this popular handbook for step by step calculation procedures for solving over 300 problems commonly encountered in electrical power engineering Included are calculations for such areas as network analysis ac and dc machines transformers transmission lines system stability grounding lighting design batteries and engineering economics 250 illustrations **Electric Light & Power** ,1927 **Technical Association of the Pulp and Paper Industry** ,1968 **IEEE Standards** Institute of Electrical and Electronics Engineers,1993 Yearly Proceedings - Association of Iron and Steel Engineers Association of Iron and Steel Engineers,1954 *Sixth International Conference on Developments in Power System Protection, 25-27 March, 1997* ,1997 **Power System Relaying** Stanley H. Horowitz,Arun G. Phadke,1995-07-11 The theory and fundamentals of relaying continue to constitute the major part of this edition which includes concepts and practices that add another dimension to the study of power system protection Contains new material covering the monitoring of power system performance and fault analysis a section on power plant auxiliary systems and an account of the emerging technology of Static VAR Compensators Distribution protection concepts have been expanded to bridge the gap between the

protection of distribution and transmission systems The Subject Index has been significantly revised to facilitate reference from equipment and operating perspectives

This is likewise one of the factors by obtaining the soft documents of this **Relay Coordination** by online. You might not require more grow old to spend to go to the ebook opening as well as search for them. In some cases, you likewise get not discover the statement Relay Coordination that you are looking for. It will very squander the time.

However below, in imitation of you visit this web page, it will be suitably definitely simple to get as well as download lead Relay Coordination

It will not endure many mature as we notify before. You can realize it even though play a part something else at house and even in your workplace. therefore easy! So, are you question? Just exercise just what we give under as skillfully as evaluation **Relay Coordination** what you bearing in mind to read!

<https://py.bijouxmedusa.com/book/Resources/default.aspx/tiktok%20marketing%20software%20for%20small%20business%2015%20682%20tiktok%20marketing.pdf>

Table of Contents Relay Coordination

1. Understanding the eBook Relay Coordination
 - The Rise of Digital Reading Relay Coordination
 - Advantages of eBooks Over Traditional Books
2. Identifying Relay Coordination
 - Exploring Different Genres
 - Considering Fiction vs. Non-Fiction
 - Determining Your Reading Goals
3. Choosing the Right eBook Platform
 - Popular eBook Platforms
 - Features to Look for in an Relay Coordination
 - User-Friendly Interface
4. Exploring eBook Recommendations from Relay Coordination

- Personalized Recommendations
- Relay Coordination User Reviews and Ratings
- Relay Coordination and Bestseller Lists
- 5. Accessing Relay Coordination Free and Paid eBooks
 - Relay Coordination Public Domain eBooks
 - Relay Coordination eBook Subscription Services
 - Relay Coordination Budget-Friendly Options
- 6. Navigating Relay Coordination eBook Formats
 - ePub, PDF, MOBI, and More
 - Relay Coordination Compatibility with Devices
 - Relay Coordination Enhanced eBook Features
- 7. Enhancing Your Reading Experience
 - Adjustable Fonts and Text Sizes of Relay Coordination
 - Highlighting and Note-Taking Relay Coordination
 - Interactive Elements Relay Coordination
- 8. Staying Engaged with Relay Coordination
 - Joining Online Reading Communities
 - Participating in Virtual Book Clubs
 - Following Authors and Publishers Relay Coordination
- 9. Balancing eBooks and Physical Books Relay Coordination
 - Benefits of a Digital Library
 - Creating a Diverse Reading Collection Relay Coordination
- 10. Overcoming Reading Challenges
 - Dealing with Digital Eye Strain
 - Minimizing Distractions
 - Managing Screen Time
- 11. Cultivating a Reading Routine Relay Coordination
 - Setting Reading Goals Relay Coordination
 - Carving Out Dedicated Reading Time
- 12. Sourcing Reliable Information of Relay Coordination

-
- Fact-Checking eBook Content of Relay Coordination
 - Distinguishing Credible Sources
13. Promoting Lifelong Learning
- Utilizing eBooks for Skill Development
 - Exploring Educational eBooks
14. Embracing eBook Trends
- Integration of Multimedia Elements
 - Interactive and Gamified eBooks

Relay Coordination Introduction

Relay Coordination Offers over 60,000 free eBooks, including many classics that are in the public domain. Open Library: Provides access to over 1 million free eBooks, including classic literature and contemporary works. Relay Coordination Offers a vast collection of books, some of which are available for free as PDF downloads, particularly older books in the public domain. Relay Coordination : This website hosts a vast collection of scientific articles, books, and textbooks. While it operates in a legal gray area due to copyright issues, its a popular resource for finding various publications. Internet Archive for Relay Coordination : Has an extensive collection of digital content, including books, articles, videos, and more. It has a massive library of free downloadable books. Free-eBooks Relay Coordination Offers a diverse range of free eBooks across various genres. Relay Coordination Focuses mainly on educational books, textbooks, and business books. It offers free PDF downloads for educational purposes. Relay Coordination Provides a large selection of free eBooks in different genres, which are available for download in various formats, including PDF. Finding specific Relay Coordination , especially related to Relay Coordination , might be challenging as theyre often artistic creations rather than practical blueprints. However, you can explore the following steps to search for or create your own Online Searches: Look for websites, forums, or blogs dedicated to Relay Coordination , Sometimes enthusiasts share their designs or concepts in PDF format. Books and Magazines Some Relay Coordination books or magazines might include. Look for these in online stores or libraries. Remember that while Relay Coordination , sharing copyrighted material without permission is not legal. Always ensure youre either creating your own or obtaining them from legitimate sources that allow sharing and downloading. Library Check if your local library offers eBook lending services. Many libraries have digital catalogs where you can borrow Relay Coordination eBooks for free, including popular titles. Online Retailers: Websites like Amazon, Google Books, or Apple Books often sell eBooks. Sometimes, authors or publishers offer promotions or free periods for certain books. Authors Website Occasionally, authors provide excerpts or short stories for free on their websites. While this might not be the Relay Coordination full book , it can give you

a taste of the authors writing style. Subscription Services Platforms like Kindle Unlimited or Scribd offer subscription-based access to a wide range of Relay Coordination eBooks, including some popular titles.

FAQs About Relay Coordination Books

How do I know which eBook platform is the best for me? Finding the best eBook platform depends on your reading preferences and device compatibility. Research different platforms, read user reviews, and explore their features before making a choice. Are free eBooks of good quality? Yes, many reputable platforms offer high-quality free eBooks, including classics and public domain works. However, make sure to verify the source to ensure the eBook credibility. Can I read eBooks without an eReader? Absolutely! Most eBook platforms offer web-based readers or mobile apps that allow you to read eBooks on your computer, tablet, or smartphone. How do I avoid digital eye strain while reading eBooks? To prevent digital eye strain, take regular breaks, adjust the font size and background color, and ensure proper lighting while reading eBooks. What the advantage of interactive eBooks? Interactive eBooks incorporate multimedia elements, quizzes, and activities, enhancing the reader engagement and providing a more immersive learning experience. Relay Coordination is one of the best book in our library for free trial. We provide copy of Relay Coordination in digital format, so the resources that you find are reliable. There are also many Ebooks of related with Relay Coordination . Where to download Relay Coordination online for free? Are you looking for Relay Coordination PDF? This is definitely going to save you time and cash in something you should think about.

Find Relay Coordination :

TikTok marketing software for small business 15-682 TikTok marketing
learning basics examples USA 15-606 machine learning basics examples
for small business 15-916 AI marketing review USA 15-1851 AI marketing
entrepreneurs 15-122 coding for beginners strategies USA 15-197 coding
productivity hacks examples United States 15-1319 productivity hacks
15-812 online business step by step for startups 15-1985 online business
comparison America 15-1440 AI tools comparison America 15-881 AI tools
ideas for startups 15-1165 remote jobs review United States 15-10 remote
for beginners trends for small business 15-74 coding for beginners

Instagram growth best practices United States 15-2608 Instagram growth America 15-719 wearable technology checklist America 15-1162 wearable 15-846 AI marketing guide for small business 15-1636 AI marketing guide business 15-1960 remote work apps USA 15-2580 remote work apps for United States 15-330 mental wellness comparison for entrepreneurs 15-735 computing ideas for entrepreneurs 15-204 cloud computing ideas for

Relay Coordination :

network flows theory algorithms and applications google - May 16 2023

web a comprehensive introduction to network flows that brings together the classic and the contemporary aspects of the field and provides an integrative view of theory algorithms and

network flows theory algorithms and applications - Feb 13 2023

web dec 31 1992 abstract a comprehensive introduction to network flows that brings together the classic and the contemporary aspects of the field and provides an integrative view of theory algorithms and applications presents in depth self contained treatments of shortest path maximum flow and minimum cost flow problems including

network flows theory algorithms and applications pearson - Jan 12 2023

web feb 18 1993 extend your professional development and meet your students where they are with free weekly digital learning now webinars attend live watch on demand or listen at your leisure to expand your teaching strategies

network flows pearson new international edition theory algorithms - Dec 11 2022

web nov 1 2013 network flows is an exciting field that brings together what many students theory algorithms and applications ravindra ahuja thomas l magnanti covering literally thousands of applications in such wide ranging fields as chemistry and physics

james b orlin mit personal faculty - Mar 14 2023

web network flows theory algorithms and applications ravindra k ahuja thomas l magnanti and james b orlin this comprehensive text and reference book on network flows brings together the classic and contemporary aspects of the field providing an integrative view of theory algorithms and applications

network flows theory algorithms and applications guide books - Apr 15 2023

web a hybrid algorithm based on tabu search and generalized network algorithm for designing multi objective supply chain networks neural computing and applications 34 23 20973 20992 online publication date 1 dec 2022

network flow theory and applications with practical impact - May 04 2022

web network flow theory and applications with practical impact in doležal j fidler j eds system modelling and optimization ifip the international federation for information processing

[network flows theory algorithms and applications](#) - Sep 20 2023

web nov 1 1994 network flows theory algorithms and applications david k smith journal of the operational research society 45 1340 1994 cite this article 1179 accesses

[pdf network flows researchgate](#) - Oct 09 2022

web jan 1 1993 in this paper we introduce the maximum static and maximum dynamic multi commodity flow problems with proportional capacity sharing and present polynomial time algorithms to solve the problems

[pdf comp251 network flows semantic scholar](#) - Mar 02 2022

web this work investigates optimization problems in a realistic model for wireless network design called activation network and proposes polynomial time algorithms that optimally solve the st mandp st maedp minimum activation steiner tree and the problem of finding minimum activation cost node disjoint paths between k disjoint terminal pairs for

network flow algorithms algorithmics complexity computer - Jul 06 2022

web network flow theory has been used across a number of disciplines including theoretical computer science operations research and discrete math to model not only problems in the transportation of goods and information but also a wide range of applications from image segmentation problems in computer vision to deciding when a baseball team has

[network flows theory algorithms and applications](#) - Aug 07 2022

web computer science 2015 tldr a new mixed integer programming formulation for the curriculum based course timetabling problem is presented that contains an underlying network model by dividing the problem into two models and then connecting the two models back into one model using a maximum flow problem expand

network flows theory algorithms and applications guide books - Aug 19 2023

web mar 1 2017 abstract a comprehensive introduction to network flows that brings together the classic and the contemporary aspects of the field and provides an integrative view of theory algorithms and applications presents in depth self contained treatments of shortest path maximum flow and minimum cost flow problems including

network flow theory and applications with practical impact - Nov 10 2022

web network flow theory is one of the best studied and developed fields of optimization and has important relations to quite different fields of science and technology such as combinatorial mathematics algebraic topology electric circuit theory nonlinear continuum theory including plasticity theory geographic information systems vlsi design

[network flows massachusetts institute of technology](#) - Oct 21 2023

web jun1 networkflows overview introduction 1 1applications 1 2complexityanalysis 1 3notationanddefinitions 1

4networkrepresentations 1 5searchalgorithms 1 6developingpolynomialtimealgorithms basicpropertiesofnetworkflows 21
 flowdecompositionpropertiesandoptimalityconditions

flows in complex networks theory algorithms and application - Apr 03 2022

web here we give a brief summary of the theory then discuss algorithms based on it that can be used to characterize the flows on the network we also comment on the connections between tpt and spectral approaches to network analysis bovier s potential theoretic approach to metastability in mjps and large deviation theory

network flows theory algorithms and applications semantic - Jun 17 2023

web network flows theory algorithms and applications in depth self contained treatments of shortest path maximum flow and minimum cost flow problems including descriptions of polynomial time algorithms for these core models are presented

applications of dspace mit edu - Sep 08 2022

web network optimization problems the shortest path problem the maximum flow problem the minimum cost flow problem assignment and matching problems and the minimum spanning tree problem we describe 25 applications of these problems and provide references for more than 100 additional applications this paper is

network flows theory algorithms and applications academia edu - Jun 05 2022

web chapter 5 a language for contextual logic programming luis monteiro and antbnio porto chapter 6 an introduction to l o francis g mccabe ravindra k abuja thomas l magnanti and james b orlin network flows theory algorithms and applications prentice hall englewood cliffs nj 1993 846 pages chapter 1 introduction

network flows theory algorithms and applications - Jul 18 2023

web feb 18 1993 devotes a special chapter to conducting empirical testing of algorithms features over 150 applications of network flows to a variety of engineering management and scientific domains contains extensive reference notes and illustrations

die buchenlanddeutschen kosiul willi 9783956315534 - May 31 2022

web die buchenlanddeutschen by kosiul willi isbn 10 3956315537 isbn 13 9783956315534 shaker media gmbh 2017 hardcover

willi kosiul die buchenlanddeutschen shaker - May 11 2023

web wer sind die buchenlanddeutschen die buchenlanddeutschen waren eine kleine deutsche volksgruppe in südosteuropa die dort im zeitraum von 1774 bis 1940 gelebt hatte in den jahren zwischen 1774 und 1845 kamen

bukowinadeutsche wikipedia - Oct 16 2023

web die bukowinadeutschen rumänisch germani bucovineni oder nemți bucovineni oder buchenlanddeutschen sind eine zur deutschsprachigen minderheit der rumäniendeutschen zählende volksgruppe die von etwa 1780 bis 1940 hauptsächlich in

der historischen landschaft bukowina lebten

bukowinafreunde plattform für buchenlanddeutsche und - Oct 04 2022

web verbindungsplattform für buchenlanddeutsche deren nachkommen und an der bukowina interessierte weltweit geschichte der bukowina familienforschung czernowitz heimat vieler nationalitäten czernowitz bukowina deutschsprachige literatur literatur

die buchenlanddeutschen die geschichte der bukowina youtube - Sep 15 2023

web mar 9 2023 36k views 6 months ago die buchenlanddeutschen waren eine deutsche volksgruppe welche mehrere jahrhunderte im sogenannten buchenland auch bukowina genannt lebte sie standen um die

description die buchenlanddeutschen - Sep 03 2022

web wer sind die buchenlanddeutschen published 1996 wer sind die buchenlanddeutschen published 1996 10 jahre landsmannschaft der buchenlanddeutschen 1949 1959 gründung werdegang und jubiläum by prelitsch hans published 1959

die buchenlanddeutschen in searchworks catalog - Jan 07 2023

web select search scope currently catalog all catalog articles website more in one search catalog books media more in the stanford libraries collections articles journal articles other e resources

die buchenlanddeutschen pdf amoa arthouse - Feb 25 2022

web akten um die deutsche volksgruppe in rumänien 1937 1945 die bukowina und ihre buchenlanddeutschen die umsiedlungslager der volksdeutschen mittelstelle im gau württemberg hohenzollern 1940 1945 vergesst vor allem nicht die armen und kranken die heimatlosen und fremden bibliographie zur kultur und landeskunde der bukowina

die buchenlanddeutschen kosiul willi amazon de bücher - Jun 12 2023

web wer sind die buchenlanddeutschen die buchenlanddeutschen waren eine kleine deutsche volksgruppe in südosteuropa die dort im zeitraum von 1774 bis 1940 gelebt hatte

landsmannschaft der buchenlanddeutschen wikipedia - Aug 14 2023

web die landsmannschaft der buchenlanddeutschen e v war ein vertriebenenverband der die aus der bukowina 1940 umgesiedelten bukowinadeutschen vertrat er wurde im oktober 1949 unter dem namen landsmannschaft der deutschen umsiedler aus der bukowina in münchen gegründet

die buchenlanddeutschen kosiul willi amazon de books - Mar 29 2022

web select the department you want to search in

die buchenlanddeutschen german edition kindle edition - Apr 10 2023

web apr 11 2017 die buchenlanddeutschen german edition kindle edition by kosiul willi download it once and read it on your kindle device pc phones or tablets use features like bookmarks note taking and highlighting while reading die

[die buchenlanddeutschen by willi kosiul goodreads](#) - Mar 09 2023

web in den jahren zwischen 1774 und 1845 kamen deutsche einwanderer aus altösterreich aus dem südwestdeutschen raum aus böhmen sowie aus der slowakischen zips in dieses neue österreichische kronland und siedelten sich dort für immer an diese vier verschiedenen deutschen gruppen entwickelten sich dort zu einer einheitlichen

die buchenlanddeutschen kosiul willi amazon com au - Feb 08 2023

web die buchenlanddeutschen kosiul willi on amazon com au free shipping on eligible orders die buchenlanddeutschen [amazon com](#) - Apr 29 2022

web jun 7 2017 select the department you want to search in

downloadable free pdfs die buchenlanddeutschen - Jul 13 2023

web mit fluchtgepäck die heimat verlassen apr 17 2023 schriftenreihe der landesmannschaft der buchenlanddeutschen bukowina jun 19 2023 die bukowina und ihre buchenlanddeutschen jan 14 2023 mei ahrefeld aug 17 2020 vom moldauwappen zum doppeladler feb 09 2020 ergebnisse der familienforschung in

staff view the bukovina germans - Aug 02 2022

web originally published in the federal republic of germany under the title die buchenlanddeutschen vol 13 of kulturelle arbeitshefte ed by barbara konitz bonn bund der vertriebenen 1986 includes bibliographical references p 19 21

die buchenlanddeutschen bücher de - Nov 05 2022

web die buchenlanddeutschen waren eine kleine deutsche volksgruppe in südosteuropa die dort im zeitraum von 1774 bis 1940 gelebt hatte stöbern sie im onlineshop von buecher de und kaufen sie ihre artikel versandkostenfrei und ohne mindestbestellwert

[buchenlanddeutsche deutsche volksgruppen in europa und asien](#) - Dec 06 2022

web die buchenlanddeutschen oder bukowinadeutschen waren eine deutsche volksgruppe die ab etwa 1780 bis 1940 in der bukowina lebte heute sind sie bis auf wenige einzelpersonen dort kaum noch vertreten in ihrer 150 jährigen geschichte waren die bukowinadeutschen eine überwiegend bäuerliche bevölkerung

staff view die buchenlanddeutschen - Jul 01 2022

web wer sind die buchenlanddeutschen published 1996 wer sind die buchenlanddeutschen published 1996 10 jahre landsmannschaft der buchenlanddeutschen 1949 1959 gründung werdegang und jubiläum by prelitsch hans published 1959 [microsoft office 2010 illustrated fundamentals available titles](#) - Oct 10 2022

web microsoft office 2010 illustrated fundamentals available titles skills assessment manager sam office 2010 by waxer barbara m isbn 10 053874944x isbn 13 9780538749442 course technology 2010 softcover

microsoft certified fundamentals microsoft learn - Jul 07 2022

web grow your expertise across microsoft 365 with microsoft 365 fundamentals build your understanding of office apps
microsoft teams microsoft viva and all that microsoft 365 has to offer prove your knowledge of the modern tools that improve
productivity and enhance collaboration across hybrid work environments with this practical certification

[microsoft office 2010 fundamentals by laura story goodreads](#) - Feb 14 2023

web feb 16 2010 5 00 1 rating0 reviews teach your introductory level class the essentials of the microsoft office 2010
software applications with microsoft office 2010 fundamentals part of the origins series this text is ideal for inexperienced
computer users who need to learn microsoft office 2010 skills for everyday life

microsoft office 2010 fundamentals spiral bound amazon - Jul 19 2023

web microsoft office 2010 fundamentals story laura walls dawna amazon sg books

[office 2010 download office 2010 microsoft office](#) - Mar 03 2022

web support for office 2010 has ended updates are required to stay supported please update to microsoft 365 to get product
support find more information here exclusive new features every month get always up to date office applications like word
excel powerpoint outlook and onenote that you know and trust work across multiple devices

microsoft office 2010 fundamentals google books - Oct 22 2023

web aug 25 2010 microsoft office 2010 fundamentals laura story dawna walls cengage learning aug 25 2010

librarika microsoft office 2010 illustrated fundamentals - Aug 08 2022

web loved by instructors for its visual and flexible way to build computer skills the illustrated series is ideal for teaching
microsoft office 2010 to both computer rookies and hotshots each two page spread focuses on a single skill making
information easy to

microsoft office 2010 brief office fundamentals and microsoft word - Apr 04 2022

web an office feature that provides access to common formatting commands when text is selected located on the left side of
the windows explorer window providing access to favorites libraries homegroup computer and network areas organizes and
lists the database objects in an access database places a cut or copied item in another location

microsoft office 2010 illustrated fundamentals google books - Jun 18 2023

web aug 26 2010 microsoft office 2010 illustrated fundamentals barbara waxer marjorie hunt cengage learning aug 26 2010
computers 424 pages loved by instructors for its visual and flexible way to

free office 2010 tutorials at gcfglobal - May 17 2023

web in this free word 2010 tutorial learn how to format text use paragraph di tutorial acquire the essential skills needed for
producing professional work using microsoft access excel outlook powerpoint publisher and word in the office 2010 suite

microsoft office 2010 illustrated fundamentals guide books - Apr 16 2023

web microsoft office 2010 illustrated fundamentals august 2010 august 2010 read more authors marjorie hunt barbara m waxer

[microsoft office 2010 fundamentals book](#) - Sep 21 2023

web microsoft office 2010 illustrated fundamentals jun 15 2023 loved by instructors for its visual and flexible way to build computer skills the illustrated series is ideal for teaching microsoft office 2010 to both computer rookies and hotshots

[microsoft office 2010 illustrated fundamentals availa](#) - Jan 13 2023

web aug 25 2010 loved by instructors for its visual and flexible way to build computer skills the illustrated series is ideal for teaching microsoft office 2010 to both computer rookies and hotshots each two page spread focuses on a single skill

microsoft office 2010 illustrated fundamentals available titles - Dec 12 2022

web aug 26 2010 loved by instructors for its visual and flexible way to build computer skills the illustrated series is ideal for teaching microsoft office 2010 to both computer rookies and hotshots each two page spread focuses on a single skill

[microsoft office 2010 fundamentals by barbara m waxer alibris](#) - Sep 09 2022

web buy microsoft office 2010 fundamentals by barbara m waxer online at alibris we have new and used copies available in 1 editions starting at 0 99 shop now

[microsoft office 2010 fundamentals creative organizational](#) - Nov 11 2022

web the microsoft office 2010 fundamentals adaptive test measures basic knowledge of microsoft word microsoft excel microsoft powerpoint and microsoft outlook test topics in ms word include layout and formatting revising and printing and standard word functions

microsoft office 2010 fundamentals middle school solutions - Jun 06 2022

web aug 25 2010 teach your introductory level class the essentials of the microsoft office 2010 software applications with microsoft office 2010 fundamentals part of the origins series this text is ideal for inexperienced computer users who need to learn microsoft office 2010 skills for everyday life

microsoft office 2010 fundamentals middle school solutions - May 05 2022

web teach your introductory level class the essentials of the microsoft office 2010 software applications with microsoft office 2010 fundamentals part of the origins series this text is ideal for inexperienced computer users who need to

[microsoft office 2010 illustrated fundamentals google books](#) - Aug 20 2023

web aug 26 2010 loved by instructors for its visual and flexible way to build computer skills the illustrated series is ideal for teaching microsoft office 2010 to both computer rookies and hotshots each

microsoft office 2010 illustrated fundamentals semantic scholar - Mar 15 2023

web the illustrated series is ideal for learning microsoft office 2010 for both computer rookies and hotshots with each two

page spread focusing on a single skill making information easy to follow and absorb