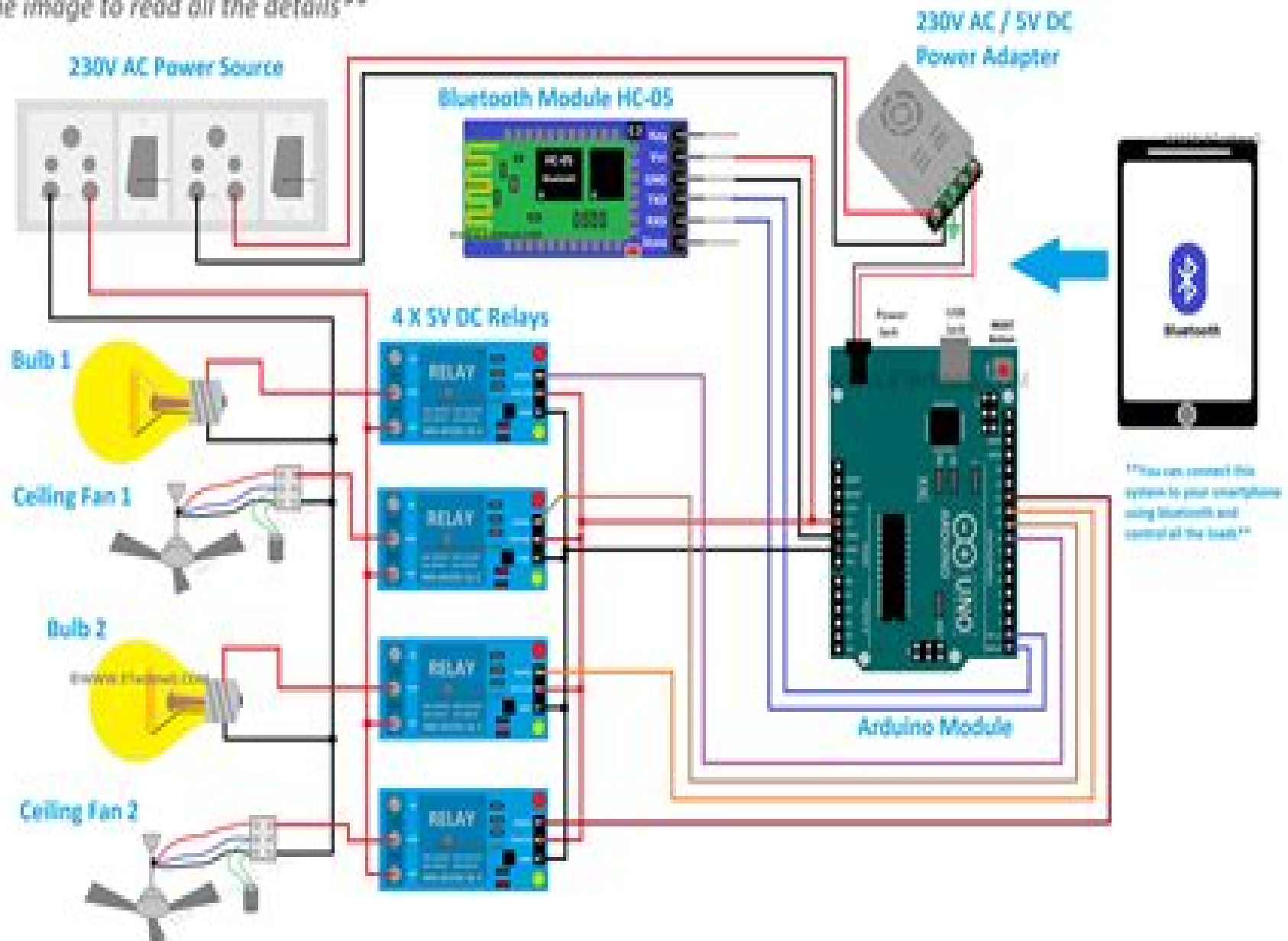


Figure.01:

Smart Home Automation System using Arduino

Zoom in the image to read all the details



Bluetooth Based Home Automation And Security System Using Arm9

**Durgesh Kumar Mishra,Ahmad Taher
Azar,Amit Joshi**



Bluetooth Based Home Automation And Security System Using Arm9:

Handbook of Research on the IoT, Cloud Computing, and Wireless Network Optimization Singh, Surjit, Mohan Sharma, Rajeev, 2019-03-29 ICT technologies have contributed to the advances in wireless systems which provide seamless connectivity for worldwide communication. The growth of interconnected devices and the need to store, manage, and process the data from them has led to increased research on the intersection of the internet of things and cloud computing. The Handbook of Research on the IoT, Cloud Computing, and Wireless Network Optimization is a pivotal reference source that provides the latest research findings and solutions for the design and augmentation of wireless systems and cloud computing. The content within this publication examines data mining, machine learning, and software engineering and is designed for IT specialists, software engineers, researchers, academicians, industry professionals, and students. **Intelligent**

Communication, Control and Devices Rajesh Singh, Sushabhan Choudhury, Anita Gehlot, 2018-04-10 The book focuses on the integration of intelligent communication systems, control systems, and devices related to all aspects of engineering and sciences. It contains high-quality research papers presented at the 2nd international conference ICICCD 2017 organized by the Department of Electronics, Instrumentation, and Control Engineering of University of Petroleum and Energy Studies, Dehradun, on 15 and 16 April 2017. The volume broadly covers recent advances of intelligent communication, intelligent control, and intelligent devices. The work presented in this book is original research work, findings, and practical development experiences of researchers, academicians, scientists, and industrial practitioners. **Wearable/Personal Monitoring**

Devices Present to Future Gaetano D. Gargiulo, Ganesh R. Naik, 2021-10-26 This book discusses recent advances in wearable technologies and personal monitoring devices, covering topics such as skin contact-based wearables, electrodes, non-contact wearables, the Internet of Things (IoT), and signal processing for wearable devices. Although it chiefly focuses on wearable devices and provides comprehensive descriptions of all the core principles of personal monitoring devices, the book also features a section on devices that are embedded in smart appliances, furniture, e.g., chairs, which, despite their limitations, have taken the concept of unobtrusiveness to the next level. Wearable and personal devices are the key to precision medicine, and the medical community is finally exploring the opportunities offered by long-term monitoring of physiological parameters that are collected during day-to-day life without the bias imposed by the clinical environment. Such data offers a prime view of individuals' physical condition, as well as the efficacy of therapy and occurrence of events. Offering an in-depth analysis of the latest advances in smart and pervasive wearable devices, particularly those that are unobtrusive and invisible, and addressing topics not covered elsewhere, the book will appeal to medical practitioners and engineers alike.

Metaheuristic and Machine Learning Optimization Strategies for Complex Systems R., Thanigaivelan, M., Suchithra, S., Kaliappan, Mothilal, T., 2024-07-17 In contemporary engineering domains, optimization and decision-making issues are crucial. Given the vast amounts of available data, processing times and memory usage can be substantial.

Developing and implementing novel heuristic algorithms is time consuming yet even minor improvements in solutions can significantly reduce computational costs. In such scenarios, the creation of heuristics and metaheuristic algorithms has proven advantageous. The convergence of machine learning and metaheuristic algorithms offers a promising approach to address these challenges. Metaheuristic and Machine Learning Optimization Strategies for Complex Systems covers all areas of comprehensive information about hyper heuristic models, hybrid meta heuristic models, nature inspired computing models, and meta heuristic models. The key contribution of this book is the construction of a hyper heuristic approach for any general problem domain from a meta heuristic algorithm. Covering topics such as cloud computing, internet of things, and performance evaluation, this book is an essential resource for researchers, postgraduate students, educators, data scientists, machine learning engineers, software developers, and engineers, policy makers, and more.

Emerging Trends in Electrical, Communications, and Information Technologies T. Hitendra Sarma, V. Sankar, Rafi Ahamed Shaik, 2019-09-24. This book includes original peer reviewed research from the 3rd International Conference on Emerging Trends in Electrical Communication and Information Technologies ICECIT 2018 held at Srinivasa Ramanujan Institute of Technology Ananthapuramu Andhra Pradesh India in December 2018. It covers the latest research trends and developments in the areas of Electrical Engineering, Electronic and Communication Engineering, and Computer Science and Information **Research Anthology on Cross-Disciplinary Designs and Applications of Automation** Management Association, Information Resources, 2021-10-29. Throughout human history, technological advancements have been made for the ease of human labor. With our most recent advancements, it has been the work of scholars to discover ways for machines to take over a large part of this labor and reduce human intervention. These advancements may become essential processes to nearly every industry. It is essential to be knowledgeable about automation so that it may be applied. **Research Anthology on Cross Disciplinary Designs and Applications of Automation** is a comprehensive resource on the emerging designs and application of automation. This collection features a number of authors spanning multiple disciplines such as home automation, healthcare automation, government automation, and more. Covering topics such as human machine interaction, trust, calibration, and sensors, this research anthology is an excellent resource for technologists, IT specialists, computer engineers, systems and software engineers, manufacturers, engineers, government officials, professors, students, healthcare administration managers, CEOs, researchers, and academicians.

Integrated Green Energy Solutions, Volume 1 Milind Shrinivas Dangate, W. S. Sampath, O. V. Gnana Swathika, Sanjeevikumar Padmanaban, 2023-05-12. **INTEGRATED GREEN ENERGY SOLUTIONS**. This first volume in a two volume set presents the state of the art for the concepts, practical applications, and future of renewable energy and how to move closer to true sustainability. Renewable energy supplies are of ever increasing environmental and economic importance in every country worldwide. A wide range of renewable energy technologies has been established commercially and recognized as an important set of growth industries for most governments. World agencies including the United Nations

have extensive programs to encourage these emerging technologies This book will bridge the gap between descriptive reviews and specialized engineering technologies It centers on demonstrating how fundamental physical processes govern renewable energy resources and their applications Although the applications are updated continually the fundamental principles remain the same and this book will provide a useful platform for those advancing the subject and its industries Integrated Resilient Energy Solutions is a two volume set covering subjects of proven technical and economic importance worldwide Energy supply from renewables is an essential component of every nation s strategy especially when there is responsibility for the environment and sustainability These two volumes will consider the timeless renewable energy technologies principles yet demonstrate modern applications and case studies Whether for the veteran engineer student or other professional these two volumes are a must have for any library

Information and Communication Technology
Durgesh Kumar Mishra,Ahmad Taher Azar,Amit Joshi,2017-10-12 This book volume contains 31 papers presented at ICICT 2016 Second International Congress on Information and Communication Technology The conference was held during 12 13 December 2016 Bangkok Thailand and organized communally by G R Foundation and Computer Society of India Division IV Communication and Division V Education and Research This volume contains papers mainly focused on ICT for computation algorithms and data analytics and IT security

Home Automation Via Bluetooth Using the Arduino Uno Microcontroller
Ayush Kumar,2016 Abstract Home automation systems have gained popularity in recent years paralleling the advances in the concept of the Internet of Things The current project presents the implementation of an inexpensive home automation system within the framework of assistive technology The system implementation is based on the Arduino microcontroller with Bluetooth communications capability and it is designed for use by the elderly and people with disabilities The system is user friendly with an intuitive interface implemented on an Android based smart phone Demonstrations show that the system facilitates control of home appliances lights heating cooling systems and security devices by the intended users i e the elderly and the disabled

BLUETOOTH BASED HOME AUTOMATION SYSTEM OMER FAROOQ (TP016040),2012

Building Smart Home Automation Solutions with Home Assistant Marco Carvalho,2023-09-15 A step by step guide to building cost effective and complete home automation DIY projects using tools such as Home Assistant Raspberry Pi IoT devices the Tasmota sensor ESP32 and Grafana Key Features Learn by doing using real life practical examples to build your own home automation system Create hack and configure IoT devices through hands on projects to be used with or without Home Assistant Customize your home automation system using Home Assistant Node RED InfluxDB and Grafana Purchase of the print or Kindle book includes a free PDF eBook Book DescriptionPicture a home where you can adjust the lighting based on the time of day or when movement is detected In this same home you can also detect when a door is unexpectedly opened or an alarm is triggered in response to any suspicious activity Such automated devices form part of a smart home and the exciting part is that this book teaches you how to create and manage these devices all by yourself This book helps you create

your own ecosystem to automate your home using Home Assistant software You'll begin by understanding the components of a home automation system and learn how to create and configure them to operate seamlessly Then you'll set up Home Assistant on a Raspberry Pi to work as a home automation server build your own IoT sensors based on ESP32 ESP8266 and set up real life automation use cases using hands on examples and projects The chapters will also guide you in using software tools such as Node RED InfluxDB and Grafana to manage present and use data collected from your Home Automation devices Finally you'll gain insights into new technologies and trends in the home automation space to help you continue with your learning journey By the end of this book you'll be able to build your own creative IoT based home automation system using different hardware and software technologies What you will learn Understand the fundamental concepts of home automation systems Set up a home automation system using Home Assistant and Raspberry Pi Create and configure ESP8266 based sensors to work with Home Assistant Hack a commercial actuator to work with Home Assistant using Tasmota Create automations customize and use applications with Home Assistant Leverage IoT software tools to take your home automation to the next level Work on hands on projects including LED strip lights and an ESP32 five zone temperature logger Explore home automation FAQs emerging technologies and trends Who this book is for The book is for engineers developers students makers and enthusiasts who are working on or interested in working with electronics and IoT devices embedded systems systems integration computer software and coding to develop their own smart home automation systems Technicians teachers and other professionals who want to learn home automation related technologies will also find this book useful Prior experience of working with Raspberry Pi creating hardware prototypes and software programming will be beneficial

Home Automation Lisa Montgomery, Editor, Electronic House Magazine, 2014-09-12 Smart home automated home connected home or intelligent home Whatever you call it a home that's able to take the drudgery out of common everyday tasks is something that every family can appreciate In this inaugural book about home automation you'll learn how to incorporate the right types of products and systems into your house to achieve a new level of comfort convenience safety and efficiency The book walks you step by step through the process of automating your home and because automation systems are able to control just about anything electronic you can imagine we've provided plenty of practical ideas In 10 Key Features of a Home Automation System and Automation Ideas for Every System of Your House you'll gather more than enough recommendations to get started in your automation endeavor No matter how many great ideas you gather from our Home Automation book though it's important that the system you buy today incorporates the most recent iterations of control technologies We've followed the automation trends put them into perspective and offer advice on the critical new updates upgrades and upstarts you'll want to look into when selecting a system In addition to deciding what you want your automation system to do you'll want to determine whether you'd like to install the system yourself or hire a professional to handle the task Both methods offer their own unique set of advantages and disadvantages so be sure to read DIY or

Professionally Installed before making your decision You'll also want to check out our comprehensive directory of home automation manufacturers before taking the plunge Finally we finish the book with a series of finished automation installations which range from a basic starter package in a condo to a full blown bells and whistles system for a bigger house You'll see what types of features that owners of these homes chose to incorporate and hear how automation is truly making a difference in their lives The technology has been so carefully designed and meticulously installed that you may not even notice it in the full color photography of many of the rooms where lights motorized window shades and A V equipment have been automated to dim brighten turn on and off open and close and adjust and reset based on the time of day occupancy or the single touch of a button

Arduino Bluetooth Based Home Automation Mehmet AVCU,2021-01-05 [Arduino Bluetooth Based Home Automation](#)

[Arduino Home Automation Projects](#) Marco Schwartz,2014-07-23 This book is divided into projects that are explained in a step by step format with practical instructions that are easy to follow If you want to build your own home automation systems wirelessly using the Arduino platform this is the book for you You will need to have some basic experience in Arduino and general programming languages such as C and C++ to understand the projects in this book

[Building a Home Security System with BeagleBone](#) Bill Pretty,2013-12-17 Building a Home Security System with BeagleBone is a practical hands on guide for practical hands on people The book includes step by step instructions for assembling your own hardware on professionally manufactured PCB s and setting up the software on your system This book is for anyone who is interested in alarm systems and how they work for hobbyists and basement tinkerers who love to build things If you want to build the hardware described in this book you will need some basic soldering skills but all the parts are of the thru hole variety and are very easy to put together When it comes to software you can just run it as is but if you want to modify the code you will need knowledge of Java and IDEs

[Essential Guide to Smart Home Automation Safety and Security](#) Gerard O'Driscoll,2015-03-02 This book addresses readers who wish to gain an in depth understanding of Smart Home alarm and safety systems Detail is provided on six key smart systems that you can use to enhance your family's home security levels namely smart alarm systems Smart IP cameras Smart combo alarm devices smart access control smart locks and smart doorbells In addition to covering the integration of alarm and fire detection systems with your smartphone App this chapter also deals with adding smart air quality control water and freeze alert capabilities to your home This mini ebook includes technical illustrations examples of how smart homes are helping people insights from Gerard and details of an awesome monthly giveaway

Home Security System DIY Wireless IoT Using ESP32 CAM and Android Robert Chin,2022-08-07 This book shows you how you can save tons of money by building your own low cost maximum privacy and maximum security professional quality wireless home security system from common off the shelf parts You can monitor the home security system using your existing Android cell phone and existing home internet connection You will save lots of money on the home security system hardware itself as well as enjoy free email alert notifications and or low cost cell phone

text message alert notifications depending on the monitoring options you choose Easy to understand step by step instructions will be given so that the average non technical person will be able to assemble and operate this home security system The main components of the security system are the ESP32 CAM a motion sensor an Android cell phone and a home internet connection In addition custom software created by the author will be provided for the ESP32 and Android devices Security System Main Features Live Real Time Local Video Monitoring using multiple ESP32 CAM units Free Email Notifications With Images Using Your Existing Home Internet Connection Low Cost Text Message Notifications Using Your Android Cell Phone Easy Hardware Assembly and Simple Software Setup Procedure Use your existing Android cell phone to control and monitor your alarm system Modular sensor system allows you to add up to 11 ESP32 CAM units with motion sensors to the security system Maximum Security and Privacy Security System Basic Operation 1 Set up your security system for operation using your Controller cell phone 2 Activate the security system using your Controller cell phone 3 Receive emergency text alerts on your personal cell phone if the alarm has been tripped 4 Receive emergency emails with images of people that have tripped the sensors in or outside of your home to an email address you designate 5 If an intruder or other emergency is confirmed then call the police as needed

Wireless Based Home Security with Automation System Wan Norziela Wan Rosli,2010 The aim of the project is to design a wireless based home security with automation system The system uses wireless technology to revolutionize the standards of living which could give assurance for user to protect their homes from burglars thieves and criminals This project is so versatile and is equipped with various sensors such as passive infrared sensor magnetic switch sensor and vibration sensor to detect different forms of intrusion A microcontroller is used to control the system operation while a remote gadget is used to arm and disarm the system To ensure only the authorized user can operate the system the gadget is equipped with a password Various indication outputs such as BUZZER LED and LCD are used to display the alarm status In addition the sound indicators like siren are also included in the design to inform intrusion Due to the consideration of user friendliness portability as well as wider area coverage all the sensors and remote gadget are implemented using zigbee transceiver A backup battery module is also introduced in the design to ensure the system keep functioning even during power failure

Home Automation System Using Arduino System Via IR Sensor Akashdeep Singh,Varinder Singh,Gagandeep Singh,2018-10-07 This work presents the design and model implementation of a novel home automation system applying the Internet of Things IoT technology It seeks simplified design protocols for developing a robust home automation system to deal with the problems of complexity multiple incompatible standards and the resulting expenses in the existing systems The embedded system features the ubiquitous low cost 32 bit ESP8266 System on chip SoC module interfaced to some sensors and actuators for interaction in the home Flexibility in the remote access operation and management is achieved through HTML5 based intuitive mobile and web GUI applications Web Application Messaging Protocol WAMP is deployed to ensure that individual applications and systems seamlessly communicate with a relatively high

level of security using robust web service security protocol This system offers a cost effective and efficient solution excluded which are present mostly in other solutions because the costs of a dedicated public IP address and a high end computer are excluded which are present mostly in other solutions Advanced Home Security System Ali Abbas,2017

Bluetooth Based Home Automation And Security System Using Arm9 Book Review: Unveiling the Power of Words

In a global driven by information and connectivity, the energy of words has are more evident than ever. They have the capacity to inspire, provoke, and ignite change. Such could be the essence of the book **Bluetooth Based Home Automation And Security System Using Arm9**, a literary masterpiece that delves deep in to the significance of words and their impact on our lives. Compiled by a renowned author, this captivating work takes readers on a transformative journey, unraveling the secrets and potential behind every word. In this review, we shall explore the book is key themes, examine its writing style, and analyze its overall affect readers.

https://py.bijouxmedusa.com/About/Resources/Download_PDFS/for%20creators%2077%202882%20resume%20writing%20tr ends%20america%2077%202707%20resume.pdf

Table of Contents Bluetooth Based Home Automation And Security System Using Arm9

1. Understanding the eBook Bluetooth Based Home Automation And Security System Using Arm9
 - The Rise of Digital Reading Bluetooth Based Home Automation And Security System Using Arm9
 - Advantages of eBooks Over Traditional Books
2. Identifying Bluetooth Based Home Automation And Security System Using Arm9
 - Exploring Different Genres
 - Considering Fiction vs. Non-Fiction
 - Determining Your Reading Goals
3. Choosing the Right eBook Platform
 - Popular eBook Platforms
 - Features to Look for in an Bluetooth Based Home Automation And Security System Using Arm9
 - User-Friendly Interface
4. Exploring eBook Recommendations from Bluetooth Based Home Automation And Security System Using Arm9
 - Personalized Recommendations
 - Bluetooth Based Home Automation And Security System Using Arm9 User Reviews and Ratings

- Bluetooth Based Home Automation And Security System Using Arm9 and Bestseller Lists
- 5. Accessing Bluetooth Based Home Automation And Security System Using Arm9 Free and Paid eBooks
 - Bluetooth Based Home Automation And Security System Using Arm9 Public Domain eBooks
 - Bluetooth Based Home Automation And Security System Using Arm9 eBook Subscription Services
 - Bluetooth Based Home Automation And Security System Using Arm9 Budget-Friendly Options
- 6. Navigating Bluetooth Based Home Automation And Security System Using Arm9 eBook Formats
 - ePub, PDF, MOBI, and More
 - Bluetooth Based Home Automation And Security System Using Arm9 Compatibility with Devices
 - Bluetooth Based Home Automation And Security System Using Arm9 Enhanced eBook Features
- 7. Enhancing Your Reading Experience
 - Adjustable Fonts and Text Sizes of Bluetooth Based Home Automation And Security System Using Arm9
 - Highlighting and Note-Taking Bluetooth Based Home Automation And Security System Using Arm9
 - Interactive Elements Bluetooth Based Home Automation And Security System Using Arm9
- 8. Staying Engaged with Bluetooth Based Home Automation And Security System Using Arm9
 - Joining Online Reading Communities
 - Participating in Virtual Book Clubs
 - Following Authors and Publishers Bluetooth Based Home Automation And Security System Using Arm9
- 9. Balancing eBooks and Physical Books Bluetooth Based Home Automation And Security System Using Arm9
 - Benefits of a Digital Library
 - Creating a Diverse Reading Collection Bluetooth Based Home Automation And Security System Using Arm9
- 10. Overcoming Reading Challenges
 - Dealing with Digital Eye Strain
 - Minimizing Distractions
 - Managing Screen Time
- 11. Cultivating a Reading Routine Bluetooth Based Home Automation And Security System Using Arm9
 - Setting Reading Goals Bluetooth Based Home Automation And Security System Using Arm9
 - Carving Out Dedicated Reading Time
- 12. Sourcing Reliable Information of Bluetooth Based Home Automation And Security System Using Arm9
 - Fact-Checking eBook Content of Bluetooth Based Home Automation And Security System Using Arm9
 - Distinguishing Credible Sources

13. Promoting Lifelong Learning
 - Utilizing eBooks for Skill Development
 - Exploring Educational eBooks
14. Embracing eBook Trends
 - Integration of Multimedia Elements
 - Interactive and Gamified eBooks

Bluetooth Based Home Automation And Security System Using Arm9 Introduction

In today's digital age, the availability of Bluetooth Based Home Automation And Security System Using Arm9 books and manuals for download has revolutionized the way we access information. Gone are the days of physically flipping through pages and carrying heavy textbooks or manuals. With just a few clicks, we can now access a wealth of knowledge from the comfort of our own homes or on the go. This article will explore the advantages of Bluetooth Based Home Automation And Security System Using Arm9 books and manuals for download, along with some popular platforms that offer these resources. One of the significant advantages of Bluetooth Based Home Automation And Security System Using Arm9 books and manuals for download is the cost-saving aspect. Traditional books and manuals can be costly, especially if you need to purchase several of them for educational or professional purposes. By accessing Bluetooth Based Home Automation And Security System Using Arm9 versions, you eliminate the need to spend money on physical copies. This not only saves you money but also reduces the environmental impact associated with book production and transportation. Furthermore, Bluetooth Based Home Automation And Security System Using Arm9 books and manuals for download are incredibly convenient. With just a computer or smartphone and an internet connection, you can access a vast library of resources on any subject imaginable. Whether you're a student looking for textbooks, a professional seeking industry-specific manuals, or someone interested in self-improvement, these digital resources provide an efficient and accessible means of acquiring knowledge. Moreover, PDF books and manuals offer a range of benefits compared to other digital formats. PDF files are designed to retain their formatting regardless of the device used to open them. This ensures that the content appears exactly as intended by the author, with no loss of formatting or missing graphics. Additionally, PDF files can be easily annotated, bookmarked, and searched for specific terms, making them highly practical for studying or referencing. When it comes to accessing Bluetooth Based Home Automation And Security System Using Arm9 books and manuals, several platforms offer an extensive collection of resources. One such platform is Project Gutenberg, a nonprofit organization that provides over 60,000 free eBooks. These books are primarily in the public domain, meaning they can be freely distributed and downloaded. Project Gutenberg offers a wide range of classic literature, making it an excellent resource for literature enthusiasts. Another popular platform for

Bluetooth Based Home Automation And Security System Using Arm9 books and manuals is Open Library. Open Library is an initiative of the Internet Archive, a non-profit organization dedicated to digitizing cultural artifacts and making them accessible to the public. Open Library hosts millions of books, including both public domain works and contemporary titles. It also allows users to borrow digital copies of certain books for a limited period, similar to a library lending system. Additionally, many universities and educational institutions have their own digital libraries that provide free access to PDF books and manuals. These libraries often offer academic texts, research papers, and technical manuals, making them invaluable resources for students and researchers. Some notable examples include MIT OpenCourseWare, which offers free access to course materials from the Massachusetts Institute of Technology, and the Digital Public Library of America, which provides a vast collection of digitized books and historical documents. In conclusion, Bluetooth Based Home Automation And Security System Using Arm9 books and manuals for download have transformed the way we access information. They provide a cost-effective and convenient means of acquiring knowledge, offering the ability to access a vast library of resources at our fingertips. With platforms like Project Gutenberg, Open Library, and various digital libraries offered by educational institutions, we have access to an ever-expanding collection of books and manuals. Whether for educational, professional, or personal purposes, these digital resources serve as valuable tools for continuous learning and self-improvement. So why not take advantage of the vast world of Bluetooth Based Home Automation And Security System Using Arm9 books and manuals for download and embark on your journey of knowledge?

FAQs About Bluetooth Based Home Automation And Security System Using Arm9 Books

How do I know which eBook platform is the best for me? Finding the best eBook platform depends on your reading preferences and device compatibility. Research different platforms, read user reviews, and explore their features before making a choice. Are free eBooks of good quality? Yes, many reputable platforms offer high-quality free eBooks, including classics and public domain works. However, make sure to verify the source to ensure the eBook credibility. Can I read eBooks without an eReader? Absolutely! Most eBook platforms offer web-based readers or mobile apps that allow you to read eBooks on your computer, tablet, or smartphone. How do I avoid digital eye strain while reading eBooks? To prevent digital eye strain, take regular breaks, adjust the font size and background color, and ensure proper lighting while reading eBooks. What the advantage of interactive eBooks? Interactive eBooks incorporate multimedia elements, quizzes, and activities, enhancing the reader engagement and providing a more immersive learning experience. Bluetooth Based Home Automation And Security System Using Arm9 is one of the best book in our library for free trial. We provide copy of Bluetooth Based Home Automation And Security System Using Arm9 in digital format, so the resources that you find are reliable. There are

also many Ebooks of related with Bluetooth Based Home Automation And Security System Using Arm9. Where to download Bluetooth Based Home Automation And Security System Using Arm9 online for free? Are you looking for Bluetooth Based Home Automation And Security System Using Arm9 PDF? This is definitely going to save you time and cash in something you should think about.

Find Bluetooth Based Home Automation And Security System Using Arm9 :

~~for creators 77-2882 resume writing trends America 77-2707 resume~~

States 77-1083 crypto investing guide United States 77-1915 crypto

~~blueprint for entrepreneurs 77-1100 budget travel blueprint for~~

America 77-2351 VPN services best practices for creators 77-2423 VPN

entrepreneurs 77-1995 ecommerce trends tutorial America 77-718 ecommerce

parenting tips step by step America 77-2402 parenting tips strategies

blueprint for small business 77-1438 cloud computing case study America

~~mental wellness comparison for small business 77-599 mental wellness~~

77-792 ecommerce trends for beginners America 77-1748 ecommerce trends

~~77-688 NFT marketplace tools USA 77-1344 NFT marketplace tools for~~

examples USA 77-953 TikTok marketing explained for startups 77-2092

strategies for small business 77-2205 SEO strategy strategies for small

checklist USA 77-1500 sustainable living checklist United States 77-2326

77-2866 freelancing online tips for startups 77-2074 freelancing online

~~77-124 AI tools roadmap for startups 77-1833 AI tools software for small~~

Bluetooth Based Home Automation And Security System Using Arm9 :

get the most out of your sage solution get certified - Aug 06 2022

web this test includes drag and drop scenarios multiple choice questions and simulations on using sage payroll micropay

after you pass the exam you will receive a sage payroll

sage accounting application specialist certification study guide - Jun 04 2022

web there are practice questions for each section chapter 5 is a complete literacy practice skills test for you to work through and chapter 6 contains answers and explanatory key

accounts payroll and mtd training from sage sage accounting - Dec 30 2021

web this hour long examination consists of software simulations drag and drop exercises and multiple choice questions for added convenience you can choose to sit the exam

sage 50 payroll certification level 1 - Nov 28 2021

sage 50 accounts certification level 3 - Apr 14 2023

web sage accounts payroll pension training self study training courses for sage software sage 50 accounts sage 50 payroll sage instant

sage uk limited copyright statement - Feb 12 2023

web assess your skills use our free online diagnostic test to assess your knowledge fill any skills gaps choose to attend the relevant classroom or self study course to brush up

sage 50 flashcards quizlet - Jun 16 2023

web test your skills for free sage certification is a simple but valuable way to show that you re good at using our software and it s the only certification programme approved by sage

how certification works sage - Jan 11 2023

web learn in a virtual classroom environment delivered by a sage expert you will be provided with hands on tasks training manuals and then sit a certification exam

sage 50 certification exam questions pdf learn copyblogger - May 03 2022

web you ll sit an online assessment test in a multiple choice questions format we provide interactive quizzes after each module to ensure you re fully prepared for the real thing

sage 50 accounts certification all levels - Jul 17 2023

web study with quizlet and memorize flashcards containing terms like sage 50 log bills to sage 50 recommends you back up can sage 50 control users access and more

accountancy training and support for accountants - Dec 10 2022

web jul 31 2023 start create your own quiz do you know about sage 50 accounts software check out these mcq questions and answers based on sage 50 and test your

sage 50 vs sage 100 vs sage 300 cyberlinkasp - Mar 01 2022

web sep 24 2021 sage 50 vs sage 100 quickly discover the top features found in sage 50 vs sage 100 with a side by side comparison learn if sage 50 or sage 100 is a better

sage payroll certification micropay - Jul 05 2022

web 1 1 about the exam the information below details the number of questions time allotted and passing score for this exam
question answer how many questions will be asked

sage certification user guide - Sep 19 2023

web study with quizlet and memorize flashcards containing terms like when first opening the sage 50 program you will be asked to choose the sage 50 home window does not

accounts payroll and mtd training from sage sage - Mar 13 2023

web the sage certification exam includes simulated questions from sage software therefore you must be using a broadband connection we recommend that you have a minimum of

online sage 50 course become a sage expert my training - Apr 02 2022

web mar 30 2021 sage 100 costs a little more and is a little more robust to meet the needs of growing companies sage 300 is more expensive and is a highly customizable

sage 50 vs sage 100 compare features sage 50 to sage 100 - Jan 31 2022

web it will involve a combination of multi choice questions multi response questions true or false questions certification stage 1 stage 2 stage 3 stage 4 sage accounts payroll

certification sage - May 15 2023

web sage certification is based on our sage 50 accounts software and consists of an online exam for each level of certification delivered over the internet straight to your pc this

sage 50 final review flashcards quizlet - Aug 18 2023

web the sage certification exams include sage 50 accounts simulated questions so we advise that you use a broadband internet connection with a minimum connection of 2mb

sage 50 accounting test - Sep 07 2022

web sage 50 accounting canadian edition sage 50 accounting u s edition sage 100 sage 300 sage 500 erp sage x3 construction and real estate solutions sage 100 contractor

quiz sage line 50 accounts proprofs quiz - Nov 09 2022

web there are two main zones you can become sage certified in sage payroll and sage accounts both are mainly concerned with the sage 50 practice free however there is

practice sage 50 for free boost your accounting skills - Oct 08 2022

web sage 50 accounting test 714 ratings topics covered syllabus experts perform brainstorming sessions of various comprehensive topics in which test questions have to

non governmental organizations world food programme - Mar 07 2023

web dec 13 2021 the world food programme wfp is proud to work with around 1 000 non governmental organizations ngos around the globe from small grassroots groups to large international humanitarian agencies without this collaboration our efforts to bring much needed assistance to 128 2 million people in over 120 countries would not be

the 15 biggest ngos in the world human rights careers - Oct 14 2023

web while it s difficult to count how many ngos exist today 2021 data from the u s department of state estimates there are 1 5 million ngos working in the us alone which ones are the biggest this article describes 15 influential ngos located in places like the united states europe and south asia

nongovernmental organization ngo britannica - Jul 11 2023

web nov 12 2023 nongovernmental organization ngo voluntary group of individuals or organizations usually not affiliated with any government that is formed to provide services or to advocate a public policy although some ngos are for profit corporations the vast majority are nonprofit organizations

what is an ngo what role does it play in civil society - May 09 2023

web while ngos have no fixed or formal definition they are generally defined as nonprofit entities independent of governmental influence although they may receive government funding as one can tell from the basic definition above the difference between nonprofit organizations npos and ngos is slim

singapore green landscape 2020 ngos and non profits - Apr 08 2023

web singapore green landscape 2020 ngos and non profits green future is keeping track of the green organisations and groups and the sustainability industry in singapore through our 9th edition of the singapore green landscape

what is an ngo non governmental organization investopedia - Aug 12 2023

web mar 28 2023 ngos or non governmental organizations play a major role in international development aid and philanthropy ngos are often non profit and may run budgets of millions or up to billions of

origin of term types of ngos national library board - Feb 06 2023

web non governmental organisations ngos refer broadly to organisations that are not created or controlled by the government they are often associated with terms such as non profit voluntary and charity based origin of term ngos have been in existence for a long time

the role of ngos what are ngos bbc - Jan 05 2023

web the role of ngos non governmental organisations ngos for short are not for profit charities that deal with many different issues part of learning for life and work ccea local and global

non governmental organization wikipedia - Sep 13 2023

web orientation i e the type of activities an ngo undertakes such as activities involving human rights consumer protection

environmentalism health or development level of operation which indicates the scale at which an organization works local
international non governmental organization wikipedia - Jun 10 2023

web ngos are independent of governments and can be seen as two types advocacy ngos which aim to influence governments with a specific goal and operational ngos which provide services examples of ngo mandates are environmental preservation human rights promotions or the advancement of women

[rickie fowler par excellence google books](#) - May 13 2023

web twenty six year old fowler is america s answer to rory mcilroy and together they represent the gifted faces of golf for a new era two young men destined to contest a trans atlantic rivalry for
rickie fowler par excellence by frank worrall goodreads - Sep 05 2022

web he s the leader of america s exciting new wave of golfing superstars young fun and gifted rickie fowler has taken the sport to a younger audience in the states making headlines as much for his wacky dress sense and youtube spoofs as for his god given prowess with a

rickie fowler par excellence by frank worrall pan macmillan - Apr 12 2023

web may 7 2015 in this compelling first biography on the figurehead of us golf s young guns frank worrall provides a fascinating portrayal of rickie fowler as both a fun loving yet altruistic human being and a single minded golfing superstar
ppp coe abouts - May 01 2022

web the istanbul public private partnership center of excellence istanbul pppcoe founded in 2015 is an association that offers the best ppp advisory services and provides trainings for ppp hr capacity building istanbul pppcoe works closely with governments corporations multilateral entities financial institutions and mncs to provide technical and
rickie fowler par excellence worrall frank 9781784183288 - Mar 11 2023

web abebooks com rickie fowler par excellence 9781784183288 by worrall frank and a great selection of similar new used and collectible books available now at great prices

rickie fowler par excellence paperback 7 may 2015 - Jul 15 2023

web may 7 2015 twenty six year old fowler is america s answer to rory mcilroy and together they represent the gifted faces of golf for a new era two young men destined to contest a trans atlantic rivalry for that coveted world no 1 spot but it was motocross that was rickie s first love

rickie fowler players european tour - Jul 03 2022

web dec 13 1988 claimed his first european tour victory at the 2015 aberdeen asset management scottish open thanks to a fine birdie on the 72nd hole to finish one stroke clear of compatriot matt kuchar won the coveted players championship on the pga tour in 2015 one of four pga tour victories and at the beginning of 2016 claimed the abu

rickie fowler par excellence timothy west frank worrall - Feb 10 2023

web may 7 2015 in this compelling first biography on the figurehead of us golf s young guns frank worrall provides a fascinating portrayal of rickie fowler as both a fun loving yet altruistic human being and a single minded golfing superstar

rickie fowler - Dec 28 2021

web 2015 playern champion new website coming soon

kurumların başarısında duygusal zekanın rolü ve Önemi - Feb 27 2022

web duygusal zekası yüksek olan bireyler kendilerini tanıyan ve ihtiyaçlarını bilen güçlü ve zayıf yanlarının farkında olan duygularını kontrol etmeyi başarabilen ve etkili ilişkiler kurabilen kişilerdir duygusal zekası yüksek olan bireyler çalışma yaşamında duygusal zekası düşük olanlara göre daha başarılıdırlar

pppcoe linkedin - Jan 29 2022

web the İstanbul public private partnership center of excellence founded in 2015 is an company that offers the best ppp advisory services and provides trainings for ppp hr capacity building

[live updates fowler 3 putts no 18 to drop into a tie with clark](#) - Jun 02 2022

web jun 15 2023 rickie fowler and xander schauffele each shot a u s open record 62 in the first round which tied for the lowest round in a major and fowler tied the 36 hole record at 130

rickie fowler par excellence amazon com - Aug 16 2023

web sep 15 2015 sports sensation rickie fowler s amazing biography follows the young golfer s continuing ascent to the top of the game he s the leader of america s exciting new wave of golfing superstars

rickie fowler par excellence frank worrall - Mar 31 2022

web in the morning of time 391850 rickie fowler par excellence frank worrall mathis lussy a pioneer in studies of expressive performance varia musicologica mine dogantan sermons in stones osho the minerals of franklin and sterling hill sussex county new jersey geological survey professional paper 180 charles palache new

rickie fowler par excellence by frank worrall overdrive - Jan 09 2023

web may 7 2015 young fun and gifted rickie fowler has taken the sport to a younger audience in the states making headlines as much for his wacky dress sense and youtube spoofs as for his god given prowess with a golf club

rickie fowler par excellence frank worrall google books - Jun 14 2023

web may 7 2015 young fun and gifted rickie fowler has taken the sport to a younger audience in the states making headlines as much for his wacky dress sense and youtube spoofs as for his god given prowess

rickie fowler par excellence by frank worrall google play - Dec 08 2022

web rickie fowler par excellence ebook written by frank worrall read this book using google play books app on your pc

android ios devices download for offline reading highlight bookmark or take notes while you read rickie fowler par excellence [rickie fowler par excellence by frank worrall](#) - Aug 04 2022

web may 7 2015 book rickie fowler par excellence by frank worrall published by john blake publishing he s the leader of america s exciting new wave of golfing superstars young fun and gifted rickie fowler has taken the sport to a younger audience in the states making headlines as much for his

rickie fowler par excellence fable stories for everyone - Nov 07 2022

web he s the leader of america s exciting new wave of golfing superstars young fun and gifted rickie fowler has taken the sport to a younger audience in

rickie fowler wikipedia - Oct 06 2022

web rick yutaka fowler born december 13 1988 is an american professional golfer who plays on the pga tour he was the number one ranked amateur golfer in the world for 36 weeks in 2007 and 2008 on january 24 2016 he reached a career high fourth in the official world golf ranking following his victory in the abu dhabi hsbc golf championship