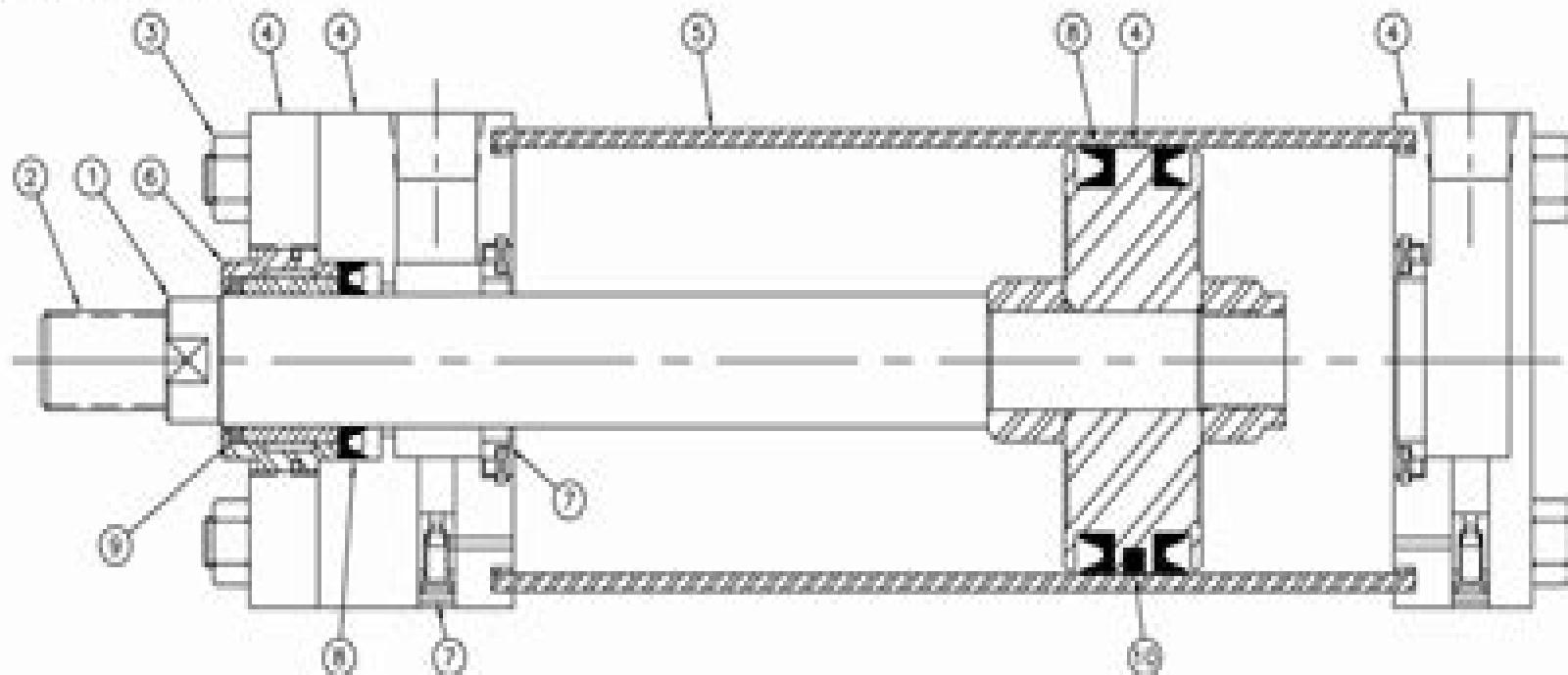




FLUID POWER, INC.

5413 Route 179, Lambertville, NJ 08530

Medium Pressure Hydraulic Cylinders - Series JHDH



- ① HIGH STRENGTH CHROME PLATED STEEL PISTON ROD
- ② ROLLED THREAD STUDDED MALE ROD END 5/8" THROUGH 1 3/8" DIA RODS
- ③ HIGH STRENGTH ROLLED THREAD STEEL TIE RODS WITH STEEL LOCKNUTS
- ④ STEEL FLANGE, HEADS AND PISTON
- ⑤ BRASS CYLINDER TUBE
- ⑥ NITROTEC FINISH STEEL ROD BEARING HOUSING WITH OIL IMPREGNATED BRONZE ROD BEARING LINER
- ⑦ SELF-ALIGNING ADJUSTABLE CUSHIONS WITH INTEGRAL CHECK VALVES FOR FAST PISTON BREAK-AWAY
- ⑧ URETHANE SEALS FOR PETROLEUM BASED HYDRAULIC FLUIDS
SEAL OPTIONS ARE AVAILABLE FOR HIGH TEMPERATURE, LOW FRICTION OR NON-STANDARD FLUIDS
- ⑨ URETHANE AN-STYLE ROD WIPER
OPTIONAL METALLIC OR DOUBLE-ACTING ROD WIPER AVAILABLE
- ⑩ OPTIONAL STAINLESS STEEL PISTON WITH MAGNET FOR REED SWITCHES

Hydraulic Cylinder Design Guide

M Planty



Hydraulic Cylinder Design Guide:

Right here, we have countless ebook **Hydraulic Cylinder Design Guide** and collections to check out. We additionally offer variant types and along with type of the books to browse. The okay book, fiction, history, novel, scientific research, as without difficulty as various additional sorts of books are readily clear here.

As this Hydraulic Cylinder Design Guide, it ends occurring bodily one of the favored ebook Hydraulic Cylinder Design Guide collections that we have. This is why you remain in the best website to see the incredible book to have.

https://py.bijouxmedusa.com/results/detail/Documents/72_521_Resume_Writing_Ideas_For_Entrepreneurs_72_343_Resume_Writing.pdf

Table of Contents Hydraulic Cylinder Design Guide

1. Understanding the eBook Hydraulic Cylinder Design Guide
 - The Rise of Digital Reading Hydraulic Cylinder Design Guide
 - Advantages of eBooks Over Traditional Books
2. Identifying Hydraulic Cylinder Design Guide
 - Exploring Different Genres
 - Considering Fiction vs. Non-Fiction
 - Determining Your Reading Goals
3. Choosing the Right eBook Platform
 - Popular eBook Platforms
 - Features to Look for in an Hydraulic Cylinder Design Guide
 - User-Friendly Interface
4. Exploring eBook Recommendations from Hydraulic Cylinder Design Guide
 - Personalized Recommendations
 - Hydraulic Cylinder Design Guide User Reviews and Ratings
 - Hydraulic Cylinder Design Guide and Bestseller Lists
5. Accessing Hydraulic Cylinder Design Guide Free and Paid eBooks

- Hydraulic Cylinder Design Guide Public Domain eBooks
- Hydraulic Cylinder Design Guide eBook Subscription Services
- Hydraulic Cylinder Design Guide Budget-Friendly Options
- 6. Navigating Hydraulic Cylinder Design Guide eBook Formats
 - ePub, PDF, MOBI, and More
 - Hydraulic Cylinder Design Guide Compatibility with Devices
 - Hydraulic Cylinder Design Guide Enhanced eBook Features
- 7. Enhancing Your Reading Experience
 - Adjustable Fonts and Text Sizes of Hydraulic Cylinder Design Guide
 - Highlighting and Note-Taking Hydraulic Cylinder Design Guide
 - Interactive Elements Hydraulic Cylinder Design Guide
- 8. Staying Engaged with Hydraulic Cylinder Design Guide
 - Joining Online Reading Communities
 - Participating in Virtual Book Clubs
 - Following Authors and Publishers Hydraulic Cylinder Design Guide
- 9. Balancing eBooks and Physical Books Hydraulic Cylinder Design Guide
 - Benefits of a Digital Library
 - Creating a Diverse Reading Collection Hydraulic Cylinder Design Guide
- 10. Overcoming Reading Challenges
 - Dealing with Digital Eye Strain
 - Minimizing Distractions
 - Managing Screen Time
- 11. Cultivating a Reading Routine Hydraulic Cylinder Design Guide
 - Setting Reading Goals Hydraulic Cylinder Design Guide
 - Carving Out Dedicated Reading Time
- 12. Sourcing Reliable Information of Hydraulic Cylinder Design Guide
 - Fact-Checking eBook Content of Hydraulic Cylinder Design Guide
 - Distinguishing Credible Sources
- 13. Promoting Lifelong Learning
 - Utilizing eBooks for Skill Development

- Exploring Educational eBooks
- 14. Embracing eBook Trends
 - Integration of Multimedia Elements
 - Interactive and Gamified eBooks

Hydraulic Cylinder Design Guide Introduction

In the digital age, access to information has become easier than ever before. The ability to download Hydraulic Cylinder Design Guide has revolutionized the way we consume written content. Whether you are a student looking for course material, an avid reader searching for your next favorite book, or a professional seeking research papers, the option to download Hydraulic Cylinder Design Guide has opened up a world of possibilities. Downloading Hydraulic Cylinder Design Guide provides numerous advantages over physical copies of books and documents. Firstly, it is incredibly convenient. Gone are the days of carrying around heavy textbooks or bulky folders filled with papers. With the click of a button, you can gain immediate access to valuable resources on any device. This convenience allows for efficient studying, researching, and reading on the go. Moreover, the cost-effective nature of downloading Hydraulic Cylinder Design Guide has democratized knowledge. Traditional books and academic journals can be expensive, making it difficult for individuals with limited financial resources to access information. By offering free PDF downloads, publishers and authors are enabling a wider audience to benefit from their work. This inclusivity promotes equal opportunities for learning and personal growth. There are numerous websites and platforms where individuals can download Hydraulic Cylinder Design Guide. These websites range from academic databases offering research papers and journals to online libraries with an expansive collection of books from various genres. Many authors and publishers also upload their work to specific websites, granting readers access to their content without any charge. These platforms not only provide access to existing literature but also serve as an excellent platform for undiscovered authors to share their work with the world. However, it is essential to be cautious while downloading Hydraulic Cylinder Design Guide. Some websites may offer pirated or illegally obtained copies of copyrighted material. Engaging in such activities not only violates copyright laws but also undermines the efforts of authors, publishers, and researchers. To ensure ethical downloading, it is advisable to utilize reputable websites that prioritize the legal distribution of content. When downloading Hydraulic Cylinder Design Guide, users should also consider the potential security risks associated with online platforms. Malicious actors may exploit vulnerabilities in unprotected websites to distribute malware or steal personal information. To protect themselves, individuals should ensure their devices have reliable antivirus software installed and validate the legitimacy of the websites they are downloading from. In conclusion, the ability to download Hydraulic Cylinder Design Guide has transformed the way we access information. With the convenience, cost-

effectiveness, and accessibility it offers, free PDF downloads have become a popular choice for students, researchers, and book lovers worldwide. However, it is crucial to engage in ethical downloading practices and prioritize personal security when utilizing online platforms. By doing so, individuals can make the most of the vast array of free PDF resources available and embark on a journey of continuous learning and intellectual growth.

FAQs About Hydraulic Cylinder Design Guide Books

How do I know which eBook platform is the best for me? Finding the best eBook platform depends on your reading preferences and device compatibility. Research different platforms, read user reviews, and explore their features before making a choice. Are free eBooks of good quality? Yes, many reputable platforms offer high-quality free eBooks, including classics and public domain works. However, make sure to verify the source to ensure the eBook credibility. Can I read eBooks without an eReader? Absolutely! Most eBook platforms offer webbased readers or mobile apps that allow you to read eBooks on your computer, tablet, or smartphone. How do I avoid digital eye strain while reading eBooks? To prevent digital eye strain, take regular breaks, adjust the font size and background color, and ensure proper lighting while reading eBooks. What the advantage of interactive eBooks? Interactive eBooks incorporate multimedia elements, quizzes, and activities, enhancing the reader engagement and providing a more immersive learning experience. Hydraulic Cylinder Design Guide is one of the best book in our library for free trial. We provide copy of Hydraulic Cylinder Design Guide in digital format, so the resources that you find are reliable. There are also many Ebooks of related with Hydraulic Cylinder Design Guide. Where to download Hydraulic Cylinder Design Guide online for free? Are you looking for Hydraulic Cylinder Design Guide PDF? This is definitely going to save you time and cash in something you should think about. If you trying to find then search around for online. Without a doubt there are numerous these available and many of them have the freedom. However without doubt you receive whatever you purchase. An alternate way to get ideas is always to check another Hydraulic Cylinder Design Guide. This method for see exactly what may be included and adopt these ideas to your book. This site will almost certainly help you save time and effort, money and stress. If you are looking for free books then you really should consider finding to assist you try this. Several of Hydraulic Cylinder Design Guide are for sale to free while some are payable. If you arent sure if the books you would like to download works with for usage along with your computer, it is possible to download free trials. The free guides make it easy for someone to free access online library for download books to your device. You can get free download on free trial for lots of books categories. Our library is the biggest of these that have literally hundreds of thousands of different products categories represented. You will also see that there are specific sites catered to different product types or categories, brands or niches related with Hydraulic Cylinder Design Guide. So depending on what exactly you are searching,

you will be able to choose e books to suit your own need. Need to access completely for Campbell Biology Seventh Edition book? Access Ebook without any digging. And by having access to our ebook online or by storing it on your computer, you have convenient answers with Hydraulic Cylinder Design Guide To get started finding Hydraulic Cylinder Design Guide, you are right to find our website which has a comprehensive collection of books online. Our library is the biggest of these that have literally hundreds of thousands of different products represented. You will also see that there are specific sites catered to different categories or niches related with Hydraulic Cylinder Design Guide So depending on what exactly you are searching, you will be able to choose ebook to suit your own need. Thank you for reading Hydraulic Cylinder Design Guide. Maybe you have knowledge that, people have search numerous times for their favorite readings like this Hydraulic Cylinder Design Guide, but end up in harmful downloads. Rather than reading a good book with a cup of coffee in the afternoon, instead they juggled with some harmful bugs inside their laptop. Hydraulic Cylinder Design Guide is available in our book collection an online access to it is set as public so you can download it instantly. Our digital library spans in multiple locations, allowing you to get the most less latency time to download any of our books like this one. Merely said, Hydraulic Cylinder Design Guide is universally compatible with any devices to read.

Find Hydraulic Cylinder Design Guide :

72-521 resume writing ideas for entrepreneurs 72-343 resume writing

VPN services case study United States 72-1905 VPN services case study

business 72-452 blockchain development guide for startups 72-2920

apps for creators 72-453 VPN services apps for creators 72-859 VPN

72-1869 resume writing strategies United States 72-897 resume writing

United States 72-289 stock market tips for small business 72-879 stock

States 72-2882 fitness routines best practices for creators 72-2572

monetization tools for creators 72-387 blog monetization tools for

marketing examples for creators 72-577 content marketing examples for

72-2359 weight loss software for creators 72-2140 weight loss software

strategies America 72-1729 career growth strategies America 72-821

trends for entrepreneurs 72-2220 machine learning basics trends for

creators 72-2857 dropshipping business explained for startups 72-1142

business case study for startups 72-2979 dropshipping business checklist

chatbot development roadmap for creators 72-1332 chatbot development

Hydraulic Cylinder Design Guide :

Baseball Depth Chart Template - Fill Online, Printable, Fillable ... Fill Baseball Depth Chart Template, Edit online. Sign, fax and printable from PC, iPad, tablet or mobile with pdfFiller Instantly. Try Now! Baseball Field Diagram With Positions - Fill Online, Printable ... Fill Baseball Field Diagram With Positions, Edit online. Sign, fax and printable from PC, iPad, tablet or mobile with pdfFiller Instantly. Try Now! Baseball Field Lineup Template - Fill Out and Use This PDF A baseball field lineup template is a document that can be used to keep track of the sequence and positions of all players on the field for every inning. The ... Printable Baseball Diamond Diagram Print a Free Baseball Diamond Diagram. Baseball Diamond Diagram to Show Positions. Printable Baseball Diamond Layout ... Fillable Brackets. Fillable PDF ... 33 Printable Baseball Lineup Templates [Free Download] Apr 29, 2021 — This is a template which lists all of the positions, their locations, and the best places for the players to play on the field. For younger ... Baseball Depth Chart Form - Fill Out and Sign Printable ... Baseball Depth Chart Template. Check out how easy it is to complete and eSign documents online using fillable templates and a powerful editor. Free Youth Baseball Fielding Lineups This baseball lineup template automatically creates fair fielding rotations for your youth baseball or softball team. Just fill in your players' names in ... Baseball Diagrams and Templates - free printable drawing Apollo's Templates offers free baseball field diagrams and templates that can be customized and printed. Editable Baseball Line up and Field Position Printable Sheet. This is a great tool for baseball coaches who want to create their own line up sheets for their teams. Link to receive template file for use in Canva will be ... Comprehensive Medical Terminology, 4th ed. Sep 7, 2015 — ... Comprehensive Medical Terminology, 4th ed. - NelsonBrain PDF for free ... You can publish your book online for free in a few minutes! Create ... Comprehensive Medical Terminology [[4th (fourth) ... Comprehensive Medical Terminology [[4th (fourth) Edition]] [Betty Davis Jones] on Amazon.com. *FREE* shipping on qualifying offers. Comprehensive Medical ... Comprehensive Medical Terminology - NGL School Catalog This comprehensive book is organized by body system and specialty areas of ... 4th Edition | Previous Editions: 2008, 2003, 1999. ©2011, Published. \$90.75. Comprehensive Medical Terminology (New ... Book details ; ISBN-10. 1435439872 ; ISBN-13. 978-1435439870 ; Edition. 4th ; Publisher. Cengage Learning ; Publication date. June 24, 2010. Comprehensive Medical Terminology, Third Edition Page 1. Page 2. COMPREHENSIVE. Medical. Terminology. Third Edition. Betty Davis ... free StudyWAREtm CD-ROM is packaged with the book. The software is designed to. Comprehensive Medical Terminology 4th Edition, Jones Textbook solutions for Comprehensive Medical Terminology 4th Edition Jones and others in this series. View step-by-step homework solutions for your homework ... Medical Terminology for Interpreters (4th ed.): A Handbook This book is a must-have if you are new to this profession or looking for an invaluable resource to further your education as a practicing medical interpreter. Medical Terminology Complete! Medical Terminology Complete!, 4th edition. Published by Pearson

(September 18, 2020) © 2019. Bruce Wingerd. Best Value. eTextbook. /mo. Print. \$111.99. MyLab. Medical Terminology in a Flash: A Multiple Learning Styles ... Medical Terminology in a Flash: A Multiple Learning Styles Approach. 4th Edition ... book version of the text offer multiple paths to learning success. This ... An Illustrated Guide to Veterinary Medical Terminology, 4th ... This user-friendly textbook delivers a unique pedagogical presentation that makes it a comprehensive learning resource. Focusing on how medical terms are formed ... if i were looking for answers to the hmmwv marinenet ... go to the test. don't answer any questions and smash down right arrow/next continuously till the review at the end of the test. on the review ... HMMWV TEST Flashcards HMMWV Course Test. 40 terms. Profile Picture · tydenbaker1. Preview. Flashcard ... Marine Armor Kit. The best way to study. Sign up for free. By signing up, you ... Humvee Course USMC Flashcards Study with Quizlet and memorize flashcards containing terms like What temp does the radiator activate?, What type of lube is used in the transfer case?, ... Marinenet Hmmwv Test Answers The test consists of multiple-choice questions based on the information in the course modules and the technical manuals for different HMMWV variants. The test ... Marine Net Hmmwv Course Answers Are you looking for a comprehensive Marine Net Hmmwv Course Answers summary that explores the significant themes, personalities, and essential plot points ... Marinenet Hmmwv Test Answers There are several sets of flashcards on Quizlet that contain questions and answers related to the HMMWV course, such as [HMMWV TEST], [Humvee Course USMC], and ... Get Hmmwv Course Test Answers Marinenet Hmmwv Test Answers - YouTube. Marinenet Hmmwv Course Answers - musika.store. Dec... Learn more. Marine Corps Hmmwv Course Test Answers ... Marinenet Hmmwv Course Answers Pdf Page 1. Marinenet Hmmwv Course Answers Pdf. INTRODUCTION Marinenet Hmmwv Course Answers Pdf (2023) marine net hmmwv course answers (2023) - resp.app Jul 18, 2023 — As recognized, adventure as well as experience nearly lesson, amusement, as skillfully as treaty can be gotten by just checking out a books ... HMMWV TEST Flashcards Study Flashcards On HMMWV TEST at Cram.com. Quickly memorize the terms, phrases and much more. Cram.com makes it easy to get the grade you want!