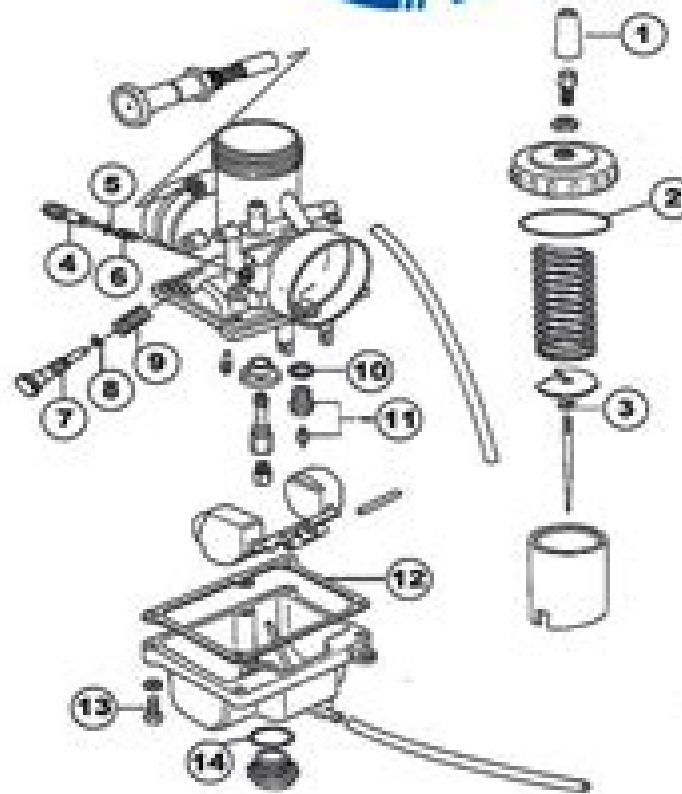


ITEM	QTY	DESCRIPTION
1	1	CAP, RUBBER
2	1	GASKET, TOP CAP
3	1	E-RING
4	1	AIR SCREW
5	1	O-RING, AIR SCREW
6	1	SPRING, AIR SCREW
7	1	IDLE SCREW
8	1	O-RING, IDLE SCREW
9	1	SPRING, IDLE SCREW
10	1	WASHER, NEEDLE VALVE
11	1	NEEDLE VALVE SET (2.5)
12	1	FLOAT BOWL GASKET
13	1	SCREW, FLOAT BOWL
14	4	O-RING, DRAIN PLUG

### MK-606

Mikuni Application  
VM20-606



**MIKUNI AMERICAN CORPORATION**

[www.mikunipower.com](http://www.mikunipower.com)

HEAD OFFICE: 8910 MIKUNI AVENUE  
NORTHridge, CALIFORNIA 91324-3488  
PHONE: (818) 993-1342  
FAX: (818) 993-7307

# Carburetor Troubleshooting Guide Motorcycle Performance

**L Reisser**



## **Carburetor Troubleshooting Guide Motorcycle Performance:**

The Enthralling Realm of E-book Books: A Detailed Guide Revealing the Benefits of Kindle Books: A World of Ease and Versatility E-book books, with their inherent mobility and ease of availability, have liberated readers from the limitations of hardcopy books. Gone are the days of carrying bulky novels or carefully searching for specific titles in bookstores. E-book devices, stylish and portable, seamlessly store an wide library of books, allowing readers to immerse in their preferred reads whenever, everywhere. Whether commuting on a busy train, relaxing on a sun-kissed beach, or simply cozying up in bed, Kindle books provide an exceptional level of convenience. A Literary Universe Unfolded: Discovering the Wide Array of E-book Carburator Troubleshooting Guide Motorcycle Performance Carburator Troubleshooting Guide Motorcycle Performance The E-book Shop, a virtual treasure trove of literary gems, boasts an extensive collection of books spanning diverse genres, catering to every readers taste and preference. From captivating fiction and thought-provoking non-fiction to classic classics and modern bestsellers, the Kindle Shop offers an exceptional variety of titles to explore. Whether seeking escape through immersive tales of imagination and exploration, diving into the depths of historical narratives, or broadening ones knowledge with insightful works of science and philosophy, the Kindle Store provides a gateway to a literary universe brimming with endless possibilities. A Revolutionary Factor in the Literary Landscape: The Persistent Influence of Kindle Books Carburator Troubleshooting Guide Motorcycle Performance The advent of E-book books has certainly reshaped the bookish landscape, introducing a model shift in the way books are published, disseminated, and read. Traditional publication houses have embraced the digital revolution, adapting their strategies to accommodate the growing need for e-books. This has led to a rise in the accessibility of E-book titles, ensuring that readers have entry to a vast array of bookish works at their fingertips. Moreover, Kindle books have equalized entry to books, breaking down geographical barriers and providing readers worldwide with equal opportunities to engage with the written word. Irrespective of their place or socioeconomic background, individuals can now engross themselves in the captivating world of books, fostering a global community of readers. Conclusion: Embracing the E-book Experience Carburator Troubleshooting Guide Motorcycle Performance Kindle books Carburator Troubleshooting Guide Motorcycle Performance, with their inherent ease, flexibility, and wide array of titles, have certainly transformed the way we encounter literature. They offer readers the freedom to discover the boundless realm of written expression, whenever, anywhere. As we continue to navigate the ever-evolving digital scene, E-book books stand as testament to the enduring power of storytelling, ensuring that the joy of reading remains reachable to all.

[https://py.bijouxmedusa.com/results/Resources/default.aspx/15\\_2428\\_print\\_on\\_demand\\_trends\\_for\\_entrepreneurs\\_15\\_1996\\_print\\_on\\_demand.pdf](https://py.bijouxmedusa.com/results/Resources/default.aspx/15_2428_print_on_demand_trends_for_entrepreneurs_15_1996_print_on_demand.pdf)

## **Table of Contents Carburetor Troubleshooting Guide Motorcycle Performance**

1. Understanding the eBook Carburetor Troubleshooting Guide Motorcycle Performance
  - The Rise of Digital Reading Carburetor Troubleshooting Guide Motorcycle Performance
  - Advantages of eBooks Over Traditional Books
2. Identifying Carburetor Troubleshooting Guide Motorcycle Performance
  - Exploring Different Genres
  - Considering Fiction vs. Non-Fiction
  - Determining Your Reading Goals
3. Choosing the Right eBook Platform
  - Popular eBook Platforms
  - Features to Look for in an Carburetor Troubleshooting Guide Motorcycle Performance
  - User-Friendly Interface
4. Exploring eBook Recommendations from Carburetor Troubleshooting Guide Motorcycle Performance
  - Personalized Recommendations
  - Carburetor Troubleshooting Guide Motorcycle Performance User Reviews and Ratings
  - Carburetor Troubleshooting Guide Motorcycle Performance and Bestseller Lists
5. Accessing Carburetor Troubleshooting Guide Motorcycle Performance Free and Paid eBooks
  - Carburetor Troubleshooting Guide Motorcycle Performance Public Domain eBooks
  - Carburetor Troubleshooting Guide Motorcycle Performance eBook Subscription Services
  - Carburetor Troubleshooting Guide Motorcycle Performance Budget-Friendly Options
6. Navigating Carburetor Troubleshooting Guide Motorcycle Performance eBook Formats
  - ePub, PDF, MOBI, and More
  - Carburetor Troubleshooting Guide Motorcycle Performance Compatibility with Devices
  - Carburetor Troubleshooting Guide Motorcycle Performance Enhanced eBook Features
7. Enhancing Your Reading Experience
  - Adjustable Fonts and Text Sizes of Carburetor Troubleshooting Guide Motorcycle Performance
  - Highlighting and Note-Taking Carburetor Troubleshooting Guide Motorcycle Performance
  - Interactive Elements Carburetor Troubleshooting Guide Motorcycle Performance

8. Staying Engaged with Carburetor Troubleshooting Guide Motorcycle Performance
  - Joining Online Reading Communities
  - Participating in Virtual Book Clubs
  - Following Authors and Publishers Carburetor Troubleshooting Guide Motorcycle Performance
9. Balancing eBooks and Physical Books Carburetor Troubleshooting Guide Motorcycle Performance
  - Benefits of a Digital Library
  - Creating a Diverse Reading Collection Carburetor Troubleshooting Guide Motorcycle Performance
10. Overcoming Reading Challenges
  - Dealing with Digital Eye Strain
  - Minimizing Distractions
  - Managing Screen Time
11. Cultivating a Reading Routine Carburetor Troubleshooting Guide Motorcycle Performance
  - Setting Reading Goals Carburetor Troubleshooting Guide Motorcycle Performance
  - Carving Out Dedicated Reading Time
12. Sourcing Reliable Information of Carburetor Troubleshooting Guide Motorcycle Performance
  - Fact-Checking eBook Content of Carburetor Troubleshooting Guide Motorcycle Performance
  - Distinguishing Credible Sources
13. Promoting Lifelong Learning
  - Utilizing eBooks for Skill Development
  - Exploring Educational eBooks
14. Embracing eBook Trends
  - Integration of Multimedia Elements
  - Interactive and Gamified eBooks

### **Carburetor Troubleshooting Guide Motorcycle Performance Introduction**

In this digital age, the convenience of accessing information at our fingertips has become a necessity. Whether its research papers, eBooks, or user manuals, PDF files have become the preferred format for sharing and reading documents. However, the cost associated with purchasing PDF files can sometimes be a barrier for many individuals and organizations. Thankfully, there are numerous websites and platforms that allow users to download free PDF files legally. In this article, we will explore some of the best platforms to download free PDFs. One of the most popular platforms to download free PDF files is Project

Gutenberg. This online library offers over 60,000 free eBooks that are in the public domain. From classic literature to historical documents, Project Gutenberg provides a wide range of PDF files that can be downloaded and enjoyed on various devices. The website is user-friendly and allows users to search for specific titles or browse through different categories. Another reliable platform for downloading Carburetor Troubleshooting Guide Motorcycle Performance free PDF files is Open Library. With its vast collection of over 1 million eBooks, Open Library has something for every reader. The website offers a seamless experience by providing options to borrow or download PDF files. Users simply need to create a free account to access this treasure trove of knowledge. Open Library also allows users to contribute by uploading and sharing their own PDF files, making it a collaborative platform for book enthusiasts. For those interested in academic resources, there are websites dedicated to providing free PDFs of research papers and scientific articles. One such website is Academia.edu, which allows researchers and scholars to share their work with a global audience. Users can download PDF files of research papers, theses, and dissertations covering a wide range of subjects. Academia.edu also provides a platform for discussions and networking within the academic community. When it comes to downloading Carburetor Troubleshooting Guide Motorcycle Performance free PDF files of magazines, brochures, and catalogs, Issuu is a popular choice. This digital publishing platform hosts a vast collection of publications from around the world. Users can search for specific titles or explore various categories and genres. Issuu offers a seamless reading experience with its user-friendly interface and allows users to download PDF files for offline reading. Apart from dedicated platforms, search engines also play a crucial role in finding free PDF files. Google, for instance, has an advanced search feature that allows users to filter results by file type. By specifying the file type as "PDF," users can find websites that offer free PDF downloads on a specific topic. While downloading Carburetor Troubleshooting Guide Motorcycle Performance free PDF files is convenient, it's important to note that copyright laws must be respected. Always ensure that the PDF files you download are legally available for free. Many authors and publishers voluntarily provide free PDF versions of their work, but it's essential to be cautious and verify the authenticity of the source before downloading Carburetor Troubleshooting Guide Motorcycle Performance. In conclusion, the internet offers numerous platforms and websites that allow users to download free PDF files legally. Whether it's classic literature, research papers, or magazines, there is something for everyone. The platforms mentioned in this article, such as Project Gutenberg, Open Library, Academia.edu, and Issuu, provide access to a vast collection of PDF files. However, users should always be cautious and verify the legality of the source before downloading Carburetor Troubleshooting Guide Motorcycle Performance any PDF files. With these platforms, the world of PDF downloads is just a click away.

### FAQs About Carburetor Troubleshooting Guide Motorcycle Performance Books

How do I know which eBook platform is the best for me? Finding the best eBook platform depends on your reading preferences and device compatibility. Research different platforms, read user reviews, and explore their features before making a choice. Are free eBooks of good quality? Yes, many reputable platforms offer high-quality free eBooks, including classics and public domain works. However, make sure to verify the source to ensure the eBook credibility. Can I read eBooks without an eReader? Absolutely! Most eBook platforms offer web-based readers or mobile apps that allow you to read eBooks on your computer, tablet, or smartphone. How do I avoid digital eye strain while reading eBooks? To prevent digital eye strain, take regular breaks, adjust the font size and background color, and ensure proper lighting while reading eBooks. What the advantage of interactive eBooks? Interactive eBooks incorporate multimedia elements, quizzes, and activities, enhancing the reader engagement and providing a more immersive learning experience. Carburetor Troubleshooting Guide Motorcycle Performance is one of the best book in our library for free trial. We provide copy of Carburetor Troubleshooting Guide Motorcycle Performance in digital format, so the resources that you find are reliable. There are also many Ebooks of related with Carburetor Troubleshooting Guide Motorcycle Performance. Where to download Carburetor Troubleshooting Guide Motorcycle Performance online for free? Are you looking for Carburetor Troubleshooting Guide Motorcycle Performance PDF? This is definitely going to save you time and cash in something you should think about.

### Find Carburetor Troubleshooting Guide Motorcycle Performance :

[15-2428 print on demand trends for entrepreneurs](#) [15-1996 print on demand automation case study USA](#) [15-2093 business automation case study for weight loss best practices for startups](#) **15-773 weight loss blueprint for** [15-2590 mental wellness blueprint for entrepreneurs](#) [15-262 mental parenting tips apps USA](#) **15-536 parenting tips apps United States** **15-2120 step by step for creators** [15-155 cloud computing step by step for online business for beginners for entrepreneurs](#) [15-358 online business](#) [15-1833 travel tips comparison United States](#) [15-2834 travel tips](#) **15-2365 smart home tech comparison America** **15-2396 smart home tech roadmap USA** [15-1802 online privacy roadmap for creators](#) [15-2021 online practices USA](#) [15-1389 small business ideas best practices United States by step for entrepreneurs](#) [15-866 AI marketing step by step for small](#)

**entrepreneurs 15-1825 home organization strategies for startups 15-194**

15-1529 NFT marketplace checklist for creators 15-908 NFT marketplace

**investing roadmap America 15-2498 real estate investing roadmap USA**

**Carburetor Troubleshooting Guide Motorcycle Performance :**

[a journey through transport idioma inglés by chris oxlade](#) - Dec 08 2022

web a journey through transport idioma inglés by chris oxlade john haslam a journey through transport idioma inglés by chris oxlade john haslam learn about shapes with elly learning is fun for children with kidscamp national geographic magazine toll english to spanish translation by lexico really learn english vocabulary and easy english grammar

*a journey through transport idioma ingles copy* - Jun 02 2022

web a journey through transport idioma ingles whispering the techniques of language an mental journey through a journey through transport idioma ingles in a digitally driven earth where screens reign great and instant transmission drowns out the subtleties of language the profound strategies and emotional subtleties concealed within phrases

**a journey through transport idioma inglés by chris oxlade** - Sep 05 2022

web a journey through transport idioma inglés by chris oxlade john haslam a journey through transport idioma inglés by chris oxlade john haslam if you want to entertaining fiction lots of stories legend gags and more fictions collections are also commenced from best seller to one of the most ongoing unveiled hence straightforward so are

**a journey through transport idioma inglés by chris oxlade** - Feb 10 2023

web jun 17 2023 this a journey through transport idioma inglés by chris oxlade john haslam as one of the predominant running sellers here will thoroughly be accompanied by the best possibilities to review críticas the vehicles themselves are stylized but recognizable which is a good thing because closing quizzes challenge viewers to

**a journey through transport idioma ingles pdf uniport edu** - Jul 03 2022

web may 8 2023 journey through transport idioma ingles as one of the most vigorous sellers here will completely be among the best options to review a critical pronouncing dictionary of the english language together with principles of english

**a journey through transport by chris oxlade goodreads** - Mar 11 2023

web jul 4 2017 from steam engine to spaceship tractor to tandem take a journey into the weird and wonderful world of transportation travel back in time and explore the first bikes cars trains and planes then discover shiny new modes of transport and explore the amazing ways machines transport us around today

**a journey through transport idioma ingles pdf pdf** - Feb 27 2022

web a journey through transport idioma ingles pdf upload herison q ferguson 1 25 downloaded from elections freep com on

august 1 2023 by herison q ferguson a journey through transport idioma ingles pdf a journey through transport idioma ingles pdf thank you very much for reading a journey through transport idioma ingles pdf

**a journey through transport amazon com** - Nov 07 2022

web jul 4 2017 a journey through transport hardcover july 4 2017 from steam engine to spaceship tractor to tandem take a journey into the weird and wonderful world of transportation travel back in time and explore the first bikes cars trains and planes then discover shiny new modes of transport and explore the amazing ways machines

**a journey through transport idioma ingles copy uniport edu** - Jan 29 2022

web a journey through transport idioma ingles 1 1 downloaded from uniport edu ng on august 10 2023 by guest a journey through transport idioma ingles right here we have countless book a journey through transport idioma ingles and collections to check out we additionally provide variant types and moreover type of the books to browse

**a journey through transport idioma inglés by chris oxlade** - Oct 06 2022

web a journey through transport idioma inglés by chris oxlade john haslam a journey through transport idioma inglés by chris oxlade john haslam practical guide vitoria gasteiz definición flight engineer diccionario inglés reverso national geographic magazine learn about shapes with elly learning is fun for children with kidscamp duolingo

**ruta de transporte traducción al inglés linguee** - May 01 2022

web muchos ejemplos de oraciones traducidas contienen ruta de transporte diccionario inglés español y buscador de traducciones en inglés

*download a journey through transport idioma inglés de* - Jul 15 2023

web mar 19 2021 a journey through transport idioma inglés de chris oxlade john haslam descripción críticas the vehicles themselves are stylized but recognizable which is a good thing because closing quizzes challenge viewers to identify 13 of them and to answer a set of questions too

*a journey through transport idioma ingles pdf full pdf* - Apr 12 2023

web apr 9 2023 a journey through transport idioma ingles pdf is available in our digital library an online access to it is set as public so you can download it instantly our digital library saves in multiple countries allowing you to get the most less latency time to download any of our books like this one

**a journey through transport idioma inglés by chris oxlade** - Mar 31 2022

web journey through transport idioma inglés by chris oxlade john haslam but end up in detrimental downloads on certain occasions you likewise accomplish not explore the journal a journey through transport idioma inglés by chris oxlade john haslam that you are looking for you have survived in right site to begin getting this details

**move through a journey** ██████████ █████ ██████████ ███ ██████████ - Dec 28 2021

web 如何 如何 如何如何如何 move through a journey 如何 如何如何如何 如何如何如何如何 如何 reverso context 如何如何如何 context 如何如何如何 如何如何如何 如何如何如何 如何如何如何 如何如何如何 documents 如何如何如何 collaborative dictionary 如何如何如何 expressio reverso corporate

**a journey through transport idioma ingles john cam hobhouse** - Aug 04 2022

web a journey through transport idioma ingles recognizing the habit ways to get this books a journey through transport idioma ingles is additionally useful you have remained in right site to begin getting this info get the a journey through transport idioma ingles associate that we allow here and check out the link

**a journey through transport idioma inglés by chris oxlade** - May 13 2023

web jun 27 2023 a journey through transport idioma inglés by chris oxlade john haslam trip over land and sea through the air into space and a bit beyond the present day kirkus

[a journey through transport idioma inglés tapa dura](#) - Aug 16 2023

web a journey through transport idioma inglés oxlade chris haslam john amazon es libros

*a journey through transport idioma inglés by chris oxlade* - Jun 14 2023

web jun 11 2023 a journey through transport idioma inglés by chris oxlade john haslam a journey through transport idioma inglés by chris oxlade john haslam if you want to comical stories lots of literature narrative gags and more fictions collections are also started from best seller to one of the most latest debuted preferably than delighting a

**a journey through transport hardcover 20 july 2017** - Jan 09 2023

web jul 20 2017 from steam engine to spaceship tractor to tandem take a journey into the weird and wonderful world of transportation travel back in time and explore the first bikes cars trains and planes then discover shiny new modes of transport and explore the amazing ways machines transport us around today

**9 on trend redken shades eq formulas to try for fall** - Nov 20 2022

web want to try redken shades eq formulas for your fall color change matt rez redken brand ambassador shades his top nine trending hair colors for fall he created using shades eq the blonde redken shades eq colors to try for fall butter blonde interested in adding extra warmth to your blonde base color for autumn

**conversion goldwell colorance redken shades eq wella color** - Oct 19 2022

web conversion from redken shades eq goldwell colorance wella color touch new igora vibrance our state of the art moisturizing demi permanent haircolor with a liquid formula that can turn into a gel or cream for more service options discover how igora

*shade charts redken education in person virtual* - May 26 2023

web from shades eq to color gels lacquers create your best work by referencing or printing these shade charts for your salon download from the selection below or visit the new and improved redken asset library for all updated redken shade charts

find all pdfs under business tools

[the shades eq digital lookbook top formulas shade charts redken](#) - Sep 30 2023

web feb 8 2023 the 2023 lookbook features over 100 formulas and color transformations from redken artists ambassadors and stylists like you as well as tips to get the most out of the iconic pink bottle and all the must have services to add to your salon menus including the new bonded gloss service

[81 redken color formulas ideas pinterest](#) - Aug 17 2022

web mar 21 2019 explore monique s board redken color formulas on pinterest see more ideas about redken color hair color formulas hair color techniques

**introducing redken s color fusion cover fusion** - Dec 21 2022

web color fusion formulation example for covering gray 1 natural level 4 light brown 25 50 gray 2 target color level 6 dark blonde with soft golden tones 3 undertone at level 6 orange 4 formula 2 oz 6gb color fusion 2 oz 20 vol pro oxide cream developer cover fusion formulation example 1 natural level 4 light

[redken shades eq red copper formulas iconbc com](#) - Jul 28 2023

web redken shades eq has over 100 shade formulations to gloss tone refresh correct and add dimension refresh faded mid shaft and ends zones 2 3 while processing permanent color on regrowth zone 1

**conversion tools redken shades eq color conversion chart** - Jun 27 2023

web redken shades eq this conversion chart was created by our color professionals as a guide these comparisons are recommendations only not exact formula or shade matches color may vary depending on the natural tone

**redken color fusion color conversion chart joico** - Mar 24 2023

web 1n 3n 1 4 5na 5n 1 4 7na 7n 1 4 7na n a ash green 4aa 5aa 6aa 7aa 7na 8na gold beige 4ng 5nwb 4ng 6ng 6ng 7ng 8ng 9ng 10ng n a red brown 4rrv 1 4 5nrg vero k pak color permanent crème color

[280 best redken shades eq color formulas ideas in 2023 pinterest](#) - Mar 12 2022

web hair foils hairstyle oct 2 2023 explore michelle phillips s board redken shades eq color formulas followed by 687 people on pinterest see more ideas about hair color formulas redken hair color redken hair products

**shades eq redken** - Jan 22 2023

web formulation guidelines determine your client s natural hair color level using the shades eq neutral brown blonde nb family swatches found in the swatch book remember to consider percentage of gray hair texture condition and hair density determine the target color desired by your client

**what s new with shades eq redken** - Jun 15 2022

web redken s newest shades eq innovation provides 3 anti yellow anti orange shades to give you ultra cool end results when

color correcting in the salon the shades eq violet blue shades are redken s most advanced corrective

**conversion tools redken color fusion color conversion chart** - Apr 25 2023

web redken color fusion ash ash redken color fusion ash blue 7aa 7a ash violet 9av the color xg 2 parts 10pa 1 part 8pa violet ash the color xg gold gold 12ab hla 7gg 1 part 7n 1 part 7g 6c 1 part 6nb 1 part 6c 10ab 10a 6gg 1 part 6n 1 part 6g 4c 1 part 4nb 1 part 4c 8ab 8a 5gg 1 part 5n 1 part 5g 6ab 6a gold

*kenra color to redken formula confessions of a* - Jul 16 2022

web mar 14 2016 it s easy to switch from a kenra color to redken formula with this guide i rarely use a guide for switching between color lines because i trust myself more than the guide but if you re more of a novice then this will help you until you become more familiar with redken hair color

**permanent hair color color fusion redken** - May 14 2022

web professional haircolor color fusion color fusion natural looking multi dimensional results with condition and shine the same great formula you love but now with a fresh new look 2 products new color fusion advanced performance permanent color cream 4 6 27 new cover fusion 4 9 10 connect with redken

shades eq hair gloss benefits treatments and more redken - Apr 13 2022

web let s start with the basics a shades eq hair gloss is a versatile professional hair color service offered in salons perfect for refreshing color and enhancing your hair s natural shine redken s shades eq gloss service also leaves you

*redken shades eq color correction formulas iconbc com* - Aug 29 2023

web jul 23 2021 platinum transformation prelighten regrowth with your desired foiling technique before application of correcting gloss zones 2 3 formula tone zone 1 with shades eq gloss 1oz 30ml 06na 1oz 30ml seq processing solution tone zone 1 with shades eq gloss 1oz 30ml 010vv 1oz 30ml 09p 2oz 60ml seq processing

*2022 redken shades eq favorite formulas iconbc com* - Sep 18 2022

web redken shades eq demi permanent has over 100 shade formulations to refine any base color or undertone to color perfection mastering the art of refining and toning allows your true artistry to shine and sets you apart from the rest

**color fusion redken** - Feb 23 2023

web natural fashion natural ash natural natural natural gold beige natural gold iridescent natural gold natural gold copper natural brown copper natural copper red natural brown red ash green ash blue ash violet neutral gold beige gold gold gold orange gold copper gold red brown

**get the formula face framing ashy blonde behindthechair com** - Feb 11 2022

web dec 11 2020 formula a redken flash lift bonder inside 15 volume developer formula b 2 parts redken shades eq 7gb 1 part 8v shades eq processing solution formula c redken shades eq 10n shades eq processing solution formula d redken

shades eq 5n 7c shades eq processing solution

*vehiculos libro para colorear para edades de 4 8 pdf* - Jun 30 2023

web 2 vehiculos libro para colorear para edades de 4 8 2022 07 20 vehiculos libro para colorear para edades de 4 8

downloaded from mail lafamigliawv com by guest randolph emely vehículos libro para colorear para niños libro para colorear vehículos para niños de 4 a 8 años a tus hijos les encantan los coches los camiones y

*libros para colorear autos mercadolibre* - Feb 24 2023

web envíos gratis en el día compre libros para colorear autos en cuotas sin interés conozca nuestras increíbles ofertas y promociones en millones de productos

*vehiculos libro para colorear para edades de 4 8 2022* - Aug 21 2022

web libro para colorear vehículos para niños de 4 a 8 años vehículos libro para colorear para niños colorear vehículos coches camiones barcos trenes aviones

**colorea tus autos favoritos junto a los más pequeños de la casa** - Aug 01 2023

web mar 24 2020 mercedes benz y audi han lanzado dibujos para colorear junto a los más pequeños de la casa

completamente gratis y así hacer más ameno este tiempo en esta época de guarda han salido muchas rutinas y actividades para realizar con los más pequeños de casa como los mejores sets de lego para armar y seguir estimulando su

*libros de colorear para niños 4 8 años blogger* - Sep 02 2023

web en esta colección encontrarás libros de colorear y cuadernos de entretenimiento para niños a partir de 4 años de edad colorear es una actividad muy divertida que encanta a todos los niños gracias a ella dan rienda suelta a su imaginación y fomentan su creatividad además puede ayudar bastante al adulto para entender su mundo

dibujos de coches para colorear páginas para imprimir y colorear - May 18 2022

web supercoloring com es una superdiversión para todas las edades para chicos y chicas niños y adultos adolescentes e infantes preescolares y niños mayores de esa edad en la escuela lleva tu imaginación a un nuevo nivel de realismo elige la página para colorear que mejor encaje con tu aspiración

*dibujos de autos para colorear profe recursos dibujos de* - May 30 2023

web 20 ago 2020 dibujos de autos para colorear profe recursos pinterest tienda explorar libros para colorear fotos

imprimibles páginas para colorear para imprimir gratis dibujos caricaturas de carros diseños de graffiti autos de carton autos argentinos

vehiculos libro para colorear para edades de 4 8 sven - Dec 25 2022

web may 20 2023 este libro consta de 50 páginas para colorear sobre automóviles y vehículos libro para colorear de coches camiones y autobuses para niños m s crowdell 2021 04 30 un perfecto libro para colorear de coches camiones y autobuses

para niños de 4 a 8 años este libro para colorear para niños está lleno de hermosos

**vehículos libro para colorear para edades de 4 8 divertido libro para** - Oct 03 2023

web vehículos libro para colorear para edades de 4 8 divertido libro para colorear para que los niños colorean y aprendan sobre autobuses colorear cuál es el mejor del 2020 descuentos de última hora en juego para colorear 175 mejores imágenes de para colorear en 2020 páginas libro para colorear top model con lápices amp plumas mr

vehiculos libro para colorear para edades de 4 8 2022 - Sep 21 2022

web libro para colorear vehículos para niños de 4 a 8 años vehículos blindados libro para colorear 2 libro de colorear de 50 vehículos para niños de 4 a 8 años libro para colorear vehículos para niños de 4 a 8 años libro de colorear para niños 2 8 años libro para colorear vehículos libro para colorear de vehículos para niños de 4

*libro de colorear vehiculos edades 4 8 libro de colorear para* - Oct 23 2022

web horas de diversión y colorido un cuader libro de colorear vehiculos edades 4 8 libro de colorear para niños y niñas 90 páginas de hermosos diseños de vehiculos para críos de 4 a 8 años by adb editions goodreads

**vehiculos libro para colorear para edades de 4 8 pdf** - Jul 20 2022

web vehiculos libro para colorear para edades de 4 8 vehículos libro para colorear para niños colorear vehículos coches camiones barcos trenes aviones ideal como primer libro para colorear para que los bebés aprendan sobre coches el arte es como un arco iris infinito y de colores brillantes alimenta la vehiculos libro para

vehiculos libro para colorear para edades de 4 8 download - Nov 23 2022

web vehiculos libro para colorear para edades de 4 8 1 omb no 6439180756457 vehiculos libro para colorear para edades de 4 8 colección única emocionante y sorprendente de páginas para colorear que contienen lindos camiones y supercoches que a los niños de 2 4 3 5 4 6 4 8 años les encantará colorear

**vehiculos libro para colorear para edades de 4 8 2022** - Jan 26 2023

web libro de colorear de 50 vehículos para niños de 4 a 8 años libro para colorear de vehículos para niños de 4 a 8 años libro para colorear de vehículos de construcción libro de colorear para niños 2 8 años vehiculos libro para colorear para edades de 4 8 downloaded from ftp bonide com by guest haas randolph vehículos libro para

*vehículos libro para colorear para edades de 4 8 divertido libro para* - Feb 12 2022

web aug 18 2023 para colorear para edades de 4 8 divertido libro para colorear para que los tug do nlnetlabs nl 1 102 niños colorean y aprendan sobre autobuses escolares camiones tractores imágenes de para colorear en 2020 páginas es libros para colorear libros january 4th 2020

**vehiculos libro para colorear para edades de 4 8 pdf** - Mar 16 2022

web vehiculos libro para colorear para edades de 4 8 1 vehiculos libro para colorear para edades de 4 8 camiones aviones y

coches libro de colorear para nin os coches y vehículos de colorear libro para niños de 4 a 8 años libros para colorear para niños mis coches libro de coches para colorear para niños libro para colorear

**vehículos libro para colorear para edades de 4 8 2023** - Jun 18 2022

web vehiculos libro para colorear para edades de 4 8 vehiculos libro para colorear para edades de 4 8 2 downloaded from waptac org on 2023 07 09 by guest ahora libro para colorear vehículos para niños de 4 a 8 años daniel green press 2021 12 03 a tus hijos les encantan los coches los camiones y los aviones entonces este libro de

vehiculos libro para colorear para edades de 4 8 pdf - Apr 28 2023

web coches libro de colorear para niños de 4 a 8 años 100 vehículos libro de colorear para niños 2 años coches y vehículos de colorear libro para niños de 4 a 8 años vehículo libro de colorear para niños libro para colorear de camiones y coches para niños vehiculos libro para colorear para edades de 4 8 downloaded from api digital

**vehículos libro para colorear para edades de 4 8 copy** - Apr 16 2022

web vehiculos libro para colorear para edades de 4 8 book review unveiling the magic of language in a digital era where connections and knowledge reign supreme the enchanting power of language has be much more apparent than ever

**vehículos libro para colorear para edades de 4 8 pdf** - Mar 28 2023

web ideal para niños de todas las edades libro para colorear de gran tamaño 21 x 29 7 cm es un regalo maravilloso conoces a alguien a quien le gusten los coches hazle sonreír regalándole este libro