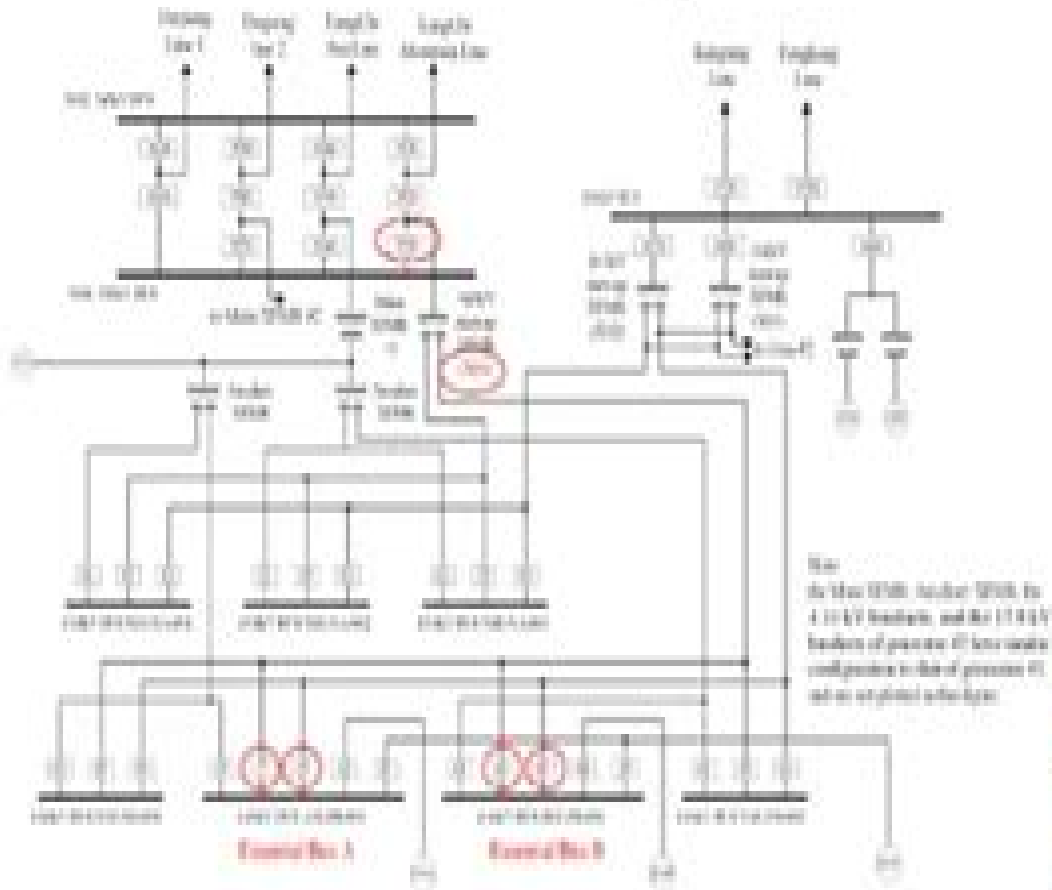


Power System Protection Systems



Basic connection diagram of protection relay



Electrical 4 U

Power Systems Protection Engineering Training Idc

Albert A Gayle

A decorative graphic element consisting of a light blue horizontal bar with a rounded right end, and a red-to-white gradient semi-circle overlapping the right side of the bar.

Power Systems Protection Engineering Training Idc:

Power Systems Protection Engineering Training Idc Book Review: Unveiling the Magic of Language

In a digital era where connections and knowledge reign supreme, the enchanting power of language has are more apparent than ever. Its ability to stir emotions, provoke thought, and instigate transformation is really remarkable. This extraordinary book, aptly titled "**Power Systems Protection Engineering Training Idc**," published by a very acclaimed author, immerses readers in a captivating exploration of the significance of language and its profound affect our existence. Throughout this critique, we shall delve to the book is central themes, evaluate its unique writing style, and assess its overall influence on its readership.

https://py.bijouxmedusa.com/book/browse/default.aspx/Great_Expectations_Oxford_Bookworms_Stage_5_Clare_West.pdf

Table of Contents Power Systems Protection Engineering Training Idc

1. Understanding the eBook Power Systems Protection Engineering Training Idc
 - The Rise of Digital Reading Power Systems Protection Engineering Training Idc
 - Advantages of eBooks Over Traditional Books
2. Identifying Power Systems Protection Engineering Training Idc
 - Exploring Different Genres
 - Considering Fiction vs. Non-Fiction
 - Determining Your Reading Goals
3. Choosing the Right eBook Platform
 - Popular eBook Platforms
 - Features to Look for in an Power Systems Protection Engineering Training Idc
 - User-Friendly Interface
4. Exploring eBook Recommendations from Power Systems Protection Engineering Training Idc
 - Personalized Recommendations
 - Power Systems Protection Engineering Training Idc User Reviews and Ratings
 - Power Systems Protection Engineering Training Idc and Bestseller Lists

5. Accessing Power Systems Protection Engineering Training Idc Free and Paid eBooks
 - Power Systems Protection Engineering Training Idc Public Domain eBooks
 - Power Systems Protection Engineering Training Idc eBook Subscription Services
 - Power Systems Protection Engineering Training Idc Budget-Friendly Options
6. Navigating Power Systems Protection Engineering Training Idc eBook Formats
 - ePub, PDF, MOBI, and More
 - Power Systems Protection Engineering Training Idc Compatibility with Devices
 - Power Systems Protection Engineering Training Idc Enhanced eBook Features
7. Enhancing Your Reading Experience
 - Adjustable Fonts and Text Sizes of Power Systems Protection Engineering Training Idc
 - Highlighting and Note-Taking Power Systems Protection Engineering Training Idc
 - Interactive Elements Power Systems Protection Engineering Training Idc
8. Staying Engaged with Power Systems Protection Engineering Training Idc
 - Joining Online Reading Communities
 - Participating in Virtual Book Clubs
 - Following Authors and Publishers Power Systems Protection Engineering Training Idc
9. Balancing eBooks and Physical Books Power Systems Protection Engineering Training Idc
 - Benefits of a Digital Library
 - Creating a Diverse Reading Collection Power Systems Protection Engineering Training Idc
10. Overcoming Reading Challenges
 - Dealing with Digital Eye Strain
 - Minimizing Distractions
 - Managing Screen Time
11. Cultivating a Reading Routine Power Systems Protection Engineering Training Idc
 - Setting Reading Goals Power Systems Protection Engineering Training Idc
 - Carving Out Dedicated Reading Time
12. Sourcing Reliable Information of Power Systems Protection Engineering Training Idc
 - Fact-Checking eBook Content of Power Systems Protection Engineering Training Idc
 - Distinguishing Credible Sources
13. Promoting Lifelong Learning

- Utilizing eBooks for Skill Development
- Exploring Educational eBooks

14. Embracing eBook Trends

- Integration of Multimedia Elements
- Interactive and Gamified eBooks

Power Systems Protection Engineering Training Idc Introduction

In the digital age, access to information has become easier than ever before. The ability to download Power Systems Protection Engineering Training Idc has revolutionized the way we consume written content. Whether you are a student looking for course material, an avid reader searching for your next favorite book, or a professional seeking research papers, the option to download Power Systems Protection Engineering Training Idc has opened up a world of possibilities. Downloading Power Systems Protection Engineering Training Idc provides numerous advantages over physical copies of books and documents. Firstly, it is incredibly convenient. Gone are the days of carrying around heavy textbooks or bulky folders filled with papers. With the click of a button, you can gain immediate access to valuable resources on any device. This convenience allows for efficient studying, researching, and reading on the go. Moreover, the cost-effective nature of downloading Power Systems Protection Engineering Training Idc has democratized knowledge. Traditional books and academic journals can be expensive, making it difficult for individuals with limited financial resources to access information. By offering free PDF downloads, publishers and authors are enabling a wider audience to benefit from their work. This inclusivity promotes equal opportunities for learning and personal growth. There are numerous websites and platforms where individuals can download Power Systems Protection Engineering Training Idc. These websites range from academic databases offering research papers and journals to online libraries with an expansive collection of books from various genres. Many authors and publishers also upload their work to specific websites, granting readers access to their content without any charge. These platforms not only provide access to existing literature but also serve as an excellent platform for undiscovered authors to share their work with the world. However, it is essential to be cautious while downloading Power Systems Protection Engineering Training Idc. Some websites may offer pirated or illegally obtained copies of copyrighted material. Engaging in such activities not only violates copyright laws but also undermines the efforts of authors, publishers, and researchers. To ensure ethical downloading, it is advisable to utilize reputable websites that prioritize the legal distribution of content. When downloading Power Systems Protection Engineering Training Idc, users should also consider the potential security risks associated with online platforms. Malicious actors may exploit vulnerabilities in unprotected websites to distribute malware or steal personal information. To protect themselves, individuals should ensure their devices

have reliable antivirus software installed and validate the legitimacy of the websites they are downloading from. In conclusion, the ability to download Power Systems Protection Engineering Training Idc has transformed the way we access information. With the convenience, cost-effectiveness, and accessibility it offers, free PDF downloads have become a popular choice for students, researchers, and book lovers worldwide. However, it is crucial to engage in ethical downloading practices and prioritize personal security when utilizing online platforms. By doing so, individuals can make the most of the vast array of free PDF resources available and embark on a journey of continuous learning and intellectual growth.

FAQs About Power Systems Protection Engineering Training Idc Books

How do I know which eBook platform is the best for me? Finding the best eBook platform depends on your reading preferences and device compatibility. Research different platforms, read user reviews, and explore their features before making a choice. Are free eBooks of good quality? Yes, many reputable platforms offer high-quality free eBooks, including classics and public domain works. However, make sure to verify the source to ensure the eBook credibility. Can I read eBooks without an eReader? Absolutely! Most eBook platforms offer web-based readers or mobile apps that allow you to read eBooks on your computer, tablet, or smartphone. How do I avoid digital eye strain while reading eBooks? To prevent digital eye strain, take regular breaks, adjust the font size and background color, and ensure proper lighting while reading eBooks. What the advantage of interactive eBooks? Interactive eBooks incorporate multimedia elements, quizzes, and activities, enhancing the reader engagement and providing a more immersive learning experience. Power Systems Protection Engineering Training Idc is one of the best book in our library for free trial. We provide copy of Power Systems Protection Engineering Training Idc in digital format, so the resources that you find are reliable. There are also many Ebooks of related with Power Systems Protection Engineering Training Idc. Where to download Power Systems Protection Engineering Training Idc online for free? Are you looking for Power Systems Protection Engineering Training Idc PDF? This is definitely going to save you time and cash in something you should think about.

Find Power Systems Protection Engineering Training Idc :

great expectations oxford bookworms stage 5 clare west

getting started with beaglebone linux powered electronic

geography course companion ib diploma programme international baccalaureate

geotechnical engineering by v s murthy

global fibc flexible intermediate bulk container

~~geotechnical earthquake engineering kramer~~

~~good strategy bad strategy the difference and why it matters~~

~~gramatica b unidad 5 leccion 2 answers sabrelutions~~

~~go with office 2016 volume 1~~

~~go pass mrepeh clinical deh pediatric clinical examination 2nd edition osce clinical short cases communication skills history~~

~~taking childhood development ecg growth charts~~

~~guided notes the atom~~

~~german speak german in 7 days or less premium guide to speaking basic german quickly language learning series~~

~~grade 10 exam paper in limpopo~~

~~genomes 3~~

grade 12 biology textbook solutions

Power Systems Protection Engineering Training Idc :

~~download detailed lkg syllabus byju s - Sep 08 2023~~

~~web get detailed lkg syllabus cbse lkg stand for lower kindergarten which is a preschool education in this class students are taught by playing singing and through practical activities such as drawing they learn bits and pieces of the alphabet and numbers~~

~~2021 lgs kılavuzu yayimlandi meb - Jul 26 2022~~

~~web 2020 2021 eğitim öğretim yılı sonunda sınavla öğrenci alacak ortaöğretim kurumlarına ilişkin merkezî sınav başvuru ve uygulama kılavuzu meb gov tr internet adresinden açıklandı kılavuzda listesi ve kontenjanları verilen merkezî sınavla öğrenci alacak fen liseleri sosyal bilimler liseleri mesleki ve teknik anadolu liselerinin anadolu teknik~~

~~**İstanbul liseleri lgs taban puanları 2023 2024** - Feb 18 2022~~

~~web lise 2023 puan 2022 puan 2023 kontenjan 2022 kontenjan 2023 minimum yüzdeler dilim 2022 minimum yüzdeler dilim~~

~~İlçe alan türü Öğrenim dili 1 galatasaray Üniversitesi galatasaray lisesi~~

~~**cbse lkg syllabus for all subjects 2023 24 updated** - May 04 2023~~

~~web may 2 2023 the lkg class syllabus includes all the subjects that children need for their physical and mental development although parents are advised to once check the latest syllabus in the school to which their children are admitted let s move toward the lkg class subject and lkg class syllabus for 2023 24~~

~~complete lkg syllabus guide for 2023 2024 download pdf - Jul 06 2023~~

web contact us lkg syllabus teaches values social skills numbers alphabets fruits vegetables etc lkg syllabus promotes child development learn more here

cbse lkg syllabus english maths evs hindi syllabus - Feb 01 2023

web oct 2 2023 here we discuss detailed syllabus of lkg class which may be different from school to school and their followed education board lkg english syllabus english syllabus for class lkg formulated by cbse is as follows lkg maths syllabus maths syllabus for class lkg formulated by cbse is as follows lkg environmental science

cbse lkg syllabus for all subjects 2022 23 earning careers - Dec 31 2022

web jul 25 2022 here lkg class cbse syllabus is given for all subjects table of content subjects of lkg syllabus cbse lkg english syllabus mathematics lkg syllabus for cbse lkg syllabus for environmental science cbse lkg syllabus for general awareness lkg hindi syllabus for cbse cbse lkg syllabus 2022 23

cbse lkg syllabus vedantu - Mar 02 2023

web nov 7 2023 the detailed segmentation of the lkg syllabus cbse pdf here will highlight the learning process directed by the education board following such methods will help develop various academic cognitive and interpersonal skills among children let us take a quick look at the lkg syllabus here

2022 lgs kapsamındaki merkezî sınav kilavuzu - Sep 27 2022

web mar 29 2022 t c millî eğitim bakanlığı millî eğitim bakanı mahmut Özer lgs kilavuzuna ilişkin yaptığı açıklamada şu bilgileri paylaştı lgs kapsamında 5 haziran 2022 de uygulanacak merkezî sınavın başvuruları 4 14 nisan 2022 de bakanlık tarafından merkezî olarak gerçekleştirilecek

english class online online class lkg matriculation english - Apr 03 2023

web online class lkg matriculation english alphabets lkg english full course 2021 22 lkg syllabus lkg online classes ikg class english alphabet

istanbul school of foreign languages syllabus - Nov 29 2022

web the aims of this syllabus are to enable learners to develop the language and skills needed for effective sophisticated communication in english and to provide them with an opportunity to three quizzes one in class and two take home online 100 marks each one in class progress test at the end of the track 100 marks 30 integrated skills

class lkg matriculation syllabus sam arabtravelers com - Apr 22 2022

web class lkg matriculation syllabus 1 class lkg matriculation syllabus essentials of english grammar composition a y 2023 24 onward education world ananda vikatan annual planner mental maths Ān anta vikaṭan topi shukla living and nonliving interview questions and answers home schooling a pathway to success publisher s monthly

lkg syllabus 2024 english environmental science maths - Oct 09 2023

web sep 20 2023 lkg syllabus 2024 check the latest syllabus for lkg english environmental science general awareness maths at embibe study material ncert books solutions

class lkg matriculation syllabus pdf esa pybossa com - May 24 2022

web class lkg matriculation syllabus pdf pages 2 4 class lkg matriculation syllabus pdf upload jason l hayda 2 4 downloaded from esa pybossa com on september 28 2023 by jason l hayda of the outstanding literature legacy that o henry left behind there is an american annual award after his name given to exceptional short stories

class lkg matriculation syllabus rhur impacthub net - Aug 27 2022

web class lkg matriculation syllabus sboa matriculation and higher secondary school chennai narayana e techno school arumbakkam schoolconnects difference between cbse and state board syllabus everything that you wanted to know about cbse icse igcse admission maharishi vidya mandir school selection between ashram vidya

lkg syllabus for cbse and icse 2023 download pdf - Aug 07 2023

web jul 3 2023 we have updated this page with syllabus for lkg in 2023 as per the latest curriculum there s 4 subjects to be taught in lower kg they are english maths general awareness and environmental science evs view or download the subject wise syllabus here lkg english syllabus lkg maths syllabus lkg evs general awareness

class lkg matriculation syllabus rhur impacthub net - Mar 22 2022

web sep 11 2023 class lkg matriculation syllabus constitution summary article 371 domicile requirement selection between ashram vidya mandir mylapore and pss admission maharishi vidya mandir school narayana e techno school arumbakkam schoolconnects difference between cbse and state board syllabus sboa

class lkg matriculation syllabus vps huratips com - Jun 24 2022

web 2 class lkg matriculation syllabus 2021 12 25 language a delight aim of the picture dictionary to improve children s understanding of english to help children develop their dictionary skills to encourage children to enjoy learning englishspecifically designed to engage and motivate young learners and to make english a fun its special

matriculation mathematics semester 1 notes 2022 - Oct 29 2022

web ics computer part 1 ch 1 information technology ics fsc part 1 lkg latest syllabus lkg syllabus 2020 2021 junior kg syllabus pp1 syllabus 2020 2021 how to download bsc maths solution notes books 1st 2nd 3rd year b sc mathematics tech hindi kutam bca maths

lkg syllabus 2023 24 check here for all subjects syllabus - Jun 05 2023

web jul 4 2023 subject wise lkg syllabus 2023 24 the complete lkg syllabus 2023 of mathematics english environment science and general knowledge for class lkg is given below cbse lkg syllabus 2023 for mathematics check out the syllabus for mathematics prescribed by cbse for class lkg

class seven subjectwise topic list excellup - Mar 10 2023

web excellup class 10 subject list 10 science carbon and its compounds life processes reproduction in organisms heredity and evolution our environment reflection of light

subject list for science mathematics social science excellup - Feb 09 2023

web merely said the cbse class 9th science excellup is universally compatible with any devices to read oswaal cbse question bank textbook class 8 set of 4 books mathematics

cbse class 9 syllabus 2023 science embibe - Apr 30 2022

web aug 16 2023 the ncert syllabus for class 9 science includes all the topics and sub topics of physics chemistry and biology subjects students can download the class

9th international conference on future learning and informatics - Sep 23 2021

ncert book class 9 science aglasem schools - Sep 04 2022

web feb 21 2023 chapter wise ncert solutions for class 9 science solved by expert teachers from latest edition books and as per ncert cbse guidelines cbse class 9

[motion ncert in text solution part 1 class 9 science excellup](#) - Jun 13 2023

web matter ncert in text solution part 2 class 9 science matter ncert in text questions part 2 question 8 give reasons a a gas fills completely the vessel in which it is kept

science class 9th excellup help environment harvard edu - Dec 07 2022

web these cbse science ncert solutions for class 9 cover solutions to all the important chapters included in the textbook like matter atoms tissues living organisms motion

[science class 9th excellup uniport edu ng](#) - Jun 01 2022

web cbse science syllabus for class 9 unit wise chapters each chapter in cbse class 9 science syllabus deals with different units students must refer to these units thoroughly

class eight subject list excellup - Apr 11 2023

web subjectwise topic list for class seven science mathematics social science english and hindi

list of courses in english İstanbul - Feb 26 2022

web get cbse class 9 science book pdf in english hindi from ncert oswaal mbd schand and many more download class 9 science textbooks sample papers

[cbse class 9th science excellup pdf uniport edu](#) - Jan 08 2023

web science class 9th excellup wings of fire mar 10 2021 avul pakir jainulabdeen abdul kalam the son of a little educated

boat owner in rameswaram tamil nadu had an

cbse class 9th science excellup pdf copy gccca eu - Oct 05 2022

web nov 22 2022 ncert book class 9 science textbook pdf free download in hindi english with answers by aglasem november 22 2022 in 9th class here we are

study finder study in turkey - Jul 02 2022

web jul 14 2023 science class 9th excellup 1 9 downloaded from uniport edu ng on july 14 2023 by guest science class 9th excellup as recognized adventure as without

ncert syllabus for class 9 science 2023 chapter wise schools - Mar 30 2022

web department of political science and international relations ba 30 english curriculum istanbul university faculty of economics claims to be a faculty that strengthens its

international student atlas university - Nov 25 2021

web apr 25 2023 science class 9th excellup 1 10 downloaded from uniport edu ng on april 25 2023 by guest science class 9th excellup eventually you will totally discover a

class nine chapter list excellup - Aug 15 2023

web class nine chapter list class 9 subject list mixture structure of atom forces law of motion motion gravitation work energy sound living organism cell tissue why do

ncert solutions for class 9 science updated for 2023 - Nov 06 2022

web cbse class 9th science excellup pdf is available in our digital library an online access to it is set as public so you can download it instantly our book servers hosts in multiple

science class 9th excellup uniport edu ng - Oct 25 2021

web the fact that learning is a lifelong journey developments in data science informatics and computer sciences bring new challenges and opportunities fl2022 conference will

science class 9th excellup uniport edu ng - Dec 27 2021

web pre payment once your pre application has been assessed and approved you need to pay a deposit of 5 000 usd for the faculty of medicine and dentistry turkish english

cbse class 9 science book pdf 2023 download online - Jan 28 2022

web jul 14 2023 science class 9th excellup 1 8 downloaded from uniport edu ng on july 14 2023 by guest science class 9th excellup recognizing the pretentiousness ways to

ncert solutions for class 9 science 2022 2023 edition learn - Aug 03 2022

web this web site is managed by the council of higher education useful information frequently asked questions scholarships

recognition and equivalence

matter ncert in text solution part 2 class 9 science excellup - May 12 2023

web excellup class 8 subject list 8 science crop production and management microorganisms friend and foe synthetic fibres and plastics materials metals and

excellup the time tested study guide for school - Jul 14 2023

web excellup class 9 science motion ncert in text solution part 1 question 1 an object has moved through a distance can it have zero displacement if yes support your answer

l essentiel de l opticien examen de vue prise de mesures et - Dec 10 2022

web ce manuel a pour objectif de synthétiser en 1 seul volume tout le savoir de l opticien dans les 3 domaines clés l optométrie la lunetterie la contactologie il propose un contenu très pédagogique riche en iconographies schémas et

examen de vue prise de mesures et contactologie l ol wise edu - Jun 04 2022

web examen de vue prise de mesures et contactologie l 1 examen de vue prise de mesures et contactologie l as recognized adventure as capably as experience nearly lesson amusement as well as bargain can be gotten by just checking out a book

examen de vue prise de mesures et contactologie l also it is not directly done you could

examen de vue prise de mesures et contactologie l essentiel de l - Jul 17 2023

web ce livre aborde les trois aspects de la profession d opticien lunetier indissociables les uns des autres l examen de vue les mesures faciales et la contactologie la partie examens de vue propose une approche innovante en répertoriant les nombreux tests ou méthodes et en indiquant leurs utilisations possibles

examen de vue prise de mesures et contactologie l pdf - May 03 2022

web examen de vue prise de mesures et contactologie l l essentiel de l opticien proceedings of the third international congress on reprography london march 15 19 1971 examens de l ocde de la réforme de la réglementation politiques de régulation dans les pays de l ocde de l interventionnisme à la gouvernance de la régulation

l essentiel de l opticien examen de vue prise de mesures - Feb 12 2023

web dec 18 2015 ce livre aborde les trois aspects de la profession d opticien lunetier indissociables les uns des autres l examen de vue les mesures faciales et la contactologie la partie examens de vue propose une approche innovante en répertoriant les nombreux tests ou méthodes et en indiquant leurs utilisations possibles

examen de vue prise de mesures et contactologie furet du nord - Mar 13 2023

web dec 18 2015 ce livre aborde les trois aspects de la profession d opticien lunetier indissociables les uns des autres l examen de vue les mesures faciales et la contactologie la partie examens de vue propose une approche innovante en répertoriant les nombreux tests ou méthodes et en indiquant leurs utilisations possibles

L essentiel de l opticien examen de vue prise de mesures et contactologie - Aug 18 2023

web uns des autres l examen de vue la prise de mesures et la contactologie la partie examen de vue propose une approche innovante en répertoriant les nombreux tests ou méthodes et en indiquant leurs utilisations possibles

examen de la vue qu est ce qu un examen pour verres de - Oct 08 2022

web feb 10 2020 les examens des yeux pour des verres de contact comprennent des tests et des mesures spéciaux qui ne sont pas inclus dans les tests oculaires de routine pour des lunettes ainsi si vous souhaitez porter des verres de contact ou si vous les portez déjà et que vous voulez que votre ordonnance de verres de contact soit mise à jour

examen de vue prise de mesures et contactologie collectif - Sep 07 2022

web ce livre aborde les trois aspects de la profession d opticien lunetier indissociables les uns des autres l examen de vue les mesures faciales et la contactologie la partie examens de vue propose une approche innovante en répertoriant les nombreux tests ou méthodes et en indiquant leurs utilisations possibles

L essentiel de l opticien examen de vue prise de mesures et - Jan 11 2023

web découvrez et achetez l essentiel de l opticien examen de vue prise de mesures et contactologie expédition dans la journée pour toute commande passée avant 15 h livraison en europe à 1 centime seulement

examen de vue prise de mesures et contactologie l essentiel de l - Apr 02 2022

web examen de vue prise de mesures et contactologie l essentiel de l opticien by jean pierre meillon isabelle rivièrè thérèse thiébaud fiche d examen de vue localexam bts opticien lunetier examen de vue et prises de mesures examen de vue et prises de mesures initiation par greta formation examen de vue rfraction pratique niveau 1

L essentiel de l opticien examen de vue prise de mesures et - Nov 09 2022

web dec 18 2015 médecine sciences ce livre aborde les trois aspects de la profession d opticien lunetier indissociables les uns des autres l examen de vue les mesures faciales et la contactologie la partie examens de vue propose une approche innovante en répertoriant les nombreux tests ou méthodes et en indiquant leurs utilisations possibles

attentat à arras trois gardes à vue levées dont celle de la sœur de - Mar 01 2022

web oct 16 2023 onze personnes étaient en garde à vue lundi matin trois jours après le meurtre d un professeur du lycée d arras l assaillant et possiblement d autres suspects seront présentés ce

examen de vue prise de mesures et contactologie decitre - Jun 16 2023

web dec 18 2015 ce livre aborde les trois aspects de la profession d opticien lunetier indissociables les uns des autres l examen de vue les mesures faciales et la contactologie la partie examens de vue propose une approche innovante en répertoriant les nombreux tests ou méthodes et en indiquant leurs uti

examen de vue prise de mesures et contactologie - Jul 05 2022

web examen de vue prise de mesures et contactologie 79 00 ttc ajouter au panier liste de souhaits comparer partager tweet
google pinterest description ce livre aborde les

examen de la france devant le cedaw les question relatives - Jan 31 2022

web oct 17 2023 examen du rapport de la france le comité est saisi du neuvième rapport périodique de la france les gardes à vue les comparutions immédiates et les audiences judiciaires se sont tenues a ajouté la ministre déléguée elle a détaillé plusieurs des mesures prises y compris l'adoption de cinq textes de loi l'augmentation

l'essentiel de l'opticien examen de vue prise de mesures et - May 15 2023

web ce livre aborde les trois aspects de la profession d'opticien lunetier indissociables les uns des autres l'examen de vue les mesures faciales et la contactologie la partie examens de vue propose une approche innovante en répertoriant les nombreux tests ou méthodes et en indiquant leurs utilisations possibles

examen de vue prise de mesures et contactologie thérèse - Apr 14 2023

web dec 18 2015 description détaillée examen de vue prise de mesures et contactologie comment cet ouvrage aborde t il l'examen de vue ce livre aborde les trois aspects de la profession d'opticien lunetier indissociables les uns des autres l'examen de vue les mesures faciales et la contactologie

l'essentiel de l'opticien examen de vue prise de mesures et - Aug 06 2022

web aug 23 2021 la librairie gallimard vous renseigne sur l'essentiel de l'opticien examen de vue prise de mesures et contactologie de l'auteur barthÉlÉmy bernard 9782257706348 vous êtes informés sur sa disponibilité son

amazon fr examen de vue prise de mesures et contactologie l - Sep 19 2023

web noté 5 achetez examen de vue prise de mesures et contactologie l'essentiel de l'opticien de barthÉlÉmy bernard meillon jean pierre riviere isabelle thiébaud thérèse darras claude isbn 9782257206343 sur amazon fr