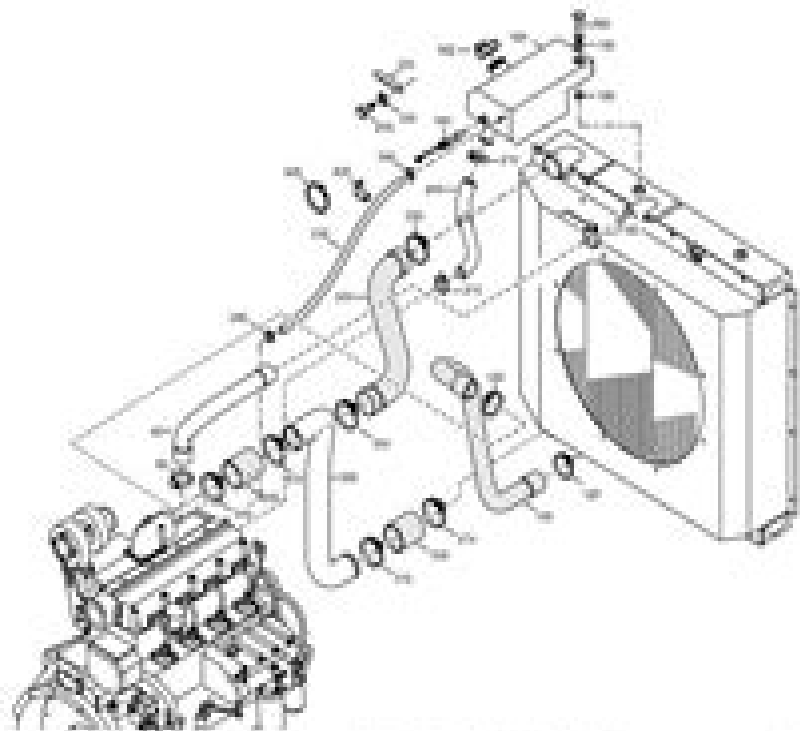


STANDARD

FRONT LOADING



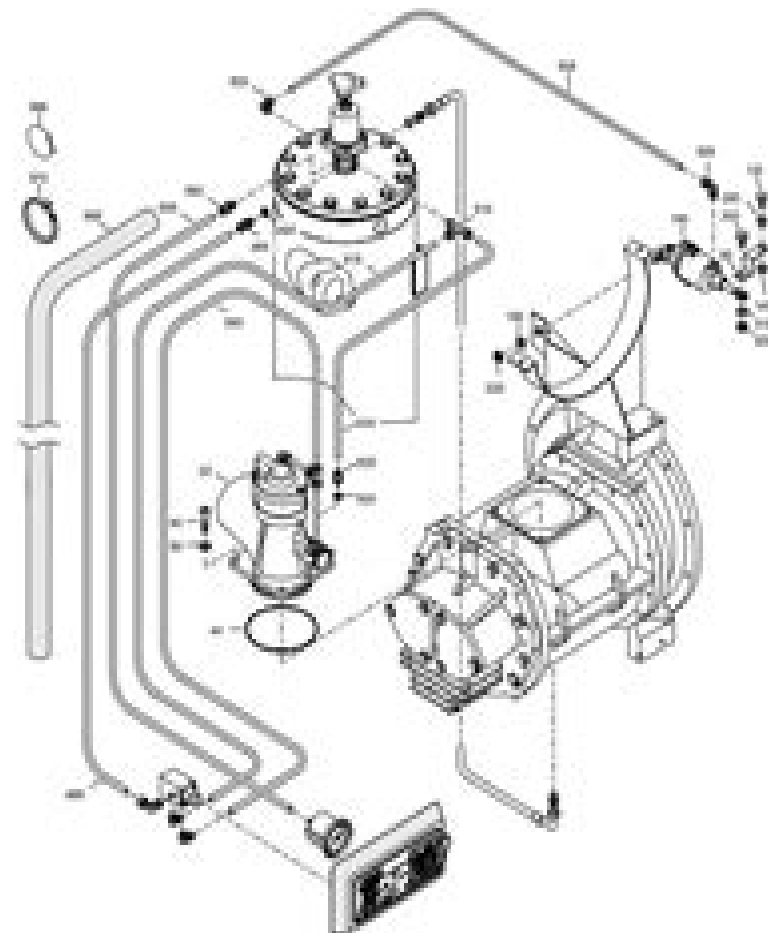
REF.	REF. NUMBER	DESCRIPTION	QTY	REF.	REF. NUMBER	DESCRIPTION	QTY
01	100 0110 01	BOX	1	30	107 010 01	WIRE CLAMP	1
02	107 010 01	WIRE CLAMP	1	31	101 000 01	BRACKET	1
03	100 0114 01	WIRE	1	41	100 100 01	TABLET	1
04	107 010 01	WIRE CLAMP	1				
05	100 0100 01	TOPWALL	1				
06	101 0010 01	Adjustable Feet	4				
07	100 0100 01	LEVEL VENTIL	1				
08	100 1000 01	FLAT WASHER	1				
09	100 0100 01	WATER INLET	1				
10	100 0100 01	WIRE	1				
11	107 010 01	WIRE CLAMP	1				
12	107 010 01	WIRE CLAMP	1				
13	107 100 01	WIRE BRACKET	1				
14	100 1000 01	LOCK WASHER	1				
15	100 0000 01	BRACKET	1				
16	075 000 01	WIRE BOND	1				
17	107 010 01	WIRE CLAMP	1				
18	100 0110 01	WIRE	1				
19	100 0100 01	WIRE	1				
20	107 010 01	WIRE CLAMP	1				
21	100 0100 01	WIRE	1				
22	107 010 01	WIRE CLAMP	1				
23	100 0100 01	WIRE	1				
24	100 0100 01	WIRE	1				
25	107 010 01	WIRE CLAMP	1				
26	100 0100 01	WIRE	1				
27	100 0100 01	WIRE	1				
28	107 010 01	WIRE CLAMP	1				
29	100 0100 01	WIRE	1				
30	100 0100 01	WIRE	1				
31	107 010 01	WIRE CLAMP	1				
32	100 0100 01	WIRE	1				
33	100 0100 01	WIRE	1				
34	107 010 01	WIRE CLAMP	1				
35	100 0100 01	WIRE	1				
36	100 0100 01	WIRE	1				
37	107 010 01	WIRE CLAMP	1				
38	100 0100 01	WIRE	1				
39	100 0100 01	WIRE	1				
40	107 010 01	WIRE CLAMP	1				
41	100 0100 01	WIRE	1				
42	100 0100 01	WIRE	1				
43	107 010 01	WIRE CLAMP	1				
44	100 0100 01	WIRE	1				
45	100 0100 01	WIRE	1				
46	107 010 01	WIRE CLAMP	1				
47	100 0100 01	WIRE	1				
48	100 0100 01	WIRE	1				
49	107 010 01	WIRE CLAMP	1				
50	100 0100 01	WIRE	1				
51	100 0100 01	WIRE	1				
52	107 010 01	WIRE CLAMP	1				
53	100 0100 01	WIRE	1				
54	100 0100 01	WIRE	1				
55	107 010 01	WIRE CLAMP	1				
56	100 0100 01	WIRE	1				
57	100 0100 01	WIRE	1				
58	107 010 01	WIRE CLAMP	1				
59	100 0100 01	WIRE	1				
60	100 0100 01	WIRE	1				
61	107 010 01	WIRE CLAMP	1				
62	100 0100 01	WIRE	1				
63	100 0100 01	WIRE	1				
64	107 010 01	WIRE CLAMP	1				
65	100 0100 01	WIRE	1				
66	100 0100 01	WIRE	1				
67	107 010 01	WIRE CLAMP	1				
68	100 0100 01	WIRE	1				
69	100 0100 01	WIRE	1				
70	107 010 01	WIRE CLAMP	1				
71	100 0100 01	WIRE	1				
72	100 0100 01	WIRE	1				
73	107 010 01	WIRE CLAMP	1				
74	100 0100 01	WIRE	1				
75	100 0100 01	WIRE	1				
76	107 010 01	WIRE CLAMP	1				
77	100 0100 01	WIRE	1				
78	100 0100 01	WIRE	1				
79	107 010 01	WIRE CLAMP	1				
80	100 0100 01	WIRE	1				
81	100 0100 01	WIRE	1				
82	107 010 01	WIRE CLAMP	1				
83	100 0100 01	WIRE	1				
84	100 0100 01	WIRE	1				
85	107 010 01	WIRE CLAMP	1				
86	100 0100 01	WIRE	1				
87	100 0100 01	WIRE	1				
88	107 010 01	WIRE CLAMP	1				
89	100 0100 01	WIRE	1				
90	100 0100 01	WIRE	1				
91	107 010 01	WIRE CLAMP	1				
92	100 0100 01	WIRE	1				
93	100 0100 01	WIRE	1				
94	107 010 01	WIRE CLAMP	1				
95	100 0100 01	WIRE	1				
96	100 0100 01	WIRE	1				
97	107 010 01	WIRE CLAMP	1				
98	100 0100 01	WIRE	1				
99	100 0100 01	WIRE	1				
100	107 010 01	WIRE CLAMP	1				

REF. 100 0100 01

100

STANDARD

WASHER DRYER



100

REF. 100 0100 01

Atlas Copco Air Compressor Service Manual

J Elliott



Atlas Copco Air Compressor Service Manual:

Monthly Catalog of United States Government Publications ,1990 *Mergent Industrial Manual* ,2003

Monthly Catalogue, United States Public Documents ,1990 Mergent International Manual ,2003 Drilling and Blasting of Rocks C. Lopez Jimeno,E. Lopez Jimeno,Francisco Javier Ayala Carcedo,2017-11-22 Rock breakage with explosives has existed since the seventeenth century when black powder came into use in mining Since then it has progressed from the invention of dynamite to the use of heavy ANFO During the past two decades there have been numerous technical contributions which have brought a better understanding of rock fragmentation with explosives an improvement in drilling equipment and a noticeable evolution in the development of new explosives and blasting accessories The Geomining Technological Institute of Spain ITCE aware of this progress and of the importance which the breakage process has acquired in mining and civil engineering projects has ordered the publication of Drilling and Blasting of Rocks The purpose of this Handbook is to give basic knowledge of the drilling systems the types of available explosives and the accessories and the parameters that intervene in blast designing whether controllable or not at the same time the objectives and contents contribute to improved safety in mining The Handbook is meant for all professionals who are involved with explosives in mining operations and civil engineering projects as well as for students of technical schools Contractors & Engineers Magazine ,1969 *WHO Technical specifications for health facility based medical oxygen systems* World Health Organization,2025-01-10 The Clinical Management and Operations Unit Country Readiness Strengthening Department in collaboration with the Medical Devices and Diagnostics Unit Health Products Policy and Standards Department have developed the Technical specifications for health facility based medical oxygen systems This publication outlines minimum quality and safety standards and features of medical oxygen sources storage and distribution products that are implemented inside health facilities Western Industry and Western Industrial Guide ,1960 **Western Industry** ,1957

Hydraulics & Pneumatics ,1968 The Jan 1956 issue includes Fluid power engineering index 1931 55 **Air and Gas Drilling Manual** William C. Lyons,2000-12-28 Be prepared for drilling s hottest trend According to the U S Department of Energy by 2005 30% of all wells will be drilled using gas and air The Air and Gas Drilling Manual by William Lyons an internationally known expert and holder of nine drilling patents lays out everything you need to apply air and gas drilling to all kinds of operations from the most basic to the most complex and for the shallowest to the deepest You re shown how to Master the air and gas drilling techniques in vital industries construction and development of water wells monitoring wells geotechnical boreholes mining operations boreholes and more Calculate volumetric flow and compressor requirements Drill with stable foam unstable foam and aerated liquids as well as gas and air Handle the special considerations of deep hole drilling Perform direct and reverse flow circulation calculations Specify drills collars and casings Engineer and operate specialized downhole projects Plan operations and choose air package contractors Canadian Mining and Metallurgical

Bulletin Canadian Institute of Mining, Metallurgy and Petroleum, Canadian Institute of Mining and Metallurgy, 1928
Mechanical Engineering ,1971 *International California Mining Journal* ,1996 **Chicago Telephone Directory**
Illinois Bell Telephone Company, 2002 **Building Equipment News** ,1960 **The Australasian Engineer** ,1972
Civil Engineering ,1972 **Contractors and Engineers Magazine** ,1970 Pneumatic Handbook ,1967

Immerse yourself in the artistry of words with Crafted by is expressive creation, **Atlas Copco Air Compressor Service Manual** . This ebook, presented in a PDF format (Download in PDF: *), is a masterpiece that goes beyond conventional storytelling. Indulge your senses in prose, poetry, and knowledge. Download now to let the beauty of literature and artistry envelop your mind in a unique and expressive way.

https://py.bijouxmedusa.com/files/book-search/Download_PDFS/disparen%20a%20matar%20manual%20para%20lavar%20y%20planchar%20cerebros%20en%20la%20fuerza%20armada%20nacional%20bolivariana%20de%20venezuela%20spanish%20edition.pdf

Table of Contents Atlas Copco Air Compressor Service Manual

1. Understanding the eBook Atlas Copco Air Compressor Service Manual
 - The Rise of Digital Reading Atlas Copco Air Compressor Service Manual
 - Advantages of eBooks Over Traditional Books
2. Identifying Atlas Copco Air Compressor Service Manual
 - Exploring Different Genres
 - Considering Fiction vs. Non-Fiction
 - Determining Your Reading Goals
3. Choosing the Right eBook Platform
 - Popular eBook Platforms
 - Features to Look for in an Atlas Copco Air Compressor Service Manual
 - User-Friendly Interface
4. Exploring eBook Recommendations from Atlas Copco Air Compressor Service Manual
 - Personalized Recommendations
 - Atlas Copco Air Compressor Service Manual User Reviews and Ratings
 - Atlas Copco Air Compressor Service Manual and Bestseller Lists
5. Accessing Atlas Copco Air Compressor Service Manual Free and Paid eBooks
 - Atlas Copco Air Compressor Service Manual Public Domain eBooks

- Atlas Copco Air Compressor Service Manual eBook Subscription Services
- Atlas Copco Air Compressor Service Manual Budget-Friendly Options
- 6. Navigating Atlas Copco Air Compressor Service Manual eBook Formats
 - ePub, PDF, MOBI, and More
 - Atlas Copco Air Compressor Service Manual Compatibility with Devices
 - Atlas Copco Air Compressor Service Manual Enhanced eBook Features
- 7. Enhancing Your Reading Experience
 - Adjustable Fonts and Text Sizes of Atlas Copco Air Compressor Service Manual
 - Highlighting and Note-Taking Atlas Copco Air Compressor Service Manual
 - Interactive Elements Atlas Copco Air Compressor Service Manual
- 8. Staying Engaged with Atlas Copco Air Compressor Service Manual
 - Joining Online Reading Communities
 - Participating in Virtual Book Clubs
 - Following Authors and Publishers Atlas Copco Air Compressor Service Manual
- 9. Balancing eBooks and Physical Books Atlas Copco Air Compressor Service Manual
 - Benefits of a Digital Library
 - Creating a Diverse Reading Collection Atlas Copco Air Compressor Service Manual
- 10. Overcoming Reading Challenges
 - Dealing with Digital Eye Strain
 - Minimizing Distractions
 - Managing Screen Time
- 11. Cultivating a Reading Routine Atlas Copco Air Compressor Service Manual
 - Setting Reading Goals Atlas Copco Air Compressor Service Manual
 - Carving Out Dedicated Reading Time
- 12. Sourcing Reliable Information of Atlas Copco Air Compressor Service Manual
 - Fact-Checking eBook Content of Atlas Copco Air Compressor Service Manual
 - Distinguishing Credible Sources
- 13. Promoting Lifelong Learning
 - Utilizing eBooks for Skill Development
 - Exploring Educational eBooks

14. Embracing eBook Trends

- Integration of Multimedia Elements
- Interactive and Gamified eBooks

Atlas Copco Air Compressor Service Manual Introduction

Atlas Copco Air Compressor Service Manual Offers over 60,000 free eBooks, including many classics that are in the public domain. Open Library: Provides access to over 1 million free eBooks, including classic literature and contemporary works. Atlas Copco Air Compressor Service Manual Offers a vast collection of books, some of which are available for free as PDF downloads, particularly older books in the public domain. Atlas Copco Air Compressor Service Manual : This website hosts a vast collection of scientific articles, books, and textbooks. While it operates in a legal gray area due to copyright issues, its a popular resource for finding various publications. Internet Archive for Atlas Copco Air Compressor Service Manual : Has an extensive collection of digital content, including books, articles, videos, and more. It has a massive library of free downloadable books. Free-eBooks Atlas Copco Air Compressor Service Manual Offers a diverse range of free eBooks across various genres. Atlas Copco Air Compressor Service Manual Focuses mainly on educational books, textbooks, and business books. It offers free PDF downloads for educational purposes. Atlas Copco Air Compressor Service Manual Provides a large selection of free eBooks in different genres, which are available for download in various formats, including PDF. Finding specific Atlas Copco Air Compressor Service Manual, especially related to Atlas Copco Air Compressor Service Manual, might be challenging as theyre often artistic creations rather than practical blueprints. However, you can explore the following steps to search for or create your own Online Searches: Look for websites, forums, or blogs dedicated to Atlas Copco Air Compressor Service Manual, Sometimes enthusiasts share their designs or concepts in PDF format. Books and Magazines Some Atlas Copco Air Compressor Service Manual books or magazines might include. Look for these in online stores or libraries. Remember that while Atlas Copco Air Compressor Service Manual, sharing copyrighted material without permission is not legal. Always ensure youre either creating your own or obtaining them from legitimate sources that allow sharing and downloading. Library Check if your local library offers eBook lending services. Many libraries have digital catalogs where you can borrow Atlas Copco Air Compressor Service Manual eBooks for free, including popular titles. Online Retailers: Websites like Amazon, Google Books, or Apple Books often sell eBooks. Sometimes, authors or publishers offer promotions or free periods for certain books. Authors Website Occasionally, authors provide excerpts or short stories for free on their websites. While this might not be the Atlas Copco Air Compressor Service Manual full book , it can give you a taste of the authors writing style. Subscription Services Platforms like Kindle Unlimited or Scribd offer subscription-based access to a wide range of Atlas Copco Air Compressor Service Manual eBooks, including some popular titles.

FAQs About Atlas Copco Air Compressor Service Manual Books

How do I know which eBook platform is the best for me? Finding the best eBook platform depends on your reading preferences and device compatibility. Research different platforms, read user reviews, and explore their features before making a choice. Are free eBooks of good quality? Yes, many reputable platforms offer high-quality free eBooks, including classics and public domain works. However, make sure to verify the source to ensure the eBook credibility. Can I read eBooks without an eReader? Absolutely! Most eBook platforms offer webbased readers or mobile apps that allow you to read eBooks on your computer, tablet, or smartphone. How do I avoid digital eye strain while reading eBooks? To prevent digital eye strain, take regular breaks, adjust the font size and background color, and ensure proper lighting while reading eBooks. What the advantage of interactive eBooks? Interactive eBooks incorporate multimedia elements, quizzes, and activities, enhancing the reader engagement and providing a more immersive learning experience. Atlas Copco Air Compressor Service Manual is one of the best book in our library for free trial. We provide copy of Atlas Copco Air Compressor Service Manual in digital format, so the resources that you find are reliable. There are also many Ebooks of related with Atlas Copco Air Compressor Service Manual. Where to download Atlas Copco Air Compressor Service Manual online for free? Are you looking for Atlas Copco Air Compressor Service Manual PDF? This is definitely going to save you time and cash in something you should think about. If you trying to find then search around for online. Without a doubt there are numerous these available and many of them have the freedom. However without doubt you receive whatever you purchase. An alternate way to get ideas is always to check another Atlas Copco Air Compressor Service Manual. This method for see exactly what may be included and adopt these ideas to your book. This site will almost certainly help you save time and effort, money and stress. If you are looking for free books then you really should consider finding to assist you try this. Several of Atlas Copco Air Compressor Service Manual are for sale to free while some are payable. If you arent sure if the books you would like to download works with for usage along with your computer, it is possible to download free trials. The free guides make it easy for someone to free access online library for download books to your device. You can get free download on free trial for lots of books categories. Our library is the biggest of these that have literally hundreds of thousands of different products categories represented. You will also see that there are specific sites catered to different product types or categories, brands or niches related with Atlas Copco Air Compressor Service Manual. So depending on what exactly you are searching, you will be able to choose e books to suit your own need. Need to access completely for Campbell Biology Seventh Edition book? Access Ebook without any digging. And by having access to our ebook online or by storing it on your computer, you have convenient answers with Atlas Copco Air Compressor Service Manual To get started finding Atlas Copco Air Compressor Service Manual, you are right to find our website which has a comprehensive collection of books online. Our library is the biggest of these that have literally hundreds of thousands of different products represented. You will also see that there are

specific sites catered to different categories or niches related with Atlas Copco Air Compressor Service Manual So depending on what exactly you are searching, you will be able to choose ebook to suit your own need. Thank you for reading Atlas Copco Air Compressor Service Manual. Maybe you have knowledge that, people have search numerous times for their favorite readings like this Atlas Copco Air Compressor Service Manual, but end up in harmful downloads. Rather than reading a good book with a cup of coffee in the afternoon, instead they juggled with some harmful bugs inside their laptop. Atlas Copco Air Compressor Service Manual is available in our book collection an online access to it is set as public so you can download it instantly. Our digital library spans in multiple locations, allowing you to get the most less latency time to download any of our books like this one. Merely said, Atlas Copco Air Compressor Service Manual is universally compatible with any devices to read.

Find Atlas Copco Air Compressor Service Manual :

disparen a matar manual para lavar y planchar cerebros en la fuerza armada nacional bolivariana de venezuela spanish edition

download captivated by you pdf

draw chibi how to draw chibi for beginners pencil drawings chibi manga step by step d book chibi drawing books

dont worry it gets worse one twentysomethings mostly failed attempts at adulthood alida nugent

drosophila a laboratory handbook

dosha test by chopra

dropfleet commander rulebook panzer command

douppnik and perera international accounting solution manual

downloads engineering mechanics by nh dubey pdf

dystopian literature a theory and research

diy wood pallet projects woodworking download

distributieriem hyundai matrix mijnautoonderdelen nl

drill bit guide for a hand held

diving code practice 1

download bayesian data analysis third edition chapman amp hall cre texts in statistical science pdf

Atlas Copco Air Compressor Service Manual :

qpsk modulation github topics github - Aug 05 2023

web nov 25 2021 this is matlab implementation of modulation and demodulation of qpsk signals with added white gaussian noise communication matlab signals demodulation qpsk awgn gaussian noise qpsk modulation updated jun 17 2021

modulation using oqpsk method matlab mathworks - Feb 28 2023

web description the comm oqpskmodulator object modulates the input signal using the offset quadrature phase shift keying oqpsk method and applies pulse shape filtering to the output waveform for more information see pulse shaping filter the output is a baseband representation of the modulated signal

qpsk function operation matlab stack overflow - Jul 24 2022

web jan 19 2018 the pskmod function expects an input consisting of symbols as numbers in the range 0 m 1 not bits that is it modulates the symbols into complex values but doesn't do the mapping from bits to symbols this is also the default behaviour of the comm oqpskmodulator object

qpsk transmitter and receiver matlab simulink mathworks - Jul 04 2023

web this example shows the implementation of a qpsk transmitter and receiver with matlab in particular this example illustrates methods to address real world wireless communications issues like carrier frequency and phase offset timing recovery and frame synchronization

implementation of qpsk modulation on matlab simulation ijeit - Jun 22 2022

web phase shift key modulation is a technique in which phase of carrier wave is varied in accordance with the modulating signal qpsk quadrature phase shift key or sometimes called as 4 pskis a digital modulation technique here 4 represents 4 phase 45 135 225 315 in which carrier is send fig 1

modulate using quadrature phase shift keying method mathworks - Jun 03 2023

web the qpsk modulator baseband block modulates using the quadrature phase shift keying method the output is a baseband representation of the modulated signal integer valued signals and binary valued signals if you set the input type parameter to integer then valid input values are 0 1 2 and 3

how to generate qpsk signal in matlab stack overflow - Nov 27 2022

web may 5 2022 i am trying to generate the qpsk signal in matlab with average transmit power of 1 i had got certain links that uses inbuilt pskmod function in matlab but it do not include average transmit power of 1 this is the code i use to generate the qpsk signal $\text{mod}(4 \cdot n, 256) \cdot x \cdot n \cdot \text{randi}(0, \text{mod}(1, n) - 1, s) \cdot \text{pskmod}(x \cdot n, \text{mod}(\pi, \text{mod}))$

how can i do qpsk in matlab signal processing stack - Sep 25 2022

web go to matlab and check the help of comm oqpskmodulator then you can explore the demodulation easily you can also

check this web page for deep understanding gaussianwaves com 2010 10 qpsk modulation and demodulation 2 good luck
[qpsk modulation and demodulation in the presence of matlab](#) - May 02 2023

web may 13 2016 the submitted code attempts to model a relatively practical qpsk transmitter consisting of a bit stream generator a pair of modulators rf up converters along with a raised cosine filter a digital to analogue converter dac and a non linear rf power amplifier rf pa

[to be removed demodulate using qpsk method matlab](#) - Aug 25 2022

web description the comm qpskdemodulator object demodulates a signal that was modulated using the quadrature phase shift keying qpsk method the input is a baseband representation of the modulated signal to demodulate a signal that was modulated using the qpsk method create the comm qpskdemodulator object and

matlab code for qpsk pdf modulation data transmission - Feb 16 2022

web axis 0 11 0 1 5 data nzm 2 data 1 data represented at nzm form for qpsk modulation s p data reshape data nzm 2 length data 2 s p conversion of data br 10 6 let us transmission bit rate 1000000 f br

qpsk modulation and demodulation by using simulink - Apr 01 2023

web jun 4 2012 qpsk modulation and demodulation by using simulink version 1 0 0 0 8 76 kb by metin vural this file includes qpsk modulation and demodulation simulink model 3 8 5 4 7k downloads updated 4 jun 2012 view license follow

matlab code for qpsk modulation and demodulation - Oct 07 2023

web jun 6 2018 the code of qpsk modulation and demodulation technique has been developed according to the theory the theoretical description of qpsk modulation and demodulation are available in the book of communication system by simon haykin

qpsk modulation demodulation matlab and python itchol - Apr 20 2022

web quadrature phase shift keying qpsk is a form of phase modulation technique in which two information bits combined as one symbol are modulated at once selecting one of the four possible carrier phase shift states the qpsk signal within a symbol duration is defined as where the signal phase is given by

to be removed modulate using qpsk method matlab - Sep 06 2023

web the comm qpskmodulator object modulates a signal using the quadrature phase shift keying qpsk method the output is a baseband representation of the modulated signal to modulate using the qpsk method create the comm qpskmodulator object and set its

modulate using dqpsk method matlab mathworks - Oct 27 2022

web dqpskmod comm dqpskmodulator name value sets properties using one or more name value arguments example dqpskmod comm dqpskmodulator phase name value creates a dqpsk modulator with the phaserotation property set to phase

and the other specified properties set to the specified values

zihaozhouscut modulation qpsk and oqpsk in matlab - Mar 20 2022

web modulation qpsk and oqpsk in matlab this code implements qpsk and its improved oqpsk modulation qpsk m it shows how i q signals multiply with high frequency carriers $\cos 2 \pi f_c t$ and $\sin 2 \pi f_c t$ after iq mapping binary sequences also need to go through the raised cosine roll off filter for pulse shaping

[qpsk modulation file exchange matlab central mathworks](#) - Dec 29 2022

web mar 26 2015 overview functions version history reviews 3 discussions 0 this is a qpsk modulation cite as federico larch 2023 qpsk modulation

[qpsk quadrature phase shift keying gaussianwaves](#) - May 22 2022

web oct 19 2010 quadrature phase shift keying qpsk is a form of phase modulation technique in which two information bits combined as one symbol are modulated at once selecting one of the four possible carrier phase shift states figure 1 waveform simulation model for qpsk modulation the qpsk signal within a symbol duration t_{sym} is

[modulate using qpsk method matlab mathworks benelux](#) - Jan 30 2023

web description the comm qpskmodulator object modulates a signal using the quadrature phase shift keying qpsk method the output is a baseband representation of the modulated signal to modulate using the qpsk method create the comm qpskmodulator object and set its properties call the object with arguments as if

books by mors kochanski author of bushcraft goodreads - May 24 2022

mors kochanski bushcraft and his 16 bushcraft pamphlets - Nov 29 2022

web mar 31 2023 in this picture in history we introduce mors kochanski the father of bushcrafting and an innovator in the wilderness few people have impacted the world of

[mors kochanski author of bushcraft goodreads](#) - Feb 18 2022

[bushcraft kochanski mors 0779101051227 books](#) - Dec 31 2022

web dec 1 2022 bushcraft by mors kochanski waterstones basket this item can be found in travel maps active outdoor pursuits bushcraft outdoor skills and wilderness

bushcraft outdoor skills and wilderness survival kochanski - May 04 2023

web mors kochanski bushcraft and his 16 bushcraft pamphlets of these booklets i find more than half of them are covering material not present in bushcraft this includes the

[northern bushcraft expanded edition by mors kochanski](#) - Sep 27 2022

web mors kochanski mors kochanski was widely known throughout north america and europe for his extensive work in outdoor education survival and wilderness living his

bushcraft outdoor skills and wilderness survival by - Jun 05 2023

web mors kochanski was a canadian bushcraft and wilderness survival instructor naturalist and author he acquired an international following and instructed for both military and

bushcraft outdoor skills and wilderness by mors - Jul 06 2023

web mar 15 2016 when mr kochanski penned this work it was titled northern bushcraft that was because he learned studied and practiced in canada passing in 2019 while

karamat wilderness ways bushcraft wilderness living - Jan 20 2022

bushcraft legend meet the practical profound wildwood - Aug 27 2022

web dec 5 2019 mors kochanski was a polish canadian bushcraft and wilderness survival instructor naturalist and author mors kochanski is the author of bushcraft 4

northern bushcraft expanded edition mors i - Feb 01 2023

web aug 24 2016 bushcraft legend meet the practical profound wildwood professor mors kochanski by christian noble on august 24 2016 in master woodsman the

bushcraft wikipedia - Mar 22 2022

books morskochanski - Oct 29 2022

web mors kochanski has 29 books on goodreads with 3525 ratings mors kochanski s most popular book is bushcraft outdoor skills and wilderness survival

bushcraft outdoor skills and wilderness survival - Mar 02 2023

web jan 1 1988 mors kochanski this book provides practical advice on skills required for prolonged stays in the wilderness using a minimum of materials and tools includes

bushcraft outdoor skills and wilderness survival - Sep 08 2023

web bushcraft outdoor skills and wilderness survival kochanski mors amazon com tr kitap

mors kochanski wikipedia - Oct 09 2023

web mors kochanski bushcraft outdoor skills and wilderness survival paperback 15 sept 1997 by mors kochanski author 4 7 1 124 ratings see all formats and editions

about mors kochanski karamat wilderness ways - Apr 22 2022

reaching activity 1968 a tumultuous year answers pdf free - Oct 05 2022

web reaching activity 1968 a tumultuous year answers pdf pages 2 12 reaching activity 1968 a tumultuous year answers pdf upload caliva p robertson 2 12 downloaded from bukuclone ortax org on september 3 2023 by caliva p robertson weaves these experiences including his own trials and tribulations into an ethos for scholars to

reaching activity 1968 a tumultuous year uniport edu - Apr 30 2022
web apr 21 2023 reaching activity 1968 a tumultuous year 1 12 downloaded from uniport edu ng on april 21 2023 by guest reaching activity 1968 a tumultuous year eventually you will completely discover a additional experience and talent by spending more cash still when attain you bow to that you require to acquire

download free reaching activity 1968 a tumultuous year - Dec 07 2022

web illuminates the extraordinary events of a pivotal year in america with photography eyewitness accounts and iconic art and artifacts of the times 1968 50 aug 27 2022 2018 marks the 50th anniversary of the year 1968 a year of astounding historic changes whose ripples still affect our world the year was marked by

reaching activity 1968 a tumultuous year pdf uniport edu - Dec 27 2021

web jul 9 2023 reaching activity 1968 a tumultuous year 1 10 downloaded from uniport edu ng on july 9 2023 by guest reaching activity 1968 a tumultuous year yeah reviewing a books reaching activity 1968 a tumultuous year could mount up your near associates listings this is just one of the solutions for you to be successful as

reaching activity 1968 a tumultuous year answers duyenhai - Sep 04 2022

web jun 5 2023 reaching activity 1968 a tumultuous year answers it is completely easy then currently we extend the associate to buy and duyenhai edu com 1 5 reaching activity 1968 a tumultuous year answers create bargains to acquire and deploy reaching activity 1968 a tumultuous year answers therefore simple

reaching activity 1968 a tumultuous year pdf uniport edu - Jun 13 2023

web jul 12 2023 reaching activity 1968 a tumultuous year is available in our digital library an online access to it is set as public so you can download it instantly our books collection spans in multiple countries allowing you to get the most less latency time to download any of our books like this one merely said the reaching activity 1968 a

reaching activity 1968 a tumultuous year answers - Jul 02 2022

web reaching activity 1968 a tumultuous year answers april 23rd 2018 ebook reaching activity 1968 a tumultuous year answers list of other ebook home avec mon doigt les couleurs avertissement aux iet donnu edu ua 2 4 ecoliers et lyceens reaching activity 1968 a tumultuous year answers

reaching activity 1968 a tumultuous year pdf uniport edu - May 12 2023

reaching activity 1968 a tumultuous year pdf uniport edu - May 12 2023

web reteaching activity 1968 a tumultuous year 1 11 downloaded from uniport edu ng on june 1 2023 by guest reteaching activity 1968 a tumultuous year as recognized adventure as with ease as experience very nearly lesson amusement as with ease as arrangement can be gotten by just checking out a book reteaching activity 1968 a

22 chapter guided reading 1968 a tumultuous year - Aug 15 2023

web reteaching activity 1968 a tumultuous year 4 sequencing a put the events below in the correct chronological order 1 president johnson announces he will not seek a second term 2 robert kennedy is assassinated 3 the tet offensive shocks america 4 richard nixon is elected as president 5

reteaching activity worksheets k12 workbook - Aug 03 2022

web displaying all worksheets related to reteaching activity worksheets are history chapter 10 section 1 reteaching activity imperialism and unit 6 chapter 23 reteaching activity reteaching activities answer key activity workbook chapter 26 section 1 reteaching activity origins of the vocabulary activity 18 reteaching activity 5 supply economics

reteaching activity 1968 a tumultuous year pdf uniport edu - Mar 10 2023

web jul 9 2023 reteaching activity 1968 a tumultuous year is available in our digital library an online access to it is set as public so you can get it instantly our digital library saves in multiple countries allowing you to get the most less latency time to download

reteaching activity 1968 a tumultuous year answers - Mar 30 2022

web jun 16 2023 if you attempt to obtain and configure the reteaching activity 1968 a tumultuous year answers it is entirely simple then at present we extend the associate to buy and create bargains to download and set up reteaching activity 1968 a

chapter 22 reteaching activity 1968 a tumultuous year - Jul 14 2023

web richard nixon won support during the presidential race by vowing to restore to the country the group of antiwar protesters who many believe had come to the democratic national convention to provoke violence and chaos were called the the vietnam war years 49

1968 in archaeology wikipedia - Feb 26 2022

web the year 1968 in archaeology involved some significant events explorations survey of anshan in iran excavations anne stine ingstad and helge ingstad complete excavations of viking site at l anse aux meadows prof richard j c atkinson undertakes work at silbury broadcast on bbc television continues to 1970

reteaching activity 1968 a tumultuous year answers - Jan 08 2023

web reteaching activity 1968 a tumultuous year answers 1 9 downloaded from uniport edu ng on august 29 2023 by guest reteaching activity 1968 a tumultuous year answers right here we have countless books reteaching activity 1968 a tumultuous year answers and collections to check out we additionally allow variant types and then type of the books

