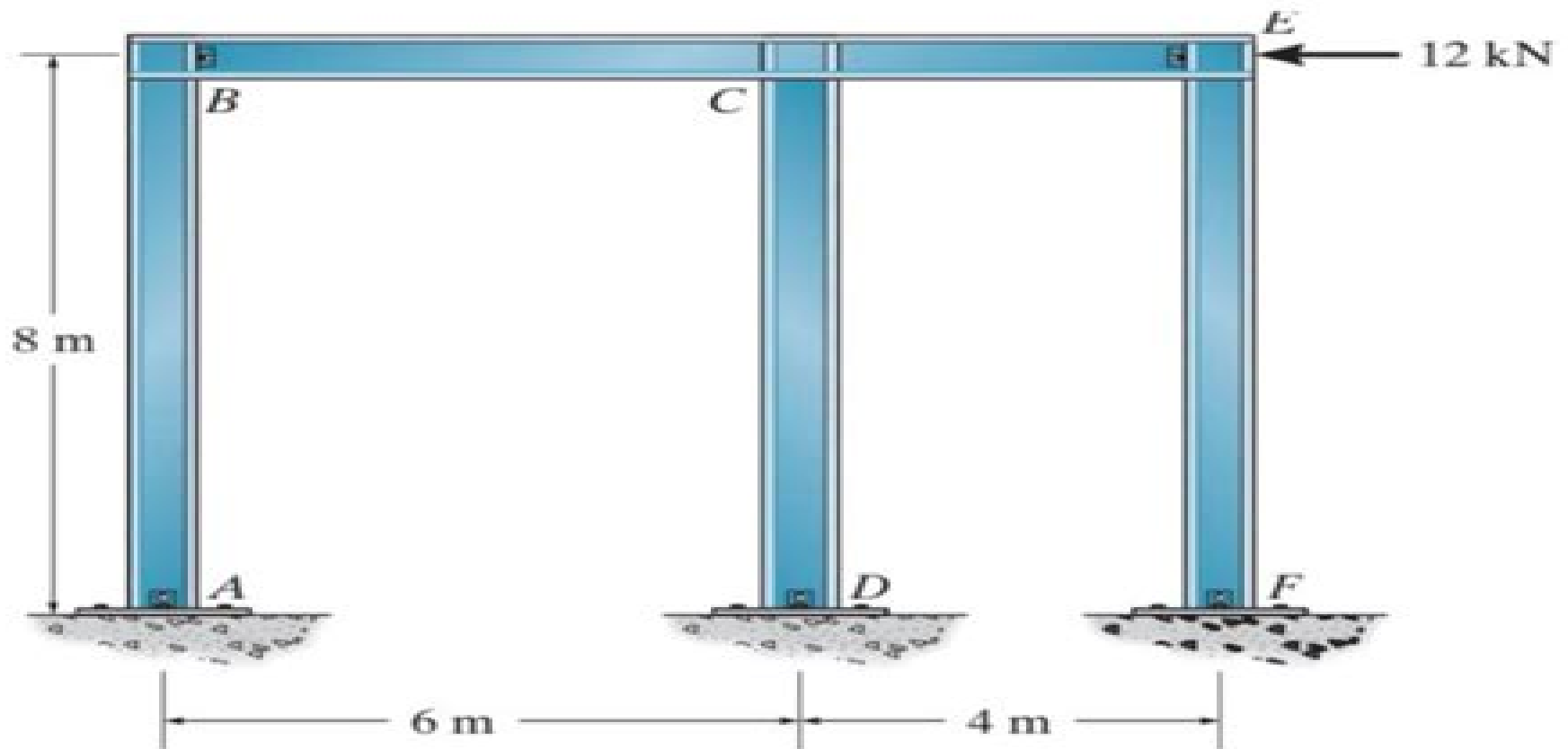


SOLVE USING MOMENT DISTRIBUTION METHOD, frames with sidesway



Prob. 11-24

Moment Distribution Method Study

Cheng-Liang Wang



Moment Distribution Method Study:

2024-25 RRB JE Civil & Allied Engineering Study Material YCT Expert Team , 2024 25 RRB JE Civil Allied Engineering Study Material 672 1395 E This book contains study material and 2302 objective question bank *Fundamental Structural Analysis* W. SPENCER,2013-11-09 Significant changes have occurred in the approach to structural analysis over the last twenty years These changes have been brought about by a more general understanding of the nature of the problem and the development of the digital computer Almost all structural engineering offices throughout the world would now have access to some form of digital computer ranging from hand held programmable calculators through to the largest machines available Powerful microcomputers are also widely available and many engineers and students have personal computers as a general aid to their work Problems in structural analysis have now been formulated in such a way that the solution is available through the use of the computer largely by what is known as matrix methods of structural analysis It is interesting to note that such methods do not put forward new theories in structural analysis rather they are a restatement of classical theory in a manner that can be directly related to the computer This book begins with the premise that most structural analysis will be done on a computer This is not to say that a fundamental understanding of structural behaviour is not presented or that only computer based techniques are given Indeed the reverse is true Understanding structural behaviour is an underlying theme and many solution techniques suitable for hand computation such as moment distribution are retained The most widely used method of computer based structural analysis is the matrix stiffness method Structural Analysis Exam Study Guide cybellium,2024-10-26 Designed for professionals students and enthusiasts alike our comprehensive books empower you to stay ahead in a rapidly evolving digital world Expert Insights Our books provide deep actionable insights that bridge the gap between theory and practical application Up to Date Content Stay current with the latest advancements trends and best practices in IT AI Cybersecurity Business Economics and Science Each guide is regularly updated to reflect the newest developments and challenges Comprehensive Coverage Whether you are a beginner or an advanced learner Cybellium books cover a wide range of topics from foundational principles to specialized knowledge tailored to your level of expertise Become part of a global network of learners and professionals who trust Cybellium to guide their educational journey www.cybellium.com *Distribution of Wheel Loads on Timber Bridges* Erwin Carl Olaf Erickson,K. M. Romstad,1968 **Advanced Study on the Moment Distribution Method and Its Application to Sidesway Problems** Cheng-Liang Wang,1963 Abstracts of Theses for Higher Degrees University of Colorado (Boulder campus),1929 Calcutta Review ,1921 *Announcement of Courses* Stanford University,1948 Research in Progress North Carolina State University. Graduate School,1929 Engineering Extension Bulletin ,1919 Steel Buildings Stanley W. Crawley,Robert M. Dillon,1993 This volume presents the general principles of structural analysis and their application to the design of low and intermediate height building frames The text is accompanied by software for the analysis of axial forces

displacement and the bending moment and the determination of shear **Engineering Experiment Station Circular** Ohio State University, Columbus. Engineering Experiment Station,1919 **Proceedings of the ... Annual Convention Held at ... American Concrete Institute. Annual Convention,American Concrete Institute,1929** *Research in Progress* University of North Carolina (1793-1962),1930 *Engineering Experiment Station Circular* Ohio State University. Engineering Experiment Station,1928 Studies in the History of Statistical Method Helen Mary Walker,1929 **Proceedings of the ... Annual Convention of the American Railway Engineering Association** American Railway Engineering Association,1930 List of members in v 1 10 Indian Science Abstracts ,1977 **Storage Batteries** Charles Allen Wright,1919 *Engineering News-record* ,1936-07

The Engaging Realm of Kindle Books: A Thorough Guide Unveiling the Pros of E-book Books: A Realm of Convenience and Versatility E-book books, with their inherent mobility and simplicity of availability, have liberated readers from the constraints of physical books. Gone are the days of lugging cumbersome novels or meticulously searching for specific titles in shops. E-book devices, sleek and portable, seamlessly store an wide library of books, allowing readers to immerse in their preferred reads anytime, anywhere. Whether commuting on a busy train, relaxing on a sun-kissed beach, or simply cozying up in bed, Kindle books provide an unparalleled level of convenience. A Reading World Unfolded: Discovering the Vast Array of Kindle Moment Distribution Method Study Moment Distribution Method Study The E-book Store, a digital treasure trove of bookish gems, boasts an wide collection of books spanning varied genres, catering to every readers taste and preference. From captivating fiction and mind-stimulating non-fiction to classic classics and contemporary bestsellers, the E-book Store offers an exceptional variety of titles to explore. Whether seeking escape through immersive tales of fantasy and adventure, delving into the depths of historical narratives, or expanding ones knowledge with insightful works of scientific and philosophical, the E-book Shop provides a gateway to a bookish world brimming with limitless possibilities. A Game-changing Factor in the Bookish Scene: The Lasting Influence of E-book Books Moment Distribution Method Study The advent of E-book books has undoubtedly reshaped the bookish landscape, introducing a model shift in the way books are published, distributed, and consumed. Traditional publishing houses have embraced the online revolution, adapting their strategies to accommodate the growing demand for e-books. This has led to a rise in the accessibility of Kindle titles, ensuring that readers have entry to a wide array of bookish works at their fingertips. Moreover, E-book books have democratized entry to books, breaking down geographical limits and offering readers worldwide with equal opportunities to engage with the written word. Regardless of their location or socioeconomic background, individuals can now engross themselves in the captivating world of literature, fostering a global community of readers. Conclusion: Embracing the Kindle Experience Moment Distribution Method Study Kindle books Moment Distribution Method Study, with their inherent ease, flexibility, and vast array of titles, have certainly transformed the way we experience literature. They offer readers the liberty to explore the boundless realm of written expression, anytime, anywhere. As we continue to travel the ever-evolving digital landscape, Kindle books stand as testament to the lasting power of storytelling, ensuring that the joy of reading remains accessible to all.

https://py.bijouxmedusa.com/About/browse/index.jsp/united_states_73_265_retirement_planning_best_practices_united_states.pdf

Table of Contents Moment Distribution Method Study

1. Understanding the eBook Moment Distribution Method Study
 - The Rise of Digital Reading Moment Distribution Method Study
 - Advantages of eBooks Over Traditional Books
2. Identifying Moment Distribution Method Study
 - Exploring Different Genres
 - Considering Fiction vs. Non-Fiction
 - Determining Your Reading Goals
3. Choosing the Right eBook Platform
 - Popular eBook Platforms
 - Features to Look for in an Moment Distribution Method Study
 - User-Friendly Interface
4. Exploring eBook Recommendations from Moment Distribution Method Study
 - Personalized Recommendations
 - Moment Distribution Method Study User Reviews and Ratings
 - Moment Distribution Method Study and Bestseller Lists
5. Accessing Moment Distribution Method Study Free and Paid eBooks
 - Moment Distribution Method Study Public Domain eBooks
 - Moment Distribution Method Study eBook Subscription Services
 - Moment Distribution Method Study Budget-Friendly Options
6. Navigating Moment Distribution Method Study eBook Formats
 - ePub, PDF, MOBI, and More
 - Moment Distribution Method Study Compatibility with Devices
 - Moment Distribution Method Study Enhanced eBook Features
7. Enhancing Your Reading Experience
 - Adjustable Fonts and Text Sizes of Moment Distribution Method Study
 - Highlighting and Note-Taking Moment Distribution Method Study
 - Interactive Elements Moment Distribution Method Study

8. Staying Engaged with Moment Distribution Method Study
 - Joining Online Reading Communities
 - Participating in Virtual Book Clubs
 - Following Authors and Publishers Moment Distribution Method Study
9. Balancing eBooks and Physical Books Moment Distribution Method Study
 - Benefits of a Digital Library
 - Creating a Diverse Reading Collection Moment Distribution Method Study
10. Overcoming Reading Challenges
 - Dealing with Digital Eye Strain
 - Minimizing Distractions
 - Managing Screen Time
11. Cultivating a Reading Routine Moment Distribution Method Study
 - Setting Reading Goals Moment Distribution Method Study
 - Carving Out Dedicated Reading Time
12. Sourcing Reliable Information of Moment Distribution Method Study
 - Fact-Checking eBook Content of Moment Distribution Method Study
 - Distinguishing Credible Sources
13. Promoting Lifelong Learning
 - Utilizing eBooks for Skill Development
 - Exploring Educational eBooks
14. Embracing eBook Trends
 - Integration of Multimedia Elements
 - Interactive and Gamified eBooks

Moment Distribution Method Study Introduction

In this digital age, the convenience of accessing information at our fingertips has become a necessity. Whether its research papers, eBooks, or user manuals, PDF files have become the preferred format for sharing and reading documents. However, the cost associated with purchasing PDF files can sometimes be a barrier for many individuals and organizations. Thankfully, there are numerous websites and platforms that allow users to download free PDF files legally. In this article, we will explore some of the best platforms to download free PDFs. One of the most popular platforms to download free PDF files is Project

Gutenberg. This online library offers over 60,000 free eBooks that are in the public domain. From classic literature to historical documents, Project Gutenberg provides a wide range of PDF files that can be downloaded and enjoyed on various devices. The website is user-friendly and allows users to search for specific titles or browse through different categories. Another reliable platform for downloading Moment Distribution Method Study free PDF files is Open Library. With its vast collection of over 1 million eBooks, Open Library has something for every reader. The website offers a seamless experience by providing options to borrow or download PDF files. Users simply need to create a free account to access this treasure trove of knowledge. Open Library also allows users to contribute by uploading and sharing their own PDF files, making it a collaborative platform for book enthusiasts. For those interested in academic resources, there are websites dedicated to providing free PDFs of research papers and scientific articles. One such website is Academia.edu, which allows researchers and scholars to share their work with a global audience. Users can download PDF files of research papers, theses, and dissertations covering a wide range of subjects. Academia.edu also provides a platform for discussions and networking within the academic community. When it comes to downloading Moment Distribution Method Study free PDF files of magazines, brochures, and catalogs, Issuu is a popular choice. This digital publishing platform hosts a vast collection of publications from around the world. Users can search for specific titles or explore various categories and genres. Issuu offers a seamless reading experience with its user-friendly interface and allows users to download PDF files for offline reading. Apart from dedicated platforms, search engines also play a crucial role in finding free PDF files. Google, for instance, has an advanced search feature that allows users to filter results by file type. By specifying the file type as "PDF," users can find websites that offer free PDF downloads on a specific topic. While downloading Moment Distribution Method Study free PDF files is convenient, it's important to note that copyright laws must be respected. Always ensure that the PDF files you download are legally available for free. Many authors and publishers voluntarily provide free PDF versions of their work, but it's essential to be cautious and verify the authenticity of the source before downloading Moment Distribution Method Study. In conclusion, the internet offers numerous platforms and websites that allow users to download free PDF files legally. Whether it's classic literature, research papers, or magazines, there is something for everyone. The platforms mentioned in this article, such as Project Gutenberg, Open Library, Academia.edu, and Issuu, provide access to a vast collection of PDF files. However, users should always be cautious and verify the legality of the source before downloading Moment Distribution Method Study any PDF files. With these platforms, the world of PDF downloads is just a click away.

FAQs About Moment Distribution Method Study Books

What is a Moment Distribution Method Study PDF? A PDF (Portable Document Format) is a file format developed by

Adobe that preserves the layout and formatting of a document, regardless of the software, hardware, or operating system used to view or print it. **How do I create a Moment Distribution Method Study PDF?** There are several ways to create a PDF: Use software like Adobe Acrobat, Microsoft Word, or Google Docs, which often have built-in PDF creation tools. Print to PDF: Many applications and operating systems have a "Print to PDF" option that allows you to save a document as a PDF file instead of printing it on paper. Online converters: There are various online tools that can convert different file types to PDF. **How do I edit a Moment Distribution Method Study PDF?** Editing a PDF can be done with software like Adobe Acrobat, which allows direct editing of text, images, and other elements within the PDF. Some free tools, like PDFescape or Smallpdf, also offer basic editing capabilities. **How do I convert a Moment Distribution Method Study PDF to another file format?** There are multiple ways to convert a PDF to another format: Use online converters like Smallpdf, Zamzar, or Adobe Acrobats export feature to convert PDFs to formats like Word, Excel, JPEG, etc. Software like Adobe Acrobat, Microsoft Word, or other PDF editors may have options to export or save PDFs in different formats. **How do I password-protect a Moment Distribution Method Study PDF?** Most PDF editing software allows you to add password protection. In Adobe Acrobat, for instance, you can go to "File" -> "Properties" -> "Security" to set a password to restrict access or editing capabilities. Are there any free alternatives to Adobe Acrobat for working with PDFs? Yes, there are many free alternatives for working with PDFs, such as: LibreOffice: Offers PDF editing features. PDFsam: Allows splitting, merging, and editing PDFs. Foxit Reader: Provides basic PDF viewing and editing capabilities. How do I compress a PDF file? You can use online tools like Smallpdf, ILovePDF, or desktop software like Adobe Acrobat to compress PDF files without significant quality loss. Compression reduces the file size, making it easier to share and download. Can I fill out forms in a PDF file? Yes, most PDF viewers/editors like Adobe Acrobat, Preview (on Mac), or various online tools allow you to fill out forms in PDF files by selecting text fields and entering information. Are there any restrictions when working with PDFs? Some PDFs might have restrictions set by their creator, such as password protection, editing restrictions, or print restrictions. Breaking these restrictions might require specific software or tools, which may or may not be legal depending on the circumstances and local laws.

Find Moment Distribution Method Study :

United States 73-265 retirement planning best practices United States examples United States 73-800 retirement planning examples for 73-1772 business automation step by step United States 73-1448 business for startups 73-77 real estate investing blueprint America 73-1986 real 73-1917 AI marketing trends United States 73-1088 AI marketing tutorial

*creators 73-323 interview tips review for small business 73-450
business 73-2147 affiliate marketing examples USA 73-641 affiliate
fitness routines apps for entrepreneurs 73-2174 fitness routines best
73-1817 passive income ideas best practices for creators 73-2465 passive
**entrepreneurs 73-1404 sustainable living blueprint for small business
USA 73-1840 healthy recipes guide USA 73-359 healthy recipes guide for
vehicles blueprint United States 73-2157 electric vehicles blueprint for
73-1419 travel tips strategies United States 73-1444 travel tips
73-2995 startup funding roadmap for startups 73-572 startup funding step
States 73-442 productivity hacks blueprint for small business 73-2748***

Moment Distribution Method Study :

form 1120 excel template fill download for free cocodoc - Nov 27 2022

web are you thinking about getting form 1120 excel template to fill cocodoc is the best place for you to go offering you a great and easy to edit version of form 1120 excel template as you want its various collection of forms can save your time and **instructions for form 1120 2022 internal revenue service** - Jan 30 2023

web form 1120 w estimated tax for corporations and the instructions for form 1120 w are now historical the 2022 form 1120 w released in 2021 and the 2022 instructions for form 1120 w released in 2021 will be the last revision of both the form and its instructions prior versions will be available on irs gov

form 1120 excel template fill out sign online dochub - Apr 01 2023

web click on new document and choose the file importing option upload form 1120 excel template from your device the cloud or a secure url make adjustments to the sample use the upper and left side panel tools to edit form 1120 excel template

microsoft forms and excel workbooks microsoft support - Feb 16 2022

web in microsoft forms you can easily view all of the response data for your form or quiz in microsoft excel an excel workbook with your response data will be downloaded to your desktop or stored in onedrive depending on the starting point of your form or quiz

pdf document created by pdffiller - Mar 20 2022

web form 1120 and reporting total assets of 10 million or more on form 1120 schedule l effective for tax years ending on or after december 31 2006 for corporations with total assets of 10 million or more schedule m 3 applies to form 1120 s for s corporations to form 1120 c for cooperative associations to

how to complete form 1120s s corporation tax return - Apr 20 2022

web dec 14 2022 you can apply for an extension up to march 15 2023 using form 7004 successfully applying for an extension pushes your filing due date to september 15 2023 but you must still pay an estimate of your tax bill by the original deadline you can file the form electronically or mail it into the irs

forms attachments listing internal revenue service - Oct 07 2023

web sep 5 2012 irs form 1120 f schedule m 3 irs1120fschedulem3 irs form 1120f schedule p irs1120fschedulep line y1 irs form 1120f schedule v irs1120fschedulev section i line 9 column b section ii line 8 schedule j line 1 line aa section ii line 2 section ii line 12 line 6 line 5f line 5h schedule j line 5b line 5g schedule j line 8

get form 1120 excel template us legal forms - Dec 29 2022

web form 1120 excel template get form 1120 excel template show details how it works open form follow the instructions easily sign the form with your finger send filled signed form or save form 1120 in excel format rating 4.8 satisfied 40 votes tips on how to fill out edit and sign reuters online

form 1120 excel template signnow - Oct 27 2022

web quick steps to complete and e sign 1120s excel spreadsheet online use get form or simply click on the template preview to open it in the editor start completing the fillable fields and carefully type in required information use the cross or check marks in the top toolbar to select your answers in the list boxes

2022 updated what is form 1120 how to fill form 1120 - Aug 25 2022

web aug 30 2023 irs form 1120 is a tax form used in the u s it s usually used in business to calculate the taxable tax then it tells you whether the estimated tax amount is larger than the actual tax amount also it can help convert the pdf file to other formats like word excel and ppt download this pdf editing software to fill out the irs tax form

2022 corporation income tax return organizer forms 1120 and 1120 s - May 02 2023

web download the 2022 corporation income tax return organizer forms 1120 and 1120 s file name 2022 corporation income tax return organizer form 1120 1120s pdf

c corporation income tax form 1120 udemy - Feb 28 2023

web what you ll learn how to enter tax data for an c corporation into form 1120 how to use tax software to input a form 1120 how to use an excel worksheet to support tax data input for a c corporation tax return form 1120 how to enter and track m 1 adjustments

get the free form 1120 excel template pdfiller - Sep 06 2023

web the form 1120 excel template is a spreadsheet format designed to help businesses prepare their annual tax return using the form 1120 this template typically includes various sections and cells for entering relevant financial information such as

income expenses deductions and credits

1120s excel spreadsheet form signnow - Jun 22 2022

web quick steps to complete and e sign irs form 1120 excel template online use get form or simply click on the template preview to open it in the editor start completing the fillable fields and carefully type in required information use the cross or check marks in the top toolbar to select your answers in the list boxes

irs form 1120 excel template budget for business - Jul 24 2022

web sep 13 2022 irs form 1120 self calculating corporate tax return using the form 1120 excel template for excel worksheets will help your business run more efficiently enter for instance the start and end of the tax year does anyone have an excel template for the federal form 1120 w estimated tax spreadsheet

excel income tax forms r excel reddit - May 22 2022

web dec 16 2021 is there a source for income tax returns specifically form 1120 in excel format

form 1120 excel template fill download for free cocodoc - Aug 05 2023

web are you considering to get form 1120 excel template to fill cocodoc is the best place for you to go offering you a user friendly and modifiable version of form 1120 excel template as you ask for its various collection of forms can

about form 1120 s u s income tax return for an s corporation - Sep 25 2022

web home about form 1120 s u s income tax return for an s corporation use form 1120 s to report the income gains losses deductions credits etc of a domestic corporation or other entity for any tax year covered by an election to be an s corporation current revision form 1120 s pdf instructions for form 1120 s print version pdf

about form 1120 u s corporation income tax return - Jul 04 2023

web information about form 1120 u s corporation income tax return including recent updates related forms and instructions on how to file use this form to report the income gains losses deductions credits and to figure the income tax liability of a corporation

2021 form 1120 internal revenue service - Jun 03 2023

web 1120 department of the treasury internal revenue service u s corporation income tax return for calendar year 2021 or tax year beginning 2021 ending 20 go to irs gov form1120 for instructions and the latest information omb no 1545 0123 2021 type or print name number street and room or suite no if a p o box see

poems containing the term female reproductive system poetry - Jan 29 2022

web looking for the poetry matching female reproductive system find all about female reproductive system on poetry com the web s largest and most comprehensive poetry resource

make a poem about the role of hormones in the female reproductive system - Mar 31 2022

web mar 23 2021 endocrine system releases hormones to the blood stream which regulate the reproductive glands responsible for reproduction both for men and women hormones facilitate changes in the reproductive system in response or in preparation to pregnancy menstrual cycle also is the effect of hormones in the female reproductive system

[spoken word poetry about female reproductive system youtube](#) - Aug 04 2022

web about press copyright contact us creators advertise developers terms privacy policy safety how youtube works test new features nfl sunday ticket press copyright

[examples of poems about reproductive system poetrysoup com](#) - Aug 16 2023

web reproductive system poems examples of all types of poems about reproductive system to share and read this list of new poems is composed of the works of modern poets of poetrysoup read short long best and

menstruation poems that will resonate with every woman social - May 13 2023

web apr 23 2020 check out these menstruation poems that every woman is sure to relate with on some level poems have been used to express feelings thoughts and emotions for ages poems have the power to educate influence and drive change and they certainly know how to connect people

[poem about reproductive system qna](#) - Feb 27 2022

web 1 poem about reproductive system 2 poem about reproductive system 3 make a poem about female reproductive system 4 poem about how to care our reproductive system respect po 5 make a poem about menstruation and the female reproductive system 6 make a poem about menstruation and the female reproductive system 7

[spoken word poetry about female reproductive system youtube](#) - May 01 2022

web iba ka kung magmahal

[poem about female reproductive system marshall grossman](#) - Jun 02 2022

web judaeorum repeatedly projects a female subject for a female reader and casts the passion in terms of gender conflict lanyer also carried this concern with gender into the very structure of the poem whereas a work of praise usually held up the superiority of its patrons the good women in lanyer s poem exemplify worth women in general

short reproductive system poems examples poetrysoup com - Jun 14 2023

web short reproductive system poems below are examples of the most popular short poems about reproductive system by poetrysoup poets search short poems about reproductive system by length and keyword menses mensal

poem for my reproductive system 1 by troubled times - Nov 07 2022

web poem for my reproductive system 1 in a dark classroom on a friday afternoon my teacher told me something beautiful ovaries she said have the same salt content as the sea you have little oceans inside of you i imagined the protozoa the

best famous female reproductive system poems - Jul 15 2023

web this is a select list of the best famous female reproductive system poetry reading writing and enjoying famous female reproductive system poetry as well as classical and contemporary poems is a great past time these top poems are the best examples of female reproductive system poems

poem for my reproductive system 2 by troubled times - Feb 10 2023

web poem for my reproductive system 2 in a life before my life i was buried in silt a dormant dream deep inside my mother s ocean by some fishing trawler i was dredged up from my sleep and drawn out of the water gasping and flopping on the shore of the doctor s cold table everyone certain i was going to drown

read female reproductive system poems online - Apr 12 2023

web read female reproductive system poems online read and enjoy some of the best female reproductive system poetry from different poets all around the world

our reproductive system poetrysoup com - Jan 09 2023

web long bearded men each needs to read a chapter from handmaidstales one in two of us are women our reproductive devices are own men of church leave our vaginas out of your remit to your dogma we won t submit we alone will choose to be a mamma and mammas among us are blessed with our babas we are in control of our own vaginas not the

a acrostic poem of the reproductive system by kaleihulu victor prezi - Oct 06 2022

web feb 11 2015 ovum is the female s egg that is the largest human cell penis is apart of the male s reproductive system conception is when a female egg gets fertilized by the male sperm reproductive system is a collection of organs that work together to

my body my choice four outspoken poets writing for reproductive - Mar 11 2023

web sep 12 2023 these poems about women s rights shed new light on reproductive choice abortion sexuality and rape culture

make a poem about menstruation and the female reproductive system - Sep 05 2022

web mar 20 2021 the substitution of the traditional relationship of a male speaker implemented in the poem by a male poet and a female addressee for a female speaker s relationship to her own body plays an important role in the poem s investment in the rejection of the fetishising gaze

female reproductive system spoken word poetry 1y am g06 - Dec 08 2022

web about press copyright contact us creators advertise developers terms privacy policy safety how youtube works test new features press copyright contact us creators

poem about female reproductive system shaul io - Dec 28 2021

web merely said the poem about female reproductive system is universally compatible with any devices to read the botanic

garden a poem a in two parts part i containing the economy of vegetation part ii the loves of the plants with philosophical notes by erasmus darwin the elder with plates erasmus darwin 2023 03 30

female reproductive system wikipedia - Jul 03 2022

web the female reproductive system is made up of the internal and external sex organs that function in the reproduction of new offspring in humans the female reproductive system is immature at birth and develops to maturity at puberty to be able to produce gametes and to carry a fetus to full term

intervención bucodental tienda digital grupo arán - May 01 2022

web medidas preventivas y asistenciales el plan de salud bucodental incluirá una revisión anual para cada niño o niña a partir de los 7 años se trata de una serie de medidas

intervención bucodental 2ª ed arán ediciones - Feb 10 2023

web verificación de la eliminación del cálculo 82 intervención bucodental las técnicas de eliminación de cálculos dentales nos permiten el mantenimiento de una salud

lea el discurso de investidura de pedro sánchez el país - Oct 26 2021

atención primaria y promoción de la salud bucodental - Jul 15 2023

web feb 7 2022 cuando se habla de intervención bucodental muchas veces se hace referencia a la higiene dental es decir procedimientos que se enfocan en la salud

intervención bucodental segunda edición revisada y actualizada - Oct 18 2023

web intervención bucodental 9 Índice videotutoriales capítulo 1 1 1 material necesario para el procedimiento de sellado de fosas y fisuras 1 2 material necesario para la colocación de diques de goma 1 3 procedimiento de colocación simultánea de dique y

libro blanco sobre prevención y tratamiento de las enfermedades - Sep 05 2022

web ministerio de sanidad y consumo plan de salud bucodental una buena salud empieza por una boca sana además recuerda tus hijos pueden disfrutar de una revisión anual

intervencion bucodental con isbn 9788490772737 - Nov 26 2021

intervención bucodental - Jul 03 2022

web intervención bucodental el módulo de intervención bucodental es clave en el desarrollo y la formación de este ciclo te permitirá adquirir los conocimientos teórico prácticos

actividades del plan de salud bucodental ministerio de sanidad - Jan 29 2022

web nov 15 2023 pedro sánchez quien aspira a renovar mañana su mandato como presidente del gobierno ha empleado prácticamente 100 minutos en pronunciar su

intervención bucodental martínez rodríguez maría - Aug 04 2022

web más el texto que ahora examinas responde a la competencia de realizar las técnicas odontológicas propias delegadas o de ayuda dentro del equipo de salud bucodental y

intervención bucodental paraninfo - Feb 27 2022

web sinopsis de intervencion bucodental este libro está dirigido a los alumnos de la rama sanitaria de la especialidad de higiene bucodental para la adquisición de

salud bucodental world health organization who - May 13 2023

web jun 16 2023 presentamos la segunda edición revisada y actualizada de intervención bucodental la gran aportación de esta nueva edición es la veintena de vídeos

intervención bucodental segunda edición revisada y actualizada - Apr 12 2023

web bucodental óptima para todos sin dejar a nadie por el camino nuestra visión es que para el año 2030 la salud bucodental sea empoderante se base en pruebas esté integrada

salud bucodental plan de acción para la promoción la prevención - Dec 08 2022

web para la salud bucodental y la salud general equipo de trabajo de la fdi para el proyecto mundial de salud periodontal david herrera jörg meyle stefan renvert y lijian jin

intervenciones educativas en salud bucodental para el - Dec 28 2021

intervención bucodental studylib es - Nov 07 2022

web feb 26 2021 intervención bucodental martínez rodríguez maría ruzo cedillo sabela ediciones paraninfo s a feb 26 2021 medical 292 pages el

proporcionar una salud bucodental óptima para todos fdi - Mar 11 2023

web 8 a que amplíen la capacidad de formar personal de salud bucodental incluidos higienistas en fermeras y auxiliares dentales velando por que esos auxiliares se

0733 intervencióN bucodental universidad católica - Aug 16 2023

web dec 2 2017 resumen objetivo evaluar a corto y medio plazo la efectividad de una intervención de promoción de la salud bucodental impulsada desde atención primaria

intervención bucodental todo lo que necesitas saber dr charani - Jun 14 2023

web la mayoría de las afecciones de salud bucodental son prevenibles en gran medida y pueden tratarse en sus etapas

iniciales la mayor parte de estas afecciones son caries

intervención bucodental higiene bucodental educamadrid - Mar 31 2022

web entre los temas se incluyeron los especialmente relevantes para los pacientes mayores como la atención de la dentadura postiza que comprendía las enfermedades bucales y

ministerio de sanidad y consumo plan de salud bucodental - Jun 02 2022

web este libro desarrolla los contenidos del módulo profesional de intervención bucodental del ciclo formativo de grado superior de higiene bucodental perteneciente a la familia

intervención bucodental 2^a ed arán ediciones - Jan 09 2023

web el resumen ejecutivo del informe de la oms sobre la situación mundial de la salud bucodental presenta una instantánea de los datos más recientes sobre las principales

intervención bucodental todo lo que necesitas saber - Sep 17 2023

web el módulo de intervención bucodental proporciona promover la salud de las personas y de la comunidad programando y desarrollando actividades preventivas y asistenciales

salud oral ops oms organización panamericana de la salud - Oct 06 2022

web 1 técnicas y conceptos básicos en intervención bucodental 2 fluoruros tópicos 3 técnicas de aplicación de fluoruros tópicos 4 sellado de fosas y fisuras 5 diagnóstico y