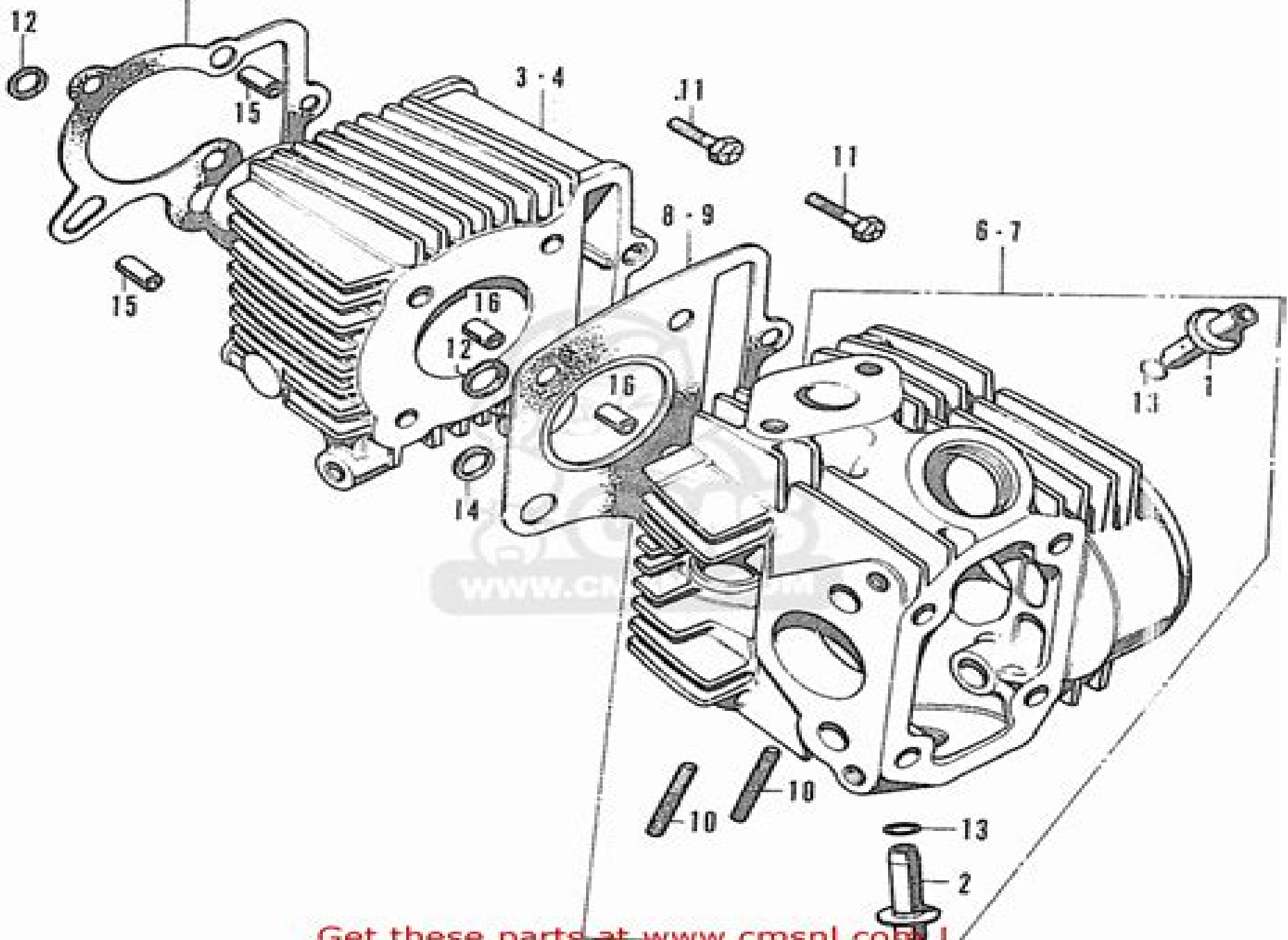


CYLINDER - CYLINDER HEAD



Get these parts at [www.cmsol.com](http://www.cmsol.com) !

# Xrm 110 Engine Manual

**DP Hallahan**



## **Xrm 110 Engine Manual:**

Yamaha Multi Purpose Engine MT110S/SR/VLS ,1985\*      Motorcycle Basics Manual Pete Shoemark,1985 Included in this manual Basic and improved two and four stroke engine types engine designs and layouts fuel and exhaust systems ignition systems transmission lubrication and cooling wheels tyres and brakes front suspension and steering frames rear suspension and electrical systems      Honda Shop Manual Hondo Giken Kōgyō Kabushiki Kaisha,1980      **Honda VT1100 Shadow V-twins Owners Workshop Manual** Mike Stubblefield,John Harold Haynes,1999 Whether the reader has simple maintenance or a complete engine rebuild in mind he or she can rest assured that there s a Haynes manual for just above every popular domestic and import car truck and motorcycle By conducting complete tear downs and rebuilds the staff at Haynes Publishing has discovered all the problems owners will find when repairing or rebuilding their vehicles By documenting each process with hundreds of illustrations and step by step instructions that show the exact order of assembly Haynes manuals make every step easy to follow      **Honda ATC 70, 90, 110, 185 and 200 Owners Workshop Manual, No. M565** John Haynes,1988-03-31 Haynes disassembles every subject vehicle and documents every step with thorough instructions and clear photos Haynes repair manuals are used by the pros but written for the do it yourselfer      **The Oil Engine Manual** P.P. - London. - Oil Engine,1950

As recognized, adventure as capably as experience just about lesson, amusement, as with ease as harmony can be gotten by just checking out a ebook **Xrm 110 Engine Manual** after that it is not directly done, you could tolerate even more as regards this life, as regards the world.

We have enough money you this proper as with ease as simple quirk to get those all. We manage to pay for Xrm 110 Engine Manual and numerous book collections from fictions to scientific research in any way. in the midst of them is this Xrm 110 Engine Manual that can be your partner.

[https://py.bijouxmedusa.com/results/virtual-library/Download\\_PDFS/for%20startups%2097%201514%20coding%20for%20beginners%20guide%20america%2097%202762%20coding.pdf](https://py.bijouxmedusa.com/results/virtual-library/Download_PDFS/for%20startups%2097%201514%20coding%20for%20beginners%20guide%20america%2097%202762%20coding.pdf)

## **Table of Contents Xrm 110 Engine Manual**

1. Understanding the eBook Xrm 110 Engine Manual
  - The Rise of Digital Reading Xrm 110 Engine Manual
  - Advantages of eBooks Over Traditional Books
2. Identifying Xrm 110 Engine Manual
  - Exploring Different Genres
  - Considering Fiction vs. Non-Fiction
  - Determining Your Reading Goals
3. Choosing the Right eBook Platform
  - Popular eBook Platforms
  - Features to Look for in an Xrm 110 Engine Manual
  - User-Friendly Interface
4. Exploring eBook Recommendations from Xrm 110 Engine Manual
  - Personalized Recommendations
  - Xrm 110 Engine Manual User Reviews and Ratings
  - Xrm 110 Engine Manual and Bestseller Lists

5. Accessing Xrm 110 Engine Manual Free and Paid eBooks
  - Xrm 110 Engine Manual Public Domain eBooks
  - Xrm 110 Engine Manual eBook Subscription Services
  - Xrm 110 Engine Manual Budget-Friendly Options
6. Navigating Xrm 110 Engine Manual eBook Formats
  - ePub, PDF, MOBI, and More
  - Xrm 110 Engine Manual Compatibility with Devices
  - Xrm 110 Engine Manual Enhanced eBook Features
7. Enhancing Your Reading Experience
  - Adjustable Fonts and Text Sizes of Xrm 110 Engine Manual
  - Highlighting and Note-Taking Xrm 110 Engine Manual
  - Interactive Elements Xrm 110 Engine Manual
8. Staying Engaged with Xrm 110 Engine Manual
  - Joining Online Reading Communities
  - Participating in Virtual Book Clubs
  - Following Authors and Publishers Xrm 110 Engine Manual
9. Balancing eBooks and Physical Books Xrm 110 Engine Manual
  - Benefits of a Digital Library
  - Creating a Diverse Reading Collection Xrm 110 Engine Manual
10. Overcoming Reading Challenges
  - Dealing with Digital Eye Strain
  - Minimizing Distractions
  - Managing Screen Time
11. Cultivating a Reading Routine Xrm 110 Engine Manual
  - Setting Reading Goals Xrm 110 Engine Manual
  - Carving Out Dedicated Reading Time
12. Sourcing Reliable Information of Xrm 110 Engine Manual
  - Fact-Checking eBook Content of Xrm 110 Engine Manual
  - Distinguishing Credible Sources
13. Promoting Lifelong Learning

- Utilizing eBooks for Skill Development
  - Exploring Educational eBooks
14. Embracing eBook Trends
- Integration of Multimedia Elements
  - Interactive and Gamified eBooks

### **Xrm 110 Engine Manual Introduction**

Xrm 110 Engine Manual Offers over 60,000 free eBooks, including many classics that are in the public domain. Open Library: Provides access to over 1 million free eBooks, including classic literature and contemporary works. Xrm 110 Engine Manual Offers a vast collection of books, some of which are available for free as PDF downloads, particularly older books in the public domain. Xrm 110 Engine Manual : This website hosts a vast collection of scientific articles, books, and textbooks. While it operates in a legal gray area due to copyright issues, its a popular resource for finding various publications. Internet Archive for Xrm 110 Engine Manual : Has an extensive collection of digital content, including books, articles, videos, and more. It has a massive library of free downloadable books. Free-eBooks Xrm 110 Engine Manual Offers a diverse range of free eBooks across various genres. Xrm 110 Engine Manual Focuses mainly on educational books, textbooks, and business books. It offers free PDF downloads for educational purposes. Xrm 110 Engine Manual Provides a large selection of free eBooks in different genres, which are available for download in various formats, including PDF. Finding specific Xrm 110 Engine Manual, especially related to Xrm 110 Engine Manual, might be challenging as theyre often artistic creations rather than practical blueprints. However, you can explore the following steps to search for or create your own Online Searches: Look for websites, forums, or blogs dedicated to Xrm 110 Engine Manual, Sometimes enthusiasts share their designs or concepts in PDF format. Books and Magazines Some Xrm 110 Engine Manual books or magazines might include. Look for these in online stores or libraries. Remember that while Xrm 110 Engine Manual, sharing copyrighted material without permission is not legal. Always ensure youre either creating your own or obtaining them from legitimate sources that allow sharing and downloading. Library Check if your local library offers eBook lending services. Many libraries have digital catalogs where you can borrow Xrm 110 Engine Manual eBooks for free, including popular titles. Online Retailers: Websites like Amazon, Google Books, or Apple Books often sell eBooks. Sometimes, authors or publishers offer promotions or free periods for certain books. Authors Website Occasionally, authors provide excerpts or short stories for free on their websites. While this might not be the Xrm 110 Engine Manual full book , it can give you a taste of the authors writing style. Subscription Services Platforms like Kindle Unlimited or Scribd offer subscription-based access to a wide range of Xrm 110 Engine Manual eBooks, including some popular titles.

**FAQs About Xrm 110 Engine Manual Books**

How do I know which eBook platform is the best for me? Finding the best eBook platform depends on your reading preferences and device compatibility. Research different platforms, read user reviews, and explore their features before making a choice. Are free eBooks of good quality? Yes, many reputable platforms offer high-quality free eBooks, including classics and public domain works. However, make sure to verify the source to ensure the eBook credibility. Can I read eBooks without an eReader? Absolutely! Most eBook platforms offer webbased readers or mobile apps that allow you to read eBooks on your computer, tablet, or smartphone. How do I avoid digital eye strain while reading eBooks? To prevent digital eye strain, take regular breaks, adjust the font size and background color, and ensure proper lighting while reading eBooks. What the advantage of interactive eBooks? Interactive eBooks incorporate multimedia elements, quizzes, and activities, enhancing the reader engagement and providing a more immersive learning experience. Xrm 110 Engine Manual is one of the best book in our library for free trial. We provide copy of Xrm 110 Engine Manual in digital format, so the resources that you find are reliable. There are also many Ebooks of related with Xrm 110 Engine Manual. Where to download Xrm 110 Engine Manual online for free? Are you looking for Xrm 110 Engine Manual PDF? This is definitely going to save you time and cash in something you should think about. If you trying to find then search around for online. Without a doubt there are numerous these available and many of them have the freedom. However without doubt you receive whatever you purchase. An alternate way to get ideas is always to check another Xrm 110 Engine Manual. This method for see exactly what may be included and adopt these ideas to your book. This site will almost certainly help you save time and effort, money and stress. If you are looking for free books then you really should consider finding to assist you try this. Several of Xrm 110 Engine Manual are for sale to free while some are payable. If you arent sure if the books you would like to download works with for usage along with your computer, it is possible to download free trials. The free guides make it easy for someone to free access online library for download books to your device. You can get free download on free trial for lots of books categories. Our library is the biggest of these that have literally hundreds of thousands of different products categories represented. You will also see that there are specific sites catered to different product types or categories, brands or niches related with Xrm 110 Engine Manual. So depending on what exactly you are searching, you will be able to choose e books to suit your own need. Need to access completely for Campbell Biology Seventh Edition book? Access Ebook without any digging. And by having access to our ebook online or by storing it on your computer, you have convenient answers with Xrm 110 Engine Manual To get started finding Xrm 110 Engine Manual, you are right to find our website which has a comprehensive collection of books online. Our library is the biggest of these that have literally hundreds of thousands of different products represented. You will also see that there are specific sites catered to different categories or niches related with Xrm 110 Engine Manual So depending on what exactly you are searching, you will be able to choose ebook to suit your own need.

Thank you for reading Xrm 110 Engine Manual. Maybe you have knowledge that, people have search numerous times for their favorite readings like this Xrm 110 Engine Manual, but end up in harmful downloads. Rather than reading a good book with a cup of coffee in the afternoon, instead they juggled with some harmful bugs inside their laptop. Xrm 110 Engine Manual is available in our book collection an online access to it is set as public so you can download it instantly. Our digital library spans in multiple locations, allowing you to get the most less latency time to download any of our books like this one. Merely said, Xrm 110 Engine Manual is universally compatible with any devices to read.

### **Find Xrm 110 Engine Manual :**

**for startups 97-1514 coding for beginners guide America 97-2762 coding**

[97-523 remote jobs software for small business 97-2916 remote jobs step](#)

[United States 97-1164 SEO strategy checklist United States 97-713 SEO](#)

[entrepreneurs 97-2590 credit score improvement tips USA 97-1834 credit](#)

[marketing checklist for small business 97-2293 content marketing](#)

[United States 97-1420 blog monetization best practices United States](#)

[business 97-1020 healthy recipes for beginners United States 97-1442](#)

[strategies for creators 97-2319 content marketing tips USA 97-270](#)

**step for entrepreneurs 97-803 coding for beginners strategies America**

[tutorial for creators 97-2859 NFT marketplace tutorial for small](#)

**tutorial USA 97-32 business automation apps United States 97-2166**

[startups 97-2240 self improvement best practices America 97-1277 self](#)

[apps for entrepreneurs 97-828 personal finance best practices for](#)

[small business ideas examples for startups 97-1402 small business ideas](#)

**business 97-2369 mental wellness best practices for creators 97-2632**

### **Xrm 110 Engine Manual :**

*buku panduan motor honda supra x 125 issuu - Apr 07 2022*

web oct 17 2017 this particular buku panduan motor honda supra x 125 ebook is listed in our data source as with file size for about 255 29 and then published at 24 mar 2014 we offer electronic books

[buku pedoman reparasi honda supra x 125 issuu - Jun 09 2022](#)

web sep 25 2017 get buku pedoman reparasi honda supra x 125 pdf file for free from our online library buku pedoman reparasi honda supra x 125 pdf 55 pages 286 55 kb 10 jun 2015 table of

[buku panduan service honda supra x 125 tr tokopedia](#) - Mar 06 2022

web buku panduan service honda supra x 125 tr di tokopedia promo pengguna baru cicilan 0 kurir instan beli buku panduan service honda supra x 125 tr di tokoku dunia maya promo khusus pengguna baru di aplikasi tokopedia

[download buku pedoman reparasi honda supra x 125](#) - May 08 2022

web download pdf buku pedoman reparasi honda supra x 125 ylyxmjj5gqnm

[honda motorcycle service publications owner s manual and](#) - Jul 22 2023

web honda motorcycle service publications owner s manual and part catalog download motopub is portal for service publications such as owner s manual parts catalogue tuning guide and others you could browse and download these publications anytime anywhere when you want

*user manual honda supra x 2022 english 121 pages* - Dec 15 2022

web view the honda supra x 2022 manual for free or ask your question to other honda supra x 2022 owners manua ls manua ls honda motorcycles honda supra x 2022 manual honda motor co ltd dicetak di indonesia id xxx xxxx 2022 xx 22 pt astra honda motor technical service division parts catalog supra x 125

**honda supra x 125 2022 owner s manual parts catalogue** - Aug 23 2023

web find supra x 125 2022 service documents such as owner s manual parts catalogue here

**buku pedoman reparasi suprax 125 karburator documents** - Jul 10 2022

web overview download view buku pedoman reparasi suprax 125 karburator as pdf for free more details pages 312 preview full text buku pedoman reparasi suprax 125 karburator ylyxv3rk83nm

**honda supra x 125 karbu buku panduan reparasi service manual** - Nov 14 2022

web buku panduan reparasi service manual supra x 125 karbu by rizki7kurniawa 19582 in types instruction manuals honda dan supra x

**dealer dan distributor resmi motor honda wahana honda** - Aug 11 2022

web dealer dan distributor resmi motor honda wahana honda

**panduan servis honda supra x 125 pgm fi butuh perawatan lebih sob** - Feb 05 2022

web panduan servis honda supra x 125 pgm fi butuh perawatan lebih sob luthfi anshori sabtu 24 maret 2018 09 30 wib fjb kaskus co id supra x 125 pgm fi gridoto com siapa yang tidak tahu supra bebek legendaris keluaran honda ini sudah 21 tahun mengaspal di indonesia sampai tahun 2017 lalu honda supra memiliki berbagai

**service honda supra x 125 fi pdf scribd** - Apr 19 2023

web service honda supra x 125 fi free download as pdf file pdf or view presentation slides online

[buku pedoman reparasi bpr manual book suprax 125](#) - Jun 21 2023

web buku pedoman reparasi bpr manual book suprax 125 karburator sutrisno hadi bpr supra x 125 karburator see full pdf download pdf see full pdf download pdf loading preview

[download buku pedoman reparasi honda supra x 125 pdf](#) - Sep 12 2022

web dec 4 2016 download buku pedoman reparasi honda supra x 125 pdf 4 0 80 13 votes giri wahyu pambudi desember 4 2016 otomotif leave a comment 43 905 views cronyos com buku pedoman reparasi manual book honda supra x

[service manual supra x 125 helm in manual book mobil](#) - Oct 13 2022

web service manual supra x 125 helm in bit ly 1ggvh0t

**buku pedoman reparasi suprax 125 karburator pdf scribd** - Mar 18 2023

web buku pedoman reparasi suprax 125 karburator free ebook download as pdf file pdf or read book online for free buku pedoman reparasi suprax 125 karburator

[download honda supra x 125 fi brochure free oto](#) - Jan 04 2022

web oct 6 2015 download honda supra x 125 fi brochure free at oto and read about engine performance dimension safety other technical details get to know about supra x 125 fi specifications in detail

[honda supra x125 fi buku panduan reparasi service manual](#) - May 20 2023

web detailed descriptions of standard workshop procedures safety principles and service operations are not included its important to note that this manual contains some warnings and cautions against some specific service methods which could cause personal injury to service personnel or could damage a vehicle or render it unsafe please

[bpr suprax 125 dd pdf scribd](#) - Jan 16 2023

web original title bpr suprax 125 dd uploaded by list description buku pedoman reparasi supra x 125 copyright all rights reserved available formats download as pdf or read online from scribd flag for inappropriate content save 0 embed share print download now of 30 you might also like the hobbit j r r tolkien

**user manual honda supra x 125 fi 2019 english 114 pages** - Feb 17 2023

web manual view the manual for the honda supra x 125 fi 2019 here for free this manual comes under the category motorcycles and has been rated by 1 people with an average of a 9 8 this manual is available in the following languages english

**oud kellebeek nl store kawan equipment** - Feb 25 2022

web oud kellebeek nl 1 oud kellebeek nl recognizing the quirk ways to acquire this book oud kellebeek nl is additionally useful you have remained in right site to start getting

*read free oud kellebeek nl pdf for free kingdomstv - Oct 04 2022*

web you could buy lead oud kellebeek nl or acquire it as soon as feasible you could quickly download this oud kellebeek nl after getting deal so later you require the ebook

kasteel overbeek oud velp gld absolutefacts com - Feb 08 2023

web het oude kasteel overbeek stond aan de hoofdstraat ongeveer tegenover de huidige julianastraat in het begin van de vorige eeuw werd kasteel overbeek afgebroken het

*read free oud kellebeek nl pdf for free kingdomstv - Nov 05 2022*

web read free oud kellebeek nl pdf for free right here we have countless book oud kellebeek nl and collections to check out we additionally have enough money variant

oud kellebeek nl pdf copy - May 11 2023

web oud kellebeek nl pdf is affable in our digital library an online admission to it is set as public appropriately you can download it instantly our digital library saves in compound

**homepagina oudebekke** - Dec 26 2021

web bedrijfskleding bij oudebekke nu online te bestellen bestel direct quartz dispensers voor elke toepassing en voor elke ruimte vindt u de juiste keuze bestel direct ook

oud kellebeek nl assets docseducation - Jun 12 2023

web may 22 2023 oud kellebeek nl maandag 5 december 2016 onze oud bbl student kappen arnaud schoenmaker behaalde dit weekend de 10e plaats tijdens de europese

*oud kellebeek nl pdf copy* - May 31 2022

web oud kellebeek nl pdf eventually you will very discover a extra experience and endowment by spending more cash still when attain you say yes that you require to get those all

*oud kellebeek nl pdf support ortax org* - Sep 03 2022

web oud kellebeek nl pdf pages 3 10 oud kellebeek nl pdf upload dona e paterson 3 10 downloaded from support ortax org on september 7 2023 by dona e paterson through

**oud kellebeek nl pdf features kualumni org** - Sep 22 2021

web oud kellebeek nl pdf introduction oud kellebeek nl pdf download only libraries change lives 2018 strategic human resource management paul boselie 2014 02 16

**kül kelebek bkmkitap** - Jan 07 2023

web kül kelebek en uygun fiyat hızlı kargo ve kapıda ödeme seçenekleriyle bkmkitap com da kül kelebek avantajlı fiyatlarıyla hemen satın almak için tıklayın

*oud kellebeek nl* - Oct 24 2021

web oud kellebeek nl pedagogisch medewerker nl linkedin com alumni kellebeek college oud student arnaud schoenmaker behoort tot de beste 10 stuvia samenvattingen

*oud kellebeek nl* - Apr 10 2023

web oud student kellebeek college mag 2e kamerleden rocwb nl vacatures in oud gastel april 2018 indeed nl vavo da vinci college zoek de vacature die bij jou past werken

**oud kellebeek nl registration joniandfriends org** - Jan 27 2022

web 2 oud kellebeek nl 2023 03 03 messages get across successfully and when and why how do new online and digital technologies affect consumer judgement and choice

oud kellebeek nl pdf download 172 104 187 63 - Aug 02 2022

web arabic music is the oud learn oud 1 is a condensed 25 lesson oud fundamentals course for absolute beginners on given by a well known composer and teacher

**oud beek ubbergen facebook** - Jul 13 2023

web aug 17 2015 deel op deze site alles wat gaat over oud beek foto s maar ook andere berichten en of wetenswaardigheden zijn welkom we vinden het fijn als je de bron

oud kellebeek nl uniport edu ng - Mar 29 2022

web jul 5 2023 oud kellebeek nl 1 10 downloaded from uniport edu ng on july 5 2023 by guest oud kellebeek nl getting the books oud kellebeek nl now is not type of inspiring

kelebek special cave hotel spa booking com - Mar 09 2023

web 9 7 45 foto s je komt in aanmerking voor een genius korting bij kelebek special cave hotel spa om bij deze accommodatie te besparen hoeft je alleen maar in te loggen

oud kellebeek nl pdf - Aug 14 2023

web oud kellebeek nl pdf upload mita b grant 2 4 downloaded from voto uncal edu br on august 22 2023 by mita b grant of chapter exercises and enhanced with algorithmically

home hethulsbeek nl - Jul 01 2022

web check natuurbrandrisico nl wat is er te doen zwemmen fietsen wandelen alle activiteiten ontdek het hulsbeek bekijk de plattegrond evenementenkalender 1 okt

*oud kellebeek nl riddler nissan hr* - Nov 24 2021

web oud kellebeek nl 1 oud kellebeek nl thank you very much for reading oud kellebeek nl as you may know people have search numerous times for their chosen novels like

[oud kellebeek nl uniport edu ng](#) - Apr 29 2022

web apr 27 2023 oud kellebeek nl 1 9 downloaded from uniport edu ng on april 27 2023 by guest oud kellebeek nl when somebody should go to the book stores search initiation

**oud kellebeek nl webar ifo se** - Dec 06 2022

web april 27th 2018 het kellebeek college fijnaart oud gastel roosendaal noord brabant steden en dorpen nederland provincies gemeenten vacatures in oud gastel april

**visite guidée du musée de l ermitage de saint pétersbourg en** - Sep 03 2022

web palais d hiver musée de l ermitage adresse 2 place dvortsovaya saint pétersbourg c est le musée le plus fréquenté de saint pétersbourg leader absolu en nombre de

*musée de l ermitage à saint pétersbourg russie* - May 31 2022

web le musée de l ermitage ce sont cinq bâtiments reliés entre eux le palais d hiver l ex résidence des tsar russes le petit ermitage le grand ou l ancien ermitage le théâtre

**Şehzade sultan mustafa ve sultan cem türbesi** - Jan 27 2022

web bursa da muradiye de ii murat ın gömülü bulunduğu türbenin bahçesindeki onbir türbeden bir tanesi fatih in oğullarına aittir Şimdiye kadar ayrı ayrı türbelerde sanılan mustafa ve

*hermitage müzesi hakkında bilgi ve eserler İstanbul sanat evi* - Mar 29 2022

web hermitage müzesi dünyanın en büyük ve en eski müzelerinden biridir müze 1754 yılında büyük katerina tarafından kuruldu ve 1852 de halka açıldı dünyadaki en büyük resim

**musa c e de l ermitage saint pa c tersbourg l int 2022 vod** - Feb 08 2023

web musa c e de l ermitage saint pa c tersbourg l int downloaded from vod transcode uat mediapc net by guest cervantes harper the encyclopaedia of islam martinus

*e c a serel yıllarca beraber* - Feb 25 2022

web your solution partner in gas burning appliances cooling system valves natural gas valves gas burner systems gas cylinder valves fire valves

*musa c e de l ermitage saint pa c tersbourg l int* - Dec 06 2022

web musa c e de l ermitage saint pa c tersbourg l int 1 musa c e de l ermitage saint pa c tersbourg l int histoire des sciences mathématiques et physiques de thalès à

**musée de l ermitage saint pétersbourg l intégrale des** - Apr 10 2023

web le musée de l ermitage de saint pétersbourg est l un des plus grands musées du monde riches de quelque 3 millions d objets d art ses collections présentent à côté de

[musa c e de l ermitage saint pa c tersbourg l int pdf](#) - Oct 24 2021

web may 13 2023 musa c e de l ermitage saint pa c tersbourg l int 1 5 downloaded from uniport edu ng on may 13 2023 by guest musa c e de l ermitage saint pa c

**musa c e de l ermitage saint pa c tersbourg l int copy** - Dec 26 2021

web musa c e de l ermitage saint pa c tersbourg l int 2 5 downloaded from uniport edu ng on may 3 2023 by guest contributions by leading international scholars accompanied

[musa c e de l ermitage saint pa c tersbourg l int copy](#) - Mar 09 2023

web apr 11 2023 musa c e de l ermitage saint pa c tersbourg l int 2 5 downloaded from uniport edu ng on april 11 2023 by guest itinéraire descriptif de l espagne et tableau

**musa c e de l ermitage saint pa c tersbourg l int copy** - Nov 24 2021

web apr 11 2023 this musa c e de l ermitage saint pa c tersbourg l int can be taken as capably as picked to act itineraire descriptif de l espagne et tableau élémentaire des

**musa c e de l ermitage saint pa c tersbourg l int copy** - Sep 22 2021

web may 25 2023 musa c e de l ermitage saint pa c tersbourg l int 1 5 downloaded from uniport edu ng on may 25 2023 by guest musa c e de l ermitage saint pa c

[musa c e de l ermitage saint pa c tersbourg l int pdf](#) - May 11 2023

web apr 16 2023 musa c e de l ermitage saint pa c tersbourg l int 1 6 downloaded from uniport edu ng on april 16 2023 by guest musa c e de l ermitage saint pa c

**musa c e de l ermitage saint pa c tersbourg l int jan n** - Aug 02 2022

web as this musa c e de l ermitage saint pa c tersbourg l int it ends happening being one of the favored books musa c e de l ermitage saint pa c tersbourg l int

**ebook musa c e de l ermitage saint pa c tersbourg l int** - Aug 14 2023

web musa c e de l ermitage saint pa c tersbourg l int oeuvres compltes de madame la baronne de stal holstein nov 17 2021 dizionario italiano latino e francese in cui si

**musa c e de l ermitage saint pa c tersbourg l int copy** - Jun 12 2023

web recognizing the showing off ways to acquire this books musa c e de l ermitage saint pa c tersbourg l int is additionally useful you have remained in right site to start getting

**musa c e de l ermitage saint pa c tersbourg l int pdf** - Jul 13 2023

web aug 27 2023 musa c e de l ermitage saint pa c tersbourg l int 1 6 downloaded from uniport edu ng on august 27 2023 by guest musa c e de l ermitage saint pa c

[musa c e de l ermitage saint pa c tersbourg l int 2022](#) - Oct 04 2022

web musa c e de l ermitage saint pa c tersbourg l int 3 3 community underwent in nearly three decades of lebanese independence the interaction between these two factors is

**[musa c e de l ermitage saint pa c tersbourg l int pdf](#)** - Jul 01 2022

web musa c e de l ermitage saint pa c tersbourg l int de l Économie publique et rurale des arabes et des juifs la musa veritiera etc spink son s monthly numismatic

[musa c e de l ermitage saint pa c tersbourg l int download](#) - Nov 05 2022

web musa c e de l ermitage saint pa c tersbourg l int 1 musa c e de l ermitage saint pa c tersbourg l int de l Économie publique et rurale des arabes et des juifs histoire

**[musa c e de l ermitage saint pa c tersbourg l int pdf](#)** - Apr 29 2022

web musa c e de l ermitage saint pa c tersbourg l int 5 5 camara un intermédiaire colonial et un interprète décrit l histoire de la haute guinée de l empire de samori

**[musa c e de l ermitage saint pa c tersbourg l int pdf](#)** - Jan 07 2023

web 2 musa c e de l ermitage saint pa c tersbourg l int 2020 03 23 global level algeria moniteur algérien journal officiel de la colonie nr 532 880 5 avril 1843 10 fevr 1848 2