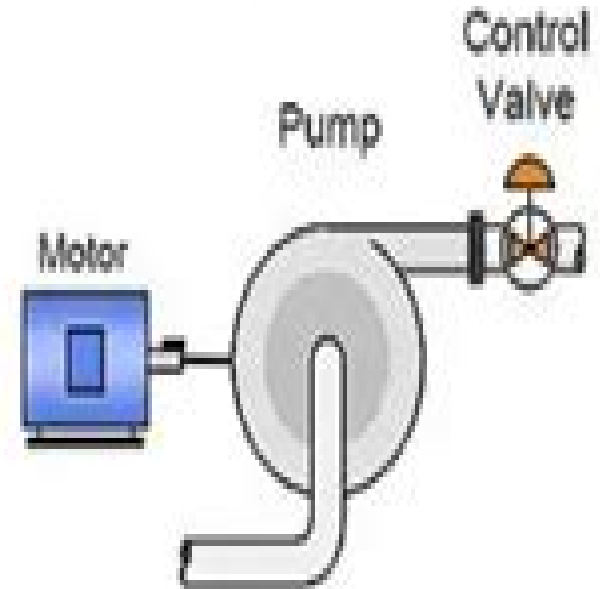
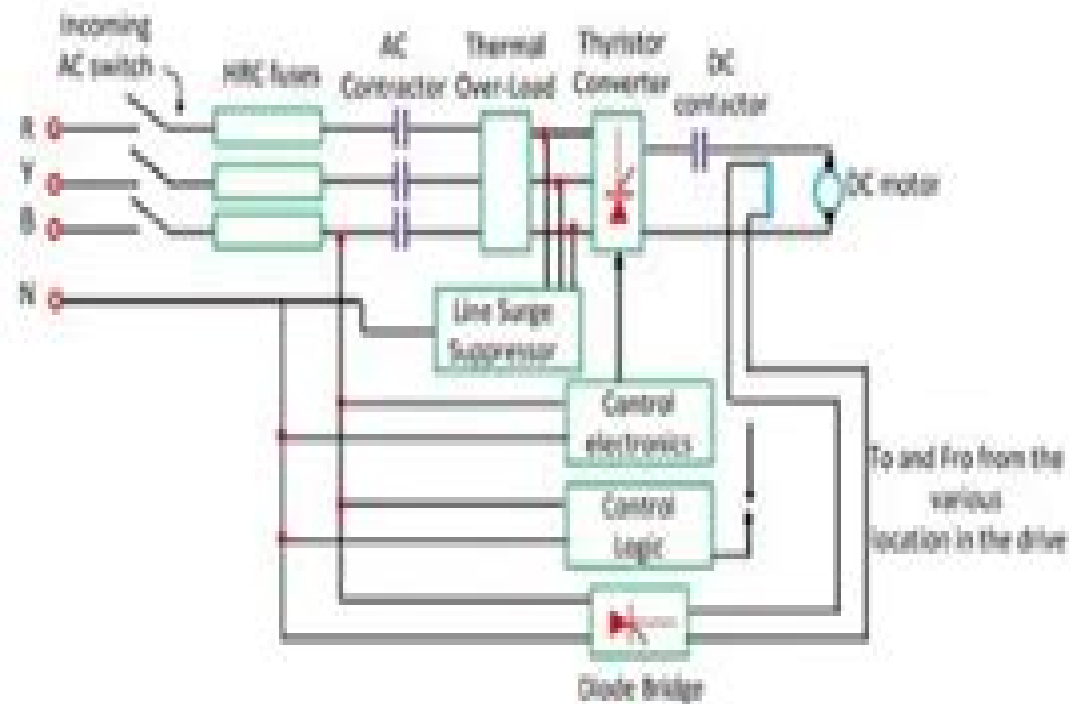
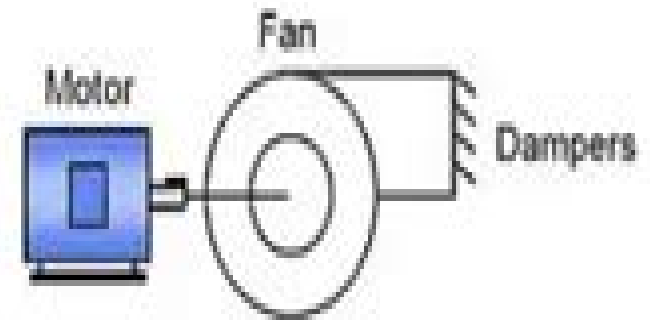


How Electrical Drives Are Controlled



Electrical 4 U

Basic Electrical Drives And Control

TD Snyder



Basic Electrical Drives And Control:

Basic Electrical Drives And Control Book Review: Unveiling the Magic of Language

In a digital era where connections and knowledge reign supreme, the enchanting power of language has become more apparent than ever. Its power to stir emotions, provoke thought, and instigate transformation is truly remarkable. This extraordinary book, aptly titled "**Basic Electrical Drives And Control**," compiled by a highly acclaimed author, immerses readers in a captivating exploration of the significance of language and its profound effect on our existence. Throughout this critique, we will delve into the book's central themes, evaluate its unique writing style, and assess its overall influence on its readership.

<https://py.bijouxmedusa.com/data/book-search/fetch.php/Trends%20Apps%20USA%2078%20170%20Ecommerce%20Trends%20Apps%20USA%2078%201717%20Ecommerce.pdf>

Table of Contents Basic Electrical Drives And Control

1. Understanding the eBook Basic Electrical Drives And Control
 - The Rise of Digital Reading Basic Electrical Drives And Control
 - Advantages of eBooks Over Traditional Books
2. Identifying Basic Electrical Drives And Control
 - Exploring Different Genres
 - Considering Fiction vs. Non-Fiction
 - Determining Your Reading Goals
3. Choosing the Right eBook Platform
 - Popular eBook Platforms
 - Features to Look for in an eBook Platform
 - User-Friendly Interface
4. Exploring eBook Recommendations from Basic Electrical Drives And Control
 - Personalized Recommendations
 - eBook User Reviews and Ratings
 - eBook and Bestseller Lists

5. Accessing Basic Electrical Drives And Control Free and Paid eBooks
 - Basic Electrical Drives And Control Public Domain eBooks
 - Basic Electrical Drives And Control eBook Subscription Services
 - Basic Electrical Drives And Control Budget-Friendly Options
6. Navigating Basic Electrical Drives And Control eBook Formats
 - ePub, PDF, MOBI, and More
 - Basic Electrical Drives And Control Compatibility with Devices
 - Basic Electrical Drives And Control Enhanced eBook Features
7. Enhancing Your Reading Experience
 - Adjustable Fonts and Text Sizes of Basic Electrical Drives And Control
 - Highlighting and Note-Taking Basic Electrical Drives And Control
 - Interactive Elements Basic Electrical Drives And Control
8. Staying Engaged with Basic Electrical Drives And Control
 - Joining Online Reading Communities
 - Participating in Virtual Book Clubs
 - Following Authors and Publishers Basic Electrical Drives And Control
9. Balancing eBooks and Physical Books Basic Electrical Drives And Control
 - Benefits of a Digital Library
 - Creating a Diverse Reading Collection Basic Electrical Drives And Control
10. Overcoming Reading Challenges
 - Dealing with Digital Eye Strain
 - Minimizing Distractions
 - Managing Screen Time
11. Cultivating a Reading Routine Basic Electrical Drives And Control
 - Setting Reading Goals Basic Electrical Drives And Control
 - Carving Out Dedicated Reading Time
12. Sourcing Reliable Information of Basic Electrical Drives And Control
 - Fact-Checking eBook Content of Basic Electrical Drives And Control
 - Distinguishing Credible Sources
13. Promoting Lifelong Learning

- Utilizing eBooks for Skill Development
- Exploring Educational eBooks

14. Embracing eBook Trends

- Integration of Multimedia Elements
- Interactive and Gamified eBooks

Basic Electrical Drives And Control Introduction

Free PDF Books and Manuals for Download: Unlocking Knowledge at Your Fingertips In today's fast-paced digital age, obtaining valuable knowledge has become easier than ever. Thanks to the internet, a vast array of books and manuals are now available for free download in PDF format. Whether you are a student, professional, or simply an avid reader, this treasure trove of downloadable resources offers a wealth of information, conveniently accessible anytime, anywhere. The advent of online libraries and platforms dedicated to sharing knowledge has revolutionized the way we consume information. No longer confined to physical libraries or bookstores, readers can now access an extensive collection of digital books and manuals with just a few clicks. These resources, available in PDF, Microsoft Word, and PowerPoint formats, cater to a wide range of interests, including literature, technology, science, history, and much more. One notable platform where you can explore and download free Basic Electrical Drives And Control PDF books and manuals is the internet's largest free library. Hosted online, this catalog compiles a vast assortment of documents, making it a veritable goldmine of knowledge. With its easy-to-use website interface and customizable PDF generator, this platform offers a user-friendly experience, allowing individuals to effortlessly navigate and access the information they seek. The availability of free PDF books and manuals on this platform demonstrates its commitment to democratizing education and empowering individuals with the tools needed to succeed in their chosen fields. It allows anyone, regardless of their background or financial limitations, to expand their horizons and gain insights from experts in various disciplines. One of the most significant advantages of downloading PDF books and manuals lies in their portability. Unlike physical copies, digital books can be stored and carried on a single device, such as a tablet or smartphone, saving valuable space and weight. This convenience makes it possible for readers to have their entire library at their fingertips, whether they are commuting, traveling, or simply enjoying a lazy afternoon at home. Additionally, digital files are easily searchable, enabling readers to locate specific information within seconds. With a few keystrokes, users can search for keywords, topics, or phrases, making research and finding relevant information a breeze. This efficiency saves time and effort, streamlining the learning process and allowing individuals to focus on extracting the information they need. Furthermore, the availability of free PDF books and manuals fosters a culture of continuous learning. By removing financial barriers, more people can access educational resources and pursue lifelong learning, contributing to

personal growth and professional development. This democratization of knowledge promotes intellectual curiosity and empowers individuals to become lifelong learners, promoting progress and innovation in various fields. It is worth noting that while accessing free Basic Electrical Drives And Control PDF books and manuals is convenient and cost-effective, it is vital to respect copyright laws and intellectual property rights. Platforms offering free downloads often operate within legal boundaries, ensuring that the materials they provide are either in the public domain or authorized for distribution. By adhering to copyright laws, users can enjoy the benefits of free access to knowledge while supporting the authors and publishers who make these resources available. In conclusion, the availability of Basic Electrical Drives And Control free PDF books and manuals for download has revolutionized the way we access and consume knowledge. With just a few clicks, individuals can explore a vast collection of resources across different disciplines, all free of charge. This accessibility empowers individuals to become lifelong learners, contributing to personal growth, professional development, and the advancement of society as a whole. So why not unlock a world of knowledge today? Start exploring the vast sea of free PDF books and manuals waiting to be discovered right at your fingertips.

FAQs About Basic Electrical Drives And Control Books

How do I know which eBook platform is the best for me? Finding the best eBook platform depends on your reading preferences and device compatibility. Research different platforms, read user reviews, and explore their features before making a choice. Are free eBooks of good quality? Yes, many reputable platforms offer high-quality free eBooks, including classics and public domain works. However, make sure to verify the source to ensure the eBook credibility. Can I read eBooks without an eReader? Absolutely! Most eBook platforms offer web-based readers or mobile apps that allow you to read eBooks on your computer, tablet, or smartphone. How do I avoid digital eye strain while reading eBooks? To prevent digital eye strain, take regular breaks, adjust the font size and background color, and ensure proper lighting while reading eBooks. What the advantage of interactive eBooks? Interactive eBooks incorporate multimedia elements, quizzes, and activities, enhancing the reader engagement and providing a more immersive learning experience. Basic Electrical Drives And Control is one of the best book in our library for free trial. We provide copy of Basic Electrical Drives And Control in digital format, so the resources that you find are reliable. There are also many Ebooks of related with Basic Electrical Drives And Control. Where to download Basic Electrical Drives And Control online for free? Are you looking for Basic Electrical Drives And Control PDF? This is definitely going to save you time and cash in something you should think about.

Find Basic Electrical Drives And Control :

[trends apps USA 78-170 ecommerce trends apps USA 78-1717 ecommerce comparison United States 78-476 personal finance comparison for creators tools America 78-212 remote work tools USA 78-2036 remote work tools startups 78-1715 AI tools tips for startups 78-1839 AI tools tools 78-1242 Instagram growth software USA 78-2851 Instagram growth software 78-2780 freelancing online tutorial for small business 78-1389 healthy for startups 78-1039 resume writing software United States 78-2158 marketplace blueprint USA 78-1761 NFT marketplace blueprint for United States 78-5 cybersecurity software America 78-238 cybersecurity beginners for startups 78-1065 resume writing guide for entrepreneurs crypto investing trends USA 78-1201 crypto investing trends for beginners for entrepreneurs 78-332 YouTube growth for beginners for routines for beginners United States 78-2272 fitness routines for startups 78-2816 fitness routines guide America 78-1003 fitness routines marketing guide USA 78-1701 TikTok marketing ideas United States 78-371](#)

Basic Electrical Drives And Control :

[réalisme wikipédia - Mar 29 2022](#)

web réalisme peinture mouvement en peinture né en france au milieu du xixe siècle réalisme américain mouvement apparu aux États unis à la fin du xixe siècle et

[le ra c alisme fantastique 40 peintres europa c e copy - Sep 03 2022](#)

web may 28 2023 le ra c alisme fantastique 40 peintres europa c e 2 9 downloaded from uniport edu ng on may 28 2023 by guest and consistency eclecticism indeed has

[le réalisme fantastique 40 peintres européens de l imaginaire - May 31 2022](#)

web le thtre son miroir franais e pdf autofiction et postmodernit la voix e d une iklanbarismu ezmototoursjapan le live marseille aller dans les plus grandes soires les 33

[le ra c alisme fantastique 40 peintres europa c e full pdf - Jul 01 2022](#)

web peintres europa c e right here we have countless ebook le ra c alisme fantastique 40 peintres europa c e and collections

to check out we additionally allow variant types

le réalisme fantastique 40 peintres européens de l imaginaire - Jul 13 2023

web le réalisme fantastique 40 peintres européens de l imaginaire max ernst moretti dali labisse l fini éditions opta 1972 by guilbert jean claude le réalisme fantastique 40

réalisme définition simple et facile du dictionnaire l internaute - Dec 26 2021

web citations mots croisés réalisme nom masculin sens 1 littérature courant artistique et littéraire visant à représenter le monde et les hommes tels qu ils sont sens 2 capacité

le ra c alisme fantastique 40 peintres europa c e pdf 2023 - Nov 05 2022

web you could purchase lead le ra c alisme fantastique 40 peintres europa c e pdf or acquire it as soon as feasible you could speedily download this le ra c alisme

le réalisme fantastique 40 peintres européens de l imaginaire - Nov 24 2021

web le réalisme fantastique 40 peintres européens de l imaginaire max ernst moretti dali labisse l fini éditions opta 1972 by guilbert jean claude les caractères les plus

le ra c alisme fantastique 40 peintres europa c e - Apr 29 2022

web le ra c alisme fantastique 40 peintres europa c e is available in our book collection an online access to it is set as public so you can get it instantly our digital library hosts in

le ra c alisme fantastique 40 peintres europa c e uniport edu - Aug 02 2022

web install the le ra c alisme fantastique 40 peintres europa c e it is unquestionably simple then back currently we extend the belong to to purchase and create bargains to

le ra c alisme fantastique 40 peintres europa c e pdf full pdf - Dec 06 2022

web le ra c alisme fantastique 40 peintres europa c e pdf upload herison v hayda 3 28 downloaded from inequalityforall com on january 4 2023 by herison v hayda presents

le ra c alisme fantastique 40 peintres europa c e uniport edu - Jan 07 2023

web mar 12 2023 le ra c alisme fantastique 40 peintres europa c e 1 10 downloaded from uniport edu ng on march 12 2023 by guest le ra c alisme fantastique 40 peintres

le réalisme fantastique 40 peintres européens de l imaginaire - Oct 24 2021

web le réalisme fantastique 40 peintres européens de l imaginaire max ernst moretti dali labisse l fini éditions opta 1972 by guilbert jean claude mikl blogger bibli assat free

le réalisme fantastique 40 peintres européens de l imaginaire - Apr 10 2023

web le réalisme fantastique 40 peintres européens de l imaginaire max ernst moretti dali labisse l fini éditions opta 1972 by

guilbert jean claude le groupe des nouveaux

le réalisme fantastique 40 peintres européens de l imaginaire - May 11 2023

web le réalisme fantastique 40 peintres européens de l imaginaire max ernst moretti dali labisse l fini éditions opta 1972 by guilbert jean claude christchurch boys high

le ra c alisme fantastique 40 peintres europa c e 2023 - Mar 09 2023

web feb 28 2023 merely said the le ra c alisme fantastique 40 peintres europa c e is universally compatible with any devices to read le marquis de fayolle par gérard de

le cinéma réaliste 446 mots 2 pages - Feb 25 2022

web le cinéma réaliste 446 mots 2 pages montre plus le cinéma réaliste le cinéma réaliste date du début du xxème siècle il se propage

le réalisme fantastique 40 peintres européens de l imaginaire - Sep 22 2021

web may 3rd 2020 marie jos casas nadine cast ra c line cort s am lie delmas animate espagnol 4e todo en pdf marie h l ne place je t aime le réalisme fantastique 40

le réalisme fantastique 40 peintres européens de l imaginaire - Aug 14 2023

web le réalisme fantastique 40 peintres européens de l imaginaire max ernst moretti dali labisse l fini éditions opta 1972 by guilbert jean claude vatlieuxaydunglilian april

le ra c alisme fantastique 40 peintres europa c e pdf 2023 - Feb 08 2023

web le ra c alisme fantastique 40 peintres europa c e pdf le ra c alisme fantastique 40 peintres europa c e pdf book review unveiling the power of words in a world driven

le ra c alisme fantastique 40 peintres europa c e download - Oct 04 2022

web this online declaration le ra c alisme fantastique 40 peintres europa c e can be one of the options to accompany you afterward having supplementary time it will not waste

le ra c alisme fantastique 40 peintres europa c e william - Jun 12 2023

web the le ra c alisme fantastique 40 peintres europa c e it is unquestionably easy then in the past currently we extend the partner to buy and create bargains to download and

réalisme critique wikipédia - Jan 27 2022

web le réalisme critique est une forme philosophique de réalisme qui s est constituée dans les années 1920 aux États unis parallèlement et quelques années après le mouvement

siemens 300a servo 300 service manual pdf medwrench - Jan 29 2023

web ventilator siemens 300a servo documents 300 service manual pdf siemens 300a servo 300 service manual pdf loading

document siemens 300a servo by siemens download pdf product details forums documents videos news request a quote request parts add to my bench this site uses cookies

[siemens servo 300 300a service manual archive org](#) - Jun 02 2023

web may 19 2020 clinical ventilator siemens ventilator siemens servo 300 series identifier manual siemens servo 300 300a service manual identifier ark ark 13960 t3619t47b ocr abbyy finereader 11 0 extended ocr page number confidence 96 15 ppi 300 scanner internet archive python library 1 9 0

[siemens servo ventilator 300 manuals manualslib](#) - Jul 03 2023

web siemens servo ventilator 300 manuals manuals and user guides for siemens servo ventilator 300 we have 1 siemens servo ventilator 300 manual available for free pdf download service manual siemens servo ventilator 300 service manual 131 pages brand siemens category industrial equipment size 2 07 mb table of contents

siemens servo 300 300a service manual pdf dokumen tips - Jun 21 2022

web aug 18 2019 8182019 siemens servo 300 300a service manual pdf 1131 servo ventilator 300300a service manual e382 e380e 061 01 03 01 a d u l t p e d i a t r i c n e o 8230

[servo ventilator 300 300a getinge](#) - Oct 06 2023

web servo ventilator 300 300a e382 e380e 061 01 03 01 siemens elema ab 3 the servo ventilator 300 300a must be serviced at regular intervals by specially trained personnel the service intervals 1000 and 3000 operating hours are described in the operating manual any maintenance must be noted in a log book provided for that purpose in

[service manual frank s hospital workshop](#) - Nov 26 2022

web ^ ^ ^ o2 no 1 servo ventilator 300 300a set no 4 8 6 5 2 7 3 p102 p99 p101 m i t p 10 11 12 13 15 17 18 20 14 21 23 16 19

siemens servo 300 300a service manual pdf pdf scribd - Aug 04 2023

web siemens servo 300 300a service manual pdf pdf control system electrical connector control section the following parts are pc 1614 panel interface 1 with pc 1588 microprocessor module and pan prom pc 1745 automode panel interface 2 only [siemens servo ventilator 300 service manual guidessimo com](#) - Mar 19 2022

web aug 11 2023 service manual siemens servo ventilator 300 service manual specifications 2424 2424373 servo ventilator 300 pdf file 26 jun 2023 manufacturer siemens category of device industrial equipment document servo ventilator 300 service manual file type pdf updated 26 06 2023

[siemens servo ventilator 300 300a pdf pdf scribd](#) - Jul 23 2022

web siemens servo ventilator 300 300a pdf free download as pdf file pdf or read online for free scribd is the world s largest social reading and publishing site siemens servo ventilator 300 300a pdf uploaded by san ramos 0 ratings 0 found this

document useful 0 votes 12 views

service manual frank s hospital workshop - Mar 31 2023

web service manual frank s hospital workshop

siemens servo ventilator 300 service manual all guides - Apr 19 2022

web condair hp series installation and operation manual installation and operation manual 76 pages yoshitake trap star tsf 11at product manual product manual 18 pages view online service manual for siemens servo ventilator 300 industrial equipment or simply click download button to examine the siemens servo ventilator 300 guidelines offline

[siemens servo ventilator 300 service manual pdf](#) - Sep 05 2023

web summary of contents for siemens servo ventilator 300 page 1 servo ventilator 300 300a service manual e382 e380e 061 01 03 01 page 2 ventilator 300 300a are given in pa bar used airway pressures are given in cm h some parts in the servo ventilator 300 1 hpa 1 mbar 1 mbar 1 hpa 300a are comprised by a spare parts 1

siemens servo sv300 and sv300a repair ifixit - Sep 24 2022

web servo ventilator 300 300a operating manual background the servo ventilator 300 300a is a lung ventilator that can be used on adult pediatric and neonatal patients it is made by the company siemens healthineers which is a german medical device company this device was released to the public at 1990s and not exclusive to

siemens servo 300 300a service manual pdf scribd - May 21 2022

web save save siemens servo 300 300a service manual for later 0 ratings 0 found this document useful 0 votes 17 views 128 pages siemens servo 300 300a service only siemens authorized personnel shall be permitted to service or repair the servo ventilator 300 300a only siemens elema exchange parts or genuine spare parts must be used

servo ventilator 300 300a operating manual 8 1 9 1 - May 01 2023

web oct 27 2019 source new siemens com us en html

siemens servo 300 series repair ifixit - Oct 26 2022

web documentation repair and service information for the siemens servo 300 series of ventilators the 300 and 300a provide increased comfort and greater siemens servo 300 series troubleshooting repair siemens servo 300 300a service manual pdf specifications more specifications forum post on common issues view statistics

siemens 300a servo community manuals and specifications - Dec 28 2022

web siemens servo 300 300a service manual pdf siemens servo 300 calibration service companies view all ventilator companies agiliti contact integris equipment contact merco biomedical contact sakomed contact features automode neonate to adult patient range wide range of ventilation modes easy to use o2 air gas module

siemens 300a service manual pdf pdf scribd - Aug 24 2022

web siemens servo ventilator 300 300a service manual aine sree 27 es ek a e382 e380e 061 01 03 02 important servo ventilator 300 300 important general unless stated otherwise the information in this service manual is valid for servo ventilator 300 sv 300 servo ventilator 300a sv 300a

pdf an evaluation of automode a computer controlled ventilator mode - Feb 15 2022

web jan 1 2001 the siemens servo 300a mechanical ventilator is designed to allow the ventilator to be interactive with the patient s needs by making breath by breath adjustments in both control and support modes

download siemens servo ventilator 300 service manual - Feb 27 2023

web siemens servo ventilator 300 service manual brand siemens category industrial equipment size 2 07 mb pages 131 this manual is also suitable for servo ventilator 300a please tick the box below to get your link get manual advertisement manualslib has more than 31825 siemens manuals checkout popular siemens categories

arcanum unbounded the coppermind 17th shard - Apr 30 2023

web arcanum unbounded is a collection of cosmere short fiction released on november 22 2016 in addition to seven previously published pieces of short fiction this collection includes the all new novella edgedancer set on roshar a leatherbound edition is planned which will contain a nalthis essay

arcanum unbounded the cosmere collection barnes noble - Oct 25 2022

web nov 22 2016 overview an all new 120 page stormlight archive novella edgedancer will be the crown jewel of arcanum unbounded the cosmere collection the first book of short fiction by 1 new york times bestselling author brandon sanderson the collection will include nine works in all the first eight are the hope of elantris elantris

arcanum unbounded the cosmere collection macmillan - Jun 01 2023

web nov 22 2016 book details an all new 120 page stormlight archive novella edgedancer will be the crown jewel of arcanum unbounded the cosmere collection the first book of short fiction by 1 new york times bestselling author brandon sanderson the collection will include nine works in all the first eight are the hope of elantris elantris

arcanum unbounded the cosmere collection wikipedia - Oct 05 2023

web arcanum unbounded the cosmere collection is a collection of epic fantasy short stories and novellas written by american author brandon sanderson set in his cosmere universe it was published on november 22 2016 by tor books

arcanum unbounded the cosmere collection digital - May 20 2022

web an all new 120 page stormlight archive novella edgedancer will be the crown jewel of arcanum unbounded the cosmere collection the first book of short fiction by 1 new york times bestselling author brandon sanderson the collection will include nine works in all the first eight are the hope of elantris elantris

arcanum unbounded the cosmere collection kobo com - Apr 18 2022

web oct 27 2023 listen to arcanum unbounded the cosmere collection by brandon sanderson available from rakuten kobo narrated by kate reading start a free 30 day trial today and get your first audiobook free an all new stormlight archive novella edgedancer is the crown jewel of arcanum unbounded the cosme

editions of arcanum unbounded the cosmere collection by goodreads - Jul 02 2023

web nov 8 2016 showing 1 30 of 37 arcanum unbounded the cosmere collection hardcover published november 22nd 2016 by tor books illustrated hardcover 672 pages more details want to read rate this book 1 of 5 stars 2 of 5 stars 3 of 5 stars 4 of 5 stars 5 of 5 stars arcanum unbounded the cosmere collection kindle edition

arcanum unbounded the cosmere collection kindle edition - Aug 23 2022

web nov 22 2016 kindle edition an all new 120 page stormlight archive novella edgedancer will be the crown jewel of arcanum unbounded the cosmere collection the first book of short fiction by 1 new york times bestselling author brandon sanderson the collection will include nine works in all

arcanum unbounded the cosmere collection kindle edition - Sep 23 2022

web nov 24 2016 telling the exciting tales of adventure sanderson fans have come to expect arcanum unbounded include the hugo award winning novella the emperor s soul an excerpt from the graphic novel white sand and the never before published stormlight archive novella edgedancer the collection will include nine works in all

arcanum unbounded the cosmere collection google books - Jan 28 2023

web nov 22 2016 arcanum unbounded the cosmere collection brandon sanderson macmillan nov 22 2016 fiction 416 pages an all new 120 page stormlight archive novella edgedancer will be the crown jewel of arcanum unbounded the cosmere collection the first book of short fiction by 1 new york times bestselling author

arcanum unbounded the cosmere collection archive org - Jun 20 2022

web arcanum unbounded the cosmere collection these wonderful works originally published individually convey the expanse of the cosmere and tell exciting tales of adventure sanderson fans have come to expect including the hugo award winning novella the emperor s soul and an excerpt from the graphic novel white sand

arcanum unbounded the cosmere collection archive org - Sep 04 2023

web may 19 2022 english 671 pages 25 cm an all new 40 000 word stormlight archive novella edgedancer will be the crown jewel of arcanum unbounded the cosmere collection the first book of short fiction by 1 new york times bestselling author brandon sanderson the collection will include nine works in all

arcanum unbounded the cosmere collection - Mar 18 2022

web an all new 120 page stormlight archive novella edgedancer is the crown jewel of arcanum unbounded the cosmere collection the first book of short fiction by 1 new york times bestselling author brandon sanderson

[arcanum unbounded the cosmere collection google play](#) - Feb 26 2023

web an all new 120 page stormlight archive novella edgedancer will be the crown jewel of arcanum unbounded the cosmere collection the first book of short fiction by 1 new york times

arcanum unbounded the cosmere collection macmillan - Dec 27 2022

web nov 22 2016 an all new stormlight archive novella edgedancer is the crown jewel of arcanum unbounded the cosmere collection the first audiobook of short fiction by 1 new york times bestselling author brandon sanderson the collection will include nine works in all the first eight are the hope of elantris elantris the eleventh metal

[arcanum unbounded the cosmere collection amazon com](#) - Jul 22 2022

web nov 10 2016 an all new 40 000 word stormlight archive novella edgedancer will be the crown jewel of arcanum unbounded the cosmere collection the first book of short fiction by 1 new york times bestselling author brandon sanderson

arcanum unbounded the cosmere collection apple books - Nov 25 2022

web nov 22 2016 an all new 120 page stormlight archive novella edgedancer will be the crown jewel of arcanum unbounded the cosmere collection the first book of short fiction by 1 new york times bestselling author brandon sanderson the collection will include nine works in all the first eight are the hope of elantris elantris the

arcanum unbounded the cosmere collection goodreads - Mar 30 2023

web arcanum unbounded the cosmere collection brings together tales spanning the known limits of sanderson s universe including the never before published edgedancer a thrilling new novella of the stormlight archive along with charts illustrations notes and secrets

arcanum unbounded the cosmere collection amazon singapore - Aug 03 2023

web an all new 120 page stormlight archive novella edgedancer is the crown jewel of arcanum unbounded the cosmere collection the first book of short fiction by 1 new york times bestselling author brandon sanderson

arcanum unbounded the cosmere collection audible com - Feb 14 2022

web arcanum unbounded the cosmere collection as it s meant to be heard narrated by michael kramer kate reading discover the english audiobook at audible free trial available