

FEATURES

Digitally programmable frequency and phase
 12.65 mW power consumption at 3 V
 0 MHz to 12.5 MHz output frequency range
 28-bit resolution: 0.1 Hz at 25 MHz reference clock
 Sinusoidal, triangular, and square wave outputs
 2.3 V to 5.5 V power supply
 No external components required
 3-wire SPI interface
 Extended temperature range: -40°C to $+105^{\circ}\text{C}$
 Power-down option
 10-lead MSOP package
 Qualified for automotive applications

APPLICATIONS

Frequency stimulus/waveform generation
 Liquid and gas flow measurement
 Sensory applications: proximity, motion,
 and defect detection
 Line loss/attenuation
 Test and medical equipment
 Sweep/clock generators
 Time domain reflectometry (TDR) applications

GENERAL DESCRIPTION

The AD9833 is a low power, programmable waveform generator capable of producing sine, triangular, and square wave outputs. Waveform generation is required in various types of sensing, actuation, and time domain reflectometry (TDR) applications. The output frequency and phase are software programmable, allowing easy tuning. No external components are needed. The frequency registers are 28 bits wide; with a 25 MHz clock rate, resolution of 0.1 Hz can be achieved; with a 1 MHz clock rate, the AD9833 can be tuned to 0.004 Hz resolution.

The AD9833 is written to via a 3-wire serial interface. This serial interface operates at clock rates up to 40 MHz and is compatible with DSP and microcontroller standards. The device operates with a power supply from 2.3 V to 5.5 V.

The AD9833 has a power-down function (SLEEP). This function allows sections of the device that are not being used to be powered down, thus minimizing the current consumption of the part. For example, the DAC can be powered down when a clock output is being generated.

The AD9833 is available in a 10-lead MSOP package.

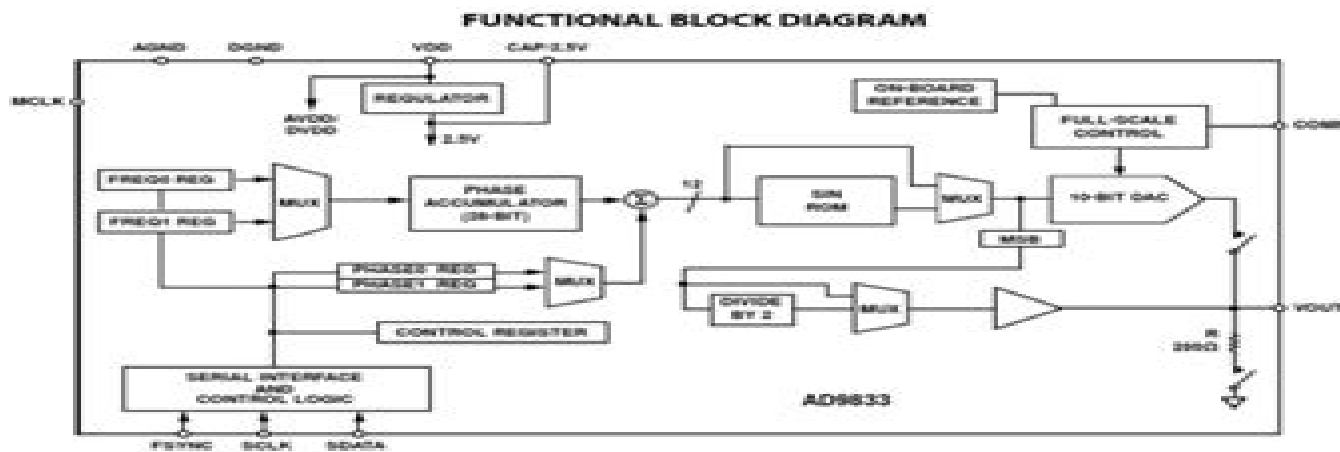


Figure 1.

Rev. E

[Document Feedback](#)

Information furnished by Analog Devices is believed to be accurate and reliable. However, no responsibility is assumed by Analog Devices for its use, nor for any infringements of patents or other rights of third parties that may result from its use. Specifications subject to change without notice. No license is granted by implication or otherwise under any patent or patent rights of Analog Devices. Trademarks and registered trademarks are the property of their respective owners.

One Technology Way, P.O. Box 9106, Norwood, MA 02062-9106, U.S.A.
 Tel: 781.326.4700 ©2003–2012 Analog Devices, Inc. All rights reserved.
[Technical Support](#) www.analog.com

Ad9833 Pdf Analog Devices

Stefan Zimmermann



Ad9833 Pdf Analog Devices:

Robert Lacoste's The Darker Side Robert Lacoste,2009-11-27 Robert Lacoste's The Darker Side column has quickly become a must read among Circuit Cellar devotees His column provides readers with succinct theoretical concepts and practical applications on topics as far reaching as digital modulation to antenna basics Difficult concepts are demystified as Robert shines a light on complex topics within electronic design This book collects sixteen Darker Side articles that have been enriched with new exclusive content from the author An intro into The Darker Side will give examples of material that can enhance and optimize the way you design A Scilab tutorial along with Scilab software and all project material will be included with this package so that all projects can be tackled hands on It's time to stop being afraid of the dark let this book easily guide you through the time draining problematic elements of your application design Tips and tricks to enhance design performance Practical advice on topics from digital signal design to electromagnetic interference

XXX. Messtechnisches Symposium Stefan Zimmermann,2016-09-12 AHMT ist der Arbeitskreis der Hochschullehrer für Messtechnik DACH Dies ist die Zusammenstellung aller eingeladenen Vorträge zum 30. Symposium des AHMT Themen u.a. Modellgestützte Messdatenanalyse Mikrooptische Messtechnik Digitale Kameramesstechniken Elektromagnetische Verträglichkeit

The Internet and Information and Communication Technologies in Today's Society Akaki Girgvliani,David Zautashvili,Avtandil Bardavelidze,Akaki Dzneladze,2024-07-11 The articles included in this book reflect a diverse range of research and theoretical reflections on the Internet and information and communication technologies The articles are grouped into four chapters reflecting the main areas of research interest covering such topics as electronic government electronic business modeling and programming management information systems and information and communication technologies in education The book should prove useful to students teachers researchers and scientists in helping them to acquire knowledge as well as to build new research plans in the field of internet and information technology

Измерительные устройства на базе микропроцессора Atmega (+ информация на сайте). Шонфелдер Г., Шнайдер К.,2012 ATmega128 Atmel ftp ftp bhv ru 9785977505727 zip

Analog Devices Technical Handbooks,1972 *Analog Devices technical reference books 2* Jere Babst,1995 *Data Conversion Handbook* Analog Devices Inc. Analog Devices Inc. Engineeri,2004-12-18 This comprehensive handbook is a one stop engineering reference Covering data converter fundamentals techniques applications and beginning with the basic theoretical elements necessary for a complete understanding of data converters this reference covers all the latest advances in the field This text describes in depth the theory behind and the practical design of data conversion circuits as well as describing the different architectures used in A/D and D/A converters Details are provided on the design of high speed ADCs high accuracy DACs and ADCs and sample and hold amplifiers Also this reference covers voltage sources and current reference noise shaping coding and sigma delta converters and much more The book's 900 plus pages are packed with design information and application circuits including guidelines on selecting the most suitable

converters for particular applications You'll find the very latest information on Data converter fundamentals such as key specifications noise sampling and testing Architectures and processes including SAR flash pipelined folding and more Practical hardware design techniques for mixed signal systems such as driving ADCs buffering DAC outputs sampling clocks layout interfacing support circuits and tools Data converter applications dealing with precision measurement data acquisition audio display DDS software radio and many more The accompanying CD ROM provides software tools for testing and analyzing data converters as well as a searchable pdf version of the text Brings together a huge amount of information impossible to locate elsewhere Many recent advances in converter technology simply aren't covered in any other book A must have design reference for any electronics design engineer or technician

Analog-digital Conversion Handbook Analog Devices, inc,1986 A handbook of analog to digital and digital to analog converters and the circuits and systems that use them from the world leader in conversion products

Analog-Digital Conversion Handbook, by the Engineering Staff of Analog Devices, Inc. Edited by Daniel H. Sheingold Analog Devices, inc,1972

Analog-Digital Conversion Analog Devices, inc,2004-01-01

Analog-digital Conversion Handbook Analog Devices, inc,1972

Analog Devices Semiconductor Analog Devices, inc,1974

[Analog-digital conversion handbook](#) Analog devices engineering staff,1972

Practical Analog Design Techniques Walt Kester,1995

[Analog-digital Conversion Notes](#) Analog Devices, inc,1980

[The Innovation Engine](#) ,2018-09

Silicon Analog Components Badih El-Kareh,Lou N. Hutter,2019-08-07 This book covers modern analog components their characteristics and interactions with process parameters It serves as a comprehensive guide addressing both the theoretical and practical aspects of modern silicon devices and the relationship between their electrical properties and processing conditions Based on the authors extensive experience in the development of analog devices this book is intended for engineers and scientists in semiconductor research development and manufacturing The problems at the end of each chapter and the numerous charts figures and tables also make it appropriate for use as a text in graduate and advanced undergraduate courses in electrical engineering and materials science Enables engineers to understand analog device physics and discusses important relations between process integration device design component characteristics and reliability Describes in step by step fashion the components that are used in analog designs the particular characteristics of analog components while comparing them to digital applications Explains the second order effects in analog devices and trade offs between these effects when designing components and developing an integrated process for their manufacturing

Analog Circuit Design Seminar Analog Devices,1982

1992 Data Converter Reference Manual ,1992

1992 Data Converter Reference Manual ,1992

The Enigmatic Realm of **Ad9833 Pdf Analog Devices**: Unleashing the Language is Inner Magic

In a fast-paced digital era where connections and knowledge intertwine, the enigmatic realm of language reveals its inherent magic. Its capacity to stir emotions, ignite contemplation, and catalyze profound transformations is nothing in short supply of extraordinary. Within the captivating pages of **Ad9833 Pdf Analog Devices** a literary masterpiece penned by a renowned author, readers embark on a transformative journey, unlocking the secrets and untapped potential embedded within each word. In this evaluation, we shall explore the book's core themes, assess its distinct writing style, and delve into its lasting affect the hearts and minds of people who partake in its reading experience.

https://py.bijouxmedusa.com/files/Resources/index.jsp/international_t444e_engine_diagram.pdf

Table of Contents Ad9833 Pdf Analog Devices

1. Understanding the eBook Ad9833 Pdf Analog Devices
 - The Rise of Digital Reading Ad9833 Pdf Analog Devices
 - Advantages of eBooks Over Traditional Books
2. Identifying Ad9833 Pdf Analog Devices
 - Exploring Different Genres
 - Considering Fiction vs. Non-Fiction
 - Determining Your Reading Goals
3. Choosing the Right eBook Platform
 - Popular eBook Platforms
 - Features to Look for in an Ad9833 Pdf Analog Devices
 - User-Friendly Interface
4. Exploring eBook Recommendations from Ad9833 Pdf Analog Devices
 - Personalized Recommendations
 - Ad9833 Pdf Analog Devices User Reviews and Ratings
 - Ad9833 Pdf Analog Devices and Bestseller Lists

5. Accessing Ad9833 Pdf Analog Devices Free and Paid eBooks
 - Ad9833 Pdf Analog Devices Public Domain eBooks
 - Ad9833 Pdf Analog Devices eBook Subscription Services
 - Ad9833 Pdf Analog Devices Budget-Friendly Options
6. Navigating Ad9833 Pdf Analog Devices eBook Formats
 - ePub, PDF, MOBI, and More
 - Ad9833 Pdf Analog Devices Compatibility with Devices
 - Ad9833 Pdf Analog Devices Enhanced eBook Features
7. Enhancing Your Reading Experience
 - Adjustable Fonts and Text Sizes of Ad9833 Pdf Analog Devices
 - Highlighting and Note-Taking Ad9833 Pdf Analog Devices
 - Interactive Elements Ad9833 Pdf Analog Devices
8. Staying Engaged with Ad9833 Pdf Analog Devices
 - Joining Online Reading Communities
 - Participating in Virtual Book Clubs
 - Following Authors and Publishers Ad9833 Pdf Analog Devices
9. Balancing eBooks and Physical Books Ad9833 Pdf Analog Devices
 - Benefits of a Digital Library
 - Creating a Diverse Reading Collection Ad9833 Pdf Analog Devices
10. Overcoming Reading Challenges
 - Dealing with Digital Eye Strain
 - Minimizing Distractions
 - Managing Screen Time
11. Cultivating a Reading Routine Ad9833 Pdf Analog Devices
 - Setting Reading Goals Ad9833 Pdf Analog Devices
 - Carving Out Dedicated Reading Time
12. Sourcing Reliable Information of Ad9833 Pdf Analog Devices
 - Fact-Checking eBook Content of Ad9833 Pdf Analog Devices
 - Distinguishing Credible Sources
13. Promoting Lifelong Learning

- Utilizing eBooks for Skill Development
 - Exploring Educational eBooks
14. Embracing eBook Trends
- Integration of Multimedia Elements
 - Interactive and Gamified eBooks

Ad9833 Pdf Analog Devices Introduction

In the digital age, access to information has become easier than ever before. The ability to download Ad9833 Pdf Analog Devices has revolutionized the way we consume written content. Whether you are a student looking for course material, an avid reader searching for your next favorite book, or a professional seeking research papers, the option to download Ad9833 Pdf Analog Devices has opened up a world of possibilities. Downloading Ad9833 Pdf Analog Devices provides numerous advantages over physical copies of books and documents. Firstly, it is incredibly convenient. Gone are the days of carrying around heavy textbooks or bulky folders filled with papers. With the click of a button, you can gain immediate access to valuable resources on any device. This convenience allows for efficient studying, researching, and reading on the go. Moreover, the cost-effective nature of downloading Ad9833 Pdf Analog Devices has democratized knowledge. Traditional books and academic journals can be expensive, making it difficult for individuals with limited financial resources to access information. By offering free PDF downloads, publishers and authors are enabling a wider audience to benefit from their work. This inclusivity promotes equal opportunities for learning and personal growth. There are numerous websites and platforms where individuals can download Ad9833 Pdf Analog Devices. These websites range from academic databases offering research papers and journals to online libraries with an expansive collection of books from various genres. Many authors and publishers also upload their work to specific websites, granting readers access to their content without any charge. These platforms not only provide access to existing literature but also serve as an excellent platform for undiscovered authors to share their work with the world. However, it is essential to be cautious while downloading Ad9833 Pdf Analog Devices. Some websites may offer pirated or illegally obtained copies of copyrighted material. Engaging in such activities not only violates copyright laws but also undermines the efforts of authors, publishers, and researchers. To ensure ethical downloading, it is advisable to utilize reputable websites that prioritize the legal distribution of content. When downloading Ad9833 Pdf Analog Devices, users should also consider the potential security risks associated with online platforms. Malicious actors may exploit vulnerabilities in unprotected websites to distribute malware or steal personal information. To protect themselves, individuals should ensure their devices have reliable antivirus software installed and validate the legitimacy of the websites they are downloading from. In conclusion, the ability to download Ad9833 Pdf Analog

Devices has transformed the way we access information. With the convenience, cost-effectiveness, and accessibility it offers, free PDF downloads have become a popular choice for students, researchers, and book lovers worldwide. However, it is crucial to engage in ethical downloading practices and prioritize personal security when utilizing online platforms. By doing so, individuals can make the most of the vast array of free PDF resources available and embark on a journey of continuous learning and intellectual growth.

FAQs About Ad9833 Pdf Analog Devices Books

How do I know which eBook platform is the best for me? Finding the best eBook platform depends on your reading preferences and device compatibility. Research different platforms, read user reviews, and explore their features before making a choice. Are free eBooks of good quality? Yes, many reputable platforms offer high-quality free eBooks, including classics and public domain works. However, make sure to verify the source to ensure the eBook credibility. Can I read eBooks without an eReader? Absolutely! Most eBook platforms offer web-based readers or mobile apps that allow you to read eBooks on your computer, tablet, or smartphone. How do I avoid digital eye strain while reading eBooks? To prevent digital eye strain, take regular breaks, adjust the font size and background color, and ensure proper lighting while reading eBooks. What the advantage of interactive eBooks? Interactive eBooks incorporate multimedia elements, quizzes, and activities, enhancing the reader engagement and providing a more immersive learning experience. Ad9833 Pdf Analog Devices is one of the best book in our library for free trial. We provide copy of Ad9833 Pdf Analog Devices in digital format, so the resources that you find are reliable. There are also many Ebooks of related with Ad9833 Pdf Analog Devices. Where to download Ad9833 Pdf Analog Devices online for free? Are you looking for Ad9833 Pdf Analog Devices PDF? This is definitely going to save you time and cash in something you should think about.

Find Ad9833 Pdf Analog Devices :

[international t444e engine diagram](#)

[introduction to flight 7th edition solutions manual scribd](#)

[integrated reservoir modeling oil gas portal](#)

international financial management eun resnick solution manual

ilustraciones perfectas sobre todo tema y para toda ocasion

instrumentation and control tutorial 1 basic engineering

in the miso soup ryu murakami

inquiry by design environment behavior neuroscience in architecture interiors landscape and planning john zeisel

intermediate accounting intangible assets solutions

integrated personnel payroll and rcms

international handbook of english language teaching springer

integrated korean beginning 1 2nd edition fenxiangore

into the void star wars dawn of jedi tim lebbon

internet and web technologies rajkamal

in conflict and order understanding society 12th edition

Ad9833 Pdf Analog Devices :

Chapter 8 Aplia Flashcards is a strategic alliance in which two existing companies collaborate to form a third, independent company. Aplia Assignment CH 8 - Chapter 8 homework 1. Making ... Aplia Assignment CH 8 chapter homework making persuasive requests in business environment, persuasion is critical to success. persuasion is necessary when ... Chapter 08: Aplia Assignment Flashcards Study with Quizlet and memorize flashcards containing terms like , Establish credibility, persuasive practices and more. Chapter 08-Aplia Assignment.docx Chapter 08: Aplia Assignment 1. Understanding Persuasion in a Social and Mobile Age Contemporary businesses have embraced leaner corporate hierarchies, ... Aplia Assignment CH 8 - Attempts: 7. Average Fill in the blank with the most appropriate answer. A successful persuasive message to subordinates should use warm words. Points: 1 / 1. Close Explanation ... Chapter 8 Solutions | Aplia For Gwartney/stroup/sobel ... List the major phases of the business cycle and indicate how real GDP, employment, and unemployment change during these phases. Solved Chapter 8 Aplia Assignment: The Scholar Just as ... Mar 2, 2021 — This problem has been solved! You'll get a detailed solution from a subject matter expert that helps you learn core concepts. See AnswerSee ... homework aplia chapter 8 review attempt 2.docx Chapter 8 Review Persuasive messages convince someone to accept a product, service, or idea. To persuade effectively, the sender of the message must know ... Micro, Chapter 8 Homework - YouTube ECON 2301 Mindtap Chapter 8 Q4 - YouTube Perfect Daughters: Adult Daughters of Alcoholics This new edition of Perfect Daughters, a pivotal book in the ACoA movement, identifies what differentiates the adult daughters of alcoholics from other ... Perfect Daughters | Book by Robert Ackerman This new edition of Perfect Daughters, a pivotal book in the ACoA movement, identifies what differentiates the adult daughters of alcoholics from other women. Perfect Daughters - by Robert J. Ackerman Buy a cheap copy of Perfect Daughters (Revised Edition) book by Robert J. Ackerman. This new

edition of Perfect Daughters, a pivotal book in the ACoA ... by Robert Ackerman - Perfect Daughters This new edition of Perfect Daughters, a pivotal book in the ACoA movement, identifies what differentiates the adult daughters of alcoholics from other women. Perfect Daughters (Revised Edition) book by Robert ... Ackerman. This new edition of Perfect Daughters, a pivotal book in the ACoA movement, identifies what differentiates the adult daughters of alcoholics from ... Perfect Daughters This edition contains updated information throughout the text, and completely new material, including chapters on eating disorders and abuse letters from ... Perfect Daughters (Adult Daughters of Alcoholics) This new edition of Perfect Daughters, a pivotal book in the ACoA movement, identifies what differentiates the adult daughters of alcoholics from other women. Perfect Daughters: Adult Daughters of Alcoholics: Robert ... This new edition of Perfect Daughters, a pivotal book in the ACoA movement, identifies what differentiates the adult daughters of alcoholics from other women. Perfect Daughters: Adult Daughters of Alcoholics This edition contains updated information throughout the text, and completely new material, including chapters on eating disorders and abuse letters from ... Perfect Daughters: Adult Daughters of Alcoholics This edition contains updated information throughout the text, and completely new material, including chapters on eating disorders and abuse letters from ... Christopher T.S. Ragan Economics, 14th Canadian Edition, Testbank · Pearson Education Canada · Christopher T.S. Ragan. Year: ... Macroeconomics, Fifteenth Canadian Edition (15th Edition). Christopher T.S. Ragan: Books Macroeconomics, Fourteenth Canadian Edition Plus MyEconLab with Pearson eText -- Access Card Package (14th Edition) by Christopher T.S. Ragan (February 22,2013). Test Bank for Economics Fourteenth Canadian Edition ... Aug 4, 2018 — Test Bank for Economics Fourteenth Canadian Edition Canadian 14th Edition by Ragan Full clear download (no error formatting) at ... Economics by Ragan 14th Edition Chapter 24 Test Bank A) aggregate expenditure and aggregate demand. B) the money supply and interest rates. C) unemployment and the rate of change of wages. D) inflation and ... Paul T Dickinson | Get Textbooks Study Guide for Macroeconomics, Fourteenth Canadian Edition(14th Edition) by Richard G. Lipsey, Paul T. Dickinson, Gustavo Indart Paperback, 456 Pages ... Microeconomics Canadian 14th Edition Ragan Solutions ... Apr 14, 2019 — Microeconomics Canadian 14th Edition Ragan Solutions Manual Full Download ... "MACROECONOMICS 15TH CANADIAN EDITION BY RAGAN SOLUTIONS MANUAL ... Microeconomics, Fourteenth Canadian Edition with ... An indispensable reference for students enrolled in any business and economics program, Ragan: Economics builds on a rich legacy of success in teaching and ... Ebook you need like macroeconomics canada in the Read books online macroeconomics canada in the global environment 8th edition torrent or download macroeconomics ... ragan macroeconomics 14th edition torrent ... Microeconomics Canadian 14th Edition Ragan Test Bank Microeconomics Canadian 14th Edition Ragan Test Bank - Free download as PDF File (.pdf), Text File (.txt) or read online for free. Test Bank. Economics: Principles, Problems and Policies Go to www.mcconnellbriefmacro1e.com for sample chapters, the text preface, and more information. Macroeconomics, Brief Edition ... Ragan, Kansas State University.