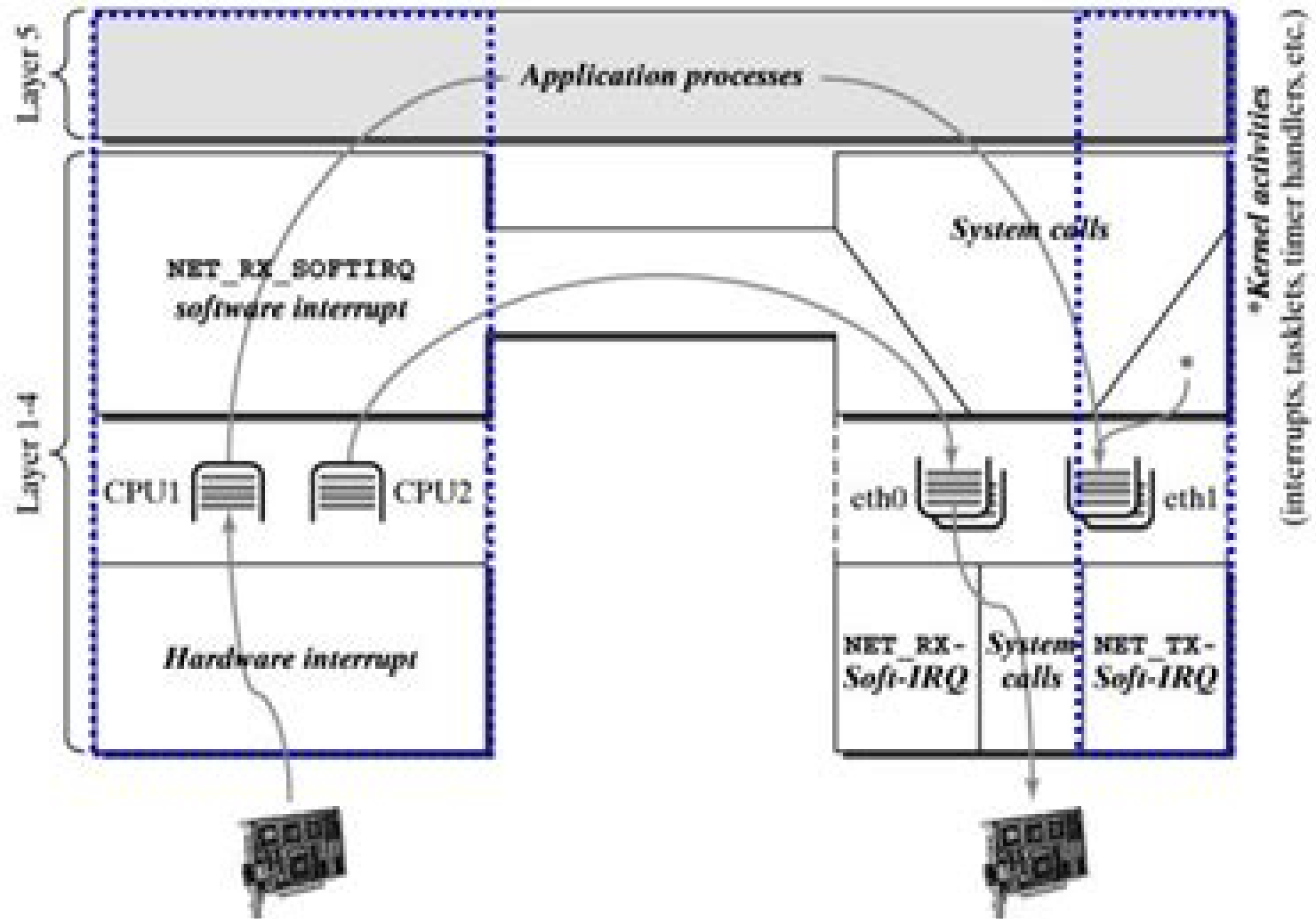


Linux Network Activity



Advanced Linux Networking

Jay LaCroix



Advanced Linux Networking:

Advanced Linux Networking Roderick W. Smith, 2002 Advanced Linux Networking is designed to help users achieve a higher level of competence It focuses on powerful techniques and features of Linux networking and provides the know how needed to improve server efficiency enhance security and adapt to new requirements [Advanced Guide to Linux Networking and Security](#) Ed Sawicki, Nicholas Wells, 2006 Linux is the fastest growing operating system As the number of companies implementing Linux increases so too does the rapidly developing need for skilled users developers and administrators Advanced Guide to Linux Networking and Security was especially designed for individuals who want to move beyond just the basics of Linux installation and administration into a broader study of the many security issues surrounding this operating system With its comprehensive Linux security coverage this text can fit into any Linux Security course and is intended to follow the Complete Guide to Linux System Administration by Nick Wells *Network Programmability and Automation* Jason Edelman, Scott S. Lowe, Matt Oswalt, 2018-02-02 This practical guide shows network engineers how to use a range of technologies and tools including Linux Python JSON and XML to automate their systems through code This book will help you simplify tasks involved in configuring managing and operating network equipment topologies services and connectivity Page 4 of cover [Linux Advanced Routing and Traffic Control HOWTO](#) Gregory Maxwell, Remco Mook, Martijn Oosterhout, Paul Schroeder, Jasper Spaans, Bert Hubert, 2019-11-06 Summary This classic howto was written in 2002 but it is still a must read howto for any Linux networking professionals today Many practical examples are included in the book It is a very hands on approach to iproute2 traffic shaping policy routing and a bit of netfilter This is a book you should have on your bookshelf Table of Contents Dedication Introduction Introduction to iproute2 Rules routing policy database GRE and other tunnels IPv6 tunneling with Cisco and or 6bone IPsec secure IP over the internet Multicast routing Queueing Disciplines for Bandwidth Management Load sharing over multiple interfaces Netfilter iproute marking packets Advanced filters for re classifying packets Kernel network parameters Advanced less common queueing disciplines Cookbook Building bridges and pseudo bridges with Proxy ARP Dynamic routing OSPF and BGP Other possibilities Further reading Acknowledgements

Network Programmability and Automation Matt Oswalt, Christian Adell, Scott S. Lowe, Jason Edelman, 2022-06-23 Network engineers are finding it harder than ever to rely solely on manual processes to get their jobs done New protocols technologies delivery models and the need for businesses to become more agile and flexible have made network automation essential The updated second edition of this practical guide shows network engineers how to use a range of technologies and tools including Linux Python APIs and Git to automate systems through code This edition also includes brand new topics such as network development environments cloud programming with Go and a reference network automation architecture Network Programmability and Automation will help you automate tasks involved in configuring managing and operating network equipment topologies services and connectivity Through the course of the book you ll learn the basic skills and tools

you need to make this critical transition You ll learn Programming skills with Python and Go data types conditionals loops functions and more New Linux based networking technologies and cloud native environments and how to use them to bootstrap development environments for your network projects Data formats and models JSON XML YAML Protobuf and YANG Jinja templating for creating network device configurations A holistic approach to architecting network automation services The role of application programming interfaces APIs in network automation Source control with Git to manage code changes during the automation process Cloud native technologies like Docker and Kubernetes How to automate network devices and services using Ansible Nornir and Terraform Tools and technologies for developing and continuously integrating network automation

Mastering Linux Network Administration Jay LaCroix,2015-11-03 Master the skills and techniques that are required to design deploy and administer real Linux based networks About This Book Master the art of using Linux and administering network services for enterprise environments Perform hands on activities to reinforce expert level knowledge Get full coverage of both the CentOS and Debian systems including how networking concepts differ for each Who This Book Is For Mastering Linux Network Administration is recommended for those who already understand the basics of using Linux and networking and would like to push those skills to a higher level through real world Linux networking scenarios Whether you intend to run a home office consisting of Linux nodes or a rollout of a Linux network within your organization this book is a great fit for those that desire to learn how to manage networked systems with the power of Linux What You Will Learn Install and configure the Debian and CentOS systems Set up and configure file servers Administer networked nodes remotely Discover how to monitor system performance for peak health Configure network services such as DNS and DHCP Host HTTP content via Apache Troubleshoot Linux networking issues In Detail Linux is everywhere Whether you run a home office a small business or manage enterprise systems Linux can empower your network to perform at its very best Armed with the advanced tools and best practice guidance of this practical guide you ll be able to mold Linux networks to your will empowering your systems and their users to take advantage of all that Linux based networks have to offer Understand how Linux networks function and get to grips with essential tips and tricks to manage them whether you re already managing a networks or even just starting out With Debian and CentOS as its source this book will divulge all the details you need to manage a real Linux based network With detailed activities and instructions based on real world scenarios this book will be your guide to the exciting world of Linux networking Style and approach This practical guide will walk you through all the core concepts required to manage real Linux based networks

Network Dictionary Javvin Wwww Networkdictionary Com,2007 Whether the reader is the biggest technology geek or simply a computer enthusiast this integral reference tool can shed light on the terms that ll pop up daily in the communications industry Computer Books Communications Networking

Red Hat Linux Networking and System Administration Terry Collings,Kurt Wall,2004-02-20 Updated to cover Red Hat Linux Enterprise Workstation with the latest on advanced Linux kernel features

the Tux Web server the latest Apache 2 x Web server and the expanded suite of custom configuration tools Starts with network planning and Red Hat installation and configuration then progresses to optimizing network and Internet services and monitoring and maintaining the network Examines the basics of Red Hat Linux security and offers trouble shooting and problem solving advice Includes important new chapters that focus on optimizing standard network services such as file and print services and Internet related servers such as the Apache Web server Copyright 2004 by Red Hat Inc Material from Chapters 4 6 8 10 17 and 21 may be distributed only subject to the terms and conditions set forth in the Open Publication License V1 0 or later the latest version is presently available at <http://www.opencontent.org/openpub>

Advanced Networking Concepts Applied Using Linux on IBM System Z Lydia Parziale, Ben Louie, Eric Marins, Tiago Santos, Srivatsan Venkatesan, 2012 This IBM Redbooks publication describes important networking concepts and industry standards that are used to support high availability on IBM System z Some of the networking standards described here are VLANs VLAN trunking link aggregation virtual switches VNICs and load balancing We examine the various aspects of network setups and introduce the main Linux on System z networking commands and configuration files We describe the management of network interface parameters assignment of addresses to a network interface and usage of the ifconfig command to configure network interfaces We provide an overview of connectivity options available on the System z platform We also describe high availability concepts and building a high availability solution using IBM Tivoli System Automation We also provide the implementation steps necessary to build a redundant network connections set up between an IBM z VM system and the external network switches using two Open Systems Adapter Express 3 OSA Express 3 adapters with 10 Gb Ethernet ports We describe the tests performed in our lab environment The objectives of these tests were to gather information about performance and failover from the perspective of a real scenario where the concepts of described in this book were applied This book is focused on information that is practical and useful for readers with experience in network analysis and engineering networks System z and Linux systems administrators especially for readers that administer networks in their day to day activities For additional reading A Technote is available that explains changes to using channel bonding interfaces introduced with SLES 11 SP 2 It can be found at <http://www.redbooks.ibm.com/abstracts/tips1000.html> Open [Mastering Linux](#) Rahul Dwivedi, 2024-11-01

PURPOSE OF THIS BOOK This book is written with one simple dream to make knowledge affordable and accessible for everyone Education should never be a luxury that only the rich can afford it is a right that belongs to every human being That s why this book is priced at nominal charges so that even those who cannot afford expensive courses schools or coaching can still learn grow and build their future Whether you are a Cybersecurity students App developers and Digital forensics professionals a beginner or someone curious about learning this book is designed for you so that money never becomes a barrier between you and education Because I think True power lies in knowledge and knowledge must be shared with all About Book *Mastering Linux Advanced Level* Unlock the power of professional Linux

system administration security and automation Learn advanced server management networking kernel tuning and ethical hacking with hands on labs and real world projects Perfect for IT professionals sysadmins and cybersecurity learners who want to master Linux like a pro Keywords Linux Linux book learn Linux Linux for beginners Linux guide Linux tutorial Linux commands Linux shell Linux terminal Linux basics Linux administration Linux server Linux for professionals Linux operating system Linux mastery Linux course Linux learning Linux certification Linux expert Linux command line Linux scripting Bash scripting Linux shell scripting Linux kernel Linux networking Linux system administration Ubuntu Red Hat CentOS Fedora Debian Linux tips Linux tricks Linux guidebook Linux user manual Linux programming Linux server management Linux command guide Linux system setup Linux tutorial book mastering Linux Linux for students Linux administration guide Linux commands list Linux shell guide Linux coding Linux practice Linux for IT professionals Linux system engineer Linux course book Linux desktop Linux file system Linux terminal commands Linux beginner guide Linux reference Linux advanced Linux security Linux troubleshooting Linux automation Linux DevOps Linux virtualization Linux tools Linux networking guide Linux sysadmin Linux operating system book Linux basics to advanced Linux essential commands Linux bash Linux cheat sheet Linux for developers Linux shell practice Linux learning path Linux performance Linux optimization Linux for hackers Linux certification guide Linux engineer book Linux for ethical hacking Linux kernel basics Linux system guide Linux projects Linux hands on Linux tutorial for beginners Linux notes Linux interview questions Linux practice book Linux CLI Linux terminal tips Linux shell commands Linux configuration Linux management Linux jobs Linux professional guide Linux manual Linux expert book Linux reference guide Linux training book Mastering Linux Advanced Linux Linux advanced course Linux mastery guide Linux professional book Linux system administration Linux advanced tutorial Linux expert guide Linux power user Linux for professionals Linux command line mastery Linux shell scripting advanced bash scripting expert Linux server management Linux system optimization Linux kernel guide Linux kernel tuning advanced bash commands Linux automation Linux performance tuning Linux security hardening Linux troubleshooting Linux optimization Linux networking Linux system administration book Linux sysadmin guide Linux DevOps Linux for system engineers Red Hat Enterprise Linux Ubuntu server guide CentOS administration Debian server management Fedora advanced Arch Linux mastery advanced Linux shell Linux scripting projects Linux automation scripts Linux terminal mastery Linux server security SELinux configuration iptables firewall nftables firewall Linux network configuration Linux SSH security Linux remote management advanced SSH commands Linux virtualization KVM virtualization Docker on Linux Kubernetes on Linux Linux cloud management AWS Linux administration GCP Linux Azure Linux Linux for DevOps engineers Linux for cybersecurity Linux ethical hacking Linux penetration testing Linux exploit development Linux file system internals Linux process management Linux system calls systemd deep dive Linux boot process GRUB configuration Linux dual boot Linux monitoring Linux performance tools Linux benchmarking Linux disk management LVM setup RAID configuration Linux storage optimization ext4 xfs btrfs Linux backup

and recovery rsync advanced Linux cron jobs automation with cron Linux scripting automation Linux shell loops awk sed grep advanced Linux piping and redirection Linux logs analysis journalctl dmesg syslog Linux performance monitoring htop iotop nload Linux server optimization Linux memory management swap configuration sysctl tuning Linux tuning parameters Linux debugging strace lsof netstat ss command Linux network troubleshooting traceroute dig nslookup Linux DNS configuration Linux load balancing HAProxy setup Nginx advanced Apache tuning Linux mail server Postfix Dovecot setup Linux VPN setup WireGuard OpenVPN Linux encryption LUKS configuration GPG usage OpenSSL commands Linux auditd AppArmor policies Linux security modules Linux malware detection Linux patch management kernel security updates Linux firewall configuration Linux process scheduling cgroups namespaces Linux containers Docker security Podman Kubernetes orchestration Linux system architecture Linux memory tuning Linux multitasking Linux threading Linux interprocess communication Linux daemons Linux system services Linux sysctl conf Linux security best practices Linux optimization for performance Linux server hardening Linux enterprise solutions Linux hybrid cloud Linux for administrators Linux for engineers Linux cloud integration Linux automation tools Ansible on Linux Puppet Linux Chef Linux automation Linux CI CD pipelines Jenkins on Linux Linux continuous deployment Linux system design Linux enterprise administration Linux system monitoring tools Linux kernel compilation build custom Linux compile kernel Linux source code management Linux driver development Linux API programming Linux POSIX threads Linux shell customization bashrc aliases environment variables Linux history commands Linux regex advanced grep sed and awk mastery Linux scripting interview questions Linux admin interview prep Linux professional certification RHCE LPIC 2 LPIC 3 Linux certification exam prep Linux advanced study guide Linux performance expert Linux administrator handbook Linux professional training Linux masterclass Linux reference guide Linux cheat sheet advanced Linux command list advanced Linux commands Linux productivity Linux toolkit Linux expert handbook Linux for DevOps professionals Linux infrastructure management Linux automation engineer Linux cloud engineer Linux advanced networking Linux security engineer Linux systems design Linux master tutorial Linux professional reference Linux hands on labs Linux for developers Linux deep dive Linux architecture guide Linux scripting reference Linux command reference mastering bash shell Linux advanced scripting Linux enterprise deployment Linux hybrid systems Linux configuration management

Linux Network Servers Craig Hunt, 2006-10-11 Authoritative Answers to All Your Linux Network Server Questions Specifically for Linux Administrators Tap into Linux's impressive capabilities as a network server Written by one of the world's leading Linux system administration experts Linux Network Servers teaches you step by step all the standard and advanced techniques you need to know to configure and administer a full range of network services from file and printer sharing to email and the Web Hundreds of clear consistent examples illustrate these techniques in detail so you stay on track and accomplish all your goals Coverage includes the following Installing Linux Understanding the boot process Working with the network interface Setting up login services Using Linux name services Configuring a mail server

Setting up Apache Web server Configuring network gateway services Configuring desktop configuration server Setting up file sharing Setting up printer services Securing your server Troubleshooting The Craig Hunt Linux Library The Craig Hunt Linux Library provides in depth advanced coverage of the key topics for Linux administrators Topics include Samba System Administration DNS Server Administration Apache Security and Sendmail Each book in the series is either written by or meticulously reviewed by Craig Hunt to ensure the highest quality and most complete coverage for networking professionals working specifically in Linux environments

Ultimate Linux Network Security for Enterprises Adarsh Kant, 2024-04-30

Level Up Your Security Skills with Linux Expertise Key Features Comprehensive exploration of Linux network security and advanced techniques to defend against evolving cyber threats Hands on exercises to reinforce your understanding and gain practical experience in implementing cybersecurity strategies Gain valuable insights from industry best practices to effectively address emerging threats and protect your organization's digital assets within the evolving landscape of Linux network security

Book DescriptionThe Ultimate Linux Network Security for Enterprises is your essential companion to mastering advanced cybersecurity techniques tailored for Linux systems The book provides a comprehensive exploration of Linux network security equipping you with the skills and knowledge needed to defend against evolving cyber threats Through hands on exercises real world scenarios and industry best practices this book empowers you to fortify your organization's networks with confidence Discover practical insights and techniques that transcend theoretical knowledge enabling you to apply effective cybersecurity strategies in your job role From understanding fundamental concepts to implementing robust security measures each chapter provides invaluable insights into securing Linux based networks Whether you are tasked with conducting vulnerability assessments designing incident response plans or implementing intrusion detection systems this book equips you with the tools and expertise to excel in your cybersecurity endeavors By the end of this book you will gain the expertise needed to stay ahead of emerging threats and safeguard your organization's digital assets What you will learn Perform thorough vulnerability assessments on Linux networks to pinpoint network weaknesses Develop and deploy resilient security incident response plans Configure and oversee sophisticated firewall and packet filtering rules Employ cryptography techniques to ensure secure data transmission and storage Implement efficient Intrusion Detection and Prevention Systems IDS IPS Enforce industry leading best practices to bolster Linux network security defenses

Table of Contents

- 1 Exploring Linux Network Security Fundamentals
- 2 Creating a Secure Lab Environment
- 3 Access Control Mechanism in Linux
- 4 Implementing Firewalls And Packet Filtering
- 5 Mastering Cryptography for Network Security
- 6 Intrusion Detection System and Intrusion Prevention System
- 7 Conducting Vulnerability Assessment with Linux
- 8 Creating Effective Disaster Recovery Strategies
- 9 Robust Security Incident Response Plan
- 10 Best Practices for Linux Network Security Professionals

Index

Linux Journal, 2005-07 *Linux Administration* Steven Graham, Steve Shah, 2003 This volume is a practical guide to Linux for systems and network administrators who are moving from Windows NT to Linux or

are experimenting with bringing Linux into their network topology [Linux Advanced System and Network Administration](#) Element K Content LLC,2005-01-01 **Advanced Networking Concepts Applied Using Linux on IBM System z** Lydia Parziale,Ben Louie,Eric Marins,Tiago Nunes dos Santos,Srivatsan Venkatesan,IBM Redbooks,2012-03-06 This IBM Redbooks publication describes important networking concepts and industry standards that are used to support high availability on IBM System z Some of the networking standards described here are VLANs VLAN trunking link aggregation virtual switches VNICs and load balancing We examine the various aspects of network setups and introduce the main Linux on System z networking commands and configuration files We describe the management of network interface parameters assignment of addresses to a network interface and usage of the ifconfig command to configure network interfaces We provide an overview of connectivity options available on the System z platform We also describe high availability concepts and building a high availability solution using IBM Tivoli System Automation We also provide the implementation steps necessary to build a redundant network connections set up between an IBM z VM system and the external network switches using two Open Systems Adapter Express 3 OSA Express 3 adapters with 10 Gb Ethernet ports We describe the tests performed in our lab environment The objectives of these tests were to gather information about performance and failover from the perspective of a real scenario where the concepts of described in this book were applied This book is focused on information that is practical and useful for readers with experience in network analysis and engineering networks System z and Linux systems administrators especially for readers that administer networks in their day to day activities For additional reading A Technote is available that explains changes to using channel bonding interfaces introduced with SLES 11 SP 2 It can be found at <http://www.redbooks.ibm.com/abstracts/tips1000.html> Open [A Practical Guide to Advanced Networking](#) Jeffrey S. Beasley,Piyasat Nilkaew,2012-11-05 A Practical Guide to Advanced Networking Third Edition takes a pragmatic hands on approach to teaching advanced modern networking concepts from the network administrator s point of view Thoroughly updated for the latest networking technologies and applications the book guides you through designing configuring and managing campus networks connecting networks to the Internet and using the latest networking technologies The authors first show how to solve key network design challenges including data flow selection of network media IP allocation subnetting and configuration of both VLANs and Layer 3 routed networks Next they illuminate advanced routing techniques using RIP RIPv2 OSPF IS IS EIGRP and other protocols and show how to address common requirements such as static routing and route redistribution You ll find thorough coverage of configuring IP based network infrastructure and using powerful WireShark and NetFlow tools to analyze and troubleshoot traffic A full chapter on security introduces best practices for preventing DoS attacks configuring access lists and protecting routers switches VPNs and wireless networks This book s coverage also includes IPv6 Linux based networking Juniper routers BGP Internet routing and Voice over IP VoIP Every topic is introduced in clear easy to understand language key ideas are reinforced with working examples and hands on exercises

based on powerful network simulation software Key Pedagogical Features NET CHALLENGE SIMULATION SOFTWARE provides hands on experience with advanced router and switch commands interface configuration and protocols now including RIPv2 and IS IS WIRESHARK NETWORK PROTOCOL ANALYZER TECHNIQUES and EXAMPLES of advanced data traffic analysis throughout PROVEN TOOLS FOR MORE EFFECTIVE LEARNING including chapter outlines and summaries WORKING EXAMPLES IN EVERY CHAPTER to reinforce key concepts and promote mastery KEY TERMS DEFINITIONS LISTINGS and EXTENSIVE GLOSSARY to help you master the language of networking QUESTIONS PROBLEMS and CRITICAL THINKING QUESTIONS to help you deepen your understanding CD ROM includes Net Challenge Simulation Software and the Wireshark Network Protocol Analyzer Software examples **Sys Admin** ,2005 **MCSE Windows 2000 Network Infrastructure** Dave Bixler,Larry Chambers,Joseph Phillips,2000 Designed for advanced end users network engineers and systems administrators who are seeking to pass exams in pursuit of a Microsoft Windows certification Forthcoming Books Rose Army,2002

Recognizing the quirk ways to acquire this books **Advanced Linux Networking** is additionally useful. You have remained in right site to begin getting this info. acquire the Advanced Linux Networking member that we have enough money here and check out the link.

You could buy lead Advanced Linux Networking or get it as soon as feasible. You could quickly download this Advanced Linux Networking after getting deal. So, following you require the book swiftly, you can straight acquire it. Its thus entirely simple and suitably fats, isnt it? You have to favor to in this look

https://py.bijouxmedusa.com/results/uploaded-files/Download_PDFS/ipsec_virtual_private_network_fundamentals_james_henry_carmouche.pdf

Table of Contents Advanced Linux Networking

1. Understanding the eBook Advanced Linux Networking
 - The Rise of Digital Reading Advanced Linux Networking
 - Advantages of eBooks Over Traditional Books
2. Identifying Advanced Linux Networking
 - Exploring Different Genres
 - Considering Fiction vs. Non-Fiction
 - Determining Your Reading Goals
3. Choosing the Right eBook Platform
 - Popular eBook Platforms
 - Features to Look for in an Advanced Linux Networking
 - User-Friendly Interface
4. Exploring eBook Recommendations from Advanced Linux Networking
 - Personalized Recommendations
 - Advanced Linux Networking User Reviews and Ratings
 - Advanced Linux Networking and Bestseller Lists

5. Accessing Advanced Linux Networking Free and Paid eBooks
 - Advanced Linux Networking Public Domain eBooks
 - Advanced Linux Networking eBook Subscription Services
 - Advanced Linux Networking Budget-Friendly Options
6. Navigating Advanced Linux Networking eBook Formats
 - ePub, PDF, MOBI, and More
 - Advanced Linux Networking Compatibility with Devices
 - Advanced Linux Networking Enhanced eBook Features
7. Enhancing Your Reading Experience
 - Adjustable Fonts and Text Sizes of Advanced Linux Networking
 - Highlighting and Note-Taking Advanced Linux Networking
 - Interactive Elements Advanced Linux Networking
8. Staying Engaged with Advanced Linux Networking
 - Joining Online Reading Communities
 - Participating in Virtual Book Clubs
 - Following Authors and Publishers Advanced Linux Networking
9. Balancing eBooks and Physical Books Advanced Linux Networking
 - Benefits of a Digital Library
 - Creating a Diverse Reading Collection Advanced Linux Networking
10. Overcoming Reading Challenges
 - Dealing with Digital Eye Strain
 - Minimizing Distractions
 - Managing Screen Time
11. Cultivating a Reading Routine Advanced Linux Networking
 - Setting Reading Goals Advanced Linux Networking
 - Carving Out Dedicated Reading Time
12. Sourcing Reliable Information of Advanced Linux Networking
 - Fact-Checking eBook Content of Advanced Linux Networking
 - Distinguishing Credible Sources
13. Promoting Lifelong Learning

- Utilizing eBooks for Skill Development
 - Exploring Educational eBooks
14. Embracing eBook Trends
- Integration of Multimedia Elements
 - Interactive and Gamified eBooks

Advanced Linux Networking Introduction

In the digital age, access to information has become easier than ever before. The ability to download Advanced Linux Networking has revolutionized the way we consume written content. Whether you are a student looking for course material, an avid reader searching for your next favorite book, or a professional seeking research papers, the option to download Advanced Linux Networking has opened up a world of possibilities. Downloading Advanced Linux Networking provides numerous advantages over physical copies of books and documents. Firstly, it is incredibly convenient. Gone are the days of carrying around heavy textbooks or bulky folders filled with papers. With the click of a button, you can gain immediate access to valuable resources on any device. This convenience allows for efficient studying, researching, and reading on the go. Moreover, the cost-effective nature of downloading Advanced Linux Networking has democratized knowledge. Traditional books and academic journals can be expensive, making it difficult for individuals with limited financial resources to access information. By offering free PDF downloads, publishers and authors are enabling a wider audience to benefit from their work. This inclusivity promotes equal opportunities for learning and personal growth. There are numerous websites and platforms where individuals can download Advanced Linux Networking. These websites range from academic databases offering research papers and journals to online libraries with an expansive collection of books from various genres. Many authors and publishers also upload their work to specific websites, granting readers access to their content without any charge. These platforms not only provide access to existing literature but also serve as an excellent platform for undiscovered authors to share their work with the world. However, it is essential to be cautious while downloading Advanced Linux Networking. Some websites may offer pirated or illegally obtained copies of copyrighted material. Engaging in such activities not only violates copyright laws but also undermines the efforts of authors, publishers, and researchers. To ensure ethical downloading, it is advisable to utilize reputable websites that prioritize the legal distribution of content. When downloading Advanced Linux Networking, users should also consider the potential security risks associated with online platforms. Malicious actors may exploit vulnerabilities in unprotected websites to distribute malware or steal personal information. To protect themselves, individuals should ensure their devices have reliable antivirus software installed and validate the legitimacy of the websites they are downloading from. In conclusion, the ability to download Advanced Linux

Networking has transformed the way we access information. With the convenience, cost-effectiveness, and accessibility it offers, free PDF downloads have become a popular choice for students, researchers, and book lovers worldwide. However, it is crucial to engage in ethical downloading practices and prioritize personal security when utilizing online platforms. By doing so, individuals can make the most of the vast array of free PDF resources available and embark on a journey of continuous learning and intellectual growth.

FAQs About Advanced Linux Networking Books

1. Where can I buy Advanced Linux Networking books? Bookstores: Physical bookstores like Barnes & Noble, Waterstones, and independent local stores. Online Retailers: Amazon, Book Depository, and various online bookstores offer a wide range of books in physical and digital formats.
2. What are the different book formats available? Hardcover: Sturdy and durable, usually more expensive. Paperback: Cheaper, lighter, and more portable than hardcovers. E-books: Digital books available for e-readers like Kindle or software like Apple Books, Kindle, and Google Play Books.
3. How do I choose a Advanced Linux Networking book to read? Genres: Consider the genre you enjoy (fiction, non-fiction, mystery, sci-fi, etc.). Recommendations: Ask friends, join book clubs, or explore online reviews and recommendations. Author: If you like a particular author, you might enjoy more of their work.
4. How do I take care of Advanced Linux Networking books? Storage: Keep them away from direct sunlight and in a dry environment. Handling: Avoid folding pages, use bookmarks, and handle them with clean hands. Cleaning: Gently dust the covers and pages occasionally.
5. Can I borrow books without buying them? Public Libraries: Local libraries offer a wide range of books for borrowing. Book Swaps: Community book exchanges or online platforms where people exchange books.
6. How can I track my reading progress or manage my book collection? Book Tracking Apps: Goodreads, LibraryThing, and Book Catalogue are popular apps for tracking your reading progress and managing book collections. Spreadsheets: You can create your own spreadsheet to track books read, ratings, and other details.
7. What are Advanced Linux Networking audiobooks, and where can I find them? Audiobooks: Audio recordings of books, perfect for listening while commuting or multitasking. Platforms: Audible, LibriVox, and Google Play Books offer a wide selection of audiobooks.
8. How do I support authors or the book industry? Buy Books: Purchase books from authors or independent bookstores.

Reviews: Leave reviews on platforms like Goodreads or Amazon. Promotion: Share your favorite books on social media or recommend them to friends.

9. Are there book clubs or reading communities I can join? Local Clubs: Check for local book clubs in libraries or community centers. Online Communities: Platforms like Goodreads have virtual book clubs and discussion groups.
10. Can I read Advanced Linux Networking books for free? Public Domain Books: Many classic books are available for free as they're in the public domain. Free E-books: Some websites offer free e-books legally, like Project Gutenberg or Open Library.

Find Advanced Linux Networking :

ipsec virtual private network fundamentals james henry carmouche

james bastien piano 2

[intuitive cuisine cooking without measurements](#)

~~iveco turbo daily workshop manual~~

~~introduction to mechanical engineering~~

jaws theme

~~java programming book in urdu software s~~

~~jpt n3 vocabulary drill do you know the meanings of~~

[introduction to modern optics fowles solution manual](#)

[isa bus timing diagrams](#)

~~introduction to quantum mechanics second edition instructors solution~~

introduction to organic laboratory techniques microscale

isx cummins engine fault code spn

~~introduction to recreation and leisure 2006 427 pages~~

isbn 978 92 871 7703 2 edqm

Advanced Linux Networking :

rewriting the universe english edition pdf uniport edu - Jan 09 2023

web jun 19 2023 rewriting the universe english edition 1 11 downloaded from uniport edu ng on june 19 2023 by guest

rewriting the universe english edition as recognized adventure as competently as experience virtually lesson amusement as

with ease as union can be gotten by just checking out a books

rewriting the universe english edition kindle edition □□□□ - Jul 15 2023

web feb 10 2016 amazon co jp rewriting the universe english edition ebook parent joseph kindle store

rewriting the universe english edition - Sep 05 2022

web rewriting the universe english edition right here we have countless book rewriting the universe english edition and collections to check out we additionally find the money for variant types and plus type of the books to browse the suitable book fiction history novel scientific research as well as various extra sorts of books

rewriting the universe english edition stephen hawking book - May 13 2023

web rewriting the universe english edition this is likewise one of the factors by obtaining the soft documents of this rewriting the universe english edition by online you might not require more become old to spend to go to the books commencement as

rewriting the universe english edition copy uniport edu - Aug 04 2022

web apr 26 2023 rewriting the universe english edition 1 10 downloaded from uniport edu ng on april 26 2023 by guest

rewriting the universe english edition this is likewise one of the factors by obtaining the soft documents of this rewriting the universe english edition by online you might not require more

rewriting the universe english edition by joseph parent - Feb 10 2023

web rewriting the universe english edition by joseph parent edition part 2 endless universe beyond the big bang by paul j steinhardt the hobbit 1st edition tolkien gateway rewriting magic an exegesis of the visionary the transformers the movie 30th anniversary edition blu pdf mapping beyond measure art cartography and the space dc extended

rewriting the universe english edition pdf uniport edu - Mar 11 2023

web jul 6 2023 rewriting the universe english edition 1 11 downloaded from uniport edu ng on july 6 2023 by guest

rewriting the universe english edition right here we have countless book rewriting the universe english edition and collections to check out we additionally manage to pay for variant types and next type of the books to browse the

rewriting the universe english edition copy uniport edu - Feb 27 2022

web jul 15 2023 rewriting the universe english edition 1 1 downloaded from uniport edu ng on july 15 2023 by guest

rewriting the universe english edition eventually you will unquestionably discover a supplementary experience and capability by spending more cash still when get you understand that you

rewriting the universe english edition kindle edition amazon de - Aug 16 2023

web rewriting the universe english edition ebook parent joseph amazon de kindle store

rewrite anime planet - Jan 29 2022

web okay rewrite is my favorite visual novel made by key it has multiple routes that branches out from the main story episode

1 3 has resemblance but it lacks a certain charm than the main material it s pretty decent nothing else routes became rushed because it only has

[rewriting the universe english edition by joseph parent](#) - Oct 06 2022

web jun 19 2023 selections rewriting the universe english edition by joseph parent that we will absolutely offer using words sentences and paragraphs you will find yourself in pages that you will begin to rewrite the universe

[rewriting the universe english edition henry schwarz](#) - Jun 14 2023

web rewriting the universe english edition as one of the most functioning sellers here will completely be along with the best options to review rewriting reprising georges letissier 2009 10 02 this volume comprises sixteen essays preceded by an introductory chapter focusing on the diverse modalities of textual and more widely artistic transfer

[rewriting the universe english edition by joseph parent](#) - Jun 02 2022

web rewriting the universe english edition by joseph parent rewriting magic an exegesis of the visionary endless universe beyond the big bang rewriting cosmic opinions this is one of trump s biggest and most rewriting the self

rewritingtheuniverseenglishedition rapport bicworld - Mar 31 2022

web rewriting the universe english edition hotroxinviec247 com rewriting the universe english edition men and women in the victorian period this volume is the first to reshape victorian studies from the perspective of the postmodern return to history and is variously influenced by marxism page 2 200 rewriting the universe english edition by joseph

rewriting the past and future of the universe lund university - Jul 03 2022

web aug 24 2023 rewriting the past and future of the universe published 24 august 2023 signals from supernovae bottom right inset quasars middle left inset and gamma ray bursts top center inset reach earth in the milky way galaxy background where we can use them to measure cosmological parameters

[rewritingtheuniverseenglishedition pdf](#) - May 01 2022

web 1 rewritingtheuniverseenglishedition yeah reviewing a ebook rewritingtheuniverseenglishedition could mount up your near links listings this is just one of the

the universe a realistic look at our beginnings rewriting - Nov 07 2022

web apr 4 2018 the universe a realistic look at our beginnings rewriting mankind s cosmic history the new millennium notebooks book 1 kindle edition by hickox norma hickox neil download it once and read it on your kindle device pc phones or tablets

[article rewriter free article spinner for text rewriting](#) - Dec 28 2021

web stop paying for content and start using the free article rewriter now use the online tool or download the app to rewrite content this amazing spinning tool provides 3 options for rewriting the content and to get rid of duplicated content rewrites

the content without changing its context maintains the relativity with the original one

rewriting the universe english edition pdf - Dec 08 2022

web crafted words universe mar 12 2023 marvel at the wonders of the universe from stars and planets to black holes and nebulae in this exploration of our solar system and beyond universe opens with a look at astronomy and the history of the universe using 3d artworks to provide a comprehensive grounding in

rewriting the universe english edition pdf pdf support ortax - Apr 12 2023

web title rewriting the universe english edition pdf pdf support ortax org created date 9 2 2023 8 08 19 pm

[l a tymologie latine en fiches pqr uiaf gov co](#) - Jan 10 2023

web l a tymologie latine en fiches is comprehensible in our digital library an online entrance to it is set as public consequently you can download it instantly our digital library saves in multipart countries allowing you to acquire the most less latency era to download any of our books gone this one merely said the l a tymologie latine en

l a tymologie latine en fiches e journal stp ipi ac - Jun 15 2023

web favorite readings like this l a tymologie latine en fiches but end up in harmful downloads rather than reading a good book with a cup of tea in the afternoon instead they juggled with some harmful virus inside their laptop l a tymologie latine en fiches is available in our digital library an online access to it is set as public so you can

l a tymologie latine en fiches auguste brachet copy - Oct 19 2023

web l a tymologie latine en fiches as recognized adventure as capably as experience not quite lesson amusement as without difficulty as deal can be gotten by just checking out a ebook l a tymologie latine en fiches as well as it is not directly done you could agree to even more more or less this life a propos the world

l a tymologie latine en fiches pdf uniport edu - May 14 2023

web jun 15 2023 l a tymologie latine en fiches 1 8 downloaded from uniport edu ng on june 15 2023 by guest l a tymologie latine en fiches this is likewise one of the factors by obtaining the soft documents of this l a tymologie latine en fiches by online you might not require more get older to spend to go to the books establishment as well as search for

[tympanométrie mesure de la compliance de l oreille moyenne](#) - May 02 2022

web la tympanométrie constitue un examen permettant de détecter les troubles de l oreille moyenne le test évalue la compliance du système tympano ossiculaire soumis à une pression générée dans le conduit auditif externe

l a tymologie latine en fiches pdf uniport edu - Jan 30 2022

web mar 10 2023 l a tymologie latine en fiches 1 5 downloaded from uniport edu ng on march 10 2023 by guest l a tymologie latine en fiches this is likewise one of the factors by obtaining the soft documents of this l a tymologie latine en fiches by online you might not require more times to spend to go to the books creation as without

[l a tymologie latine en fiches pdf uniport edu](#) - Dec 09 2022

web jul 27 2023 savoureuses ce livre vous invite la dcouverte des origines de la langue franaise 40 fiches d tymologie latine 36 fiches d tymologie grecque un lexique de 266 mots insolites dictionnaire d etymologie francaise d apres les resultats de la science moderne auguste scheler 1873

l a tymologie latine en fiches adrien lalanne book - Mar 12 2023

web feb 26 2023 tymologie latine en fiches below l tymologie latine en fiches michel rival 2014 05 13 les franais auraient pu parler une langue celtique ou mme quelques sicles plus tard une langue germanique l histoire en a dcid autrement comme nous le montre cet ouvrage compos de 40 fiches d tymologie latine ludiques et interactives qui

l a tymologie latine en fiches copy uniport edu - Jun 03 2022

web jul 15 2023 traitant un par un les termes les plus usuels de la littérature médiévale et les plus susceptibles de faire l objet d une question aux concours ces fiches sont structurées suivant le modèle attendu

l a tymologie latine en fiches pdf uniport edu - Dec 29 2021

web jun 27 2023 l a tymologie latine en fiches 1 6 downloaded from uniport edu ng on june 27 2023 by guest l a tymologie latine en fiches when somebody should go to the books stores search opening by shop shelf by shelf it is in reality problematic this is why we present the books compilations in this website it will categorically ease you to

l a tymologie latine en fiches pqr uiaf gov co - Feb 11 2023

web merely said the l a tymologie latine en fiches is universally compatible when any devices to read l étymologie en fiches michel rival 2016 06 14 comment le vocabulaire français est il né comment a t il évolué et continue t il d évoluer a travers des anecdotes insolites de nombreux

downloadable free pdfs l a tymologie latine en fiches - Jul 16 2023

web l histoire en a décidé autrement comme nous le montre cet ouvrage composé de 40 fiches d étymologie latine ludiques et interactives qui démontrent l influence majeure du latin dans nos mots et expressions du quotidien À travers des anecdotes insolites de nombreux quiz et des illustrations

l a tymologie latine en fiches 2022 secure mowtampa - Sep 18 2023

web mémoire sur l origine de la famille royale et sur le lieu qui lui a servi de berceau offert à sa majesté charles x 1826 manuscrit inédit publié et précédé d une étude sur la vie et les œuvres de l auteur

tympanométrie wikipedia - Jul 04 2022

web examen tympanométrique la tympanométrie est un examen médical utilisé pour déterminer les conditions de l oreille moyenne du tympan et de la conduction osseuse en créant des variations de pressions d air dans le canal auditif cet examen n est pas considéré comme un test d audition à proprement parler mais plutôt une mesure de la

l a tymologie latine en fiches adrien lalanne book - Nov 27 2021

web we present l a tymologie latine en fiches and numerous book collections from fictions to scientific research in any way accompanied by them is this l a tymologie latine en fiches that can be your partner les puissances de l imagination marie aude de langenhagen 2006 dictionnaire de l armée de terre etienne alexandre bardin 1800

test de l oreille moyenne tympanométrie qu est ce qu un test de l - Aug 05 2022

web lors du test de l oreille moyenne ou tympanométrie l audioprothésiste teste l état de l oreille moyenne et la mobilité du tympan après avoir introduit une petite sonde dans l oreille du patient le spécialiste lui fait écouter différents sons tout en augmentant ou en diminuant la pression dans l oreille

l a tymologie latine en fiches emile littré - Oct 07 2022

web jun 13 2023 d accéder à la connaissance vraie l apologie de la religion chrétienne et la charité comme fondement de la morale enfin après un bref résumé de l analyse dans lequel on se focalise sur l essentiel on trouve des citations assorties d explications À propos de la collection lepetitphilosophe fr destinée avant

l a tymologie latine en fiches pdf ftp orioleresources - Sep 06 2022

web l a tymologie latine en fiches dictionnaire d étymologie française the oxford latin syntax la filologia greca e latina nel secolo xx le latin de la décadence et la grammaire latine dans les écoles normales primaires a bibliography of english etymology grammaire latine

audiométrie audiométrie vocale et tonale distinction et définition - Apr 01 2022

web l audiométrie tonale qui permet d évaluer le seuil de perception du son l audiométrie vocale qui permet de déterminer la compréhension du langage et la capacité à discriminer les

l a tymologie latine en fiches adrien lalanne copy - Apr 13 2023

web objectif bts gpme fiches tout en un jacqueline thédié 2022 01 19 les fiches indispensables pour réviser et réussir le bts gpme 183 fiches de révision claires et visuelles tous les rappels de cours pour retenir l essentiel des schémas pour mémoriser en un clin d œil des définitions claires à connaître des exemples concrets

[l a tymologie latine en fiches pdf uniport edu](#) - Nov 08 2022

web l a tymologie latine en fiches 1 4 downloaded from uniport edu ng on may 27 2023 by guest l a tymologie latine en fiches right here we have countless ebook l a tymologie latine en fiches and collections to check out we additionally allow variant types and furthermore type of the books to browse the up to standard book

[comment lire une tympanometrie sagesréponses](#) - Feb 28 2022

web aug 29 2021 comment lire une tympanometrie principes de la tympanométrie le type a est considéré comme normal le type b est une ligne plate clairement anormale démontrant une diminution de la mobilité tympanique le type c indique une

pression négative significative dans l'oreille moyenne pouvant indiquer plusieurs pathologies

la typologie latine en fiches pdf pdf support ortax - Aug 17 2023

web la typologie latine en fiches pdf introduction la typologie latine en fiches pdf pdf title la typologie latine en fiches pdf pdf support ortax org created date 9 21 2023 6 06 12 am

diamond are a girls best gift country christmas book 4 by - Jun 06 2023

web diamond are a girls best gift 2019 the fourth book in the country christmas series a novella by brenda clemmons

diamonds are a girl s best friend sung by ryan kelly - May 25 2022

web lyrics included in description diamonds are a girls best friend you tube oceneezi2lqa kiss on the hand may be quite continental but diamonds are a gi

diamonds are a girl s best friend right not this holiday season - Nov 30 2022

web dec 8 2020 personalised presents are set to be one of the hottest christmas 2020 gift giving trends perhaps the personalised made with love labels fulfil a need to connect with loved ones after a year

45 best christmas gift ideas for country girls 2023 - Sep 09 2023

web nov 7 2022 christmas gift ideas for a country girl can vary depending on if they love fashion or enjoy riding horses if your best friend is a country girl the perfect gift for them may be in this guide these gifts are essential and inexpensive but will make a country girl s day here s the scoop on christmas gift ideas for a country girl

country christmas romance ser diamond are a girls best gift - May 05 2023

web find many great new used options and get the best deals for country christmas romance ser diamond are a girls best gift by brenda clemmons and katie wyatt 2019 trade paperback at the best online prices at ebay free shipping for many products

nicole kidman diamonds are a girls best friend lyrics - Mar 23 2022

web talk to me harry zidler tell me all about it there may come a time when a lass needs a lawyer but diamonds are a girls best friend there may come a time when a hard boiled employer thinks your awful nice but get that ice or else no dice he s your guy when stocks are high but beware when they start to descend

diamond are a girls best gift by brenda clemmons goodreads - Jul 07 2023

web the road to true love is anything but easy so hold onto your hats and get ready for a bumpy ride country christmas romance book 1 home for christmas gift book 2 unexpected gift book 3 sweet gift book 4 diamond are a girls best gift book 5 surprise gift read all the book by bestselling authors brenda clemmons and katie wyatt snowy

diamonds are a girl s best friend by ethel merman songfacts - Jun 25 2022

web anna nicole smith also channeled marilyn for her diamonds are a girl s best friend single in 1998 and in 2004 dressed as marilyn lorelai for a peta ad campaign stating gentlemen prefer fur free blondes australian pop singer kylie minogue covered

the song in 1995 and then re recorded it in 2004 for the film white diamond

[rita williams diamonds are a girl s best friend 1964](#) - Feb 19 2022

web mar 28 2018 music by jule styne and lyrics by leo robin orchestra conducted by johnny douglas written for the
broadway show gentlemen prefer blondes 1949

amazon com diamond are a girls best gift country christmas - Oct 10 2023

web jan 1 2019 amazon com diamond are a girls best gift country christmas romance series book 4 ebook clemmons brenda
wyatt katie kindle store

diamonds are a girls best friend jewelry etsy - Feb 02 2023

web free shipping personalized initial tag necklace heart necklace custom name necklace gifts for her anniversary gift
monogram christmas gift for her 1 2k 70 00 free shipping diamonds clipart bundle diamonds png sparkle glitter diamonds
jewellery clipart glam diamond clipart diamond clipart overlays 16 4 61 7 10 35 off

why a diamond is the best christmas gift - Jan 01 2023

web reasons why a diamond is the best christmas gift for her show your girlfriend wife mom or sister how much you care
with this unique and special gift idea

diamonds are a girl s best friend youtube - Apr 23 2022

web jan 9 2019 provided to youtube by universal music group diamonds are a girl s best friend carol channing lorelei 2003
universal classics group a division of umg recor

diamonds are a girl s best friend live youtube - Sep 28 2022

web aug 24 2018 show more provided to youtube by universal music group diamonds are a girl s best friend live laura fygi
at ronnie scott s universal music 2003 universal international music b v

ashley park diamonds are a girl s best friend lyrics genius - Oct 30 2022

web dec 31 2021 chorus 1 a kiss on the hand may be quite continental but diamonds are a girl s best friend a kiss may be
grand but it won t pay the rental on your humble flat or help you at the automat men grow

diamonds are a girl s best friend wiktionary - Aug 28 2022

web proverb edit diamonds are a girl s best friend while love is a luxury material wealth particularly jewellery is more
valuable to a girl

reasons why diamonds are a girl s best friend our culture - Mar 03 2023

web november 17 2022 most women know that diamonds are a girl s best friend but what many don t realize is that there are
several reasons why diamonds make such an excellent gift for any occasion you don t have to spend a fortune to find
beautiful diamonds

diamond are a girls best etsy - Apr 04 2023

web check out our diamond are a girls best selection for the very best in unique or custom handmade pieces from our t shirts shops

diamond are a girls best gift country christmas r - Jul 27 2022

web diamond are a girls best gift country christmas r the games black girls play mar 03 2022 award finalist when we think of african american popular music our first thought is probably not of double dutch girls bouncing between two twirling ropes keeping time to the tick tat under their toes amy gentry s propulsive and suspenseful

diamond are a girls best gift 4 country christmas romance - Aug 08 2023

web buy diamond are a girls best gift 4 country christmas romance series by clemmons brenda wyatt katie from amazon s fiction books store everyday low prices on a huge range of new releases and classic fiction