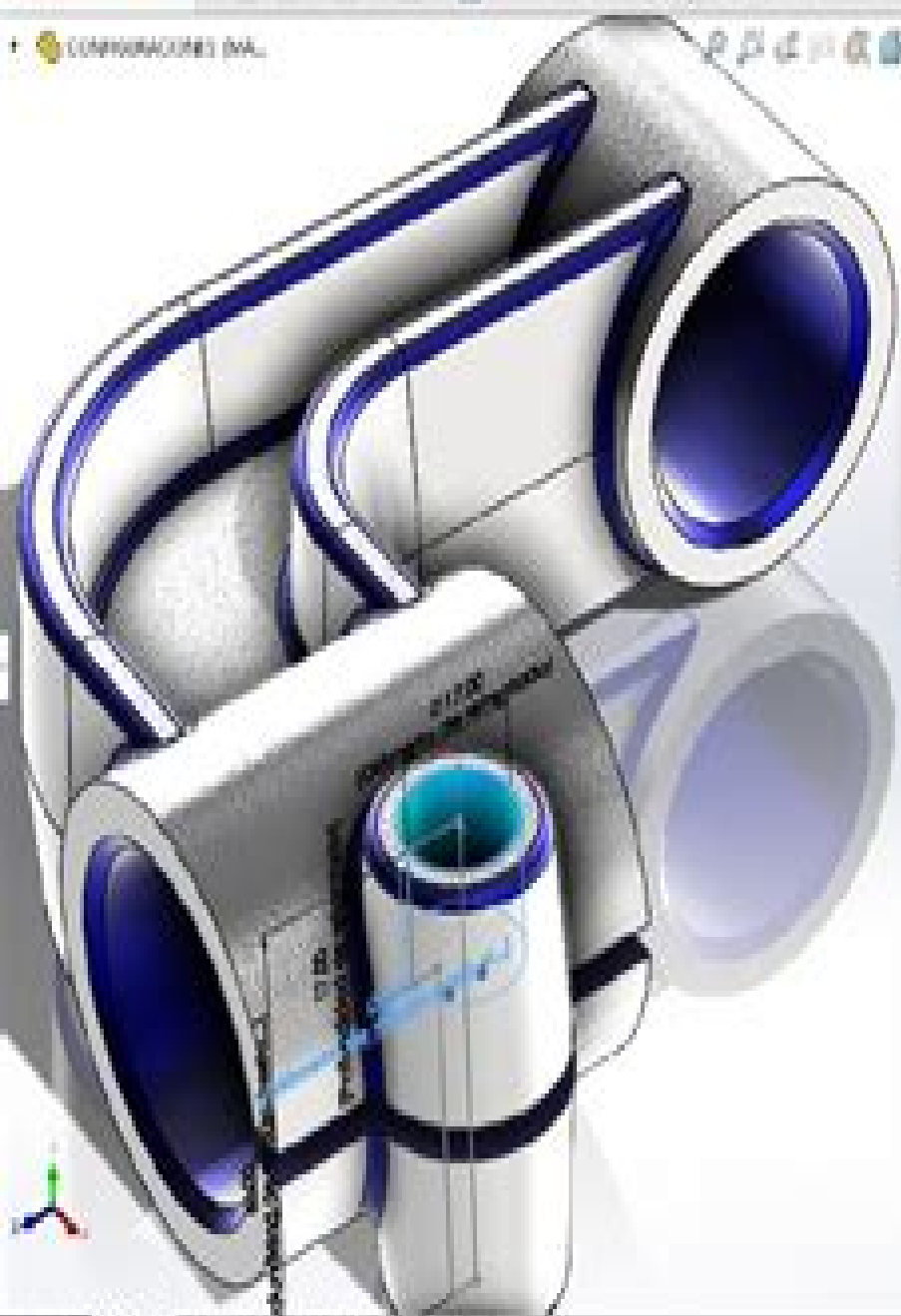


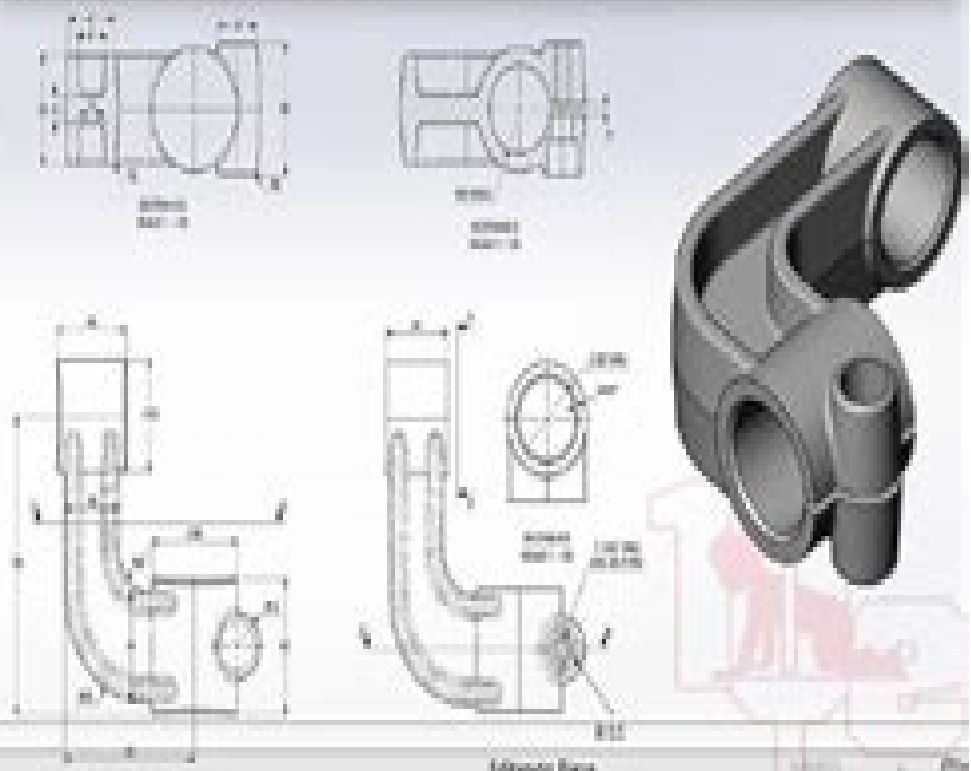
# CSWP!!



Modificar configuraciones

Configuración	Estado
Nombre	Aluminio de calidad baja en aluminio
Propiedades	1.00mm
RECOMENDADO	1.00mm

Actualizar Cancelar Opciones Ayuda



# Advanced Solidworks Cswp

**Shasha Hu**



## **Advanced Solidworks Cswp:**

When people should go to the book stores, search opening by shop, shelf by shelf, it is in point of fact problematic. This is why we allow the ebook compilations in this website. It will no question ease you to look guide **Advanced Solidworks Cswp** as you such as.

By searching the title, publisher, or authors of guide you truly want, you can discover them rapidly. In the house, workplace, or perhaps in your method can be all best area within net connections. If you object to download and install the Advanced Solidworks Cswp, it is enormously simple then, before currently we extend the link to purchase and make bargains to download and install Advanced Solidworks Cswp for that reason simple!

[https://py.bijouxmedusa.com/files/detail/HomePages/Unfinished\\_Nation\\_A\\_Concise\\_History\\_Seventh\\_Edition.pdf](https://py.bijouxmedusa.com/files/detail/HomePages/Unfinished_Nation_A_Concise_History_Seventh_Edition.pdf)

## **Table of Contents Advanced Solidworks Cswp**

1. Understanding the eBook Advanced Solidworks Cswp
  - The Rise of Digital Reading Advanced Solidworks Cswp
  - Advantages of eBooks Over Traditional Books
2. Identifying Advanced Solidworks Cswp
  - Exploring Different Genres
  - Considering Fiction vs. Non-Fiction
  - Determining Your Reading Goals
3. Choosing the Right eBook Platform
  - Popular eBook Platforms
  - Features to Look for in an Advanced Solidworks Cswp
  - User-Friendly Interface
4. Exploring eBook Recommendations from Advanced Solidworks Cswp
  - Personalized Recommendations
  - Advanced Solidworks Cswp User Reviews and Ratings
  - Advanced Solidworks Cswp and Bestseller Lists

5. Accessing Advanced Solidworks Cswp Free and Paid eBooks
  - Advanced Solidworks Cswp Public Domain eBooks
  - Advanced Solidworks Cswp eBook Subscription Services
  - Advanced Solidworks Cswp Budget-Friendly Options
6. Navigating Advanced Solidworks Cswp eBook Formats
  - ePub, PDF, MOBI, and More
  - Advanced Solidworks Cswp Compatibility with Devices
  - Advanced Solidworks Cswp Enhanced eBook Features
7. Enhancing Your Reading Experience
  - Adjustable Fonts and Text Sizes of Advanced Solidworks Cswp
  - Highlighting and Note-Taking Advanced Solidworks Cswp
  - Interactive Elements Advanced Solidworks Cswp
8. Staying Engaged with Advanced Solidworks Cswp
  - Joining Online Reading Communities
  - Participating in Virtual Book Clubs
  - Following Authors and Publishers Advanced Solidworks Cswp
9. Balancing eBooks and Physical Books Advanced Solidworks Cswp
  - Benefits of a Digital Library
  - Creating a Diverse Reading Collection Advanced Solidworks Cswp
10. Overcoming Reading Challenges
  - Dealing with Digital Eye Strain
  - Minimizing Distractions
  - Managing Screen Time
11. Cultivating a Reading Routine Advanced Solidworks Cswp
  - Setting Reading Goals Advanced Solidworks Cswp
  - Carving Out Dedicated Reading Time
12. Sourcing Reliable Information of Advanced Solidworks Cswp
  - Fact-Checking eBook Content of Advanced Solidworks Cswp
  - Distinguishing Credible Sources
13. Promoting Lifelong Learning

- Utilizing eBooks for Skill Development
  - Exploring Educational eBooks
14. Embracing eBook Trends
- Integration of Multimedia Elements
  - Interactive and Gamified eBooks

### **Advanced Solidworks Cswp Introduction**

Advanced Solidworks Cswp Offers over 60,000 free eBooks, including many classics that are in the public domain. Open Library: Provides access to over 1 million free eBooks, including classic literature and contemporary works. Advanced Solidworks Cswp Offers a vast collection of books, some of which are available for free as PDF downloads, particularly older books in the public domain. Advanced Solidworks Cswp : This website hosts a vast collection of scientific articles, books, and textbooks. While it operates in a legal gray area due to copyright issues, its a popular resource for finding various publications. Internet Archive for Advanced Solidworks Cswp : Has an extensive collection of digital content, including books, articles, videos, and more. It has a massive library of free downloadable books. Free-eBooks Advanced Solidworks Cswp Offers a diverse range of free eBooks across various genres. Advanced Solidworks Cswp Focuses mainly on educational books, textbooks, and business books. It offers free PDF downloads for educational purposes. Advanced Solidworks Cswp Provides a large selection of free eBooks in different genres, which are available for download in various formats, including PDF. Finding specific Advanced Solidworks Cswp, especially related to Advanced Solidworks Cswp, might be challenging as theyre often artistic creations rather than practical blueprints. However, you can explore the following steps to search for or create your own Online Searches: Look for websites, forums, or blogs dedicated to Advanced Solidworks Cswp, Sometimes enthusiasts share their designs or concepts in PDF format. Books and Magazines Some Advanced Solidworks Cswp books or magazines might include. Look for these in online stores or libraries. Remember that while Advanced Solidworks Cswp, sharing copyrighted material without permission is not legal. Always ensure youre either creating your own or obtaining them from legitimate sources that allow sharing and downloading. Library Check if your local library offers eBook lending services. Many libraries have digital catalogs where you can borrow Advanced Solidworks Cswp eBooks for free, including popular titles. Online Retailers: Websites like Amazon, Google Books, or Apple Books often sell eBooks. Sometimes, authors or publishers offer promotions or free periods for certain books. Authors Website Occasionally, authors provide excerpts or short stories for free on their websites. While this might not be the Advanced Solidworks Cswp full book , it can give you a taste of the authors writing style. Subscription Services Platforms like Kindle Unlimited or Scribd offer subscription-based access to a wide range of Advanced Solidworks Cswp eBooks, including some popular titles.

## FAQs About Advanced Solidworks Cswp Books

How do I know which eBook platform is the best for me? Finding the best eBook platform depends on your reading preferences and device compatibility. Research different platforms, read user reviews, and explore their features before making a choice. Are free eBooks of good quality? Yes, many reputable platforms offer high-quality free eBooks, including classics and public domain works. However, make sure to verify the source to ensure the eBook credibility. Can I read eBooks without an eReader? Absolutely! Most eBook platforms offer webbased readers or mobile apps that allow you to read eBooks on your computer, tablet, or smartphone. How do I avoid digital eye strain while reading eBooks? To prevent digital eye strain, take regular breaks, adjust the font size and background color, and ensure proper lighting while reading eBooks. What the advantage of interactive eBooks? Interactive eBooks incorporate multimedia elements, quizzes, and activities, enhancing the reader engagement and providing a more immersive learning experience. Advanced Solidworks Cswp is one of the best book in our library for free trial. We provide copy of Advanced Solidworks Cswp in digital format, so the resources that you find are reliable. There are also many Ebooks of related with Advanced Solidworks Cswp. Where to download Advanced Solidworks Cswp online for free? Are you looking for Advanced Solidworks Cswp PDF? This is definitely going to save you time and cash in something you should think about. If you trying to find then search around for online. Without a doubt there are numerous these available and many of them have the freedom. However without doubt you receive whatever you purchase. An alternate way to get ideas is always to check another Advanced Solidworks Cswp. This method for see exactly what may be included and adopt these ideas to your book. This site will almost certainly help you save time and effort, money and stress. If you are looking for free books then you really should consider finding to assist you try this. Several of Advanced Solidworks Cswp are for sale to free while some are payable. If you arent sure if the books you would like to download works with for usage along with your computer, it is possible to download free trials. The free guides make it easy for someone to free access online library for download books to your device. You can get free download on free trial for lots of books categories. Our library is the biggest of these that have literally hundreds of thousands of different products categories represented. You will also see that there are specific sites catered to different product types or categories, brands or niches related with Advanced Solidworks Cswp. So depending on what exactly you are searching, you will be able to choose e books to suit your own need. Need to access completely for Campbell Biology Seventh Edition book? Access Ebook without any digging. And by having access to our ebook online or by storing it on your computer, you have convenient answers with Advanced Solidworks Cswp To get started finding Advanced Solidworks Cswp, you are right to find our website which has a comprehensive collection of books online. Our library is the biggest of these that have literally hundreds of thousands of different products represented. You will also see that there are specific sites catered to different categories or niches related with Advanced Solidworks Cswp So depending on what exactly you are searching, you will be able to choose

ebook to suit your own need. Thank you for reading Advanced Solidworks Cswp. Maybe you have knowledge that, people have search numerous times for their favorite readings like this Advanced Solidworks Cswp, but end up in harmful downloads. Rather than reading a good book with a cup of coffee in the afternoon, instead they juggled with some harmful bugs inside their laptop. Advanced Solidworks Cswp is available in our book collection an online access to it is set as public so you can download it instantly. Our digital library spans in multiple locations, allowing you to get the most less latency time to download any of our books like this one. Merely said, Advanced Solidworks Cswp is universally compatible with any devices to read.

**Find Advanced Solidworks Cswp :**

*unfinished nation a concise history seventh edition*  
*toyota avensis*

**turning tables housewife inmate again**

triple integration with maple uconn

twelve pillars jim rohn

**topics in number theory algebra and geometry**

toyota hilux turbo diesel workshop manual

turbo 350 assembly manual

**transmission network expansion planning for the**

*tiger team 4 primaria macmillan 2013*

tony gaddis visual basic program challenge solutions

**traveller level b2 test 1 mybooklibrary**

tsume puzzles for japanese chess introduction to shogi mating riddles

**transport phenomena in biological systems**

**troubleshooting a 3y toyota engine**

**Advanced Solidworks Cswp :**

*wege zu cicero per aspera ad astra intensivkurs fur studierende zur - Jan 28 2022*

web buy wege zu cicero per aspera ad astra intensivkurs fur studierende zur vorbereitung auf die cicerolekture by roland glaesser online at alibris we have new and used copies available in 1 editions starting at 40 21 shop now

*wege zu cicero per aspera ad astra intensivkurs f full pdf* - Nov 06 2022

web wege zu cicero per aspera ad astra intensivkurs f zum 10 buch des quintilian by f becher progr k gymn zu aurich cicero s ausgewaehlte reden cicero präparation zu cicero s werken m tullius cicero m tullii ciceronis orationes ciceros ausgewaehlte reden präparation zu cicero s werken i cato maior ii laelius iii die

*wege zu cicero by roland glaesser open library* - Feb 09 2023

web jan 1 2012 source title wege zu cicero per aspera ad astra intensivkurs f r studierende zur vorbereitung auf die cicerolekt re sprachwissenschaftliche studienbuecher 1 abteilung german edition

**wege zu cicero per aspera ad astra intensivkurs f r studierende zur** - Jun 13 2023

web jan 1 2012 amazon com wege zu cicero per aspera ad astra intensivkurs f r studierende zur vorbereitung auf die cicerolekt re sprachwissenschaftliche studienbuecher 1 abteilung german edition 9783825359850 glaesser roland books books literature fiction history criticism buy new 34 01 select delivery location

*wege zu cicero per aspera ad astra intensivkurs f r studierende zur* - Mar 10 2023

web wege zu cicero per aspera ad astra intensivkurs f r studierende zur vorbereitung auf die cicerolekt re sprachwissenschaftliche studienbuecher 1 abteilung german edition softcover

**wege zu cicero per aspera ad astra intensivkurs für studierende zur** - Jul 02 2022

web wege zu cicero per aspera ad astra intensivkurs für studierende zur vorbereitung auf die cicerolektüre sprachwissenschaftliche studienbücher glaesser roland amazon de books books literature fiction history criticism buy new 19 00 prices for items sold by amazon include vat

*wege zu cicero per aspera ad astra intensivkurs für studierende zur* - Apr 11 2023

web wege zu cicero per aspera ad astra intensivkurs für studierende zur vorbereitung auf die cicerolektüre deutsche digitale bibliothek standard suche suche in objekte

**cinii □□ wege zu cicero per aspera ad astra intensivkurs** - Apr 30 2022

web wege zu cicero per aspera ad astra intensivkurs für studierende zur vorbereitung auf die cicerolektüre roland glaesser sprachwissenschaftliche studienbücher universitätsverlag winter c2007

**wege zu cicero per zvab** - Sep 04 2022

web wege zu cicero per aspera ad astra intensivkurs für studierende zur vorbereitung auf die cicerolektüre sprachwissenschaftliche studienbuecher 1 abteilung von glaesser roland und eine große auswahl ähnlicher bücher kunst

*glaesser wege zu cicero 4 auflage 2023 beck shop de* - Aug 15 2023

web wege zu cicero per aspera ad astra intensivkurs für studierende zur vorbereitung auf die cicerolektüre

*wege zu cicero per aspera ad astra intensivkurs f ralph w* - Jun 01 2022

web right here we have countless book wege zu cicero per aspera ad astra intensivkurs f and collections to check out we additionally have the funds for variant types and along with type of the books to browse

[wege zu cicero per aspera ad astra intensivkurs fur studierende zur](#) - Mar 30 2022

web wege zu cicero book read reviews from world s largest community for readers intensiv und gezielt auf die cicero lektüre vorbereiten das ist das mott

**roland glaesser wege zu cicero per aspera ad astra** - Aug 03 2022

web rezeption zu roland glaesser wege zu cicero per aspera ad astra intensivkurs für studierende zur vorbereitung auf die cicerolektüre heidelberg winter 2007 218 xxxiii s isbn 978 3 8253 5346 9

[wege zu cicero per aspera ad astra booklooker](#) - Jan 08 2023

web wege zu cicero per aspera ad astra intensivkurs für studierende zur vorbereitung auf die cicerolektüre sprachwissenschaftliche studienbücher roland glaesser universitätsverlag winter gmbh heidelberg 2012 taschenbuch isbn 9783825359850 zustand leichte gebrauchsspuren

[wege zu cicero per aspera ad astra intensivkurs für studierende zur](#) - Feb 26 2022

web wege zu cicero per aspera ad astra intensivkurs kaufen über 750 000 artikel im online shop geprüfte qualität günstige preise schneller versand jetzt kaufen

[read free wege zu cicero per aspera ad astra intensivkurs f](#) - Dec 27 2021

web wege zu cicero per aspera ad astra intensivkurs f per aspera ad astra dec 16 2019 to the stars per aspera ad astra through hardship to the stars these words remind of preserverance against all odds they assure that at the end there is a reward worth fighting for hardship will not defeat you

[wege zu cicero per aspera ad astra intensivkurs für studierende zur](#) - May 12 2023

web wege zu cicero per aspera ad astra intensivkurs für studierende zur vorbereitung auf die cicerolektüre sprachwissenschaftliche studienbücher glaesser roland isbn 9783825354756 kostenloser versand für alle bücher

**per aspera ad astra wege zu cicero lektion 1 quizlet** - Oct 05 2022

web start studying per aspera ad astra wege zu cicero lektion 1 learn vocabulary terms and more with flashcards games and other study tools

**wege zu cicero per aspera ad astra intensivkurs fur studierende zur** - Jul 14 2023

web wege zu cicero per aspera ad astra intensivkurs fur studierende zur vorbereitung auf die cicerolektüre sprachwissenschaftliche studienbücher 1 abteilung glaesser roland amazon com tr kitap

**per aspera ad astra wege zu cicero lektion 20a quizlet** - Dec 07 2022

web study with quizlet and memorize flashcards containing terms like quaerere quaero quaesivi quaesitum illustris is e

inimicitiae arum f and more

**kia rio 2005 2006 2007 2008 2009 2010 2011 service manual** - Oct 24 2021

**kia rio zapp 2006 workshop manual pdf** - Apr 29 2022

web kia rio zapp 2006 workshop manual author laurenz schierokauer from erp ecomobi com subject kia rio zapp 2006 workshop manual keywords

**kia rio 2007 service manual pdf workshop repair yumpu** - Aug 02 2022

web kia rio zapp 2006 workshop manual decoding kia rio zapp 2006 workshop manual revealing the captivating potential of verbal expression in a time characterized by

**kia rio zapp 2006 workshop manual home rightster com** - Jan 27 2022

web 9 99 get your hands on the complete kia factory workshop software download now check out our popular kia rio manuals below kia rio workshop manual 1998

*kia rio zapp 2006 workshop manual full pdf* - May 31 2022

web kia rio zapp 2006 workshop manual menu home translate read online british force motorcycles 1925 1945 hardcover betty crocker the big book of cookies add comment

**kia rio zapp 2006 workshop manual full pdf zuzutop com** - Sep 03 2022

web apr 8 2023 computer kia rio zapp 2006 workshop manual is easily reached in our digital library an online access to it is set as public correspondingly you can download it instantly

**kia rio zapp 2006 workshop manual** - Dec 26 2021

web mar 17 2015 attention your epaper is waiting for publication by publishing your document the content will be optimally indexed by google via ai and sorted into the right

[kia rio 2006 2012 factory repair manual factory](#) - Mar 09 2023

web view and download kia rio 2006 owner s manual online rio 2006 automobile pdf manual download

[kia rio free workshop and repair manuals](#) - Aug 14 2023

web kia rio workshop manuals and repair manuals every manual available online found by our community and shared for free enjoy kia rio the kia rio is a subcompact car

**kia rio service repair manual kia rio pdf** - Apr 10 2023

web kia rio workshop manual 1998 2006 kia rio5 workshop manual l4 1 6l 2006 1998 2006 kia rio 4 cylinders 3 1 6l fi dohc 33065701 kia rio workshop

**kia rio repair service manuals 187 pdf s** - Dec 06 2022

web mar 22 2023 this kia rio 2006 workshop service manual for repair ca038983 is an electronic manual presented for you in electronic format and can be printed out easily

**kia rio zapp 2006 workshop manual** - Mar 29 2022

web kia rio zapp 2006 workshop manual may 8th 2018 download the free trial version below to get started double click the downloaded file to install the software le live

*kia rio 2006 workshop service manual for repair ca038983* - Oct 04 2022

web kia rio 2007 service manual pdf workshop

[kia rio 2006 workshop service repair manual ca038003](#) - Nov 05 2022

web install the kia rio zapp 2006 workshop manual it is unquestionably simple then since currently we extend the associate to purchase and create bargains to download and

**kia rio workshop manual 2006 2009 onlymanuals** - Nov 24 2021

web mar 17 2015 kia rio 2007 service manual pdf workshop repair 17 03 2015 views share embed flag

**kia rio zapp 2006 workshop manual pdf uniport edu** - Jul 01 2022

web kia rio zapp 2006 workshop manual unveiling the power of verbal beauty an psychological sojourn through kia rio zapp 2006 workshop manual in a world

*kia rio zapp 2006 workshop manual erp ecomobi com* - Feb 25 2022

web kia rio zapp 2006 workshop manual film streaming gratuit hd en vf et vostfr série et manga gender recognition on dutch tweets pdf docplayer nl finland helsinki

**kia rio workshop manual 2006 2009 onlymanuals** - Feb 08 2023

web in the table below you can see 1 rio workshop manuals 0 rio owners manuals and 17 miscellaneous kia rio downloads our most popular manual is the 1998 2006 kia

*kia rio 2007 service manual pdf workshop repair yumpu* - Sep 22 2021

**kia rio 2006 owner s manual pdf download** - Jan 07 2023

web kia rio 2006 service repair manual pdf covers every single detail on your machine and provides step by step instructions based on the complete disassembly of the machine

**2006 kia rio service repair manuals pdf download** - Jul 13 2023

web jun 7 2008 kia rio service repair manual 2006 2007 2008 download kia rio service repair manual 2006 2007 2008 download kia rio rio5

**kia rio workshop manual free pdf download all** - Jun 12 2023

web mar 17 2015 kia rio 2006 service manual pdf workshop repair xx english deutsch français español português italiano român nederlands latina dansk svenska norsk

**kia rio 2006 service manual pdf workshop repair yumpu** - May 11 2023

web sep 6 2015 kia rio 2006 2007 2008 2009 2010 2011 2012 factory repair manual click here for more info about it kia rio jb ub 2006 2007 2008 2009 2010 2011 2012

**where to download audi mmi software update** - Jun 01 2022

web jul 9 2023 1 cost effective solution at upgrademyaudi net you can find audi mmi software updates at a significantly lower cost compared to purchasing them from an audi dealership the website offers competitive pricing allowing you to save money while still benefiting from the latest software enhancements for your mmi system 2 wide

**audi a3 how to perform a software update to the mmi** - Aug 15 2023

web mar 23 2016 audi a3 how to perform a software update to the mmi updates for the multimedia and navigation system in your 2013 present audi 8v a3 may be available here s how to check online

**audi resource updating firmware** - Nov 06 2022

web firmware versions to see the latest firmware version available for your region click here the upgrade procedure unload your cd player of all disks the audi manual on this says that a backup power source should be connected to your battery instead of this most people just leave the engine running

audi mmi update firmware and software upgrademyaudi net - Jun 13 2023

web audi mmi update firmware and software looking for latest audi software update you re in the right place we offer audi mmi updates for all regions from usa to australia compatible with all popular audi models and mmi types check out our firmware and map updates and upgrade your audi

**free audi mmi maps and speedcams update 2022 2023** - Oct 05 2022

web aug 24 2022 carhacking free audi mmi maps and speedcams update 2022 2023 update audi maps and speedcams for free files and steps are included for maps 2022 2023 all without the need for obdeleven or vcds this process will work for other vag cars too not just audi andy gill aug 24 2022 8 min read

how to update the firmware on an audi mmi 3g plus high or - Jul 02 2022

web feb 7 2023 first of all you need to have correct firmware update you can buy a copy from us just remember to get correct firmware if you don t know what type of mmi you have you can read this manual click or just contact us do not forget to add your current firmware version

**audi mmi 3g 2023 map update 6 36 0 8r0051884kl carsie net** - Mar 10 2023

web mar 17 2023 audi has just released new map update for europe mmi 3g plus and high systems map version 6 36 0

product number 8r0051884kl this is 2023 final version how to check what mmi system you have please click here 6 36 0 europe mmi 3g high plus map update mmi 3g plus 6 36 0 europe map update mmi 3g high 6 36 0 europe [check updates myaudi.org](#) - Aug 03 2022

web audi a5 mmi updates audi a5 europe updates audi a5 usa canada and mexico updates audi a5 rest of world updates audi a6 mmi updates audi a6 europe updates audi a6 usa canada and mexico updates audi a6 rest of world updates audi a7 mmi updates audi a7 europe updates audi a7 usa canada and mexico

**audi mmi updates online store software and map updates** - Apr 30 2022

web among the options are updates to audi firmware for mmi 2g certain mmi 3g models mib1 and more europe the united states canada mexico australia new zealand south africa singapore and the middle east all have updates to their maps for audi audi carplay and android auto modules

**how to update mmi software audiworld forums** - Feb 09 2023

web oct 1 2017 audi a3 how to perform a software update to the mmi audiworld but it seems outdated and the my audi website is different now compared to the screenshots directions provided i feel like my mmi system is on an older version and wanted to update myself but i am not sure how to verify that or even download the [mmi software update audi mmi update firmware audi mib bg](#) - Jan 28 2022

web the mmi system in your audi is like your notebook just smaller every once in a while there is mmi software update released that fixes discovered bugs and or adds new functionality we can provide latest software updates for your system so you can have the best out of it

**audi mmi updates carplay android auto 2023 maps** - Sep 04 2022

web thenavman.com specialise in audi mmi systems including carplay android auto 2023 maps software updates

**update your audi 2023 audi software and map updates** - Apr 11 2023

web aug 22 2023 are you in need of the latest audi firmware software update for your mmi look no further than our comprehensive collection of audi mmi updates we provide firmware updates for all mmi types and regions including the usa canada mexico europe australia new zealand the middle east south africa singapore and the rest

**mmi update software audi sport net** - Jul 14 2023

web jun 20 2020 may 26 2020 1 hi i need to get my mmi firmware and maps updated as they re really out of date and also the dab keepings cutting in and out constantly which having read around might be partly down to the mmi firmware needing an update

**mmi 3g 3gp navigation 6 31 1 and firmware updates** - Jan 08 2023

web apr 14 2016 mmi 3g 3gp navigation 6 31 1 and firmware updates currently 2020 2021 links to the latest versions of

firmware and map update with activator map activator activator works for 2018 2019 maps 8r0 060 884 ga 6 28 2 2019 mmi 3g high plus europe 2019 link on mega use 7z 7zip to open the files 2020 2021 8r0 060

*audi mmi help mmi video tutorials audi usa - Dec 07 2022*

web with the tutorials available here you can learn how to utilize the audi mmi system to control your audio navigation and vehicle settings

*how to update firmware in audi mmi 3g plus high basic mib - May 12 2023*

web dec 21 2022 about mmi 3g plus you might have hn or hn r the difference between them it s that they have been installed in different cars mmi 3g plus with firmware starting from hn has been installed in audi a4 a5 q5 q7 mmi 3g plus with firmware starting from hn r has been installed in audi a6 a7 a8 q3

*mmi software update audi sport net - Mar 30 2022*

web apr 5 2023 a disturbing issue is that we are definitely getting updates of some form but the dealership this morning stated that this does not happen and that they have no record of it mine 03 2021 car is currently running mmi release 34 11 mqb 2033 snapshot 13 08 2020 fwiw 10 sec

[mmi software update audiworld forums](#) - Feb 26 2022

web mar 19 2018 while this is very handy and i d love to update my maps if needed it doesn t mention that it also updates the mmi software i don t see a download for that there was a new version of mmi apparently released around january that contains some potentially interesting new options i d like to check out

**multi media interface wikipedia** - Dec 27 2021

web software updates mmi 3g and 3g systems have to be updated by an audi dealer the mmi 2g firmware can be updated by car owners mmi 2g systems can be updated via a cd containing the firmware update navigation maps are read in real time from dvd drive located in the trunk