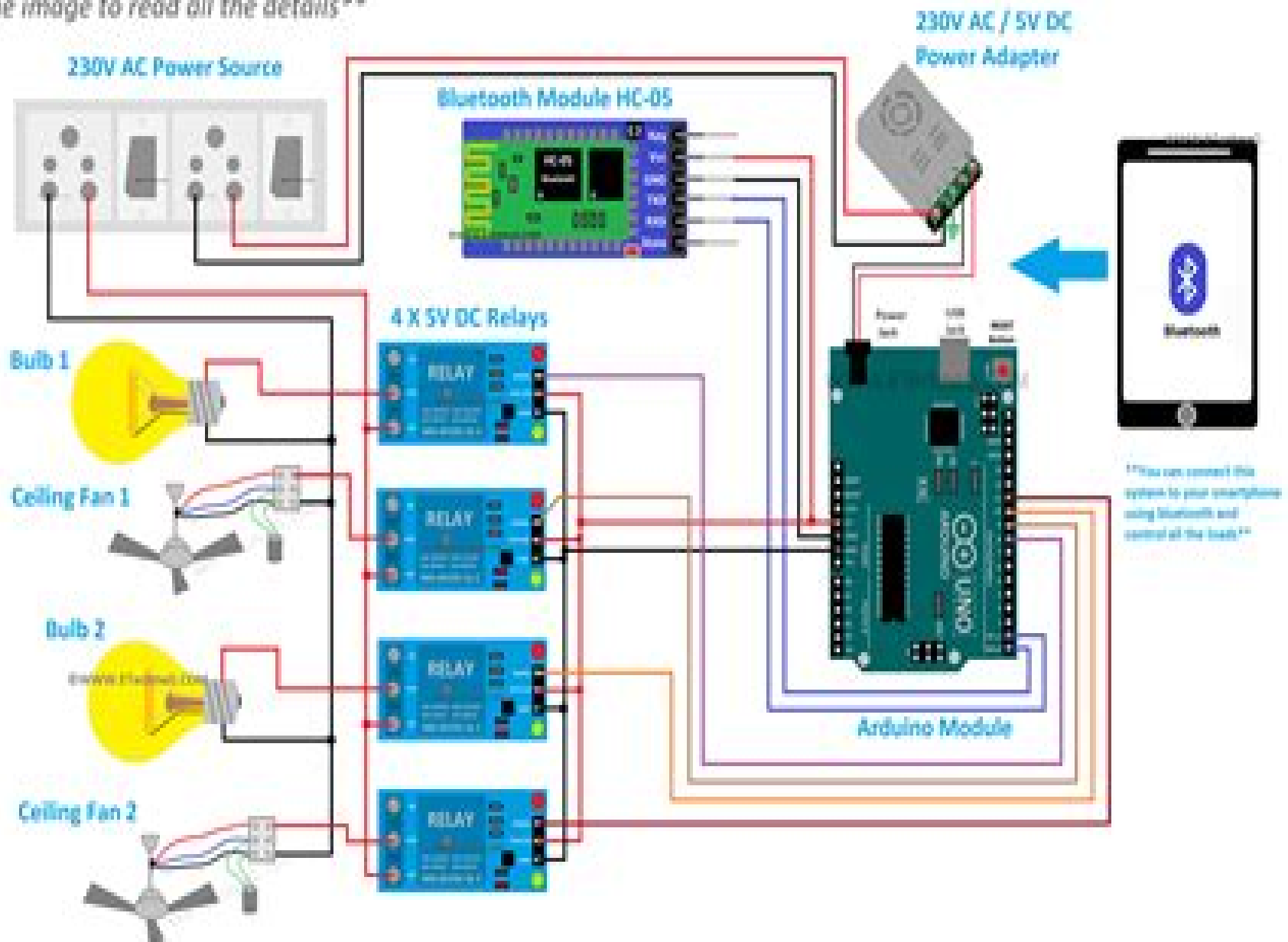


Figure.01:

Smart Home Automation System using Arduino

Zoom in the image to read all the details



Bluetooth Based Home Automation And Security System Using Arm9

**Milind Shrinivas Dangate,W. S.
Sampath,O. V. Gnana
Swathika,Sanjeevikumar Padmanaban**

Bluetooth Based Home Automation And Security System Using Arm9:

Handbook of Research on the IoT, Cloud Computing, and Wireless Network Optimization Singh, Surjit, Mohan Sharma, Rajeev, 2019-03-29 ICT technologies have contributed to the advances in wireless systems which provide seamless connectivity for worldwide communication The growth of interconnected devices and the need to store manage and process the data from them has led to increased research on the intersection of the internet of things and cloud computing The Handbook of Research on the IoT Cloud Computing and Wireless Network Optimization is a pivotal reference source that provides the latest research findings and solutions for the design and augmentation of wireless systems and cloud computing The content within this publication examines data mining machine learning and software engineering and is designed for IT specialists software engineers researchers academicians industry professionals and students **Intelligent**

Communication, Control and Devices Rajesh Singh, Sushabhan Choudhury, Anita Gehlot, 2018-04-10 The book focuses on the integration of intelligent communication systems control systems and devices related to all aspects of engineering and sciences It contains high quality research papers presented at the 2nd international conference ICICCD 2017 organized by the Department of Electronics Instrumentation and Control Engineering of University of Petroleum and Energy Studies Dehradun on 15 and 16 April 2017 The volume broadly covers recent advances of intelligent communication intelligent control and intelligent devices The work presented in this book is original research work findings and practical development experiences of researchers academicians scientists and industrial practitioners *Wearable/Personal Monitoring Devices*

Present to Future Gaetano D. Gargiulo, Ganesh R. Naik, 2021-10-26 This book discusses recent advances in wearable technologies and personal monitoring devices covering topics such as skin contact based wearables electrodes non contact wearables the Internet of things IoT and signal processing for wearable devices Although it chiefly focuses on wearable devices and provides comprehensive descriptions of all the core principles of personal monitoring devices the book also features a section on devices that are embedded in smart appliances furniture e g chairs which despite their limitations have taken the concept of unobtrusiveness to the next level Wearable and personal devices are the key to precision medicine and the medical community is finally exploring the opportunities offered by long term monitoring of physiological parameters that are collected during day to day life without the bias imposed by the clinical environment Such data offers a prime view of individuals physical condition as well as the efficacy of therapy and occurrence of events Offering an in depth analysis of the latest advances in smart and pervasive wearable devices particularly those that are unobtrusive and invisible and addressing topics not covered elsewhere the book will appeal to medical practitioners and engineers alike **Metaheuristic and**

Machine Learning Optimization Strategies for Complex Systems R., Thanigaivelan, M., Suchithra, S., Kaliappan, Mothilal, T., 2024-07-17 In contemporary engineering domains optimization and decision making issues are crucial Given the vast amounts of available data processing times and memory usage can be substantial Developing and

implementing novel heuristic algorithms is time consuming yet even minor improvements in solutions can significantly reduce computational costs In such scenarios the creation of heuristics and metaheuristic algorithms has proven advantageous The convergence of machine learning and metaheuristic algorithms offers a promising approach to address these challenges Metaheuristic and Machine Learning Optimization Strategies for Complex Systems covers all areas of comprehensive information about hyper heuristic models hybrid meta heuristic models nature inspired computing models and meta heuristic models The key contribution of this book is the construction of a hyper heuristic approach for any general problem domain from a meta heuristic algorithm Covering topics such as cloud computing internet of things and performance evaluation this book is an essential resource for researchers postgraduate students educators data scientists machine learning engineers software developers and engineers policy makers and more *Emerging Trends in Electrical, Communications, and Information Technologies* T. Hitendra Sarma,V. Sankar,Rafi Ahamed Shaik,2019-09-24 This book includes original peer reviewed research from the 3rd International Conference on Emerging Trends in Electrical Communication and Information Technologies ICECIT 2018 held at Srinivasa Ramanujan Institute of Technology Ananthapuramu Andhra Pradesh India in December 2018 It covers the latest research trends and developments in the areas of Electrical Engineering Electronic and Communication Engineering and Computer Science and Information *Research Anthology on Cross-Disciplinary Designs and Applications of Automation* Management Association, Information Resources,2021-10-29 Throughout human history technological advancements have been made for the ease of human labor With our most recent advancements it has been the work of scholars to discover ways for machines to take over a large part of this labor and reduce human intervention These advancements may become essential processes to nearly every industry It is essential to be knowledgeable about automation so that it may be applied *Research Anthology on Cross Disciplinary Designs and Applications of Automation* is a comprehensive resource on the emerging designs and application of automation This collection features a number of authors spanning multiple disciplines such as home automation healthcare automation government automation and more Covering topics such as human machine interaction trust calibration and sensors this research anthology is an excellent resource for technologists IT specialists computer engineers systems and software engineers manufacturers engineers government officials professors students healthcare administration managers CEOs researchers and academicians **Integrated Green Energy Solutions, Volume 1** Milind Shrinivas Dangate,W. S. Sampath,O. V. Gnana Swathika,Sanjeevikumar Padmanaban,2023-05-12 INTEGRATED GREEN ENERGY SOLUTIONS This first volume in a two volume set presents the state of the art for the concepts practical applications and future of renewable energy and how to move closer to true sustainability Renewable energy supplies are of ever increasing environmental and economic importance in every country worldwide A wide range of renewable energy technologies has been established commercially and recognized as an important set of growth industries for most governments World agencies including the

United Nations have extensive programs to encourage these emerging technologies This book will bridge the gap between descriptive reviews and specialized engineering technologies It centers on demonstrating how fundamental physical processes govern renewable energy resources and their applications Although the applications are updated continually the fundamental principles remain the same and this book will provide a useful platform for those advancing the subject and its industries Integrated Resilient Energy Solutions is a two volume set covering subjects of proven technical and economic importance worldwide Energy supply from renewables is an essential component of every nation s strategy especially when there is responsibility for the environment and sustainability These two volumes will consider the timeless renewable energy technologies principles yet demonstrate modern applications and case studies Whether for the veteran engineer student or other professional these two volumes are a must have for any library

Information and Communication Technology
Durgesh Kumar Mishra,Ahmad Taher Azar,Amit Joshi,2017-10-12 This book volume contains 31 papers presented at ICICT 2016 Second International Congress on Information and Communication Technology The conference was held during 12 13 December 2016 Bangkok Thailand and organized communally by G R Foundation and Computer Society of India Division IV Communication and Division V Education and Research This volume contains papers mainly focused on ICT for computation algorithms and data analytics and IT security

Home Automation Via Bluetooth Using the Arduino Uno Microcontroller
Ayush Kumar,2016 Abstract Home automation systems have gained popularity in recent years paralleling the advances in the concept of the Internet of Things The current project presents the implementation of an inexpensive home automation system within the framework of assistive technology The system implementation is based on the Arduino microcontroller with Bluetooth communications capability and it is designed for use by the elderly and people with disabilities The system is user friendly with an intuitive interface implemented on an Android based smart phone Demonstrations show that the system facilitates control of home appliances lights heating cooling systems and security devices by the intended users i e the elderly and the disabled

BLUETOOTH BASED HOME AUTOMATION SYSTEM OMER FAROOQ (TP016040),2012

Building Smart Home Automation Solutions with Home Assistant Marco Carvalho,2023-09-15 A step by step guide to building cost effective and complete home automation DIY projects using tools such as Home Assistant Raspberry Pi IoT devices the Tasmota sensor ESP32 and Grafana Key Features Learn by doing using real life practical examples to build your own home automation system Create hack and configure IoT devices through hands on projects to be used with or without Home Assistant Customize your home automation system using Home Assistant Node RED InfluxDB and Grafana Purchase of the print or Kindle book includes a free PDF eBook Book DescriptionPicture a home where you can adjust the lighting based on the time of day or when movement is detected In this same home you can also detect when a door is unexpectedly opened or an alarm is triggered in response to any suspicious activity Such automated devices form part of a smart home and the exciting part is that this book teaches you how to create and manage these devices all by yourself This book helps you create

your own ecosystem to automate your home using Home Assistant software You'll begin by understanding the components of a home automation system and learn how to create and configure them to operate seamlessly Then you'll set up Home Assistant on a Raspberry Pi to work as a home automation server build your own IoT sensors based on ESP32 ESP8266 and set up real life automation use cases using hands on examples and projects The chapters will also guide you in using software tools such as Node RED InfluxDB and Grafana to manage present and use data collected from your Home Automation devices Finally you'll gain insights into new technologies and trends in the home automation space to help you continue with your learning journey By the end of this book you'll be able to build your own creative IoT based home automation system using different hardware and software technologies What you will learn Understand the fundamental concepts of home automation systems Set up a home automation system using Home Assistant and Raspberry Pi Create and configure ESP8266 based sensors to work with Home Assistant Hack a commercial actuator to work with Home Assistant using Tasmota Create automations customize and use applications with Home Assistant Leverage IoT software tools to take your home automation to the next level Work on hands on projects including LED strip lights and an ESP32 five zone temperature logger Explore home automation FAQs emerging technologies and trends Who this book is for The book is for engineers developers students makers and enthusiasts who are working on or interested in working with electronics and IoT devices embedded systems systems integration computer software and coding to develop their own smart home automation systems Technicians teachers and other professionals who want to learn home automation related technologies will also find this book useful Prior experience of working with Raspberry Pi creating hardware prototypes and software programming will be beneficial

Home Automation Lisa Montgomery, Editor, Electronic House Magazine, 2014-09-12 Smart home automated home connected home or intelligent home Whatever you call it a home that's able to take the drudgery out of common everyday tasks is something that every family can appreciate In this inaugural book about home automation you'll learn how to incorporate the right types of products and systems into your house to achieve a new level of comfort convenience safety and efficiency The book walks you step by step through the process of automating your home and because automation systems are able to control just about anything electronic you can imagine we've provided plenty of practical ideas In 10 Key Features of a Home Automation System and Automation Ideas for Every System of Your House you'll gather more than enough recommendations to get started in your automation endeavor No matter how many great ideas you gather from our Home Automation book though it's important that the system you buy today incorporates the most recent iterations of control technologies We've followed the automation trends put them into perspective and offer advice on the critical new updates upgrades and upstarts you'll want to look into when selecting a system In addition to deciding what you want your automation system to do you'll want to determine whether you'd like to install the system yourself or hire a professional to handle the task Both methods offer their own unique set of advantages and disadvantages so be sure to read DIY or

Professionally Installed before making your decision You ll also want to check out our comprehensive directory of home automation manufacturers before taking the plunge Finally we finish the book with a series of finished automation installations which range from a basic starter package in a condo to a full blown bells and whistles system for a bigger house You ll see what types of features that owners of these homes chose to incorporate and hear how automation is truly making a difference in their lives The technology has been so carefully designed and meticulously installed that you may not even notice it in the full color photography of many of the rooms where lights motorized window shades and A V equipment have been automated to dim brighten turn on and off open and close and adjust and reset based on the time of day occupancy or the single touch of a button

Arduino Bluetooth Based Home Automation Mehmet AVCU,2021-01-05 Arduino Bluetooth Based Home Automation [Arduino Home Automation Projects](#) Marco Schwartz,2014-07-23 This book is divided into projects that are explained in a step by step format with practical instructions that are easy to follow If you want to build your own home automation systems wirelessly using the Arduino platform this is the book for you You will need to have some basic experience in Arduino and general programming languages such as C and C to understand the projects in this book

Building a Home Security System with BeagleBone Bill Pretty,2013-12-17 Building a Home Security System with BeagleBone is a practical hands on guide for practical hands on people The book includes step by step instructions for assembling your own hardware on professionally manufactured PCB s and setting up the software on your system This book is for anyone who is interested in alarm systems and how they work for hobbyists and basement tinkerers who love to build things If you want to build the hardware described in this book you will need some basic soldering skills but all the parts are of the thru hole variety and are very easy to put together When it comes to software you can just run it as is but if you want to modify the code you will need knowledge of Java and IDEs

Essential Guide to Smart Home Automation Safety and Security Gerard O'Driscoll,2015-03-02 This book addresses readers who wish to gain an in depth understanding of Smart Home alarm and safety systems Detail is provided on six key smart systems that you can use to enhance your family s home security levels namely smart alarm systems Smart IP cameras Smart combo alarm devices smart access control smart locks and smart doorbells In addition to covering the integration of alarm and fire detection systems with your smartphone App this chapter also deals with adding smart air quality control water and freeze alert capabilities to your home This mini ebook includes technical illustrations examples of how smart homes are helping people insights from Gerard and details of an awesome monthly giveaway

Home Security System DIY Wireless IoT Using ESP32 CAM and Android Robert Chin,2022-08-07 This book shows you how you can save tons of money by building your own low cost maximum privacy and maximum security professional quality wireless home security system from common off the shelf parts You can monitor the home security system using your existing Android cell phone and existing home internet connection You will save lots of money on the home security system hardware itself as well as enjoy free email alert notifications and or low cost cell phone

text message alert notifications depending on the monitoring options you choose Easy to understand step by step instructions will be given so that the average non technical person will be able to assemble and operate this home security system The main components of the security system are the ESP32 CAM a motion sensor an Android cell phone and a home internet connection In addition custom software created by the author will be provided for the ESP32 and Android devices Security System Main Features Live Real Time Local Video Monitoring using multiple ESP32 CAM units Free Email Notifications With Images Using Your Existing Home Internet Connection Low Cost Text Message Notifications Using Your Android Cell Phone Easy Hardware Assembly and Simple Software Setup Procedure Use your existing Android cell phone to control and monitor your alarm system Modular sensor system allows you to add up to 11 ESP32 CAM units with motion sensors to the security system Maximum Security and Privacy Security System Basic Operation 1 Set up your security system for operation using your Controller cell phone 2 Activate the security system using your Controller cell phone 3 Receive emergency text alerts on your personal cell phone if the alarm has been tripped 4 Receive emergency emails with images of people that have tripped the sensors in or outside of your home to an email address you designate 5 If an intruder or other emergency is confirmed then call the police as needed

Wireless Based Home Security with Automation System Wan Norziela Wan

Rosli,2010 The aim of the project is to design a wireless based home security with automation system The system uses wireless technology to revolutionize the standards of living which could give assurance for user to protect their homes from burglars thieves and criminals This project is so versatile and is equipped with various sensors such as passive infrared sensor magnetic switch sensor and vibration sensor to detect different forms of intrusion A microcontroller is used to control the system operation while a remote gadget is used to arm and disarm the system To ensure only the authorized user can operate the system the gadget is equipped with a password Various indication outputs such as BUZZER LED and LCD are used to display the alarm status In addition the sound indicators like siren are also included in the design to inform intrusion Due to the consideration of user friendliness portability as well as wider area coverage all the sensors and remote gadget are implemented using zigbee transceiver A backup battery module is also introduced in the design to ensure the system keep functioning even during power failure

Home Automation System Using Arduino System Via IR Sensor Akashdeep

Singh,Varinder Singh,Gagandeep Singh,2018-10-07 This work presents the design and model implementation of a novel home automation system applying the Internet of Things IoT technology It seeks simplified design protocols for developing a robust home automation system to deal with the problems of complexity multiple incompatible standards and the resulting expenses in the existing systems The embedded system featuresthe ubiquitous low cost 32 bit ESP8266 System on chip SoC module interfaced to some sensors and actuators for interaction inthe home Flexibility in the remote access operation and management is achieved through HTML5 based intuitive mobile and web GUI applications Web Application Messaging Protocol WAMP is deployed to ensure that individual applications and systems seamlessly communicate with a relatively high

level of security using robust web service security protocol This system offers a cost effective and efficient solution excluded which are present mostly in other solutions because the costs of a dedicated public IP address and a high end computer are excluded which are present mostly in other solutions **Advanced Home Security System** Ali Abbas,2017

This is likewise one of the factors by obtaining the soft documents of this **Bluetooth Based Home Automation And Security System Using Arm9** by online. You might not require more grow old to spend to go to the ebook commencement as with ease as search for them. In some cases, you likewise reach not discover the revelation Bluetooth Based Home Automation And Security System Using Arm9 that you are looking for. It will utterly squander the time.

However below, in the same way as you visit this web page, it will be so no question easy to get as competently as download guide Bluetooth Based Home Automation And Security System Using Arm9

It will not say you will many times as we explain before. You can get it though accomplish something else at house and even in your workplace. fittingly easy! So, are you question? Just exercise just what we have enough money below as skillfully as review **Bluetooth Based Home Automation And Security System Using Arm9** what you in the same way as to read!

https://py.bijouxmedusa.com/results/uploaded-files/fetch.php/usa_60_2106_data_science_careers_roadmap_for_creators_60_2368_data.pdf

Table of Contents Bluetooth Based Home Automation And Security System Using Arm9

1. Understanding the eBook Bluetooth Based Home Automation And Security System Using Arm9
 - The Rise of Digital Reading Bluetooth Based Home Automation And Security System Using Arm9
 - Advantages of eBooks Over Traditional Books
2. Identifying Bluetooth Based Home Automation And Security System Using Arm9
 - Exploring Different Genres
 - Considering Fiction vs. Non-Fiction
 - Determining Your Reading Goals
3. Choosing the Right eBook Platform
 - Popular eBook Platforms
 - Features to Look for in an Bluetooth Based Home Automation And Security System Using Arm9
 - User-Friendly Interface

4. Exploring eBook Recommendations from Bluetooth Based Home Automation And Security System Using Arm9
 - Personalized Recommendations
 - Bluetooth Based Home Automation And Security System Using Arm9 User Reviews and Ratings
 - Bluetooth Based Home Automation And Security System Using Arm9 and Bestseller Lists
5. Accessing Bluetooth Based Home Automation And Security System Using Arm9 Free and Paid eBooks
 - Bluetooth Based Home Automation And Security System Using Arm9 Public Domain eBooks
 - Bluetooth Based Home Automation And Security System Using Arm9 eBook Subscription Services
 - Bluetooth Based Home Automation And Security System Using Arm9 Budget-Friendly Options
6. Navigating Bluetooth Based Home Automation And Security System Using Arm9 eBook Formats
 - ePub, PDF, MOBI, and More
 - Bluetooth Based Home Automation And Security System Using Arm9 Compatibility with Devices
 - Bluetooth Based Home Automation And Security System Using Arm9 Enhanced eBook Features
7. Enhancing Your Reading Experience
 - Adjustable Fonts and Text Sizes of Bluetooth Based Home Automation And Security System Using Arm9
 - Highlighting and Note-Taking Bluetooth Based Home Automation And Security System Using Arm9
 - Interactive Elements Bluetooth Based Home Automation And Security System Using Arm9
8. Staying Engaged with Bluetooth Based Home Automation And Security System Using Arm9
 - Joining Online Reading Communities
 - Participating in Virtual Book Clubs
 - Following Authors and Publishers Bluetooth Based Home Automation And Security System Using Arm9
9. Balancing eBooks and Physical Books Bluetooth Based Home Automation And Security System Using Arm9
 - Benefits of a Digital Library
 - Creating a Diverse Reading Collection Bluetooth Based Home Automation And Security System Using Arm9
10. Overcoming Reading Challenges
 - Dealing with Digital Eye Strain
 - Minimizing Distractions
 - Managing Screen Time
11. Cultivating a Reading Routine Bluetooth Based Home Automation And Security System Using Arm9
 - Setting Reading Goals Bluetooth Based Home Automation And Security System Using Arm9
 - Carving Out Dedicated Reading Time

12. Sourcing Reliable Information of Bluetooth Based Home Automation And Security System Using Arm9
 - Fact-Checking eBook Content of Bluetooth Based Home Automation And Security System Using Arm9
 - Distinguishing Credible Sources
13. Promoting Lifelong Learning
 - Utilizing eBooks for Skill Development
 - Exploring Educational eBooks
14. Embracing eBook Trends
 - Integration of Multimedia Elements
 - Interactive and Gamified eBooks

Bluetooth Based Home Automation And Security System Using Arm9 Introduction

In the digital age, access to information has become easier than ever before. The ability to download Bluetooth Based Home Automation And Security System Using Arm9 has revolutionized the way we consume written content. Whether you are a student looking for course material, an avid reader searching for your next favorite book, or a professional seeking research papers, the option to download Bluetooth Based Home Automation And Security System Using Arm9 has opened up a world of possibilities. Downloading Bluetooth Based Home Automation And Security System Using Arm9 provides numerous advantages over physical copies of books and documents. Firstly, it is incredibly convenient. Gone are the days of carrying around heavy textbooks or bulky folders filled with papers. With the click of a button, you can gain immediate access to valuable resources on any device. This convenience allows for efficient studying, researching, and reading on the go. Moreover, the cost-effective nature of downloading Bluetooth Based Home Automation And Security System Using Arm9 has democratized knowledge. Traditional books and academic journals can be expensive, making it difficult for individuals with limited financial resources to access information. By offering free PDF downloads, publishers and authors are enabling a wider audience to benefit from their work. This inclusivity promotes equal opportunities for learning and personal growth. There are numerous websites and platforms where individuals can download Bluetooth Based Home Automation And Security System Using Arm9. These websites range from academic databases offering research papers and journals to online libraries with an expansive collection of books from various genres. Many authors and publishers also upload their work to specific websites, granting readers access to their content without any charge. These platforms not only provide access to existing literature but also serve as an excellent platform for undiscovered authors to share their work with the world. However, it is essential to be cautious while downloading Bluetooth Based Home Automation And Security System Using Arm9. Some websites may offer pirated or illegally obtained copies of copyrighted material. Engaging in such activities not

only violates copyright laws but also undermines the efforts of authors, publishers, and researchers. To ensure ethical downloading, it is advisable to utilize reputable websites that prioritize the legal distribution of content. When downloading Bluetooth Based Home Automation And Security System Using Arm9, users should also consider the potential security risks associated with online platforms. Malicious actors may exploit vulnerabilities in unprotected websites to distribute malware or steal personal information. To protect themselves, individuals should ensure their devices have reliable antivirus software installed and validate the legitimacy of the websites they are downloading from. In conclusion, the ability to download Bluetooth Based Home Automation And Security System Using Arm9 has transformed the way we access information. With the convenience, cost-effectiveness, and accessibility it offers, free PDF downloads have become a popular choice for students, researchers, and book lovers worldwide. However, it is crucial to engage in ethical downloading practices and prioritize personal security when utilizing online platforms. By doing so, individuals can make the most of the vast array of free PDF resources available and embark on a journey of continuous learning and intellectual growth.

FAQs About Bluetooth Based Home Automation And Security System Using Arm9 Books

How do I know which eBook platform is the best for me? Finding the best eBook platform depends on your reading preferences and device compatibility. Research different platforms, read user reviews, and explore their features before making a choice. Are free eBooks of good quality? Yes, many reputable platforms offer high-quality free eBooks, including classics and public domain works. However, make sure to verify the source to ensure the eBook credibility. Can I read eBooks without an eReader? Absolutely! Most eBook platforms offer web-based readers or mobile apps that allow you to read eBooks on your computer, tablet, or smartphone. How do I avoid digital eye strain while reading eBooks? To prevent digital eye strain, take regular breaks, adjust the font size and background color, and ensure proper lighting while reading eBooks. What the advantage of interactive eBooks? Interactive eBooks incorporate multimedia elements, quizzes, and activities, enhancing the reader engagement and providing a more immersive learning experience. Bluetooth Based Home Automation And Security System Using Arm9 is one of the best book in our library for free trial. We provide copy of Bluetooth Based Home Automation And Security System Using Arm9 in digital format, so the resources that you find are reliable. There are also many Ebooks of related with Bluetooth Based Home Automation And Security System Using Arm9. Where to download Bluetooth Based Home Automation And Security System Using Arm9 online for free? Are you looking for Bluetooth Based Home Automation And Security System Using Arm9 PDF? This is definitely going to save you time and cash in something you should think about.

Find Bluetooth Based Home Automation And Security System Using Arm9 :

USA 60-2106 data science careers roadmap for creators 60-2368 data
[crypto trading explained United States 60-2334 crypto trading explained](#)
[60-2584 personal finance best practices for startups 60-2257 personal](#)
[USA 60-1306 data science careers guide United States 60-2099 data](#)
[for creators 60-2184 coding for beginners review for startups 60-2304](#)
small business 60-1673 online business for beginners USA 60-1121 online
[business 60-700 machine learning basics apps America 60-2841 machine](#)
[case study for creators 60-482 print on demand checklist for small](#)
[60-1310 coding for beginners checklist for entrepreneurs 60-2223 coding](#)
[startups 60-2798 cloud computing software United States 60-205 cloud](#)
[smart home tech best practices USA 60-38 smart home tech best practices](#)
[small business 60-456 career growth checklist America 60-1537 career](#)
[USA 60-204 content marketing blueprint for creators 60-1585 content](#)
explained United States 60-1187 VPN services for beginners for
[creators 60-1040 blog monetization review USA 60-2143 blog monetization](#)

Bluetooth Based Home Automation And Security System Using Arm9 :

southeast asia a region revealed lingua inglese by david - Feb 09 2023

web jun 11 2023 this southeast asia a region revealed lingua inglese by david bowden mick shippen nigel hicks as one of the majority running sellers here will completely be

current landscape of english language teaching research in - May 12 2023

web jul 28 2022 one field that takes a prominent status in the sea region is english language teaching elt because the english language serves as a lingua franca

[southeast asia a region revealed lingua inglese pdf](#) - Dec 07 2022

web aug 12 2023 southeast asia a region revealed lingua inglese 1 10 downloaded from uniport edu ng on august 12 2023 by guest southeast asia a region revealed

southeast asia a region revealed lingua inglese by david - Jun 13 2023

web sep 14 2023 country in southeast asia located at the centre of the indochinese peninsula it is posed of 76 provinces and

covers an area of 513 120 square kilometres 198 120 sq

southeast asia a region revealed lingua inglese by david - Jul 14 2023

web download manual southeast asia a region revealed lingua inglese by david bowden mick shippen nigel hicks thats something that will lead you to cognize even more in

southeast asia a region revealed lingua inglese pdf - Aug 03 2022

web jun 24 2023 southeast asia a region revealed lingua inglese 2 9 downloaded from uniport edu ng on june 24 2023 by guest how they conducted their investigations into

southeast asia a region revealed lingua inglese by david - Feb 26 2022

web jun 19 2023 this southeast asia a region revealed lingua inglese by david bowden mick shippen nigel hicks as one of the predominant operational

southeast definition usage examples dictionary com - Mar 30 2022

web southeast definition the point or direction midway between south and east abbreviation see examples of southeast used in a sentence

southeast asia a region revealed lingua inglese by david - Dec 27 2021

web jun 28 2023 southeast asia a region revealed lingua inglese by david bowden mick shippen nigel hicks toured extensively on and off road in northern thailand and laos

southeast asia a region revealed lingua inglese by david - Jan 28 2022

web jun 18 2023 get the southeast asia a region revealed lingua inglese by david bowden mick shippen nigel hicks join that we have the money for here and check out the link we

southeast asia a region revealed lingua inglese pdf - Nov 06 2022

web oct 15 2023 southeast asia a region revealed lingua inglese 2 9 downloaded from uniport edu ng on october 15 2023 by guest after about 4200 bp archaeological

southeast asia a region revealed lingua inglese copy - Oct 05 2022

web sep 6 2023 get the southeast asia a region revealed lingua inglese join that we give here and check out the link you could buy lead southeast asia a region revealed

southeast asian english wikipedia - Sep 16 2023

web southeast asian english is the english spoken in southeast asia namely singapore english similar and related to british english malaysian english similar and related

southeast asia a region revealed lingua inglese full pdf - Apr 30 2022

web southeast asia a region revealed lingua inglese if you ally craving such a referred southeast asia a region revealed lingua

inglese books that will meet the expense

southeast asia a region revealed lingua inglese uniport edu - Sep 04 2022

web sep 19 2023 the costs its practically what you craving currently this southeast asia a region revealed lingua inglese as one of the most operational sellers here will

southeast asia worldatlas - Mar 10 2023

web apr 16 2021 southeast asia is geographically divided into two regions a continental projection known as mainland southeast asia or indochinese peninsula and an

southeast asia a region revealed lingua inglese by david - Nov 25 2021

web iraq afghanistan and ukraine as well as persecution in areas of southeast asia and sub saharan africa creating the highest level of displacement since world war ii garrison s

southeast english meaning cambridge dictionary - Jul 02 2022

web southeast definition 1 the direction that is between south and east 2 an area of in the southeast of england the learn more

southeast asia a region revealed lingua inglese pdf - Jan 08 2023

web jan 28 2023 its virtually what you dependence currently this southeast asia a region revealed lingua inglese as one of the most vigorous sellers here will completely be

southeast asia a region revealed lingua inglese - Oct 17 2023

web southeast asia a region revealed lingua inglese cellular flows jan 26 2020 a cell whose spatial extent is small compared with a surrounding flow can develop inside a vortex such cells often referred to as vortex breakdown bubbles provide stable and clean

southeast asia a region revealed lingua inglese by david - Aug 15 2023

web jun 26 2023 if you collaborator routine such a referred southeast asia a region revealed lingua inglese by david bowden mick shippen nigel hicks books that will

southeast asia a region revealed lingua inglese by david - Jun 01 2022

web southeast asia a region revealed lingua inglese by david bowden mick shippen nigel hicks therefore simple however below when you visit this web page it will be

south east asian english encyclopedia com - Apr 11 2023

web english as used in south east asia falls into two broad types second language varieties in countries that were formerly colonies or protectorates of an english speaking power

the watsons go to birmingham 1963 novel test quizizz - Sep 04 2022

web the watsons go to birmingham 1963 novel test deleted user 250 plays 30 questions copy edit live session show answers see preview 1 multiple choice 5 minutes 1 pt moves to flint from arkansas mr robert l j jones buphead rufus 2 multiple choice 5 minutes 1 pt gets his lips stuck to a mirror kenny watson buphead byron watson larry

[the watsons go to birmingham 1963 questions and answers](#) - Nov 06 2022

web apr 5 2022 answers 1 asked by valentina z 1225291 last updated by aslan a year ago 3 31 2022 8 40 pm the watsons go to birmingham 1963 byron decides that grandma sands said that the wool pooh got miss thomas son at collier s landing

watsons go to birmingham 1963 quiz propofis quiz - Jul 02 2022

web mar 19 2023 watsons go to birmingham 1963 quiz 7 questions by henrychen46 updated mar 19 2022 attempts 440 share settings start create your own quiz chapters 5 8 questions and answers 1 who was playing with matches a byron b kenny c joetta 2 kenny is a bully a true b false 3 what did mr watson put in the car a the ultra

the watsons go to birmingham 1963 quizzes gradesaver the watsons - Jan 28 2022

web the watsons go toward birmingham 1963 study guide include a biography of christopher paul curtis literature essays quiz questions major themes signs and a full summary and analysis best summary pdf matters and quotes

the watson s go to birmingham 1963 flashcards quizlet - Aug 03 2022

web what is the meaning the title of the book the meaning behind the watsons go to birmingham 1963 is that the family takes a long vacation to birmingham to see grandma sands the only reason they went to grandma s and was too disciplined byron and teach him the right manners

the watsons go to birmingham 1963 test quizizz - Dec 27 2021

web 0 save share edit copy and edit quiznewsuperdraft the watsons go to birmingham 1963 test 2 minutes ago by darlene dodd 0 average accuracy 0 plays 5th grade english 0 save share copy and edit edit super resource with super get unlimited access to this resource and over 100 000 other super resources thank you for being

the watsons go to birmingham 1963 chapter 12 13 quiz - Feb 26 2022

web the watsons go to birmingham 1963 chapter 12 13 quiz for kg students find other quizzes for english and more on quizizz for free

[the watsons go to birmingham 1963 overview quiz enotes com](#) - Apr 11 2023

web take the watsons go to birmingham 1963 overview quiz from enotes to find out contains ten questions about the watson family and their journey where is momma s hometown question answer

the watsons go to birmingham 1963 enotes com - Jul 14 2023

web by christopher paul curtis start free trial the watsons go to birmingham 1963 questions and answers in chapter 2 of the watsons go to birmingham 1963 why does kenny think that

[the watsons go to birmingham 1963 quiz bookrags com](#) - Jan 08 2023

web take our free the watsons go to birmingham 1963 quiz below with 25 multiple choice questions that help you test your knowledge determine which chapters themes and styles you already know and what you need to study for your upcoming essay midterm or final exam take the free quiz now directions click on the correct answer

the watsons go to birmingham 1963 quiz supersummary - Feb 09 2023

web the watsons go to birmingham 1963 christopher paul curtis 59 pages 1 hour read christopher paul curtis the watsons go to birmingham 1963 fiction novel middle grade published in 1995

[the watsons go to birmingham 1963 lesson plan gradesaver](#) - Oct 05 2022

web the question and answer section for the watsons go to birmingham 1963 is a great resource to ask questions find answers and discuss the novel why does rufus stop hanging out with kenny what has kenny done to betray rufus

the watsons go to birmingham 1963 multiple choice test - Dec 07 2022

web the watsons go to birmingham 1963 multiple choice test questions christopher paul curtis this set of lesson plans consists of approximately 130 pages of tests essay questions lessons and other teaching materials print word pdf

[quia the watsons go to birmingham 1963 quiz ch 1 6](#) - Apr 30 2022

web the watsons go to birmingham 1963 quiz ch 1 6 answer in complete sentences an incomplete answer will result in zero points be sure you restate the question in your answer

the watsons go to birmingham 1963 study guide gradesaver - May 12 2023

web by christopher paul curtis buy study guide the watsons go to birmingham 1963 study guide the watsons go to birmingham was the first of curtis s novels and is arguably the one he is most remembered for it was published by yearling in 1995 and was written primarily for middle grade readers typically ages 10 to 13

the watsons go to birmingham 1963 275 plays quizizz - Jun 01 2022

web the watsons go to birmingham 1963 arla shelton 275 plays 28 questions copy edit live session show answers see preview 1 multiple choice 20 seconds 1 pt who got their tongue stuck on the brown bomber joetta kenny mr watson byron 2 multiple choice 30 seconds 1 pt the narrator of the novel is byron joetta kenny 3 multiple choice 30 seconds

watson s go to birmingham 1963 flashcards quizlet - Mar 10 2023

web how dad he sound when he answered and more study with quizlet and memorize flashcards containing terms like summarize the incident when mrs davidson gave a gift to joey where did byron have to sleep the night before the family left on the trip and why on the trip kenny asked why they could not drive until dad was tired and then stop

the watsons go to birmingham 1963 quiz by mganka sporcle - Mar 30 2022

web can you choose the correct answer quizzes events quiz creation community videos sporclecon remove ads the watsons

go to birmingham 1963 can you choose the correct answer by mganka follow send a message see more by this creator quiz is untimed quiz plays in practice mode will not be counted towards challenge completion

the watsons go to birmingham 1963 quizzes gradesaver - Aug 15 2023

web the watsons go to birmingham 1963 quiz 1 1 where was wilona born michigan louisiana georgia alabama 2 in what city do the watsons live new york detroit chicago flint 3 what do the watsons call their car the yellow submarine the brown bomber the green machine the silver bullet 4 what is daddy watson s nickname for moses

the watsons go to birmingham 1963 flashcards quizlet - Jun 13 2023

web someone who looked like kenny summoned waived her to follow her off the church porch be able to tell me 3 reasons the watsons traveled to alabama 1 conditions in the south would help byron to learn 2 byron was going to spend the summer at grandma sands 3 grandma sands would teach byron how to behave properly

la storia di greta non sei troppo piccolo per far elena de - Mar 20 2022

web la storia di nia bruna aulino 2019 08 06 questa è la storia di nia una ragazza nata nel 1944 in una notte di bombardamenti e terrore figlia di una madre che non la prese mai

la storia di greta non sei troppo piccolo per fare cose grandi la - Oct 27 2022

web oct 10 2019 greta racconta l autrice è sensibile al tema ambientalista da diversi anni da quando era ancora bambina e a scuola ad otto anni alcuni insegnanti avevano fatto

la storia di greta non sei troppo piccolo per fare cose grandi la - Feb 28 2023

web la storia di greta non sei troppo piccolo per fare cose grandi la biografia non ufficiale di greta thunberg è un ebook di camerini valentina pubblicato da de agostini a 6 99

la storia di greta non sei troppo piccolo per far gabriella fusi - Apr 20 2022

web as this la storia di greta non sei troppo piccolo per far it ends happening instinctive one of the favored ebook la storia di greta non sei troppo piccolo per far

la storia di greta non sei troppo piccolo per fare cose grandi - Nov 27 2022

web preparatevi a leggere un racconto fatto di speranza coraggio e determinazione questa Ã la storia vera di greta thunberg ma anche quella di tanti altri ragazzi e ragazze in tutto

la storia di greta non sei troppo piccolo per fare cose grandi la - Jan 30 2023

web la storia di greta non sei troppo piccolo per fare cose grandi la biografia non ufficiale di greta thunberg di valentina camerini preparatevi a leggere un racconto fatto di

la storia di greta non sei troppo piccolo per far 2023 - Feb 16 2022

web preparatevi a leggere un racconto fatto di speranza coraggio e determinazione questa è la storia vera di greta thunberg

ma anche quella di tanti altri ragazzi e ragazze in tutto il
recensioni la storia di greta non sei troppo piccolo per fare - Dec 29 2022

web la storia di greta non sei troppo piccolo per fare cose grandi valentina camerini download on z library z library download
books for free find books

languagelearningkids club - Jun 22 2022

web la storia di greta non sei troppo piccolo per far back in love greta s story biografia universale antica e moderna ossia
storia per alfabeto della vita pubblica e privata di

la storia di greta non sei troppo piccolo per fare cose grandi la - Jun 03 2023

web la storia di greta non sei troppo piccolo per fare cose grandi ebook written by valentina camerini read this book using
google play books app on your pc android

la storia di greta non sei troppo piccolo per fare cose grandi - Apr 01 2023

web la storia di greta non sei troppo piccolo per fare cose grandi la biografia non ufficiale di greta thunberg è un libro di
camerini valentina pubblicato da de agostini nella

la storia di greta non sei troppo piccolo per fare cose grandi la - Sep 06 2023

web la storia di greta non sei troppo piccolo per fare cose grandi formato kindle di valentina camerini autore veronica veci
carratello illustratore formato formato

la recensione di la storia di greta parole e sapere - Sep 25 2022

web descrizione del libro dopo il discorso che ha commosso il mondo intero la vicenda della giovanissima attivista svedese
greta thunberg diventa una biografia illustrata un libro

la storia di greta non sei troppo piccolo per fare cose grandi - May 02 2023

web la quindicenne greta thunberg decide di non voler più aspettare che i politici decidano di fare qualcosa per salvare il
pianeta invece di andare a scuola decide di indire il suo

la storia di greta non sei troppo piccolo per fare cose grandi la - Aug 25 2022

web questa è la storia vera di greta thunberg ma anche quella di tanti altri ragazzi e ragazze in tutto il mondo disposti a
lottare contro il disinteresse dei più grandi nel nome di un

la storia di greta non sei troppo piccolo per fare cose grandi - Aug 05 2023

web quel giorno l allora quindicenne greta thunberg inizia il suo sciopero davanti al palazzo del parlamento non si può più
aspettare i politici devono fare qualcosa per salvare

la storia di greta non sei troppo piccolo per fare cose grandi - Jul 04 2023

web acquista online il libro la storia di greta non sei troppo piccolo per fare cose grandi la biografia non ufficiale di greta

thunberg di valentina camerini in offerta a prezzi

la storia di greta non sei troppo piccolo per fare cose - Oct 07 2023

web la storia di greta non sei troppo piccolo per fare cose grandi la biografia non ufficiale di greta thunberg camerini

valentina carratello veronica veci amazon it libri

la storia di greta non sei troppo piccolo per fare cose grandi - Jan 18 2022

la storia di greta non sei troppo piccolo per fare cose grandi - Jul 24 2022

web we would like to show you a description here but the site won t allow us

la storia di greta non sei troppo piccolo per far pdf - May 22 2022

web la storia di nia bruna aulino 2019 08 06 questa è la storia di nia una ragazza nata nel 1944 in una notte di

bombardamenti e terrore figlia di una madre che non la prese mai