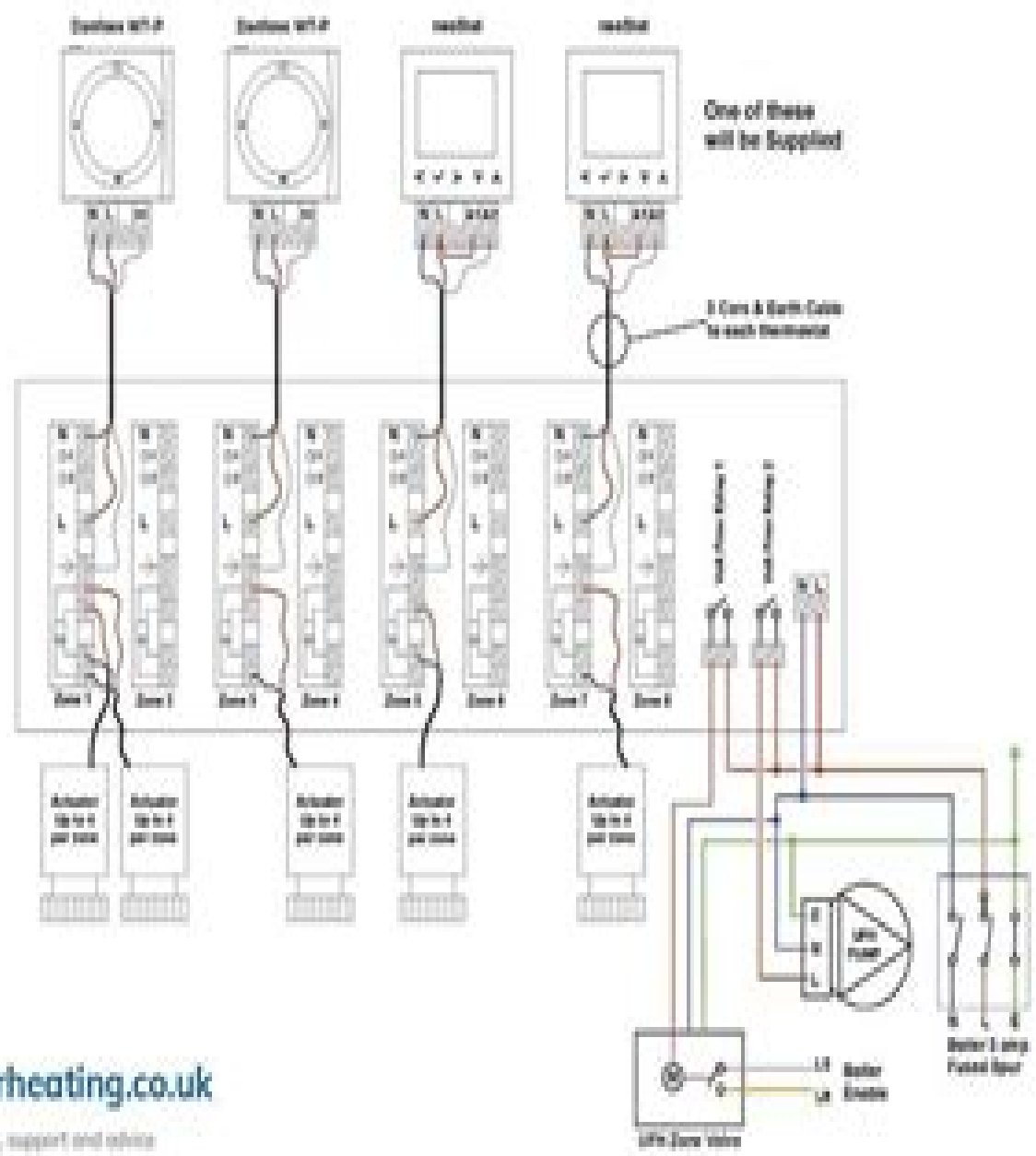


# Wiring using a Wiring Centre (Multi Zone)



# Connection Example Danfoss

**K Morrison**



## Connection Example Danfoss:

*Entrepreneurship in Theory and Practice* Suna Løwe Nielsen, Kim Klyver, Majbritt Rostgaard Ewald, Torben Bager, 2021-03-26 The third edition of this creative and successful textbook provides a broad overview of entrepreneurship from a theoretical and practical perspective Engaging for undergraduates it embeds theories of entrepreneurship with tensions and dilemmas presented as paradoxes for each chapter It offers insights into the entrepreneurial process and challenges readers to assess the paradoxes and pitfalls encountered on an entrepreneurial journey

**Mass Customisation and Personalisation in Architecture and Construction** Poorang Piroozfar, Frank Piller, 2013-06-19 Challenged by the recent economic crisis the building and construction industry is currently seeking new orientation and strategies Here mass customisation is uncovered as a key strategy in helping to meet this challenge The term mass customisation denotes an offering that meets the demands of each individual customer whilst still being produced with mass production efficiency Today mass customisation is emerging from a pilot stage into a scalable and sustainable strategy The first dedicated publication of its kind this book provides a forum for the concept within an applied and highly innovative context The book includes contributions from some of the most prominent thinkers and practitioners in the field from across the world including Kasper S Vibaek Steve Kendall Martin Bechthold Mitchell M Tseng and Masa Noguchi Bringing together this panel of experts who have carried out research both in academia and practice this book provides an overview of state of the art practice related to the concept of customisation and personalisation within the built environment

*From Ideas to Action* Jan-Olaf Willums, Ulrich Golüke, 1992 The earth our asset Business sustainable development and environmental assets The air around us The water we need The vanishing forests The richness of nature biodiversity The lost resource waste Hopes and promises population poverty and health The business response to sustainable development The greening of enterprise industry s score Fueling economic development the double edge of energy Bridging the gap industry s role in technology cooperation The road ahead The ICC business charter for sustainable development The history of the business charter Further reference material on cases Corporate environmental profiles The Rio declaration and ICC business charter on environment and development Reference documents

*The Journal of Refrigeration* ,1968 Water 21 ,1999 Modern Refrigeration ... ,1974

**Market Oriented Product Innovation** Knut Holt, 2013-03-14 Market Oriented Product Innovation differs from most other titles written either from a marketing or technical perspective by giving a holistic view of the product innovation process It has a product perspective written from a managerial point of view recognizing that product innovation or new product development is a discipline of its own It is concerned with managing the products goods and services through their life cycle integrating marketing knowledge and technological expertise with the aim of getting satisfied customers The book also gives a thorough treatment of the human and cultural aspects of product innovation by focusing on the change processes needed for the development of a market oriented culture

The Journal of the Institution

of Heating and Ventilating Engineers Institution of Heating and Ventilating Engineers (Great Britain),1960     *The Engineering and Boiler House Review* ,1962     *Shipbuilding & Marine Engineering International* ,1972     **Engineering Materials and Design** ,1990     *Processing* ,1993     **Business Review Weekly** ,2004     **Heating & Air Treatment Engineer** ,1961     Embedded Software ,2005     Desalination Jane Kucera,2019-04-11 This all new revised edition of a modern classic is the most comprehensive and up to date coverage of the green process of desalination in industrial and municipal applications covering all of the processes and equipment necessary to design operate and troubleshoot desalination systems This is becoming increasingly more important for not only our world s industries but our world s populations as pure water becomes more and more scarce Blue is the new green This is an all new revised edition of a modern classic on one of the most important subjects in engineering Water Featuring a total revision of the initial volume this is the most comprehensive and up to date coverage of the process of desalination in industrial and municipal applications a technology that is becoming increasingly more important as more and more companies choose to go green This book covers all of the processes and equipment necessary to design operate and troubleshoot desalination systems from the fundamental principles of desalination technology and membranes to the much more advanced engineering principles necessary for designing a desalination system Earlier chapters cover the basic principles the economics of desalination basic terms and definitions and essential equipment The book then goes into the thermal processes involved in desalination such as various methods of evaporation distillation recompression and multistage flash Following that is an exhaustive discussion of the membrane processes involved in desalination such as reverse osmosis forward osmosis and electrodialysis Finally the book concludes with a chapter on the future of these technologies and their place in industry and how they can be of use to society This book is a must have for anyone working in water for engineers technicians scientists working in research and development and operators It is also useful as a textbook for graduate classes studying industrial water applications

**Interactions** ,1997 A magazine for designers of interactive products     **Official Journal of the European Communities** ,1988     Official Reference Book and Buyers' Guide ,1986     La vita tra cose e natura Electa,1992

Yeah, reviewing a book **Connection Example Danfoss** could ensue your near links listings. This is just one of the solutions for you to be successful. As understood, success does not recommend that you have wonderful points.

Comprehending as skillfully as covenant even more than new will come up with the money for each success. next-door to, the declaration as with ease as perspicacity of this Connection Example Danfoss can be taken as capably as picked to act.

[https://py.bijouxmedusa.com/About/Resources/Documents/Marketing\\_Step\\_By\\_Step\\_USA\\_96\\_1317\\_Content\\_Marketing\\_Step\\_By\\_Step\\_For.pdf](https://py.bijouxmedusa.com/About/Resources/Documents/Marketing_Step_By_Step_USA_96_1317_Content_Marketing_Step_By_Step_For.pdf)

## **Table of Contents Connection Example Danfoss**

1. Understanding the eBook Connection Example Danfoss
  - The Rise of Digital Reading Connection Example Danfoss
  - Advantages of eBooks Over Traditional Books
2. Identifying Connection Example Danfoss
  - Exploring Different Genres
  - Considering Fiction vs. Non-Fiction
  - Determining Your Reading Goals
3. Choosing the Right eBook Platform
  - Popular eBook Platforms
  - Features to Look for in an Connection Example Danfoss
  - User-Friendly Interface
4. Exploring eBook Recommendations from Connection Example Danfoss
  - Personalized Recommendations
  - Connection Example Danfoss User Reviews and Ratings
  - Connection Example Danfoss and Bestseller Lists
5. Accessing Connection Example Danfoss Free and Paid eBooks
  - Connection Example Danfoss Public Domain eBooks

- Connection Example Danfoss eBook Subscription Services
- Connection Example Danfoss Budget-Friendly Options
- 6. Navigating Connection Example Danfoss eBook Formats
  - ePub, PDF, MOBI, and More
  - Connection Example Danfoss Compatibility with Devices
  - Connection Example Danfoss Enhanced eBook Features
- 7. Enhancing Your Reading Experience
  - Adjustable Fonts and Text Sizes of Connection Example Danfoss
  - Highlighting and Note-Taking Connection Example Danfoss
  - Interactive Elements Connection Example Danfoss
- 8. Staying Engaged with Connection Example Danfoss
  - Joining Online Reading Communities
  - Participating in Virtual Book Clubs
  - Following Authors and Publishers Connection Example Danfoss
- 9. Balancing eBooks and Physical Books Connection Example Danfoss
  - Benefits of a Digital Library
  - Creating a Diverse Reading Collection Connection Example Danfoss
- 10. Overcoming Reading Challenges
  - Dealing with Digital Eye Strain
  - Minimizing Distractions
  - Managing Screen Time
- 11. Cultivating a Reading Routine Connection Example Danfoss
  - Setting Reading Goals Connection Example Danfoss
  - Carving Out Dedicated Reading Time
- 12. Sourcing Reliable Information of Connection Example Danfoss
  - Fact-Checking eBook Content of Connection Example Danfoss
  - Distinguishing Credible Sources
- 13. Promoting Lifelong Learning
  - Utilizing eBooks for Skill Development
  - Exploring Educational eBooks

## 14. Embracing eBook Trends

- Integration of Multimedia Elements
- Interactive and Gamified eBooks

### **Connection Example Danfoss Introduction**

In this digital age, the convenience of accessing information at our fingertips has become a necessity. Whether its research papers, eBooks, or user manuals, PDF files have become the preferred format for sharing and reading documents. However, the cost associated with purchasing PDF files can sometimes be a barrier for many individuals and organizations. Thankfully, there are numerous websites and platforms that allow users to download free PDF files legally. In this article, we will explore some of the best platforms to download free PDFs. One of the most popular platforms to download free PDF files is Project Gutenberg. This online library offers over 60,000 free eBooks that are in the public domain. From classic literature to historical documents, Project Gutenberg provides a wide range of PDF files that can be downloaded and enjoyed on various devices. The website is user-friendly and allows users to search for specific titles or browse through different categories. Another reliable platform for downloading Connection Example Danfoss free PDF files is Open Library. With its vast collection of over 1 million eBooks, Open Library has something for every reader. The website offers a seamless experience by providing options to borrow or download PDF files. Users simply need to create a free account to access this treasure trove of knowledge. Open Library also allows users to contribute by uploading and sharing their own PDF files, making it a collaborative platform for book enthusiasts. For those interested in academic resources, there are websites dedicated to providing free PDFs of research papers and scientific articles. One such website is Academia.edu, which allows researchers and scholars to share their work with a global audience. Users can download PDF files of research papers, theses, and dissertations covering a wide range of subjects. Academia.edu also provides a platform for discussions and networking within the academic community. When it comes to downloading Connection Example Danfoss free PDF files of magazines, brochures, and catalogs, Issuu is a popular choice. This digital publishing platform hosts a vast collection of publications from around the world. Users can search for specific titles or explore various categories and genres. Issuu offers a seamless reading experience with its user-friendly interface and allows users to download PDF files for offline reading. Apart from dedicated platforms, search engines also play a crucial role in finding free PDF files. Google, for instance, has an advanced search feature that allows users to filter results by file type. By specifying the file type as "PDF," users can find websites that offer free PDF downloads on a specific topic. While downloading Connection Example Danfoss free PDF files is convenient, its important to note that copyright laws must be respected. Always ensure that the PDF files you download are legally available for free. Many authors and publishers voluntarily provide free PDF versions of their work, but its essential to be

cautious and verify the authenticity of the source before downloading Connection Example Danfoss. In conclusion, the internet offers numerous platforms and websites that allow users to download free PDF files legally. Whether its classic literature, research papers, or magazines, there is something for everyone. The platforms mentioned in this article, such as Project Gutenberg, Open Library, Academia.edu, and Issuu, provide access to a vast collection of PDF files. However, users should always be cautious and verify the legality of the source before downloading Connection Example Danfoss any PDF files. With these platforms, the world of PDF downloads is just a click away.

### **FAQs About Connection Example Danfoss Books**

How do I know which eBook platform is the best for me? Finding the best eBook platform depends on your reading preferences and device compatibility. Research different platforms, read user reviews, and explore their features before making a choice. Are free eBooks of good quality? Yes, many reputable platforms offer high-quality free eBooks, including classics and public domain works. However, make sure to verify the source to ensure the eBook credibility. Can I read eBooks without an eReader? Absolutely! Most eBook platforms offer webbased readers or mobile apps that allow you to read eBooks on your computer, tablet, or smartphone. How do I avoid digital eye strain while reading eBooks? To prevent digital eye strain, take regular breaks, adjust the font size and background color, and ensure proper lighting while reading eBooks. What the advantage of interactive eBooks? Interactive eBooks incorporate multimedia elements, quizzes, and activities, enhancing the reader engagement and providing a more immersive learning experience. Connection Example Danfoss is one of the best book in our library for free trial. We provide copy of Connection Example Danfoss in digital format, so the resources that you find are reliable. There are also many Ebooks of related with Connection Example Danfoss. Where to download Connection Example Danfoss online for free? Are you looking for Connection Example Danfoss PDF? This is definitely going to save you time and cash in something you should think about. If you trying to find then search around for online. Without a doubt there are numerous these available and many of them have the freedom. However without doubt you receive whatever you purchase. An alternate way to get ideas is always to check another Connection Example Danfoss. This method for see exactly what may be included and adopt these ideas to your book. This site will almost certainly help you save time and effort, money and stress. If you are looking for free books then you really should consider finding to assist you try this. Several of Connection Example Danfoss are for sale to free while some are payable. If you arent sure if the books you would like to download works with for usage along with your computer, it is possible to download free trials. The free guides make it easy for someone to free access online library for download books to your device. You can get free download on free trial for lots of books categories. Our library is the biggest of these that have literally hundreds of thousands of different

products categories represented. You will also see that there are specific sites catered to different product types or categories, brands or niches related with Connection Example Danfoss. So depending on what exactly you are searching, you will be able to choose e books to suit your own need. Need to access completely for Campbell Biology Seventh Edition book? Access Ebook without any digging. And by having access to our ebook online or by storing it on your computer, you have convenient answers with Connection Example Danfoss To get started finding Connection Example Danfoss, you are right to find our website which has a comprehensive collection of books online. Our library is the biggest of these that have literally hundreds of thousands of different products represented. You will also see that there are specific sites catered to different categories or niches related with Connection Example Danfoss So depending on what exactly you are searching, you will be able to choose ebook to suit your own need. Thank you for reading Connection Example Danfoss. Maybe you have knowledge that, people have search numerous times for their favorite readings like this Connection Example Danfoss, but end up in harmful downloads. Rather than reading a good book with a cup of coffee in the afternoon, instead they juggled with some harmful bugs inside their laptop. Connection Example Danfoss is available in our book collection an online access to it is set as public so you can download it instantly. Our digital library spans in multiple locations, allowing you to get the most less latency time to download any of our books like this one. Merely said, Connection Example Danfoss is universally compatible with any devices to read.

### **Find Connection Example Danfoss :**

*marketing step by step USA 96-1317 content marketing step by step for 96-1279 smart home tech checklist for creators 96-2223 smart home tech*  
**examples for startups 96-2813 machine learning basics explained America**  
*America 96-972 healthy recipes guide for creators 96-396 healthy recipes*  
*investing checklist for creators 96-423 real estate investing checklist*  
*crypto investing tools for small business 96-201 crypto investing tools*  
*strategies America 96-1059 smart home tech strategies America 96-1679*  
**marketing explained for small business 96-1949 TikTok marketing for**  
*America 96-596 blockchain development comparison United States 96-2071*  
*96-2733 startup funding case study United States 96-2353 startup funding*  
**entrepreneurs 96-2809 data science careers step by step United States**  
*startups 96-1614 passive income ideas case study USA 96-606 passive*  
*States 96-1807 data science careers software United States 96-2027 data*

**remote jobs roadmap America 96-2583 remote jobs roadmap USA 96-1918**

review for creators 96-1144 career growth review for small business

**Connection Example Danfoss :**

carte michelin côte d azur plan côte d azur - Jul 14 2023

web the michelin regional provence alpes côte d azur map with it s 1 200 000 scale 1cm 2km provides all the information you need to make the most of your trip in france

provence alpes côte d azur michelin guide - Sep 23 2021

**provence alpes côte d azur 1 20 of 356 restaurants** - May 12 2023

web starred restaurants bib gourmand all the michelin restaurants find and book the best restaurants in provence alpes côte d azur on the michelin guide s official website

**carte provence alpes cote d azur michelin 2017 by michelin** - Jun 20 2021

**provence alpes côte d azur 2023 michelin la compagnie des** - Mar 30 2022

web starred restaurants bib gourmand all the michelin restaurants find the best restaurants in provence alpes côte d azur on the michelin guide s official website michelin

carte michelin côte d azur plan côte d azur - Mar 10 2023

web michelin Éditions actualités trouver un libraire contact created with sketch x mini cartes régions cartes zoom cartes maxi régional atlas routiers et touristiques

michelin provence alpes côte d azur map viamichelin - Aug 15 2023

web starred restaurants bib gourmand all the michelin restaurants find the best restaurants in provence alpes côte d azur on the michelin guide s official website michelin

carte provence alpes cote d azur michelin 2017 by michelin - Jun 13 2023

web france provence alpes côte d azur restaurants restaurants étoilés bib gourmand et tous les restaurants de la sélection michelin trouvez les meilleurs restaurants

carte provence alpes cote d azur michelin 2017 - Dec 27 2021

web map of provence alpes cte d azur michelin achat michelin cote azur pas cher ou d occasion rakuten itinraire de la route napolon provence alpes cte d azur map of

**carte régionale 527 provence alpes côte d azur michelin** - Oct 05 2022

web la carte régionale provence alpes côte d azur au 1 200 000 ème 1 cm 2 km vous accompagne dans tous vos déplacements indication des stations services et des alertes

**provence alpes côte d azur michelin guide** - Aug 03 2022

web restaurants du guide michelin france provence alpes côte d azur restaurants poissons et fruits de mer retrouvez tous les restaurants poissons et fruits de mer les

**conférences des amis du musée calvet provence alpes côte** - Nov 25 2021

**carte michelin côte d azur plan côte d azur viamichelin** - Aug 23 2021

**provence alpes côte d azur 1 1 sur 1 restaurants michelin** - Jan 28 2022

web starred restaurants bib gourmand all the michelin restaurants find the best restaurants in provence alpes côte d azur on the michelin guide s official website michelin

*provence alpes côte d azur 1 7 sur 7 restaurants michelin* - Oct 25 2021

*michelin french riviera map viamichelin* - Jan 08 2023

web jan 5 2023 une carte routière et touristique michelin pour être maître de votre itinéraire mise à jour 2023 pratique et utile echelle 1 200 000 ème 1 cm 2 km format 11 3

**provence alpes côte d azur michelin editions** - Jun 01 2022

web oct 17 2023 welcome to provence alpes côte d azur france s top destination for 100 green tourism home to 4 national parks 9 regional nature reserves countless protected

provence alpes côte d azur michelin guide - Nov 06 2022

web provence alpes côte d azur 1 7 7 restoranları maalesef aradığınız bölgede seçilmiş restoran bulunmamaktadır michelin rehberi nin kapsadığı alanlar düzenli olarak

provence alpes côte d azur michelin restaurants the - Jul 22 2021

**provence alpes côte d azur 1 7 7 restoranları michelin guide** - Apr 30 2022

web france provence alpes côte d azur restaurants 1 Étoile retrouvez tous les restaurants 1 Étoile les avis des inspecteurs michelin et d autres informations utiles sur le site

carte provence alpes côte d azur 2023 michelin fnac - Jul 02 2022

web success next door to the proclamation as with ease as perception of this carte provence alpes cote d azur michelin 2017

can be taken as competently as picked to act the

**restaurants 3 étoiles michelin provence alpes côte d azur** - Feb 26 2022

web retrouvez les plans détaillés pour france provence alpes côte d azur côte d azur sur viamichelin avec des informations sur le trafic routier la possibilité de réserver un

*provence alpes côte d azur michelin editions* - Sep 04 2022

web spécialités de canard spécialités de viandes rôties cantonaises viande et fruits de mer de thaïlande du nord guide michelin france provence alpes côte d azur

**carte provence alpes côte d azur viamichelin** - Sep 16 2023

web alpes cte d azur guide de voyage cte d azur le guide vert michelin fr carte region provence alpes cote d azur 2013 n mappa provence alpes cte d azur cartina

**michelin star restaurants in provence the top tables** - Dec 07 2022

web trouver une librairie l une d elles est forcément près de chez vous

**michelin regional map 527 provence alpes french riviera** - Apr 11 2023

web la carte régionale michelin provence alpes côte d azur au 1 200 000ème 1cm 2km vous accompagne dans tous vos déplacements retrouvez la lisibilité et la fiabilité de la

**provence alpes côte d azur michelin guide** - Feb 09 2023

web restaurants du guide michelin france provence alpes côte d azur restaurants restaurants étoilés bib gourmand et tous les restaurants de la sélection michelin

*parsifal libretto with translation act 1 monsalvat* - Dec 05 2022

web oct 29 2023 act 1 of a new english prose translation of richard wagner s last music drama parsifal with commentary and thematic references monsalvat the parsifal home page english translation act 1

**parsifal orlando cimosse vol 1 italian edition kindle edition** - Oct 15 2023

web mar 24 2018 parsifal orlando cimosse vol 1 italian edition kindle edition by hauptmann gerhart spaic luca fragnito gerardo download it once and read it on your kindle device pc phones or tablets use features like bookmarks note taking and highlighting while reading parsifal orlando cimosse vol 1 italian edition

*parsifal summary characters background facts britannica* - Feb 07 2023

web parsifal music drama in three acts by german composer richard wagner with a german libretto by the composer the work was first performed in bayreuth bavaria germany in 1882 not long after wagner s death learn more

*metropolitan opera parsifal* - May 30 2022

web email signup find the metropolitan opera on facebook opens new window find the metropolitan opera on twitter opens

new window find the metropolitan opera on instagram opens new window

**parsifal orlando cimose vol 1 uniport edu** - Jun 30 2022

web may 20 2023 parsifal orlando cimose vol 1 1 1 downloaded from uniport edu ng on may 20 2023 by guest parsifal orlando cimose vol 1 yeah reviewing a books parsifal orlando cimose vol 1 could ensue your close friends listings this is just one of the solutions for you to be successful as understood realization does not suggest that you

**download solutions parsifal orlando cimose vol 1** - Mar 08 2023

web 1 parsifal orlando cimose vol 1 modern taste apr 01 2023 modern taste art deco in paris 1910 1935 offers readers an opportunity to appreciate examine assess and enjoy an artistic movement that defies easy definition but which has been described as the last of the total styles art

[parsifal orlando cimose vol 1 jmssenioreliving com](#) - Feb 24 2022

web title parsifal orlando cimose vol 1 download only jmssenioreliving com author marisa kane subject der ketzer von soana created date 10 8 2023 3 05 56 am

**parsifal orlando cimose vol 1 portal nivbook co** - Mar 28 2022

web parsifal orlando cimose vol 1 1 parsifal orlando cimose vol 1 der ketzer von soana parsifal orlando cimose vol 1 downloaded from portal nivbook co il by guest rodgers mohammed der ketzer von soana der ketzer von soana der ketzer von soana related with parsifal orlando cimose vol 1 balancing act practice worksheet answers

**ebook parsifal orlando cimose vol 1** - May 10 2023

web 1 parsifal orlando cimose vol 1 the vindolanda writing tablets mar 25 2023 raccolta degli atti del governo di s m il re di sardegna dall anno 1814 a tutto il 1832 aug 26 2020 raccolta degli atti dei governi di milano e di venezia e delle disposizioni generali emanate dalle diverse autorità in oggetti si amministrativi che giudiziari

*parsifal orlando cimose vol 1 pdf uniport edu* - Sep 14 2023

web sep 5 2023 parsifal orlando cimose vol 1 1 1 downloaded from uniport edu ng on september 5 2023 by guest parsifal orlando cimose vol 1 thank you completely much for downloading parsifal orlando cimose vol 1 maybe you have knowledge that people have look numerous period for their favorite books with this parsifal orlando

*download solutions parsifal orlando cimose vol 1* - Aug 01 2022

web 1 parsifal orlando cimose vol 1 iglesia aug 04 2020 gazzetta ufficiale del regno d italia jan 27 2020 nuovo dizionario universale tecnologico o di arti e mestieri e della economia industriale e commerciale compilato dai signori lenormand etc prima trad italiana jun 13 2021 collezione di leggi e regolamenti pubblicati dall imp

*parsifal orlando cimose vol 1 help environment harvard edu* - Jul 12 2023

web parsifal orlando cimose vol 1 a practical guide to the testing of insulated wires and cables jul 16 2021 color and

colorimetry multidisciplinary contributions jul 28 2022 the italian renaissance state apr 05 2023 this magisterial study proposes a revised and innovative view of the political history of renaissance italy

*parsifal orlando cimosse vol 1 uniport edu* - Oct 03 2022

web may 28 2023 have remained in right site to start getting this info acquire the *parsifal orlando cimosse vol 1* associate that we offer here and check out the link you could purchase lead *parsifal orlando cimosse vol 1* or get it as soon as feasible

**parsifal orlando cimosse vol 1 copy uniport edu** - Jan 06 2023

web sep 15 2023 useful you have remained in right site to begin getting this info get the *parsifal orlando cimosse vol 1* partner that we find the money for here and check out the link you could buy lead *parsifal orlando cimosse vol 1* or acquire it as soon as feasible you could speedily download this *parsifal orlando cimosse vol 1* after getting

*parsifal orlando cimosse vol 1 2023 pqr uiaf gov co* - Apr 09 2023

web *parsifal orlando cimosse vol 1* but end up in malicious downloads rather than enjoying a good book with a cup of coffee in the afternoon instead they juggled with some infectious virus inside their desktop

*parsifal orlando cimosse vol 1 store kawan equipment* - Sep 02 2022

web title *parsifal orlando cimosse vol 1* download only store kawan equipment author ford kirsten created date 6 21 2023 4 27 51 am

*parsifal orlando cimosse vol 1 uniport edu* - Nov 04 2022

web *parsifal orlando cimosse vol 1 1 1* downloaded from uniport edu ng on june 3 2023 by guest *parsifal orlando cimosse vol 1* right here we have countless book *parsifal orlando cimosse vol 1* and collections to check out we additionally allow variant types and plus type of the books to browse the pleasing book fiction history novel scientific

**parsifal orlando cimosse vol 1 dev rideicon** - Apr 28 2022

web *parsifal orlando cimosse vol 1 1* *parsifal orlando cimosse vol 1* *parsifal orlando cimosse vol 1* downloaded from dev rideicon com by guest sierra freddy best

**parsifal orlando cimosse vol 1 pdf 50storiesfortomorrow ilfu** - Aug 13 2023

web enter the realm of *parsifal orlando cimosse vol 1* a mesmerizing literary masterpiece penned by a distinguished author guiding readers on a profound journey to unravel the secrets and potential hidden within every word

**parsifal orlando cimosse vol 1 pdf zenith maritimetrainer** - Jun 11 2023

web title *parsifal orlando cimosse vol 1 pdf zenith maritimetrainer com* author kennedy mann subject der ketzer von soana created date 10 30 2023 5 31 39 am

*sounds of language west virginia university* - Jun 19 2023

web an introduction to phonetics and phonology elizabeth c zsig a john wiley sons ltd publication the sounds of language an

introduction to phonetics and phonology first edition elizabeth c zsigá 2013 elizabeth c zsigá published 2013 by blackwell publishing ltd chapter outline

[the sounds of language an introduction to phonetics and](#) - Mar 16 2023

web zsigá presents a critical overview of different approaches that have been used in tackling these issues with opportunities for students to practice data analysis and hypothesis testing data on sociolinguistic variation first language acquisition and second language learning are integrated throughout the text along with valuable exercises

**the sounds of language ebook by elizabeth c zsigá rakuten kobo** - Apr 05 2022

web read the sounds of language an introduction to phonetics and phonology by elizabeth c zsigá available from rakuten kobo the sounds of language is an introductory guide to the linguistic study of speech sounds which provides uniquely balanced

**zsigá the sounds of language an introduction to phonetics** - Dec 13 2022

web zsigá the sounds of language an introduction to phonetics and phonology home browse by chapter browse by chapter

**zsigá the sounds of language an introduction to phonetics and** - Apr 17 2023

web they include group activities and analysis of articulation sounds and classes of terms the links direct you to interactive diagrams videos databases lectures case studies speech files for worldwide dialects and further background material on historical topics

**pdf the sounds of language an introduction to phonetics and** - Oct 23 2023

web dec 1 2016 the sounds of language an introduction to phonetics and phonology by elizabeth c zsigá december 2016 10 1353 lan 2016 0082 authors lauren m ackerman newcastle university haley boone

**pdf the sounds of language by elizabeth c zsigá perlego** - Mar 04 2022

web the sounds of language is an introductory guide to the linguistic study of speech sounds which provides uniquely balanced coverage of both phonology and phonetics features exercises and problem sets as well as supporting online resources at wiley com go zsigá including additional discussion questions and exercises as

**the sounds of language an introduction to phonetics and phonology** - May 06 2022

web nov 26 2012 elizabeth c zsigá the sounds of language an introduction to phonetics and phonology linguistics in the world 1st edition kindle edition by elizabeth c zsigá author format kindle edition 55 ratings part of linguistics in the world 6 books see all formats and editions etextbook 46 00 read with our free app

**elizabeth c zsigá the sounds of language an introduction** - Nov 12 2022

web dec 1 2015 doi 10 1017 s0025100315000237 corpus id 151669072 elizabeth c zsigá the sounds of language an introduction to phonetics and phonology linguistics in the world malden ma oxford wiley blackwell 2013

*elizabeth c zsigá the sounds of language an introduction* - Jul 20 2023

web dec 15 2015 elizabeth c zsigá the sounds of language an introduction to phonetics and phonology linguistics in the world malden ma oxford wiley blackwell 2013 pp xvii 474 isbn 978 1 4051 9103 6

**wiley the sounds of language an introduction to phonetics and** - Feb 15 2023

web elizabeth c zsigá description the sounds of language is an introductory guide to the linguistic study of speech sounds which provides uniquely balanced coverage of both phonology and phonetics features exercises and problem sets as well as supporting online resources at wiley com go zsigá including additional

**the sounds of language an introduction to phonetics and** - Jul 08 2022

web the sounds of language an introduction to phonetics and phonology zsigá elizabeth c free download borrow and streaming internet archive

**the sounds of language an introduction to phonetics and phonology** - Jun 07 2022

web jan 29 2013 elizabeth c zsigá published 29 january 2013 linguistics digital recordings make a palatogram solve a phoneme allophone problem or read a spectrogram to the theoretical including the role of markedness in linguistic theory the necessity of abstraction features and formal notation issues in speech perception as

**the sounds of language an introduction to phonetics and** - Aug 09 2022

web jan 29 2013 digital recordings make a palatogram solve a phoneme allophone problem or read a spectrogram to the theoretical including the role of markedness in linguistic theory the necessity of abstraction features and formal notation issues in speech perception as distinct from hearing and modelling sociolinguistic and other variations

**the sounds of language google books** - Aug 21 2023

web nov 26 2012 elizabeth c zsigá john wiley sons nov 26 2012 language arts disciplines 496 pages

**the sounds of language an introduction to phonetics and phonology** - Sep 22 2023

web the sounds of language is an introductory guide to the linguistic study of speech sounds which provides uniquely balanced coverage of both phonology and phonetics features exercises and problem sets as well as supporting online resources at wiley com go zsigá including additional discussion questions and exercises as

**the sounds of language an introduction to phonetics and phonology** - May 18 2023

web jan 18 2013 the sounds of language is an introductory guide to the linguistic study of speech sounds which provides uniquely balanced coverage of both phonology and phonetics features exercises and problem sets as well as supporting online resources at wiley com go zsigá including additional discussion questions and exercises as

**the sounds of language elizabeth zsigá cambridge university** - Sep 10 2022

web an introduction to language and linguistics links to websites chapter 1 sil media release labiodental flap read about the latest ipa symbol acoustics demos fun demos on sound propagation sine wave addition and other acoustic principles whales

and sonar how loud is too loud an article from the washington post february 18 2006

**elizabeth c zsig** **the sounds of language an introduction** - Oct 11 2022

web dec 1 2015 request pdf elizabeth c zsig the sounds of language an introduction to phonetics and phonology linguistics in the world malden ma oxford wiley blackwell 2013 pp xvii 474 isbn

**pdf the sounds of language an introduction to phonetics and** - Jan 14 2023

web dec 20 2016 the sounds of language an introduction to phonetics and phonology by elizabeth c zsig review lauren ackerman haley boone m martinez published 20 december 2016 linguistics