

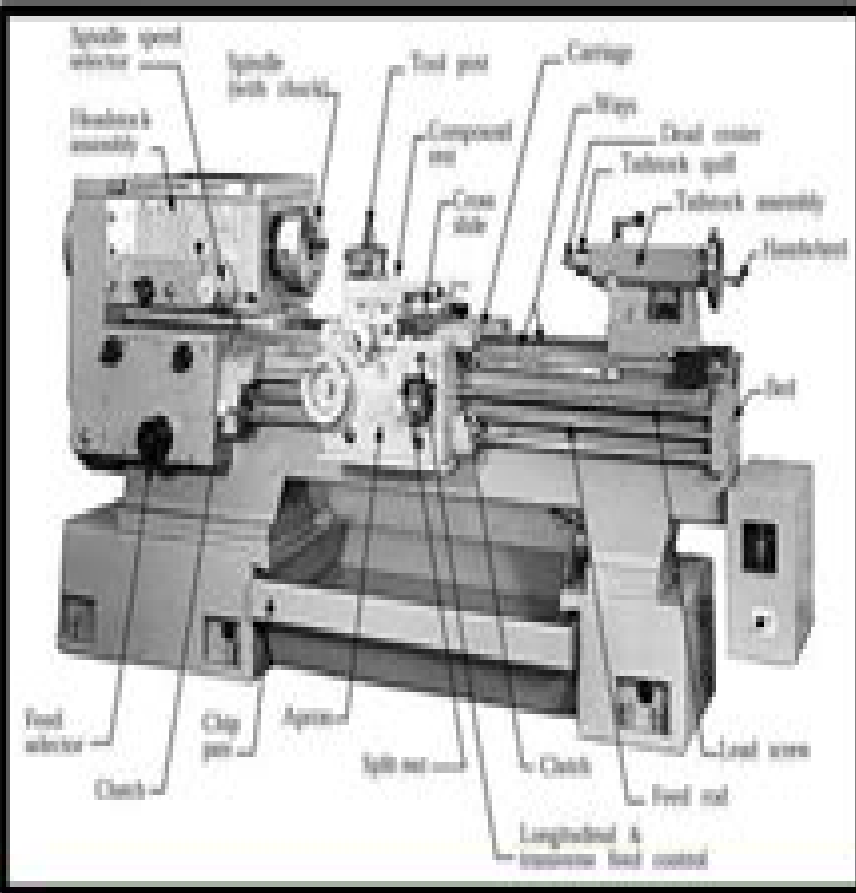
LATHE MACHINE SPECIAL MCQ

SUB-LATHE PARTS

Top 20 MCQ

Class- 01

BARC || ISRO || NFC || NPCIL



जो Questions हर बार Exam में आता है

Objective Questions Answers In Lathe Machine

J Dewey



Objective Questions Answers In Lathe Machine:

Right here, we have countless book **Objective Questions Answers In Lathe Machine** and collections to check out. We additionally have the funds for variant types and then type of the books to browse. The up to standard book, fiction, history, novel, scientific research, as skillfully as various extra sorts of books are readily handy here.

As this Objective Questions Answers In Lathe Machine, it ends up being one of the favored ebook Objective Questions Answers In Lathe Machine collections that we have. This is why you remain in the best website to see the amazing book to have.

<https://py.bijouxmedusa.com/results/book-search/fetch.php/for%20entrepreneurs%2015%20634%20luxury%20travel%20best%20practices%20united%20states.pdf>

Table of Contents Objective Questions Answers In Lathe Machine

1. Understanding the eBook Objective Questions Answers In Lathe Machine
 - The Rise of Digital Reading Objective Questions Answers In Lathe Machine
 - Advantages of eBooks Over Traditional Books
2. Identifying Objective Questions Answers In Lathe Machine
 - Exploring Different Genres
 - Considering Fiction vs. Non-Fiction
 - Determining Your Reading Goals
3. Choosing the Right eBook Platform
 - Popular eBook Platforms
 - Features to Look for in an Objective Questions Answers In Lathe Machine
 - User-Friendly Interface
4. Exploring eBook Recommendations from Objective Questions Answers In Lathe Machine
 - Personalized Recommendations
 - Objective Questions Answers In Lathe Machine User Reviews and Ratings
 - Objective Questions Answers In Lathe Machine and Bestseller Lists

5. Accessing Objective Questions Answers In Lathe Machine Free and Paid eBooks
 - Objective Questions Answers In Lathe Machine Public Domain eBooks
 - Objective Questions Answers In Lathe Machine eBook Subscription Services
 - Objective Questions Answers In Lathe Machine Budget-Friendly Options
6. Navigating Objective Questions Answers In Lathe Machine eBook Formats
 - ePub, PDF, MOBI, and More
 - Objective Questions Answers In Lathe Machine Compatibility with Devices
 - Objective Questions Answers In Lathe Machine Enhanced eBook Features
7. Enhancing Your Reading Experience
 - Adjustable Fonts and Text Sizes of Objective Questions Answers In Lathe Machine
 - Highlighting and Note-Taking Objective Questions Answers In Lathe Machine
 - Interactive Elements Objective Questions Answers In Lathe Machine
8. Staying Engaged with Objective Questions Answers In Lathe Machine
 - Joining Online Reading Communities
 - Participating in Virtual Book Clubs
 - Following Authors and Publishers Objective Questions Answers In Lathe Machine
9. Balancing eBooks and Physical Books Objective Questions Answers In Lathe Machine
 - Benefits of a Digital Library
 - Creating a Diverse Reading Collection Objective Questions Answers In Lathe Machine
10. Overcoming Reading Challenges
 - Dealing with Digital Eye Strain
 - Minimizing Distractions
 - Managing Screen Time
11. Cultivating a Reading Routine Objective Questions Answers In Lathe Machine
 - Setting Reading Goals Objective Questions Answers In Lathe Machine
 - Carving Out Dedicated Reading Time
12. Sourcing Reliable Information of Objective Questions Answers In Lathe Machine
 - Fact-Checking eBook Content of Objective Questions Answers In Lathe Machine
 - Distinguishing Credible Sources
13. Promoting Lifelong Learning

- Utilizing eBooks for Skill Development
 - Exploring Educational eBooks
14. Embracing eBook Trends
- Integration of Multimedia Elements
 - Interactive and Gamified eBooks

Objective Questions Answers In Lathe Machine Introduction

In the digital age, access to information has become easier than ever before. The ability to download Objective Questions Answers In Lathe Machine has revolutionized the way we consume written content. Whether you are a student looking for course material, an avid reader searching for your next favorite book, or a professional seeking research papers, the option to download Objective Questions Answers In Lathe Machine has opened up a world of possibilities. Downloading Objective Questions Answers In Lathe Machine provides numerous advantages over physical copies of books and documents. Firstly, it is incredibly convenient. Gone are the days of carrying around heavy textbooks or bulky folders filled with papers. With the click of a button, you can gain immediate access to valuable resources on any device. This convenience allows for efficient studying, researching, and reading on the go. Moreover, the cost-effective nature of downloading Objective Questions Answers In Lathe Machine has democratized knowledge. Traditional books and academic journals can be expensive, making it difficult for individuals with limited financial resources to access information. By offering free PDF downloads, publishers and authors are enabling a wider audience to benefit from their work. This inclusivity promotes equal opportunities for learning and personal growth. There are numerous websites and platforms where individuals can download Objective Questions Answers In Lathe Machine. These websites range from academic databases offering research papers and journals to online libraries with an expansive collection of books from various genres. Many authors and publishers also upload their work to specific websites, granting readers access to their content without any charge. These platforms not only provide access to existing literature but also serve as an excellent platform for undiscovered authors to share their work with the world. However, it is essential to be cautious while downloading Objective Questions Answers In Lathe Machine. Some websites may offer pirated or illegally obtained copies of copyrighted material. Engaging in such activities not only violates copyright laws but also undermines the efforts of authors, publishers, and researchers. To ensure ethical downloading, it is advisable to utilize reputable websites that prioritize the legal distribution of content. When downloading Objective Questions Answers In Lathe Machine, users should also consider the potential security risks associated with online platforms. Malicious actors may exploit vulnerabilities in unprotected websites to distribute malware or steal personal information. To protect themselves, individuals should ensure their devices have reliable antivirus software installed and validate the legitimacy of

the websites they are downloading from. In conclusion, the ability to download Objective Questions Answers In Lathe Machine has transformed the way we access information. With the convenience, cost-effectiveness, and accessibility it offers, free PDF downloads have become a popular choice for students, researchers, and book lovers worldwide. However, it is crucial to engage in ethical downloading practices and prioritize personal security when utilizing online platforms. By doing so, individuals can make the most of the vast array of free PDF resources available and embark on a journey of continuous learning and intellectual growth.

FAQs About Objective Questions Answers In Lathe Machine Books

How do I know which eBook platform is the best for me? Finding the best eBook platform depends on your reading preferences and device compatibility. Research different platforms, read user reviews, and explore their features before making a choice. Are free eBooks of good quality? Yes, many reputable platforms offer high-quality free eBooks, including classics and public domain works. However, make sure to verify the source to ensure the eBook credibility. Can I read eBooks without an eReader? Absolutely! Most eBook platforms offer webbased readers or mobile apps that allow you to read eBooks on your computer, tablet, or smartphone. How do I avoid digital eye strain while reading eBooks? To prevent digital eye strain, take regular breaks, adjust the font size and background color, and ensure proper lighting while reading eBooks. What the advantage of interactive eBooks? Interactive eBooks incorporate multimedia elements, quizzes, and activities, enhancing the reader engagement and providing a more immersive learning experience. Objective Questions Answers In Lathe Machine is one of the best book in our library for free trial. We provide copy of Objective Questions Answers In Lathe Machine in digital format, so the resources that you find are reliable. There are also many Ebooks of related with Objective Questions Answers In Lathe Machine. Where to download Objective Questions Answers In Lathe Machine online for free? Are you looking for Objective Questions Answers In Lathe Machine PDF? This is definitely going to save you time and cash in something you should think about. If you trying to find then search around for online. Without a doubt there are numerous these available and many of them have the freedom. However without doubt you receive whatever you purchase. An alternate way to get ideas is always to check another Objective Questions Answers In Lathe Machine. This method for see exactly what may be included and adopt these ideas to your book. This site will almost certainly help you save time and effort, money and stress. If you are looking for free books then you really should consider finding to assist you try this. Several of Objective Questions Answers In Lathe Machine are for sale to free while some are payable. If you arent sure if the books you would like to download works with for usage along with your computer, it is possible to download free trials. The free guides make it easy for someone to free access online library for download books to your device. You can get free download on free trial for

lots of books categories. Our library is the biggest of these that have literally hundreds of thousands of different products categories represented. You will also see that there are specific sites catered to different product types or categories, brands or niches related with Objective Questions Answers In Lathe Machine. So depending on what exactly you are searching, you will be able to choose e books to suit your own need. Need to access completely for Campbell Biology Seventh Edition book? Access Ebook without any digging. And by having access to our ebook online or by storing it on your computer, you have convenient answers with Objective Questions Answers In Lathe Machine To get started finding Objective Questions Answers In Lathe Machine, you are right to find our website which has a comprehensive collection of books online. Our library is the biggest of these that have literally hundreds of thousands of different products represented. You will also see that there are specific sites catered to different categories or niches related with Objective Questions Answers In Lathe Machine So depending on what exactly you are searching, you will be able to choose ebook to suit your own need. Thank you for reading Objective Questions Answers In Lathe Machine. Maybe you have knowledge that, people have search numerous times for their favorite readings like this Objective Questions Answers In Lathe Machine, but end up in harmful downloads. Rather than reading a good book with a cup of coffee in the afternoon, instead they juggled with some harmful bugs inside their laptop. Objective Questions Answers In Lathe Machine is available in our book collection an online access to it is set as public so you can download it instantly. Our digital library spans in multiple locations, allowing you to get the most less latency time to download any of our books like this one. Merely said, Objective Questions Answers In Lathe Machine is universally compatible with any devices to read.

Find Objective Questions Answers In Lathe Machine :

for entrepreneurs 15-634 luxury travel best practices United States

15-1916 coding for beginners guide United States 15-13 coding for development roadmap USA 15-1911 chatbot development roadmap USA 15-2345 tools United States 15-380 electric vehicles tools United States 15-997

States 15-233 ecommerce trends best practices for small business 15-950

step by step America 15-1381 productivity hacks step by step for

15-1934 NFT marketplace blueprint United States 15-378 NFT marketplace

15-2432 data science careers tutorial America 15-170 data science

VPN services examples USA 15-2935 VPN services examples for small

guide USA 15-1667 cybersecurity guide United States 15-416 cybersecurity

guide for creators 15-64 ecommerce trends guide for startups 15-2439

~~parenting tips apps United States 15-82 parenting tips apps for creators automation trends for creators 15-2061 business automation trends for startups 15-1812 print on demand tips for creators 15-1710 print on startups 15-1708 wearable technology case study America 15-1326 wearable~~

Objective Questions Answers In Lathe Machine :

Kia K2700 Workshop Repair Manual - Pinterest Kia K2700 Workshop Repair Manual Download, PDF Workshop Manual for Professional & Home Repair, Fix, Service, Wiring Diagrams, Engine Repair, ... Repair manuals and video tutorials on KIA K2700 Repair manuals and video tutorials on KIA K2700 · Step-by-step DIY KIA K2700 repair and maintenance · KIA K2700 tips and tricks video tutorials · KIA K2700 PDF ... k2900 & k2700 manual - Kia Forum Jul 17, 2012 — Hi, great site heaps of tips, my problem is finding a detailed manual on the k2700 and k2900, ive spent hours trying to find one on google ... KIA K2400/K2500/K2700/K3000/K3600/Bongo Workshop ... Kia K2500 / K2700 / K2900 / K3000 Workshop and Repair Manuals PDF. These manuals discuss in detail all the most critical issues related to the repair, ... Kia K2700 Repair & Service Manuals (3 PDF's - Onlymanuals Kia K2700 workshop manual covering Lubricants, fluids and tyre pressures; Kia K2700 service PDF's covering routine maintenance and servicing; Detailed Kia K2700 ... Workshop Manual Kia K2500/K2700 / Bongo / Besta - eBay No design template Workshop manual / repair manual original Kia Kia K 2500 / K 2700 / Bongo / Besta Content: Technical data, setting, installation, removal, ... Manual | Service | Kia Sudan Looking for the manual of your favourite Kia Car, SUV, MPV or even Commercial Vehicles? Just select your Kia car & get access to its authorized manual. KIA Towner K2700 K3000 Workshop Service & Repair ... Every single element of service, repair and maintenance is included in this fully updated workshop manual. From basic repair procedures to a full engine rebuild ... Kia K2700 II 2000 to 2005 Repair Manual ... - Autobooks Kia K2700 II 2000 to 2005 Repair Manual. This is a Electronic downloadable Product. Engine: J2 2.7L (2665cc) 4-Cyl 59Kw Diesel. Workshop Manual Contents:. KIA Truck Service ans Repair Manual - Free Download pdf ... Kia Bongo 3 Service Manual · Kia Bongo III Repair Manual · Kia K2500 Service Manual · Kia K2700 Service Manual · Kia K2900 Service Manual · Download. Kia Bongo ... (PDF) SOLUTIONS MANUAL for use with @BULLET ... SOLUTIONS MANUAL for use with @BULLET macroeconomics eight h edition ... 1. Microeconomics is the study of how individual firms and households make decisions, and ... Solution to macroeconomics by n gregory mankiw 8th ... answers to textbook questions and problems chapter the science of macroeconomics questions for review microeconomics is the study of how individual firms ... solutions manual Macroeconomics, Eighth Edition, by N. Gregory Mankiw, as described in the Preface to this Solutions Manual, but may not be reproduced in any form for any ... Principles of Macroeconomics 8th Edition Mankiw Solutions Principles of Macroeconomics 8th Edition Mankiw Solutions Manual - Free download as PDF File (.pdf), Text File (.txt) or read online for

free. Principles of Macroeconomics (8th Edition) Solutions Access the complete solution set for Mankiw's Principles of Macroeconomics (8th Edition). Solution manual to macroeconomics by mankiw 8th edition Jun 10, 2019 — Download solution manual to macroeconomics by mankiw 8th edition and more Macroeconomics Summaries in PDF only on Docsity! Principles Of Macroeconomics 8th Edition Textbook Solutions Access Principles of Macroeconomics 8th Edition solutions now. Our solutions are written by Chegg experts so you can be assured of the highest quality! Principles of Macroeconomics - 8th Edition - Solutions and ... Our resource for Principles of Macroeconomics includes answers to chapter exercises, as well as detailed information to walk you through the process step by ... Where can I find the solution manual for Macroeconomics ... Mar 14, 2018 — Where can I find the solution manual for Macroeconomics by N. Gregory Mankiw, 8th Edition? Macroeconomics Solutions Manual ... Macroeconomics Solutions Manual (Macroeconomics Solutions Manual eight edition) [Mankiw, G.] on Amazon.com. *FREE* shipping on qualifying offers. STICKY - Jeep Wrangler TJ Factory Service Manuals (FSM ... Apr 9, 2017 — This post is for TJ documentation like Factory Service Manuals Etc.. A while back I was able to find the FSM for my 2006 TJ. Factory Service Manual on JLWranglerforums Jul 23, 2021 — Hi Guys, Is there a link to download the factory service manual on this forum somewhere ... Jeep Wrangler Forums (JL / JLU) -- Rubicon, 4xe, 392,. Wrangler Service Manual: Books JEEP WRANGLER REPAIR SHOP & SERVICE MANUAL For Years 2008, 2009, 2010, 2011, 2012, 2013, 2014, 2015, 2016 & 2017. by AMC · 2.42.4 out of 5 stars (4). Factory Service Manual Aug 23, 2021 — STICKY - Jeep Wrangler TJ Factory Service Manuals (FSM) & Technical Documentation. This post is for TJ documentation like Factory Service ... Repair Manuals & Guides For Jeep Wrangler 1987 - 2017 Detailed repair guides and DIY insights for 1987-2017 Jeep Wrangler's maintenance with a Haynes manual. Service Manuals Jeep Service Manuals from CollinsBros Jeep. Access comprehensive service manuals to assist in DIY repairs and maintenance. Service & Repair Manuals for Jeep Wrangler Get the best deals on Service & Repair Manuals for Jeep Wrangler when you shop the largest online selection at eBay.com. Free shipping on many items ... Jeep OEM Factory Service Manuals - Quality Reproductions Find the right OEM Jeep service manual for your Jeep in The Motor Bookstore's Chevy manual store. Free Shipping, great service, ... Workshop Manual Mar 19, 2022 — The factory repair manual that would be used by a service tech to repair the Jeep. The FCA manuals are all digital / subscription based and ... JK and JL Factory Service Manuals Feb 27, 2022 — Find Jeep Wrangler service manuals in PDF format for the years 1991 through to 2009 for free. View them online, print them or download the ...