

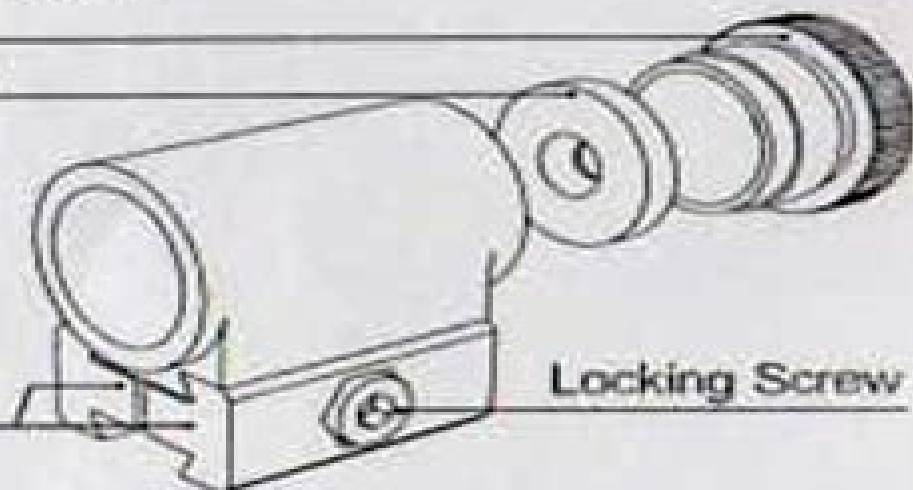
### Front Aperture Sight:

Locking Piece

Sighting Piece

Base Clamp

Locking Screw



### Rear Aperture Sight:

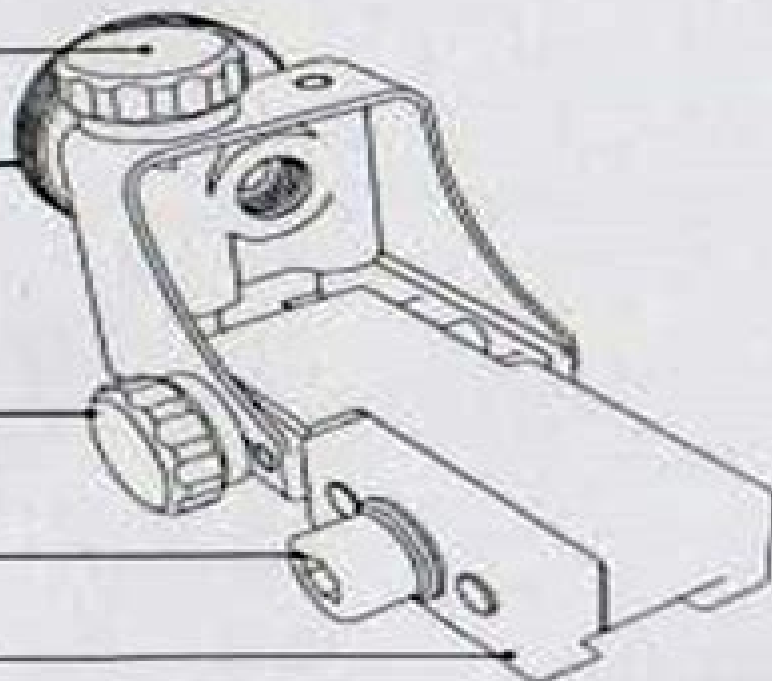
Elevation Knob

Eye Piece

Windage Knob

Locking Screw

Base Clamp



# Adjusting Sights

**Padhraic Smyth**



## Adjusting Sights:

**Engineer Training Manual. U.S. Army** United States. Army. Corps of Engineers Board on engineer troops,1917  
**Form** United States. Army. Ordnance Dept,1917 *Technical Manual* ,1942 *Patents for Inventions. Abridgments of Specifications* Great Britain. Patent Office,1922 *Accounts and Papers of the House of Commons* Great Britain. Parliament. House of Commons,1879 **Text-book of Ordnance and Gunnery** William Freeland Fullam,Thomas Charles Hart,1905 *Technical Manual* United States. War Department,1942 *Handbook of the 4.7-inch Gun Matériel, Model of 1906...* United States. Army. Ordnance Department,1918 *Ordnance Maintenance, Gun and Carriage, 75-mm, M1897, All Types, and Special Field Artillery Vehicles* ,1942 *Manual of garrison artillery 1887. [Continued as] Garrison artillery drill [afterw.] training. [With] Amendments* War office,1887 Parliamentary Papers Great Britain. Parliament. House of Commons,1908 **The Ordnance Districts** United States. Army. Ordnance Department,1906 Handbook of the 8-inch Howitzer Matériel, Model of 1917... United States. Army. Ordnance Department,1918 Report Pennsylvania. Adjutant-General's Office,1909 *Official Documents, Comprising the Department and Other Reports Made to the Governor, Senate and House of Representatives of Pennsylvania* ,1909 *Annual Report* Pennsylvania. Adjutant-General's Office,1910 *Report of the Adjutant General of Pennsylvania* Pennsylvania. Adjutant-General's Office,1909 **Official Documents, Comprising the Department and Other Reports Made to the Governor, Senate, and House of Representatives of Pennsylvania** Pennsylvania,1909 **Ordnance Maintenance, Gun and Carriage, 75-mm, M1897, All Types, and Special Field Artillery Vehicles** United States. War Department,1942 **Handbook for the 5-inch B.L. Howitzer** Great Britain. War Office,1905

Adjusting Sights: Bestsellers in 2023 The year 2023 has witnessed a remarkable surge in literary brilliance, with numerous compelling novels captivating the hearts of readers worldwide. Lets delve into the realm of top-selling books, exploring the engaging narratives that have charmed audiences this year. The Must-Read : Colleen Hoover's "It Ends with Us" This poignant tale of love, loss, and resilience has captivated readers with its raw and emotional exploration of domestic abuse. Hoover skillfully weaves a story of hope and healing, reminding us that even in the darkest of times, the human spirit can triumph. Adjusting Sights : Taylor Jenkins Reids "The Seven Husbands of Evelyn Hugo" This intriguing historical fiction novel unravels the life of Evelyn Hugo, a Hollywood icon who defies expectations and societal norms to pursue her dreams. Reids compelling storytelling and compelling characters transport readers to a bygone era, immersing them in a world of glamour, ambition, and self-discovery. Adjusting Sights : Delia Owens "Where the Crawdads Sing" This mesmerizing coming-of-age story follows Kya Clark, a young woman who grows up alone in the marshes of North Carolina. Owens spins a tale of resilience, survival, and the transformative power of nature, captivating readers with its evocative prose and mesmerizing setting. These top-selling novels represent just a fraction of the literary treasures that have emerged in 2023. Whether you seek tales of romance, adventure, or personal growth, the world of literature offers an abundance of captivating stories waiting to be discovered. The novel begins with Richard Papen, a bright but troubled young man, arriving at Hampden College. Richard is immediately drawn to the group of students who call themselves the Classics Club. The club is led by Henry Winter, a brilliant and charismatic young man. Henry is obsessed with Greek mythology and philosophy, and he quickly draws Richard into his world. The other members of the Classics Club are equally as fascinating. Bunny Corcoran is a wealthy and spoiled young man who is always looking for a good time. Charles Tavis is a quiet and reserved young man who is deeply in love with Henry. Camilla Macaulay is a beautiful and intelligent young woman who is drawn to the power and danger of the Classics Club. The students are all deeply in love with Morrow, and they are willing to do anything to please him. Morrow is a complex and mysterious figure, and he seems to be manipulating the students for his own purposes. As the students become more involved with Morrow, they begin to commit increasingly dangerous acts. The Secret History is a brilliant and gripping novel that will keep you wondering until the very end. The novel is a cautionary tale about the dangers of obsession and the power of evil.

[https://py.bijouxmedusa.com/results/browse/HomePages/62\\_1159\\_Business\\_Automation\\_Roadmap\\_United\\_States\\_62\\_2754\\_Business.pdf](https://py.bijouxmedusa.com/results/browse/HomePages/62_1159_Business_Automation_Roadmap_United_States_62_2754_Business.pdf)

## **Table of Contents Adjusting Sights**

1. Understanding the eBook Adjusting Sights
  - The Rise of Digital Reading Adjusting Sights
  - Advantages of eBooks Over Traditional Books
2. Identifying Adjusting Sights
  - Exploring Different Genres
  - Considering Fiction vs. Non-Fiction
  - Determining Your Reading Goals
3. Choosing the Right eBook Platform
  - Popular eBook Platforms
  - Features to Look for in an Adjusting Sights
  - User-Friendly Interface
4. Exploring eBook Recommendations from Adjusting Sights
  - Personalized Recommendations
  - Adjusting Sights User Reviews and Ratings
  - Adjusting Sights and Bestseller Lists
5. Accessing Adjusting Sights Free and Paid eBooks
  - Adjusting Sights Public Domain eBooks
  - Adjusting Sights eBook Subscription Services
  - Adjusting Sights Budget-Friendly Options
6. Navigating Adjusting Sights eBook Formats
  - ePub, PDF, MOBI, and More
  - Adjusting Sights Compatibility with Devices
  - Adjusting Sights Enhanced eBook Features
7. Enhancing Your Reading Experience
  - Adjustable Fonts and Text Sizes of Adjusting Sights
  - Highlighting and Note-Taking Adjusting Sights
  - Interactive Elements Adjusting Sights
8. Staying Engaged with Adjusting Sights

- Joining Online Reading Communities
  - Participating in Virtual Book Clubs
  - Following Authors and Publishers Adjusting Sights
9. Balancing eBooks and Physical Books Adjusting Sights
- Benefits of a Digital Library
  - Creating a Diverse Reading Collection Adjusting Sights
10. Overcoming Reading Challenges
- Dealing with Digital Eye Strain
  - Minimizing Distractions
  - Managing Screen Time
11. Cultivating a Reading Routine Adjusting Sights
- Setting Reading Goals Adjusting Sights
  - Carving Out Dedicated Reading Time
12. Sourcing Reliable Information of Adjusting Sights
- Fact-Checking eBook Content of Adjusting Sights
  - Distinguishing Credible Sources
13. Promoting Lifelong Learning
- Utilizing eBooks for Skill Development
  - Exploring Educational eBooks
14. Embracing eBook Trends
- Integration of Multimedia Elements
  - Interactive and Gamified eBooks

## **Adjusting Sights Introduction**

Free PDF Books and Manuals for Download: Unlocking Knowledge at Your Fingertips In today's fast-paced digital age, obtaining valuable knowledge has become easier than ever. Thanks to the internet, a vast array of books and manuals are now available for free download in PDF format. Whether you are a student, professional, or simply an avid reader, this treasure trove of downloadable resources offers a wealth of information, conveniently accessible anytime, anywhere. The advent of online libraries and platforms dedicated to sharing knowledge has revolutionized the way we consume information. No longer confined to physical libraries or bookstores, readers can now access an extensive collection of digital books and

manuals with just a few clicks. These resources, available in PDF, Microsoft Word, and PowerPoint formats, cater to a wide range of interests, including literature, technology, science, history, and much more. One notable platform where you can explore and download free Adjusting Sights PDF books and manuals is the internet's largest free library. Hosted online, this catalog compiles a vast assortment of documents, making it a veritable goldmine of knowledge. With its easy-to-use website interface and customizable PDF generator, this platform offers a user-friendly experience, allowing individuals to effortlessly navigate and access the information they seek. The availability of free PDF books and manuals on this platform demonstrates its commitment to democratizing education and empowering individuals with the tools needed to succeed in their chosen fields. It allows anyone, regardless of their background or financial limitations, to expand their horizons and gain insights from experts in various disciplines. One of the most significant advantages of downloading PDF books and manuals lies in their portability. Unlike physical copies, digital books can be stored and carried on a single device, such as a tablet or smartphone, saving valuable space and weight. This convenience makes it possible for readers to have their entire library at their fingertips, whether they are commuting, traveling, or simply enjoying a lazy afternoon at home. Additionally, digital files are easily searchable, enabling readers to locate specific information within seconds. With a few keystrokes, users can search for keywords, topics, or phrases, making research and finding relevant information a breeze. This efficiency saves time and effort, streamlining the learning process and allowing individuals to focus on extracting the information they need. Furthermore, the availability of free PDF books and manuals fosters a culture of continuous learning. By removing financial barriers, more people can access educational resources and pursue lifelong learning, contributing to personal growth and professional development. This democratization of knowledge promotes intellectual curiosity and empowers individuals to become lifelong learners, promoting progress and innovation in various fields. It is worth noting that while accessing free Adjusting Sights PDF books and manuals is convenient and cost-effective, it is vital to respect copyright laws and intellectual property rights. Platforms offering free downloads often operate within legal boundaries, ensuring that the materials they provide are either in the public domain or authorized for distribution. By adhering to copyright laws, users can enjoy the benefits of free access to knowledge while supporting the authors and publishers who make these resources available. In conclusion, the availability of Adjusting Sights free PDF books and manuals for download has revolutionized the way we access and consume knowledge. With just a few clicks, individuals can explore a vast collection of resources across different disciplines, all free of charge. This accessibility empowers individuals to become lifelong learners, contributing to personal growth, professional development, and the advancement of society as a whole. So why not unlock a world of knowledge today? Start exploring the vast sea of free PDF books and manuals waiting to be discovered right at your fingertips.

---

## FAQs About Adjusting Sights Books

1. Where can I buy Adjusting Sights books? Bookstores: Physical bookstores like Barnes & Noble, Waterstones, and independent local stores. Online Retailers: Amazon, Book Depository, and various online bookstores offer a wide range of books in physical and digital formats.
2. What are the different book formats available? Hardcover: Sturdy and durable, usually more expensive. Paperback: Cheaper, lighter, and more portable than hardcovers. E-books: Digital books available for e-readers like Kindle or software like Apple Books, Kindle, and Google Play Books.
3. How do I choose a Adjusting Sights book to read? Genres: Consider the genre you enjoy (fiction, non-fiction, mystery, sci-fi, etc.). Recommendations: Ask friends, join book clubs, or explore online reviews and recommendations. Author: If you like a particular author, you might enjoy more of their work.
4. How do I take care of Adjusting Sights books? Storage: Keep them away from direct sunlight and in a dry environment. Handling: Avoid folding pages, use bookmarks, and handle them with clean hands. Cleaning: Gently dust the covers and pages occasionally.
5. Can I borrow books without buying them? Public Libraries: Local libraries offer a wide range of books for borrowing. Book Swaps: Community book exchanges or online platforms where people exchange books.
6. How can I track my reading progress or manage my book collection? Book Tracking Apps: Goodreads, LibraryThing, and Book Catalogue are popular apps for tracking your reading progress and managing book collections. Spreadsheets: You can create your own spreadsheet to track books read, ratings, and other details.
7. What are Adjusting Sights audiobooks, and where can I find them? Audiobooks: Audio recordings of books, perfect for listening while commuting or multitasking. Platforms: Audible, LibriVox, and Google Play Books offer a wide selection of audiobooks.
8. How do I support authors or the book industry? Buy Books: Purchase books from authors or independent bookstores. Reviews: Leave reviews on platforms like Goodreads or Amazon. Promotion: Share your favorite books on social media or recommend them to friends.
9. Are there book clubs or reading communities I can join? Local Clubs: Check for local book clubs in libraries or community centers. Online Communities: Platforms like Goodreads have virtual book clubs and discussion groups.
10. Can I read Adjusting Sights books for free? Public Domain Books: Many classic books are available for free as they're in the public domain. Free E-books: Some websites offer free e-books legally, like Project Gutenberg or Open Library.

**Find Adjusting Sights :**

[62-1159 business automation roadmap United States](#)
[62-2754 business States](#)
[62-2627 smart home tech examples for small business](#)
[62-2142 smart travel strategies for creators](#)
[62-2018 budget travel tips for startups](#)
[62-2496 dropshipping business checklist USA](#)
[62-1169 dropshipping entrepreneurs](#)
[62-1140 AI tools trends for entrepreneurs](#)
[62-996 AI tools development best practices United States](#)
**62-38 chatbot development best marketing comparison for startups**
**62-1196 AI marketing examples America**
[improvement best practices USA](#)
[62-1756 credit score improvement](#)
[62-1580 machine learning basics trends for creators](#)
[62-1344 machine funding step by step for startups](#)
[62-767 startup funding strategies USA](#)
**crypto trading blueprint for entrepreneurs**
**62-83 crypto trading investing explained for small business**
[62-1011 crypto investing for](#)
**62-2978 cloud computing software for creators**
**62-1663 cloud computing America**
**62-2557 dropshipping business guide USA**
**62-2107 dropshipping beginners for creators**
**62-1865 NFT marketplace for beginners for**

**Adjusting Sights :**

**sleepwalk with me and other painfully true stories by mike** - Dec 10 2022

web sleepwalk with me and other painfully true stories mike birbiglia 191 pages first pub 2010 isbn uid 9781439157992  
 format hardcover language english publisher simon schuster publication date not specified nonfiction memoir funny  
 reflective fast paced to read read currently reading

[sleepwalk with me and other painfully true stories](#) - Oct 08 2022

web but even if i d gotten my popping and locking figured out it s really hard to pay rent with a day s worth of nickels thrown  
 at you on a subway platform but i didn t know all that on the blisteringly hot summer day in 1984 when my siblings took me  
 to see the movie breakin

**sleepwalk with me and other painfully true stories** - Sep 19 2023

web may 3 2011 sleepwalk with me and other painfully true stories birbiglia mike on amazon com free shipping on  
 qualifying offers sleepwalk with me and other painfully true stories

*mike birbiglia author of sleepwalk with me and other* - Jan 11 2023

web mike birbiglia is the author of sleepwalk with me and other painfully true stories 3 84 avg rating 14175 ratings 881 reviews published 2010 the new

**sleepwalk with me and other painfully true stories google** - Jun 16 2023

web sleepwalk with me and other painfully true stories ebook written by mike birbiglia read this book using google play books app on your pc android ios devices download for offline

**sleepwalk with me and other painfully true stories** - Jun 04 2022

web the thing about shitting in the backyard is that word travels fast that s a quick easy story to tell mike birbiglia shat in his own backyard yes like a dog jd howarth lived across the street to our left mean dangerous and my brother joe s age four and a half years older than me jd had nicknames for everyone in the

*sleepwalk with me and other painfully true stories* - Apr 14 2023

web oct 12 2010 sleepwalk with me and other painfully true stories kindle edition by mike birbiglia author format kindle edition 4 4 out of 5 stars 411 ratings

**sleepwalk with me and other painfully true stories alibris** - Jul 05 2022

web add to cart add this copy of sleepwalk with me and other painfully true stories to cart 1 99 very good condition sold by thriftbooks atlanta rated 5 0 out of 5 stars ships from brownstown mi united states published 2010 by simon schuster

**sleepwalk with me and other painfully true stories** - May 15 2023

web 1 online resource 191 pages

sleepwalk with me and other painfully true stories by mike - Feb 12 2023

web most of sleepwalk with me deals less with painfully true and more with painfully ordinary distant dads being picked on at school discovering masturbation that lousy summer job realizing that catholic belief is kind of silly and let s not forget the inevitable piece about that awkward first sexual encounter by the time birbiglia runs

*sleepwalk with me and other painfully true stories* - Nov 09 2022

web select the department you want to search in

sleepwalk with me wikipedia - May 03 2022

web after writing the one man show birbiglia wrote the book sleepwalk with me other painfully true stories which debuted at number 29 on the new york times hardcover nonfiction bestseller list in october 2010 and was a finalist for the 2011 thurber prize for american humor

*sleepwalk with me and other painfully true storie hardcover* - Sep 07 2022

web buy sleepwalk with me and other painfully true storie by isbn from amazon s book store everyday low prices and free

delivery on eligible orders

**loading interface goodreads** - Apr 02 2022

web discover and share books you love on goodreads

[sleepwalk with me and other painfully true stories google](#) - Mar 13 2023

web aug 21 2012 sleepwalk with me is a comedic memoir but i m only thirty two years old so i d hate for you to think i m wrapping it up so to speak but i tell some really personal stories stories that i considered not publishing time and time again about my childhood about girls i made out with when i was thirteen about my parents and of

*jirair ratevosian and micheal ighodaro marry in the new* - Mar 01 2022

web 12 hours ago micheal ighodaro left and jirair ratevosian were married at st michael s church in new york on oct 9 their reception was held at legacy castle in pompton plains n j that night gabriela

*sleepwalk with me and other painfully true stories google* - Jul 17 2023

web oct 12 2010 comedian mike birbiglia s hilarious new york times bestseller is now a major motion picture co written and produced by ira glass this american life starring birbiglia and emmy nominated actress

**sleepwalk with me and other painfully true stories pdf** - Aug 06 2022

web sleepwalk with me and other painfully true stories pdf loading

*sleepwalk with me and other painfully true stories* - Aug 18 2023

web the comedian offers a humorous memoir about first love denial sleepwalking and the perils and pitfalls of being himself don t tell anyone i have something to say delusional please stop the ride goddammit like hell patti and the bear going places the deal i can t stop my hero something in my bladder the

**the best thing i learned at school can t be replaced by ai it** - Jan 31 2022

web 15 hours ago i ve watched other highly qualified health professionals struggle over report typing effectively each painfully created report cost hundreds of dollars or more likely hours of unpaid

**end of course test geometry mcdougal richard rusczyk** - Dec 28 2021

web end of course test geometry mcdougal yeah reviewing a book end of course test geometry mcdougal could ensue your near connections listings this is just one of the solutions for you to be successful

**geometry end of course exam mcdougal 2022 yvc moeys gov** - Jul 03 2022

web to begin getting this info acquire the geometry end of course exam mcdougal link that we allow here and check out the link you could buy lead geometry end of course exam mcdougal or get it as soon as feasible

[geometry end of course exam mcdougal answers copy](#) - Feb 10 2023

web jun 26 2023 download and install the geometry end of course exam mcdougal answers it is unconditionally simple then

since currently we extend the member to buy and create bargains to download and install geometry end of course exam mcdougal answers appropriately simple mcdougal concepts skills geometry mcdougal littell

**geometryendofcourseexam mcdougal dev sfcg** - Jun 14 2023

web middle school math arkansas prep for end of course exam algebra and geometry integrated math course 2 student edition geometryendofcourseexam mcdougal downloaded from dev sfcg org by guest

*geometry end of course assessment weebly* - Mar 11 2023

web geometry eoc ma 912 g 1 1 question 3 on a coordinate grid ab has end point b at 24 16 the midpoint of ab is p 4 3 what is the y coordinate of point a item context mathematics draft geometry eoc test item specifications florida department of education 55 geometry eoc ma 912 g 1 3 question 4 in the figure below ab is

*geometry end of course exam mcdougal thebookee net* - Jul 15 2023

web geometry end of course exam mcdougal list of ebooks and manuals about geometry end of course exam mcdougal [geometry end of course exam mcdougal answers pdf](#) - Apr 12 2023

web mar 15 2023 geometry 2003 resources in spanish to accompany mcdougal littell geometry integrated math course 1 student edition carter 12 2012 03 01 includes print student edition the school world 1908 the gardeners chronicle and agricultural gazette 1860 geometry holt mcdougal 2004 the theorems and principles of basic [end of course test wikipedia](#) - Jan 29 2022

web the end of course test eoct eoc or eoc test is an academic assessment conducted in many states by the state board of education and island of bermuda georgia for example tests from the ninth to twelfth grades and north carolina tests for any of the four core class subjects math science social studies and english

**geometry end of course exam mcdougal copy old vulkk** - May 13 2023

web geometry end of course exam mcdougal downloaded from old vulkk com by guest andrew cook endof course exam geometry eoc part 1 florida end of course exam practice test geometry final exam review geometry eoc practice test part 2 florida end of course exam geometry final exam review study guide

[geometry end of course exam mcdougal prospectus camre ac](#) - Nov 07 2022

web geometry end of course exam mcdougal looking for geometry end of course exam mcdougal pdf download do you really need this book of read and download geometry end of course exam mcdougal answers

[holt mcdougal geometry end of course test copy](#) - Dec 08 2022

web nov 17 2022 mcdougal geometry end of course test but stop in the works in harmful downloads rather than enjoying a fine ebook subsequently a cup of coffee in the afternoon otherwise they juggled gone some harmful virus inside their computer holt mcdougal geometry end of course

---

**end of course test geometry mcdougal pdf download only** - Aug 04 2022

web end of course test geometry mcdougal pdf pages 2 17 end of course test geometry mcdougal pdf upload herison c robertson 2 17 downloaded from bukuclone ortax org on september 4 2023 by herison c robertson from survivors this report documents the residential school system which forced children into institutions

*end of course test holt mcdougal geometry 2022 25years* - Mar 31 2022

web jan 24 2023 course test holt mcdougal geometry and numerous books collections from fictions to scientific research in any way in the middle of them is this end of course test holt mcdougal geometry that can be your partner

**mc dougal littell high school math arkansas preparation for the end** - Feb 27 2022

web mc dougal littell high school math arkansas preparation for the end of course exam geometry m c d o u g a l l i t t e l state province and national reporting maid in seattle 403873 295357

end of course geometry preview end of course geometry - Oct 06 2022

web preview end of course geometry pdf geometry 5 directions read each question carefully and choose the best answer then mark the space on your answer document for the answer you have chosen

*geometry end of course exam mcdougal answers copy* - Sep 05 2022

web jul 3 2023 geometry end of course exam mcdougal answers 1 3 downloaded from uniport edu ng on july 3 2023 by guest geometry end of course exam mcdougal answers this is likewise one of the factors by obtaining the soft documents of this geometry end of course exam mcdougal answers by online

uludag.edu.tr - May 01 2022

web fren deneyi sorulari 1 aşağıda bulunan 50km h ve 100km h lik hızlarla yapılan deneylerin grafiklerini araç ağırlığı yol durumu

**geometry end of course exam mcdougal answers 2022** - Jan 09 2023

web geometry end of course exam mcdougal answers 1 geometry end of course exam mcdougal answers end of course eoc assessments endof course exam geometry end of course flashcards quizlet geometry end of course exam end of course exams geometry examred com geometry ohio department of education

geometry end of course exam mcdougal answers - Jun 02 2022

web a geometry end of course exam mcdougal tourps de june 12th 2018 read and download geometry end of course exam mcdougal free ebooks in pdf format 1 hour geometry review guide for the end of course sat act and asset tests geometry end of course test answers holt

end of course test wordpress.com - Aug 16 2023

web 240 holt mcdougal geometry end of course test 23 the figure represents a rectangular gate with diagonal braces to the

nearest tenth what is the width of the gate f 15 21 h a 3 9 ft c 7 0 ft b 4 9 ft d c 7 6 ft refer to the figure for exercises 24 and 25 f 15 ft h 24 kim is making a kite with a wooden

**no middle name the complete collected jack reacher stories jack** - Jul 02 2022

web may 18 2017 jack no middle name reacher lone wolf knight errant ex military cop lover of women scourge of the wicked and righter of wrongs is the most iconic hero for our age this is the first time all lee child s shorter fiction featuring jack reacher has been collected into one volume

**no middle name on apple books** - Nov 06 2022

web no middle name begins with too much time a brand new work of short fiction that finds reacher in a hollowed out town in maine where he witnesses a random bag snatching but sees much more than a simple crime small wars takes readers back to 1989 when reacher is an mp assigned to solve the brutal murder of a young officer found

*no middle name jackreacher com* - Aug 15 2023

web no middle name begins with too much time a brand new work of short fiction that finds reacher in a hollowed out town in maine where he witnesses a random bag snatching but sees much more than a simple crime

*no middle name by lee child 9780399593574 penguin* - Apr 11 2023

web lee child is the author of more than two dozen new york times bestselling jack reacher thrillers with most having reached the 1 position and the 1 bestselling complete jack reacher story collection no middle name foreign rights in the reacher series have sold in one hundred more about lee child

**no middle name the complete collected jack reacher short** - Mar 10 2023

web jan 2 2018 so part one of this short story collection book review is as a stand alone collection of short prose by a gifted story teller about his iconic drifter hero the genetically gifted former military policeman with no middle name jack reacher

*no middle name the complete collected jack reacher stories* - Jun 01 2022

web no middle name the complete collected jack reacher stories child lee amazon com tr kitap

**no middle name jackreacher com** - May 12 2023

web jack no middle name reacher lone wolf knight errant ex military cop lover of women scourge of the wicked and righter of wrongs is the most iconic hero of our age this is the first time all lee child s shorter fiction featuring jack reacher has

*no middle name the complete collected jack reacher short* - Feb 26 2022

web no middle name the complete collected jack reacher short stories child lee amazon com tr kitap

*no middle name the complete collected jack reacher short* - Apr 30 2022

web no middle name the complete collected jack reacher short stories child lee amazon com tr kitap

*no middle name the complete collected jack reacher short* - Aug 03 2022

---

web jan 2 2018 no middle name begins with too much time a brand new work of short fiction that finds reacher in a hollowed out town in maine where he witnesses a random bag snatching but sees much

**no middle name the complete collected jack reacher short stories** - Oct 05 2022

web may 16 2017 no middle name begins with too much time a brand new work of short fiction that finds reacher in a hollowed out town in maine where he witnesses a random bag snatching but sees much more than a simple crime small wars takes readers back to 1989 when reacher is an mp assigned to solve the brutal murder of a young officer

**no middle name jack reacher novels in order by** - Mar 30 2022

web no middle name begins with too much time a brand new work of short fiction that finds reacher in a hollowed out town in maine where he witnesses a random bag snatching but sees much more than a simple crime

**no middle name by lee child penguin books australia** - Sep 04 2022

web may 18 2017 jack no middle name reacher lone wolf knight errant ex military cop lover of women scourge of the wicked and righter of wrongs is the most iconic hero for our age

*no middle name jack reacher wiki fandom* - Jun 13 2023

web no middle name is a collection of jack reacher short stories and was published in 2017 this anthology contains the following 12 short stories too much time 2017 second son 2011 high heat 2013 deep down 2012 small wars 2015 james penney s new identity 1999 everyone talks 2012 not a

*no middle name the complete collected jack reacher short* - Feb 09 2023

web no middle name the complete collected jack reacher short stories

**no middle name wikipedia** - Jul 14 2023

web no middle name is an anthology book from the jack reacher series by british writer lee child it is a collection of two novellas and ten short stories novellas too much time high heat short stories deep down everyone talks guy walks into a bar james penney s new identity 1999 version maybe they have a tradition no room at the

no middle name the complete collected jack reacher stories - Dec 27 2021

web no middle name begins with too much time a brand new work of short fiction that finds reacher in a hollowed out town in maine where he witnesses a random bag snatching but sees much more than a simple crime a fact that could prove fatal

*no middle name the complete collected jack reacher stories* - Jan 28 2022

web no middle name begins with too much time a brand new work of short fiction that finds reacher in a hollowed out town in maine where he witnesses a random bag snatching but sees much more than a simple crime

**no middle name wikiwand** - Dec 07 2022

web no middle name is an anthology book from the jack reacher series by british writer lee child it is a collection of two

novellas and ten short stories

**jack reacher wikipedia** - Jan 08 2023

web jack reacher was born on a military base in berlin on 29 october 1960 regular references are made to the fact that reacher s given name is jack which is not a nickname for john and that he has no middle name his military record officially refers to him as jack none reacher