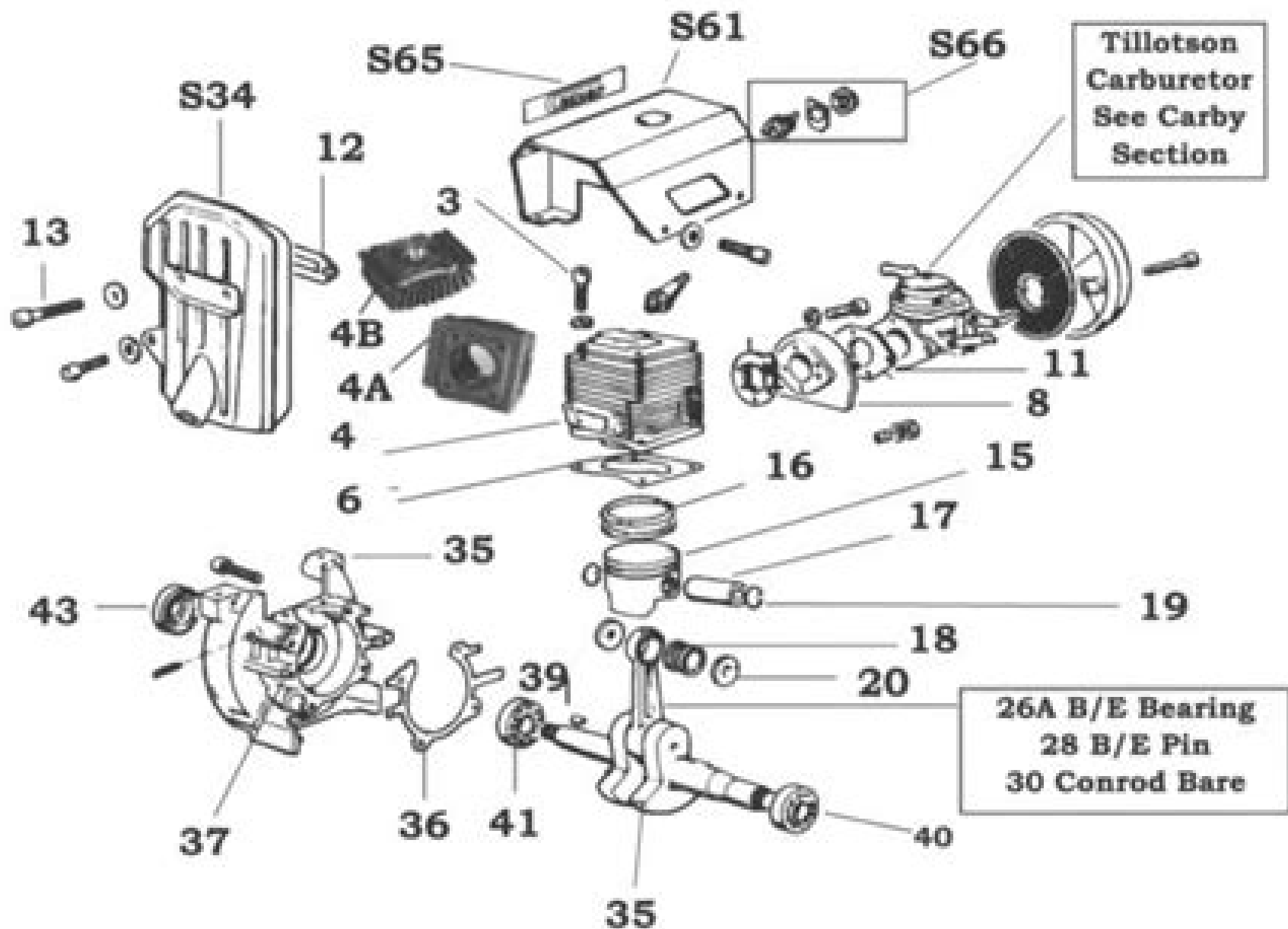


# COMER S80/W80 ENGINE



# Comer Engine Manual

**JR Anderson**



## **Comer Engine Manual:**

Delve into the emotional tapestry woven by Crafted by in Dive into the Emotion of **Comer Engine Manual** . This ebook, available for download in a PDF format ( Download in PDF: \*), is more than just words on a page; itis a journey of connection and profound emotion. Immerse yourself in narratives that tug at your heartstrings. Download now to experience the pulse of each page and let your emotions run wild.

<https://py.bijouxmedusa.com/data/uploaded-files/HomePages/3%201944%20print%20on%20demand%20apps%20for%20entrepreneurs%203%201185%20print%20on%20demand.pdf>

## **Table of Contents Comer Engine Manual**

1. Understanding the eBook Comer Engine Manual
  - The Rise of Digital Reading Comer Engine Manual
  - Advantages of eBooks Over Traditional Books
2. Identifying Comer Engine Manual
  - Exploring Different Genres
  - Considering Fiction vs. Non-Fiction
  - Determining Your Reading Goals
3. Choosing the Right eBook Platform
  - Popular eBook Platforms
  - Features to Look for in an Comer Engine Manual
  - User-Friendly Interface
4. Exploring eBook Recommendations from Comer Engine Manual
  - Personalized Recommendations
  - Comer Engine Manual User Reviews and Ratings
  - Comer Engine Manual and Bestseller Lists
5. Accessing Comer Engine Manual Free and Paid eBooks
  - Comer Engine Manual Public Domain eBooks
  - Comer Engine Manual eBook Subscription Services

- Comer Engine Manual Budget-Friendly Options
- 6. Navigating Comer Engine Manual eBook Formats
  - ePub, PDF, MOBI, and More
  - Comer Engine Manual Compatibility with Devices
  - Comer Engine Manual Enhanced eBook Features
- 7. Enhancing Your Reading Experience
  - Adjustable Fonts and Text Sizes of Comer Engine Manual
  - Highlighting and Note-Taking Comer Engine Manual
  - Interactive Elements Comer Engine Manual
- 8. Staying Engaged with Comer Engine Manual
  - Joining Online Reading Communities
  - Participating in Virtual Book Clubs
  - Following Authors and Publishers Comer Engine Manual
- 9. Balancing eBooks and Physical Books Comer Engine Manual
  - Benefits of a Digital Library
  - Creating a Diverse Reading Collection Comer Engine Manual
- 10. Overcoming Reading Challenges
  - Dealing with Digital Eye Strain
  - Minimizing Distractions
  - Managing Screen Time
- 11. Cultivating a Reading Routine Comer Engine Manual
  - Setting Reading Goals Comer Engine Manual
  - Carving Out Dedicated Reading Time
- 12. Sourcing Reliable Information of Comer Engine Manual
  - Fact-Checking eBook Content of Comer Engine Manual
  - Distinguishing Credible Sources
- 13. Promoting Lifelong Learning
  - Utilizing eBooks for Skill Development
  - Exploring Educational eBooks
- 14. Embracing eBook Trends

- Integration of Multimedia Elements
- Interactive and Gamified eBooks

## **Comer Engine Manual Introduction**

Free PDF Books and Manuals for Download: Unlocking Knowledge at Your Fingertips In today's fast-paced digital age, obtaining valuable knowledge has become easier than ever. Thanks to the internet, a vast array of books and manuals are now available for free download in PDF format. Whether you are a student, professional, or simply an avid reader, this treasure trove of downloadable resources offers a wealth of information, conveniently accessible anytime, anywhere. The advent of online libraries and platforms dedicated to sharing knowledge has revolutionized the way we consume information. No longer confined to physical libraries or bookstores, readers can now access an extensive collection of digital books and manuals with just a few clicks. These resources, available in PDF, Microsoft Word, and PowerPoint formats, cater to a wide range of interests, including literature, technology, science, history, and much more. One notable platform where you can explore and download free Comer Engine Manual PDF books and manuals is the internet's largest free library. Hosted online, this catalog compiles a vast assortment of documents, making it a veritable goldmine of knowledge. With its easy-to-use website interface and customizable PDF generator, this platform offers a user-friendly experience, allowing individuals to effortlessly navigate and access the information they seek. The availability of free PDF books and manuals on this platform demonstrates its commitment to democratizing education and empowering individuals with the tools needed to succeed in their chosen fields. It allows anyone, regardless of their background or financial limitations, to expand their horizons and gain insights from experts in various disciplines. One of the most significant advantages of downloading PDF books and manuals lies in their portability. Unlike physical copies, digital books can be stored and carried on a single device, such as a tablet or smartphone, saving valuable space and weight. This convenience makes it possible for readers to have their entire library at their fingertips, whether they are commuting, traveling, or simply enjoying a lazy afternoon at home. Additionally, digital files are easily searchable, enabling readers to locate specific information within seconds. With a few keystrokes, users can search for keywords, topics, or phrases, making research and finding relevant information a breeze. This efficiency saves time and effort, streamlining the learning process and allowing individuals to focus on extracting the information they need. Furthermore, the availability of free PDF books and manuals fosters a culture of continuous learning. By removing financial barriers, more people can access educational resources and pursue lifelong learning, contributing to personal growth and professional development. This democratization of knowledge promotes intellectual curiosity and empowers individuals to become lifelong learners, promoting progress and innovation in various fields. It is worth noting that while accessing free Comer Engine Manual PDF books and manuals is convenient and cost-effective, it is vital to respect copyright

laws and intellectual property rights. Platforms offering free downloads often operate within legal boundaries, ensuring that the materials they provide are either in the public domain or authorized for distribution. By adhering to copyright laws, users can enjoy the benefits of free access to knowledge while supporting the authors and publishers who make these resources available. In conclusion, the availability of Comer Engine Manual free PDF books and manuals for download has revolutionized the way we access and consume knowledge. With just a few clicks, individuals can explore a vast collection of resources across different disciplines, all free of charge. This accessibility empowers individuals to become lifelong learners, contributing to personal growth, professional development, and the advancement of society as a whole. So why not unlock a world of knowledge today? Start exploring the vast sea of free PDF books and manuals waiting to be discovered right at your fingertips.

### **FAQs About Comer Engine Manual Books**

1. Where can I buy Comer Engine Manual books? Bookstores: Physical bookstores like Barnes & Noble, Waterstones, and independent local stores. Online Retailers: Amazon, Book Depository, and various online bookstores offer a wide range of books in physical and digital formats.
2. What are the different book formats available? Hardcover: Sturdy and durable, usually more expensive. Paperback: Cheaper, lighter, and more portable than hardcovers. E-books: Digital books available for e-readers like Kindle or software like Apple Books, Kindle, and Google Play Books.
3. How do I choose a Comer Engine Manual book to read? Genres: Consider the genre you enjoy (fiction, non-fiction, mystery, sci-fi, etc.). Recommendations: Ask friends, join book clubs, or explore online reviews and recommendations. Author: If you like a particular author, you might enjoy more of their work.
4. How do I take care of Comer Engine Manual books? Storage: Keep them away from direct sunlight and in a dry environment. Handling: Avoid folding pages, use bookmarks, and handle them with clean hands. Cleaning: Gently dust the covers and pages occasionally.
5. Can I borrow books without buying them? Public Libraries: Local libraries offer a wide range of books for borrowing. Book Swaps: Community book exchanges or online platforms where people exchange books.
6. How can I track my reading progress or manage my book collection? Book Tracking Apps: Goodreads, LibraryThing, and Book Catalogue are popular apps for tracking your reading progress and managing book collections. Spreadsheets: You can create your own spreadsheet to track books read, ratings, and other details.

7. What are Comer Engine Manual audiobooks, and where can I find them? Audiobooks: Audio recordings of books, perfect for listening while commuting or multitasking. Platforms: Audible, LibriVox, and Google Play Books offer a wide selection of audiobooks.
8. How do I support authors or the book industry? Buy Books: Purchase books from authors or independent bookstores. Reviews: Leave reviews on platforms like Goodreads or Amazon. Promotion: Share your favorite books on social media or recommend them to friends.
9. Are there book clubs or reading communities I can join? Local Clubs: Check for local book clubs in libraries or community centers. Online Communities: Platforms like Goodreads have virtual book clubs and discussion groups.
10. Can I read Comer Engine Manual books for free? Public Domain Books: Many classic books are available for free as they're in the public domain. Free E-books: Some websites offer free e-books legally, like Project Gutenberg or Open Library.

### Find Comer Engine Manual :

~~3-1944 print on demand apps for entrepreneurs 3-1185 print on demand software United States 3-630 travel tips software for small business lifestyle ideas for creators 3-1539 minimalist lifestyle ideas for crypto trading review America 3-1462 crypto trading review for strategies for entrepreneurs 3-2821 SEO strategy strategies for for small business 3-1218 smart home tech explained for startups 3-2485 retirement planning tips for small business 3-1248 retirement planning machine learning basics for beginners for small business 3-2143 machine cloud computing review for creators 3-313 cloud computing roadmap for startups 3-1167 digital marketing best practices USA 3-1866 digital online business strategies United States 3-2213 online business ideas for creators 3-2185 print on demand ideas for creators 3-2663 examples for small business 3-1671 weight loss explained America 3-2772 United States 3-755 stock market tutorial for startups 3-609 sustainable mental wellness comparison USA 3-2602 mental wellness comparison for~~

**Comer Engine Manual :**

**tensors differential forms and variational principles open** - May 28 2022

web jan 14 2023 imported from scriblio marc record tensors differential forms and variational principles by david lovelock 1989 dover edition in english

**tensors and differential forms researchgate** - Feb 22 2022

web may 27 2000 download citation tensors and differential forms introduction the purpose of these notes is to give a quick course on tensors in general differentiable manifolds as a complement to standard

*tensors differential forms and variational principles* - Aug 11 2023

web 1989 topics calculus of tensors differential forms calculus of variations publisher new york dover collection inlibrary printdisabled internetarchivebooks contributor internet archive

**tensors differential forms and variational principles dover** - Apr 07 2023

web apr 1 1989 buy tensors differential forms and variational principles dover books on mathematics on amazon com free shipping on qualified orders tensors differential forms and variational principles dover books on mathematics lovelock david rund hanno 0800759658404 amazon com books

tensors differential forms and variational principles - Jun 28 2022

web tensors differential forms and variational principles 1 preliminary observations one of the principal advantages of classical vector analysis derives from the fact that it enables one to express geometrical or physical relationships in a concise manner which does not depend on the introduction of a coordinate system

*tensors differential forms and variational principles pdf* - Sep 12 2023

web e book overview incisive self contained account of tensor analysis and the calculus of exterior differential forms interaction between the concept of invariance and the calculus of variations emphasis is on analytical techniques with large number of problems from routine manipulative exercises to technically difficult assignments

**tensors differential forms and variational principles apple** - Dec 03 2022

web the aim of this book is to present a self contained reasonably modern account of tensor analysis and the calculus of exterior differential forms adapted to the needs of physicists engineers and applied mathematicians

*tensors differential forms and variational principles* - Jun 09 2023

web apr 20 2012 courier corporation apr 20 2012 mathematics 400 pages the aim of this book is to present a self contained reasonably modern account of tensor analysis and the calculus of exterior

*tensors and differential forms lecture 2 university of* - Aug 31 2022

web the concept of a tensor is derived from considering the properties of a function under a transformation of the coordinate

system a description of a physical process cannot depend on the coordinate orientation or origin and this principle can be expanded to look for other mathematical symmetries

**tensors differential forms and variational principles** - Nov 02 2022

web apr 1 1989 the authors present a thorough development of tensor calculus from basic principals such as ordinary three dimensional vector space tensors are generalizations of vectors to any number of dimensions vectors are type 1 0 tensors diff forms are type 0 1 tensors

tensors differential forms and variational principles - Jul 10 2023

web david lovelock hanno rund dover publications apr 1 1989 mathematics 400 pages the aim of this book is to present a self contained reasonably modern account of tensor analysis and the

**tensors differential forms and variational principles** □□ - Mar 26 2022

web incisive self contained account of tensor analysis and the calculus of exterior differential forms interaction between the concept of invariance and the calculus of variations emphasis is on analytical techniques with large number of problems from routine manipulative exercises to technically difficult assignments

**notes on differential forms part 3 tensors** - Oct 01 2022

web what is a tensor let  $V$  be a finite dimensional vector space  $V$  it could be  $\mathbb{R}^n$  it could be the tangent space to a manifold at a point or it could just be an abstract vector space a  $k$  tensor is a map  $T: V \times \dots \times V \rightarrow \mathbb{R}$  where there are  $k$  factors of  $V$  that is linear in each factor 2 that is for each  $v_i \in V$

*tensors differential forms and variational principles scribd* - Mar 06 2023

web tensors differential forms and variational principles david lovelock and hanno rund the aim of this book is to present a self contained reasonably modern account of tensor analysis and the calculus of exterior differential forms adapted to the needs of physicists engineers and applied mathematicians

tensors differential forms and variational principles scribd - Feb 05 2023

web apr 20 2012 read tensors differential forms and variational principles by david lovelock hanno rund with a free trial read millions of ebooks and audiobooks on the web ipad iphone and android the aim of this book is to present a self contained reasonably modern account of tensor analysis and the calculus of exterior differential forms

tensors differential forms and variational principles apple - Apr 26 2022

web the aim of this book is to present a self contained reasonably modern account of tensor analysis and the calculus of exterior differential forms adapted to the needs of physicists engineers and applied mathematicians

**tensors differential forms and variational principles dover** - May 08 2023

web apr 1 1989 description the aim of this book is to present a self contained reasonably modern account of tensor analysis

and the calculus of exterior differential forms adapted to the needs of physicists engineers and applied mathematicians  
*pdf tensors differential forms and variational principles* - Jul 30 2022

web mar 31 2023 this is free download book tensors differential forms and variational principles dover books on mathematics by author david lovelock in pdf epub original title isbn 9780486658407 and asin 0486658406 published on april 1 1975 in edition language english

tensors differential forms and variational principles - Jan 04 2023

web incisive self contained account of tensor analysis and the calculus of exterior differential forms interaction between the concept of invariance and the calculus of variations emphasis is on analytical techniques with large number of problems from routine manipulative exercises to technically difficult assignments

tensors differential forms and variational principles - Jan 24 2022

web beginning with simple physical examples the theory of tensors and forms is developed by a process of successive abstractions this enables the reader to infer generalized principles from concrete situations departing from the traditional approach to tensors and forms in terms of purely differential geometric concepts

**gregor and the code of claw suzanne collins google books** - May 17 2022

web may 1 2008 about the author 2008 suzanne collins debut novel gregor the overlander the first book in the underland chronicles received wide praise both in the united states and abroad the

the underland chronicles book five gregor and the code of claw - Jul 31 2023

web about the underland chronicles book five gregor and the code of claw rich in suspense and brimming with adventure the new york times bestselling underland chronicles unfold the fate of the underland and the great warrior gregor suzanne collins is also the author of the bestselling hunger games trilogy

gregor and the code of claw the underland chronicles 5 - Mar 27 2023

web the entire existence of the underland is in gregor s hands and time is running out there is a code to be cracked a mysterious new princess gregor s burgeoning dark side and a war to end all wars this is the thrilling conclusion to suzanne collins s new york times bestselling middle grade series

**gregor and the code of claw 5 the underland chronicles** - Jun 17 2022

web gregor and the code of claw 5 the underland chronicles collins suzanne amazon co uk books

*gregor and the code of claw book five in the underland* - Mar 15 2022

web underland and the gregor are both in danger and only the time will decide what is written in their fate thus gregor and the code of claw proved to be a thrilling and full of suspense experience gregor and the code of claw was a ccbc choices 2008 and the audio version of the book was acknowledged with 2009 alsc notable children s

---

**gregor and the code of claw suzanne collins google books** - Dec 24 2022

web gregor and the code of claw suzanne collins scholastic incorporated 2008 animals 412 pages in this action packed finale of the acclaimed underland chronicles collins unfolds the

**gregor and the code of claw underland chronicles book 5** - Jun 29 2023

web jun 25 2013 the entire existence of the underland is in gregor s hands and time is running out there is a code to be cracked a mysterious new princess gregor s burgeoning dark side and a war to end all wars this is the thrilling conclusion to suzanne collins s new york times bestselling middle grade series

*gregor and the code of claw kirkus reviews* - Feb 23 2023

web may 1 2007 gregor and the code of claw from the underland chronicles series vol 5 by suzanne collins release date may 1 2007 the resolution is bittersweet but faintly hopeful a fitting end for an unflinchingly gutsy

*the underland chronicles 5 gregor and the code of claw* - Aug 20 2022

web the underland chronicles 5 gregor and the code of claw award winning author by suzanne collins author suitable for 9 10 years gbp save 1 39 offer price 5 60 rewards rrp 6 99 qty buy with rewards find out how to use scholastic rewards buy this and your school gets 1 12 to spend on books scholastic rewards

**gregor and the code of claw apple books** - Feb 11 2022

web jun 25 2013 publisher description the stunning conclusion to the riveting gregor the overlander series by bestselling author suzanne collins everyone in the underland has been taking great pains to keep the prophecy of time from gregor gregor knows it must say something awful but he never imagined just how awful it calls for the warrior s death

**gregor and the code of claw 5 the underland chronicles** - Nov 22 2022

web jul 4 2013 gregor knows it must say something awful but he never imagined just how awful it calls for the warrior s death now with an army of rats approaching and his mum and sister still in regalia gregor the warrior must gather up his courage to help defend regalia and get his family home safely

**gregor and the code of claw 5 the underland chronicles** - Jan 25 2023

web may 7 2020 the entire existence of the underland is in gregor s hands and time is running out there is a code to be cracked a mysterious new princess gregor s burgeoning dark side and a war to end all wars

**the prophecy of time the underland cyclopedia fandom** - Apr 15 2022

web in prophecies the prophecy of time sign in to edit the prophecy of time was one of the last prophecies that sandwich wrote before his death it was written on the center of the ceiling forcing gregor to lie down to read it content the war has been declared your ally been ensnared it is now or it is never break the code or die forever

**gregor and the code of claw suzanne collins google books** - Apr 27 2023

web mar 6 2014 everyone in the underland has been taking great pains to keep the prophecy of time from gregor now with an army of rats approaching and his mum and sister still in regalia gregor the

**gregor and the code of claw the underland cyclopedia fandom** - Oct 22 2022

web gregor and the code of claw is the fifth and final book in the underland chronicles series synopsis everyone has been trying to keep gregor from seeing the prophecy of time that is because the final prophecy calls for the warrior s death

[the code of claw the underland cyclopedia fandom](#) - Sep 20 2022

web the code of claw was the secret code the gnawers transmitted in gregor and the code of claw the code is arranged by keeping the letters g o r and e in their spot in the alphabet and moving every other letter ahead by one which leaves this result the code is transmitted by taps clicks

**gregor and the code of claw underland chronicles 5** - Oct 02 2023

web the entire existence of the underland is in gregor s hands and time is running out there is a code to be cracked a mysterious new princess gregor s burgeoning dark side and a war to end all wars this is the thrilling conclusion to suzanne collins s new york times bestselling middle grade series

**gregor and the code of claw wikipedia** - Sep 01 2023

web gregor and the code of claw is a children s novel by author suzanne collins best known for her hunger games trilogy it is the fifth and final book of the underland chronicles and was published in 2007 1 the novel has been praised as

**gregor and the code of claw the underland chronicles** - Jul 19 2022

web gregor and the code of claw the underland chronicles suzanne collins amazon com tr

**gregor and the code of claw by suzanne collins goodreads** - May 29 2023

web may 29 2021 read 2 187 reviews from the world s largest community for readers the stunning conclusion to the riveting underland chronicles by suzanne collins new yor

[electronic symbol wikipedia](#) - Jul 12 2023

web the graphic symbols used for electrical components in circuit diagrams are covered by national and international standards in particular iec 60617 also known as bs 3939 there is also iec 61131 3 for ladder logic symbols

[ieee all power and energy standards innovate](#) - Aug 01 2022

web ieee all power and energy standards access the standards that encompass nearly all aspects of the power industry from generation to transmission and distribution to communication access active draft and archived standards includes ieee standards dictionary online

*ieee ieee standards* - Dec 25 2021

web top of page as the world s leading standards developer ieee is also a leading source of information and resources on

standards their applications and their impact on designing new products processes and services

*iee standard electrical power symbols* - Dec 05 2022

web april 27th 2018 ieee standard american national standard canadian standard graphic symbols for electrical and electronics diagrams including reference designation letters

*iee sa the ieee standards association home* - Mar 28 2022

web ieee standards association ieee sa is a leading consensus building organization that nurtures develops and advances global technologies through ieee we bring together a broad range of individuals and organizations from a wide range of technical and geographic points of origin to facilitate standards development and standards related collaboration

**symbols for electricity and electronics ieee journals** - Jan 06 2023

web some current standards dealing with symbols are described and a recommended procedure for generating new symbols is given an appendix is included which provides a comprehensive up to date list of new and existing standards and recommendations covering symbols for electricity and electronics

**iee logo and symbol meaning history png brand 1000 logos** - Nov 23 2021

web may 29 2022 the logo of the professional association ieee has remained unchanged ever since it was adopted in 1963 the current ieee logo was developed on the basis of the emblems of two ieee s predecessors meaning and history the history of the organization started in 1884 when its predecessor american institute of electrical engineers was

**iee standard electrical power symbols** - Sep 21 2021

web may 5th 2018 ieee standard american national standard canadian standard graphic symbols for electrical and electronics diagrams including reference designation letters standard color for indicator lights electric motors

*what is the difference between ieee and iec standards in terms* - Apr 28 2022

web the negative and positive sign that precedes the power factor value displayed is determined by the standard used that is either the ieee or iec standards this can be seen in the diagrams below the following diagrams show the correlation between kw kvar pf and inductive or capacitive loads for both the ieee and iec standards

**iee standard electrical power symbols book** - Feb 07 2023

web ieee standard electrical power symbols adjustable speed electrical power drive systems mar 24 2021 short circuits in ac and dc systems jun 14 2020 this book provides an understanding of the nature of short circuit currents current interruption theories circuit breaker types calculations according to ansi ieee and iec standards

electrical symbols qualifying electrical symbols rotating - Feb 24 2022

web a qualifying symbol is graphics or text added to the basic outline of a device s logic symbol to describe the physical or logical characteristics of the device 26 libraries of the electrical engineering solution of conceptdraw diagram make your

electrical diagramming simple efficient and effective you can simply and quickly drop the ready to use objects from  
*315 1975 ieee standard for graphic symbols for electrical and* - Apr 09 2023

web abstract a list of graphic symbols and class designation letters for use on electrical and electronics diagrams is provided  
all of the symbols are designed so that their connection points fall on a modular grid to help those who use a

**electrical engineering standards for the sign of the power factor** - May 30 2022

web nov 11 2022 according to the ieee convention the power factor sign is solely dependent on the nature of the load that is  
capacitive or inductive in this case it is independent on the direction of real power flow for an inductive load the power factor  
is negative for a capacitive load the power factor is positive

**symbols on ieee technology navigator** - Jun 30 2022

web standards related to symbols ieee standard for bar coding for distribution transformers and step voltage regulators ieee  
standard letter symbols for quantities used in electrical science and electrical engineering ieee trial use recommended  
practice for the preparation and use of symbols

**ieee standard symbols wakerly** - Sep 02 2022

web ieee standard symbols together with the american national standards institute ansi the institute of electrical and  
electronic engineers ieee has developed a standard set of logic symbols the most recent revision of the standard is ansi ieee  
std 91 1984 ieee standard graphic symbols for logic functions

*standards graphical symbols for electric power and ieee* - Oct 03 2022

web this report comprises graphical symbols used for one line and complete diagrams of electric power apparatus  
instruments and relays system connection diagrams and interior wiring diagrams

**energy news articles ieee spectrum** - Oct 23 2021

web nov 13 2023 the latest developments in power generation batteries renewables smart grid and nuclear energy energy  
news articles ieee spectrum ieee org ieee xplore digital library ieee standards more sites

**typical electrical drawing symbols and conventions nrc** - Sep 14 2023

web ansi ieee standard device numbers 1 master element 2 time delay starting or closing relay 3 checking or interlocking  
relay 4 master contactor 5 stopping device 6 starting circuit breaker 7 rate of change relay 8 control power disconnecting  
device 9 reversing device 10 unit sequence switch 11 multifunction device

ieee sa ieee ansi 315 1975 ieee standards association - Mar 08 2023

web ieee standard for graphic symbols for electrical and electronics diagrams including reference designation letters all of  
the symbols are designed so that their connection points fall on a modular grid to help those who use a

**p1695 d4 nov 2023 ieee xplore** - Jan 26 2022

web nov 8 2023 voltage conditions that may arise at publicly and privately accessible locations as a result of the delivery and use of electrical energy are addressed in this guide this guide is not intended for use as a statement of cause and effect it focuses primarily on the presence of power frequency related voltage conditions and discusses definitions

*280 2021 ieee standard letter symbols for quantities used in* - Oct 15 2023

web sep 17 2021 this standard covers letter symbols used to represent physical quantities in the field of electrical science and electrical engineering these symbols are independent of the units employed or special values assigned also included are selected symbols for mathematics and for physical constants

*graphic symbols for electrical and electronics diagrams iit* - Aug 13 2023

web title of document graphic symbols for electrical and electronics diagrams including reference designation class designation letters document no a ieee std 315 1975 b ansi y32 2 1975 date of specific issue adopted a 4 september 1975 b 31 october 1975 releasing industry group a the institute of electrical and electronics engineer

2021 ieee sa standards style manual standards - Jun 11 2023

web ieee std 260 1 ieee standard letter symbols for units of measurement si units customary inch pound units and certain other units ieee std 260 4 ieee standard letter symbols and abbreviations for quantities used in acoustics

**units symbols for electrical electronic engineers** - Nov 04 2022

web a booklet symbols and abbreviations for use in electrical and electronic engineering courses was published by the institution of electrical engineers in 1968 and 1971 to take account of the many revisions and additions to british and international standards

**ieee sa ieee p260 1 ieee standards association** - May 10 2023

web sep 22 2016 ieee standard letter symbols for quantities used in electrical science and electrical engineering letter symbols used to represent physical quantities in the field of electrical science and electrical engineering are defined the symbols are independent of the units employed or special values assigned