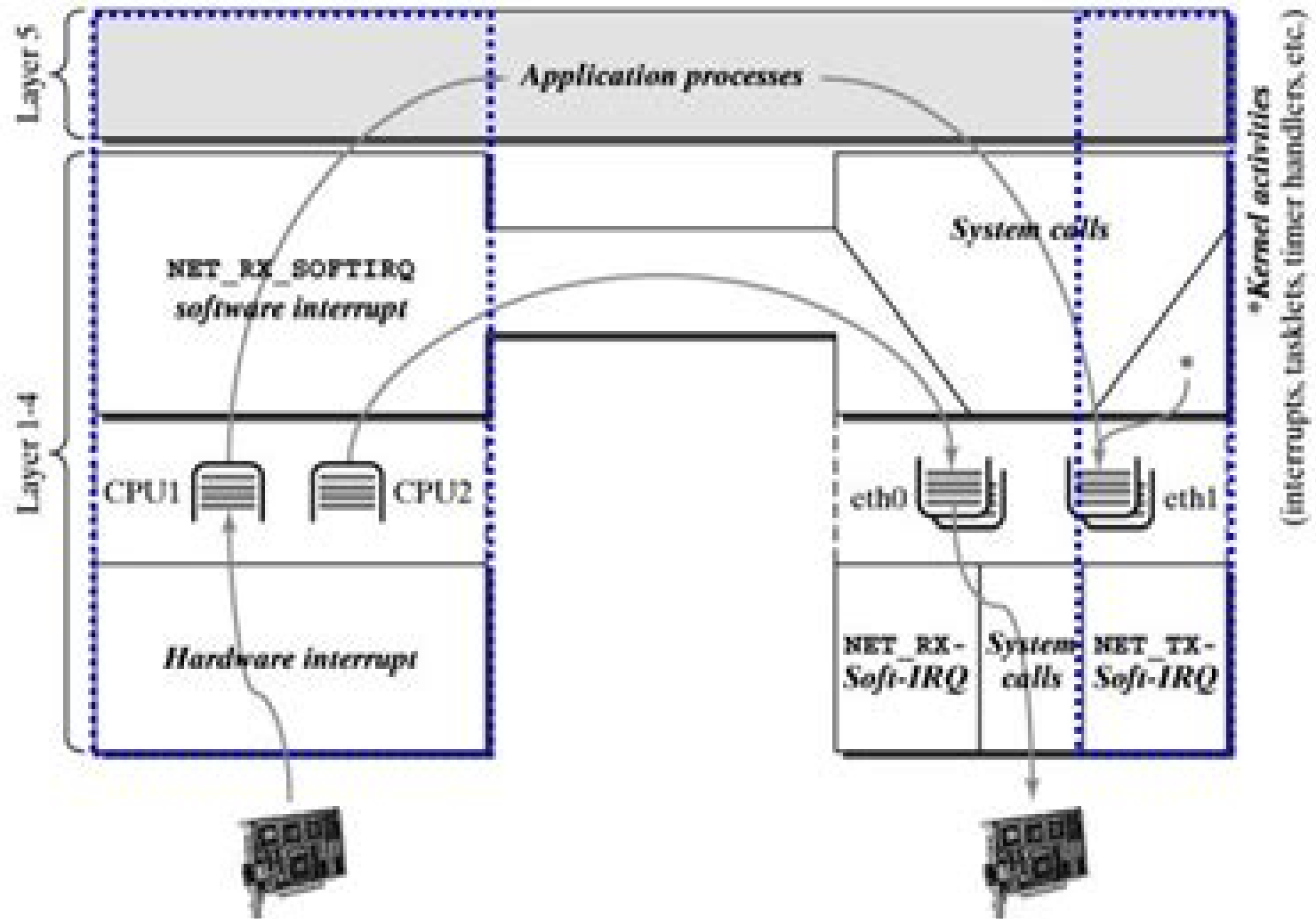


Linux Network Activity



Advanced Linux Networking

Terry Collings, Kurt Wall



Advanced Linux Networking:

Advanced Linux Networking Roderick W. Smith, 2002 Advanced Linux Networking is designed to help users achieve a higher level of competence It focuses on powerful techniques and features of Linux networking and provides the know how needed to improve server efficiency enhance security and adapt to new requirements [Advanced Guide to Linux Networking and Security](#) Ed Sawicki, Nicholas Wells, 2006 Linux is the fastest growing operating system As the number of companies implementing Linux increases so too does the rapidly developing need for skilled users developers and administrators Advanced Guide to Linux Networking and Security was especially designed for individuals who want to move beyond just the basics of Linux installation and administration into a broader study of the many security issues surrounding this operating system With its comprehensive Linux security coverage this text can fit into any Linux Security course and is intended to follow the Complete Guide to Linux System Administration by Nick Wells *Network Programmability and Automation* Jason Edelman, Scott S. Lowe, Matt Oswalt, 2018-02-02 This practical guide shows network engineers how to use a range of technologies and tools including Linux Python JSON and XML to automate their systems through code This book will help you simplify tasks involved in configuring managing and operating network equipment topologies services and connectivity Page 4 of cover [Linux Advanced Routing and Traffic Control HOWTO](#) Gregory Maxwell, Remco Mook, Martijn Oosterhout, Paul Schroeder, Jasper Spaans, Bert Hubert, 2019-11-06 Summary This classic howto was written in 2002 but it is still a must read howto for any Linux networking professionals today Many practical examples are included in the book It is a very hands on approach to iproute2 traffic shaping policy routing and a bit of netfilter This is a book you should have on your bookshelf Table of Contents Dedication Introduction Introduction to iproute2 Rules routing policy database GRE and other tunnels IPv6 tunneling with Cisco and or 6bone IPsec secure IP over the internet Multicast routing Queueing Disciplines for Bandwidth Management Load sharing over multiple interfaces Netfilter iproute marking packets Advanced filters for re classifying packets Kernel network parameters Advanced less common queueing disciplines Cookbook Building bridges and pseudo bridges with Proxy ARP Dynamic routing OSPF and BGP Other possibilities Further reading Acknowledgements

Network Programmability and Automation Matt Oswalt, Christian Adell, Scott S. Lowe, Jason Edelman, 2022-06-23 Network engineers are finding it harder than ever to rely solely on manual processes to get their jobs done New protocols technologies delivery models and the need for businesses to become more agile and flexible have made network automation essential The updated second edition of this practical guide shows network engineers how to use a range of technologies and tools including Linux Python APIs and Git to automate systems through code This edition also includes brand new topics such as network development environments cloud programming with Go and a reference network automation architecture Network Programmability and Automation will help you automate tasks involved in configuring managing and operating network equipment topologies services and connectivity Through the course of the book you ll learn the basic skills and tools

you need to make this critical transition You ll learn Programming skills with Python and Go data types conditionals loops functions and more New Linux based networking technologies and cloud native environments and how to use them to bootstrap development environments for your network projects Data formats and models JSON XML YAML Protobuf and YANG Jinja templating for creating network device configurations A holistic approach to architecting network automation services The role of application programming interfaces APIs in network automation Source control with Git to manage code changes during the automation process Cloud native technologies like Docker and Kubernetes How to automate network devices and services using Ansible Nornir and Terraform Tools and technologies for developing and continuously integrating network automation

Mastering Linux Network Administration Jay LaCroix,2015-11-03 Master the skills and techniques that are required to design deploy and administer real Linux based networks About This Book Master the art of using Linux and administering network services for enterprise environments Perform hands on activities to reinforce expert level knowledge Get full coverage of both the CentOS and Debian systems including how networking concepts differ for each Who This Book Is For Mastering Linux Network Administration is recommended for those who already understand the basics of using Linux and networking and would like to push those skills to a higher level through real world Linux networking scenarios Whether you intend to run a home office consisting of Linux nodes or a rollout of a Linux network within your organization this book is a great fit for those that desire to learn how to manage networked systems with the power of Linux What You Will Learn Install and configure the Debian and CentOS systems Set up and configure file servers Administer networked nodes remotely Discover how to monitor system performance for peak health Configure network services such as DNS and DHCP Host HTTP content via Apache Troubleshoot Linux networking issues In Detail Linux is everywhere Whether you run a home office a small business or manage enterprise systems Linux can empower your network to perform at its very best Armed with the advanced tools and best practice guidance of this practical guide you ll be able to mold Linux networks to your will empowering your systems and their users to take advantage of all that Linux based networks have to offer Understand how Linux networks function and get to grips with essential tips and tricks to manage them whether you re already managing a networks or even just starting out With Debian and CentOS as its source this book will divulge all the details you need to manage a real Linux based network With detailed activities and instructions based on real world scenarios this book will be your guide to the exciting world of Linux networking Style and approach This practical guide will walk you through all the core concepts required to manage real Linux based networks

Network Dictionary Javvin Www Networkdictionary Com,2007 Whether the reader is the biggest technology geek or simply a computer enthusiast this integral reference tool can shed light on the terms that ll pop up daily in the communications industry Computer Books Communications Networking

Red Hat Linux Networking and System Administration Terry Collings,Kurt Wall,2004-02-20 Updated to cover Red Hat Linux Enterprise Workstation with the latest on advanced Linux kernel features

the Tux Web server the latest Apache 2 x Web server and the expanded suite of custom configuration tools Starts with network planning and Red Hat installation and configuration then progresses to optimizing network and Internet services and monitoring and maintaining the network Examines the basics of Red Hat Linux security and offers trouble shooting and problem solving advice Includes important new chapters that focus on optimizing standard network services such as file and print services and Internet related servers such as the Apache Web server Copyright 2004 by Red Hat Inc Material from Chapters 4 6 8 10 17 and 21 may be distributed only subject to the terms and conditions set forth in the Open Publication License V1 0 or later the latest version is presently available at <http://www.opencontent.org/openpub>

Advanced Networking Concepts Applied Using Linux on IBM System Z Lydia Parziale, Ben Louie, Eric Marins, Tiago Santos, Srivatsan Venkatesan, 2012 This IBM Redbooks publication describes important networking concepts and industry standards that are used to support high availability on IBM System z Some of the networking standards described here are VLANs VLAN trunking link aggregation virtual switches VNICs and load balancing We examine the various aspects of network setups and introduce the main Linux on System z networking commands and configuration files We describe the management of network interface parameters assignment of addresses to a network interface and usage of the ifconfig command to configure network interfaces We provide an overview of connectivity options available on the System z platform We also describe high availability concepts and building a high availability solution using IBM Tivoli System Automation We also provide the implementation steps necessary to build a redundant network connections set up between an IBM z VM system and the external network switches using two Open Systems Adapter Express 3 OSA Express 3 adapters with 10 Gb Ethernet ports We describe the tests performed in our lab environment The objectives of these tests were to gather information about performance and failover from the perspective of a real scenario where the concepts of described in this book were applied This book is focused on information that is practical and useful for readers with experience in network analysis and engineering networks System z and Linux systems administrators especially for readers that administer networks in their day to day activities For additional reading A Technote is available that explains changes to using channel bonding interfaces introduced with SLES 11 SP 2 It can be found at <http://www.redbooks.ibm.com/abstracts/tips1000.html> Open [Mastering Linux](#) Rahul Dwivedi, 2024-11-01

PURPOSE OF THIS BOOK This book is written with one simple dream to make knowledge affordable and accessible for everyone Education should never be a luxury that only the rich can afford it is a right that belongs to every human being That s why this book is priced at nominal charges so that even those who cannot afford expensive courses schools or coaching can still learn grow and build their future Whether you are a Cybersecurity students App developers and Digital forensics professionals a beginner or someone curious about learning this book is designed for you so that money never becomes a barrier between you and education Because I think True power lies in knowledge and knowledge must be shared with all About Book *Mastering Linux Advanced Level* Unlock the power of professional Linux

system administration security and automation Learn advanced server management networking kernel tuning and ethical hacking with hands on labs and real world projects Perfect for IT professionals sysadmins and cybersecurity learners who want to master Linux like a pro Keywords Linux Linux book learn Linux Linux for beginners Linux guide Linux tutorial Linux commands Linux shell Linux terminal Linux basics Linux administration Linux server Linux for professionals Linux operating system Linux mastery Linux course Linux learning Linux certification Linux expert Linux command line Linux scripting Bash scripting Linux shell scripting Linux kernel Linux networking Linux system administration Ubuntu Red Hat CentOS Fedora Debian Linux tips Linux tricks Linux guidebook Linux user manual Linux programming Linux server management Linux command guide Linux system setup Linux tutorial book mastering Linux Linux for students Linux administration guide Linux commands list Linux shell guide Linux coding Linux practice Linux for IT professionals Linux system engineer Linux course book Linux desktop Linux file system Linux terminal commands Linux beginner guide Linux reference Linux advanced Linux security Linux troubleshooting Linux automation Linux DevOps Linux virtualization Linux tools Linux networking guide Linux sysadmin Linux operating system book Linux basics to advanced Linux essential commands Linux bash Linux cheat sheet Linux for developers Linux shell practice Linux learning path Linux performance Linux optimization Linux for hackers Linux certification guide Linux engineer book Linux for ethical hacking Linux kernel basics Linux system guide Linux projects Linux hands on Linux tutorial for beginners Linux notes Linux interview questions Linux practice book Linux CLI Linux terminal tips Linux shell commands Linux configuration Linux management Linux jobs Linux professional guide Linux manual Linux expert book Linux reference guide Linux training book Mastering Linux Advanced Linux Linux advanced course Linux mastery guide Linux professional book Linux system administration Linux advanced tutorial Linux expert guide Linux power user Linux for professionals Linux command line mastery Linux shell scripting advanced bash scripting expert Linux server management Linux system optimization Linux kernel guide Linux kernel tuning advanced bash commands Linux automation Linux performance tuning Linux security hardening Linux troubleshooting Linux optimization Linux networking Linux system administration book Linux sysadmin guide Linux DevOps Linux for system engineers Red Hat Enterprise Linux Ubuntu server guide CentOS administration Debian server management Fedora advanced Arch Linux mastery advanced Linux shell Linux scripting projects Linux automation scripts Linux terminal mastery Linux server security SELinux configuration iptables firewall nftables firewall Linux network configuration Linux SSH security Linux remote management advanced SSH commands Linux virtualization KVM virtualization Docker on Linux Kubernetes on Linux Linux cloud management AWS Linux administration GCP Linux Azure Linux Linux for DevOps engineers Linux for cybersecurity Linux ethical hacking Linux penetration testing Linux exploit development Linux file system internals Linux process management Linux system calls systemd deep dive Linux boot process GRUB configuration Linux dual boot Linux monitoring Linux performance tools Linux benchmarking Linux disk management LVM setup RAID configuration Linux storage optimization ext4 xfs btrfs Linux backup

and recovery rsync advanced Linux cron jobs automation with cron Linux scripting automation Linux shell loops awk sed grep advanced Linux piping and redirection Linux logs analysis journalctl dmesg syslog Linux performance monitoring htop iotop nload Linux server optimization Linux memory management swap configuration sysctl tuning Linux tuning parameters Linux debugging strace lsof netstat ss command Linux network troubleshooting traceroute dig nslookup Linux DNS configuration Linux load balancing HAProxy setup Nginx advanced Apache tuning Linux mail server Postfix Dovecot setup Linux VPN setup WireGuard OpenVPN Linux encryption LUKS configuration GPG usage OpenSSL commands Linux auditd AppArmor policies Linux security modules Linux malware detection Linux patch management kernel security updates Linux firewall configuration Linux process scheduling cgroups namespaces Linux containers Docker security Podman Kubernetes orchestration Linux system architecture Linux memory tuning Linux multitasking Linux threading Linux interprocess communication Linux daemons Linux system services Linux sysctl conf Linux security best practices Linux optimization for performance Linux server hardening Linux enterprise solutions Linux hybrid cloud Linux for administrators Linux for engineers Linux cloud integration Linux automation tools Ansible on Linux Puppet Linux Chef Linux automation Linux CI CD pipelines Jenkins on Linux Linux continuous deployment Linux system design Linux enterprise administration Linux system monitoring tools Linux kernel compilation build custom Linux compile kernel Linux source code management Linux driver development Linux API programming Linux POSIX threads Linux shell customization bashrc aliases environment variables Linux history commands Linux regex advanced grep sed and awk mastery Linux scripting interview questions Linux admin interview prep Linux professional certification RHCE LPIC 2 LPIC 3 Linux certification exam prep Linux advanced study guide Linux performance expert Linux administrator handbook Linux professional training Linux masterclass Linux reference guide Linux cheat sheet advanced Linux command list advanced Linux commands Linux productivity Linux toolkit Linux expert handbook Linux for DevOps professionals Linux infrastructure management Linux automation engineer Linux cloud engineer Linux advanced networking Linux security engineer Linux systems design Linux master tutorial Linux professional reference Linux hands on labs Linux for developers Linux deep dive Linux architecture guide Linux scripting reference Linux command reference mastering bash shell Linux advanced scripting Linux enterprise deployment Linux hybrid systems Linux configuration management

Linux Network Servers Craig Hunt, 2006-10-11 Authoritative Answers to All Your Linux Network Server Questions Specifically for Linux Administrators Tap into Linux's impressive capabilities as a network server Written by one of the world's leading Linux system administration experts Linux Network Servers teaches you step by step all the standard and advanced techniques you need to know to configure and administer a full range of network services from file and printer sharing to email and the Web Hundreds of clear consistent examples illustrate these techniques in detail so you stay on track and accomplish all your goals Coverage includes the following Installing Linux Understanding the boot process Working with the network interface Setting up login services Using Linux name services Configuring a mail server

Setting up Apache Web server Configuring network gateway services Configuring desktop configuration server Setting up file sharing Setting up printer services Securing your server Troubleshooting The Craig Hunt Linux Library The Craig Hunt Linux Library provides in depth advanced coverage of the key topics for Linux administrators Topics include Samba System Administration DNS Server Administration Apache Security and Sendmail Each book in the series is either written by or meticulously reviewed by Craig Hunt to ensure the highest quality and most complete coverage for networking professionals working specifically in Linux environments

Ultimate Linux Network Security for Enterprises Adarsh Kant, 2024-04-30

Level Up Your Security Skills with Linux Expertise Key Features Comprehensive exploration of Linux network security and advanced techniques to defend against evolving cyber threats Hands on exercises to reinforce your understanding and gain practical experience in implementing cybersecurity strategies Gain valuable insights from industry best practices to effectively address emerging threats and protect your organization's digital assets within the evolving landscape of Linux network security

Book DescriptionThe Ultimate Linux Network Security for Enterprises is your essential companion to mastering advanced cybersecurity techniques tailored for Linux systems The book provides a comprehensive exploration of Linux network security equipping you with the skills and knowledge needed to defend against evolving cyber threats Through hands on exercises real world scenarios and industry best practices this book empowers you to fortify your organization's networks with confidence Discover practical insights and techniques that transcend theoretical knowledge enabling you to apply effective cybersecurity strategies in your job role From understanding fundamental concepts to implementing robust security measures each chapter provides invaluable insights into securing Linux based networks Whether you are tasked with conducting vulnerability assessments designing incident response plans or implementing intrusion detection systems this book equips you with the tools and expertise to excel in your cybersecurity endeavors By the end of this book you will gain the expertise needed to stay ahead of emerging threats and safeguard your organization's digital assets What you will learn Perform thorough vulnerability assessments on Linux networks to pinpoint network weaknesses Develop and deploy resilient security incident response plans Configure and oversee sophisticated firewall and packet filtering rules Employ cryptography techniques to ensure secure data transmission and storage Implement efficient Intrusion Detection and Prevention Systems IDS IPS Enforce industry leading best practices to bolster Linux network security defenses

Table of Contents

- 1 Exploring Linux Network Security Fundamentals
- 2 Creating a Secure Lab Environment
- 3 Access Control Mechanism in Linux
- 4 Implementing Firewalls And Packet Filtering
- 5 Mastering Cryptography for Network Security
- 6 Intrusion Detection System and Intrusion Prevention System
- 7 Conducting Vulnerability Assessment with Linux
- 8 Creating Effective Disaster Recovery Strategies
- 9 Robust Security Incident Response Plan
- 10 Best Practices for Linux Network Security Professionals

Index

Linux Journal, 2005-07 *Linux Administration* Steven Graham, Steve Shah, 2003 This volume is a practical guide to Linux for systems and network administrators who are moving from Windows NT to Linux or

are experimenting with bringing Linux into their network topology [Linux Advanced System and Network Administration](#) Element K Content LLC,2005-01-01 **Advanced Networking Concepts Applied Using Linux on IBM System z** Lydia Parziale,Ben Louie,Eric Marins,Tiago Nunes dos Santos,Srivatsan Venkatesan,IBM Redbooks,2012-03-06 This IBM Redbooks publication describes important networking concepts and industry standards that are used to support high availability on IBM System z Some of the networking standards described here are VLANs VLAN trunking link aggregation virtual switches VNICs and load balancing We examine the various aspects of network setups and introduce the main Linux on System z networking commands and configuration files We describe the management of network interface parameters assignment of addresses to a network interface and usage of the ifconfig command to configure network interfaces We provide an overview of connectivity options available on the System z platform We also describe high availability concepts and building a high availability solution using IBM Tivoli System Automation We also provide the implementation steps necessary to build a redundant network connections set up between an IBM z VM system and the external network switches using two Open Systems Adapter Express 3 OSA Express 3 adapters with 10 Gb Ethernet ports We describe the tests performed in our lab environment The objectives of these tests were to gather information about performance and failover from the perspective of a real scenario where the concepts of described in this book were applied This book is focused on information that is practical and useful for readers with experience in network analysis and engineering networks System z and Linux systems administrators especially for readers that administer networks in their day to day activities For additional reading A Technote is available that explains changes to using channel bonding interfaces introduced with SLES 11 SP 2 It can be found at <http://www.redbooks.ibm.com/abstracts/tips1000.html> Open [A Practical Guide to Advanced Networking](#) Jeffrey S. Beasley,Piyasat Nilkaew,2012-11-05 A Practical Guide to Advanced Networking Third Edition takes a pragmatic hands on approach to teaching advanced modern networking concepts from the network administrator s point of view Thoroughly updated for the latest networking technologies and applications the book guides you through designing configuring and managing campus networks connecting networks to the Internet and using the latest networking technologies The authors first show how to solve key network design challenges including data flow selection of network media IP allocation subnetting and configuration of both VLANs and Layer 3 routed networks Next they illuminate advanced routing techniques using RIP IPv2 OSPF IS IS EIGRP and other protocols and show how to address common requirements such as static routing and route redistribution You ll find thorough coverage of configuring IP based network infrastructure and using powerful WireShark and NetFlow tools to analyze and troubleshoot traffic A full chapter on security introduces best practices for preventing DoS attacks configuring access lists and protecting routers switches VPNs and wireless networks This book s coverage also includes IPv6 Linux based networking Juniper routers BGP Internet routing and Voice over IP VoIP Every topic is introduced in clear easy to understand language key ideas are reinforced with working examples and hands on exercises

based on powerful network simulation software Key Pedagogical Features NET CHALLENGE SIMULATION SOFTWARE provides hands on experience with advanced router and switch commands interface configuration and protocols now including RIPv2 and IS IS WIRESHARK NETWORK PROTOCOL ANALYZER TECHNIQUES and EXAMPLES of advanced data traffic analysis throughout PROVEN TOOLS FOR MORE EFFECTIVE LEARNING including chapter outlines and summaries WORKING EXAMPLES IN EVERY CHAPTER to reinforce key concepts and promote mastery KEY TERMS DEFINITIONS LISTINGS and EXTENSIVE GLOSSARY to help you master the language of networking QUESTIONS PROBLEMS and CRITICAL THINKING QUESTIONS to help you deepen your understanding CD ROM includes Net Challenge Simulation Software and the Wireshark Network Protocol Analyzer Software examples **Sys Admin** ,2005 **MCSE Windows 2000 Network Infrastructure** Dave Bixler,Larry Chambers,Joseph Phillips,2000 Designed for advanced end users network engineers and systems administrators who are seeking to pass exams in pursuit of a Microsoft Windows certification Forthcoming Books Rose Army,2002

Thank you unquestionably much for downloading **Advanced Linux Networking**. Most likely you have knowledge that, people have seen numerous periods for their favorite books in the same way as this Advanced Linux Networking, but stop in the works in harmful downloads.

Rather than enjoying a fine PDF past a cup of coffee in the afternoon, then again they juggled when some harmful virus inside their computer. **Advanced Linux Networking** is approachable in our digital library; an online entry to it is set as public fittingly you can download it instantly. Our digital library saves in combined countries, allowing you to get the most less latency times to download any of our books like this one. Merely said, the Advanced Linux Networking is universally compatible when any devices to read.

https://py.bijouxmedusa.com/data/Resources/HomePages/nft_marketplace_ideas_for_entrepreneurs_77_1544_nft_marketplace_roadmap.pdf

Table of Contents Advanced Linux Networking

1. Understanding the eBook Advanced Linux Networking
 - The Rise of Digital Reading Advanced Linux Networking
 - Advantages of eBooks Over Traditional Books
2. Identifying Advanced Linux Networking
 - Exploring Different Genres
 - Considering Fiction vs. Non-Fiction
 - Determining Your Reading Goals
3. Choosing the Right eBook Platform
 - Popular eBook Platforms
 - Features to Look for in an Advanced Linux Networking
 - User-Friendly Interface
4. Exploring eBook Recommendations from Advanced Linux Networking
 - Personalized Recommendations

- Advanced Linux Networking User Reviews and Ratings
- Advanced Linux Networking and Bestseller Lists
- 5. Accessing Advanced Linux Networking Free and Paid eBooks
 - Advanced Linux Networking Public Domain eBooks
 - Advanced Linux Networking eBook Subscription Services
 - Advanced Linux Networking Budget-Friendly Options
- 6. Navigating Advanced Linux Networking eBook Formats
 - ePub, PDF, MOBI, and More
 - Advanced Linux Networking Compatibility with Devices
 - Advanced Linux Networking Enhanced eBook Features
- 7. Enhancing Your Reading Experience
 - Adjustable Fonts and Text Sizes of Advanced Linux Networking
 - Highlighting and Note-Taking Advanced Linux Networking
 - Interactive Elements Advanced Linux Networking
- 8. Staying Engaged with Advanced Linux Networking
 - Joining Online Reading Communities
 - Participating in Virtual Book Clubs
 - Following Authors and Publishers Advanced Linux Networking
- 9. Balancing eBooks and Physical Books Advanced Linux Networking
 - Benefits of a Digital Library
 - Creating a Diverse Reading Collection Advanced Linux Networking
- 10. Overcoming Reading Challenges
 - Dealing with Digital Eye Strain
 - Minimizing Distractions
 - Managing Screen Time
- 11. Cultivating a Reading Routine Advanced Linux Networking
 - Setting Reading Goals Advanced Linux Networking
 - Carving Out Dedicated Reading Time
- 12. Sourcing Reliable Information of Advanced Linux Networking
 - Fact-Checking eBook Content of Advanced Linux Networking

- Distinguishing Credible Sources
- 13. Promoting Lifelong Learning
 - Utilizing eBooks for Skill Development
 - Exploring Educational eBooks
- 14. Embracing eBook Trends
 - Integration of Multimedia Elements
 - Interactive and Gamified eBooks

Advanced Linux Networking Introduction

In this digital age, the convenience of accessing information at our fingertips has become a necessity. Whether its research papers, eBooks, or user manuals, PDF files have become the preferred format for sharing and reading documents. However, the cost associated with purchasing PDF files can sometimes be a barrier for many individuals and organizations. Thankfully, there are numerous websites and platforms that allow users to download free PDF files legally. In this article, we will explore some of the best platforms to download free PDFs. One of the most popular platforms to download free PDF files is Project Gutenberg. This online library offers over 60,000 free eBooks that are in the public domain. From classic literature to historical documents, Project Gutenberg provides a wide range of PDF files that can be downloaded and enjoyed on various devices. The website is user-friendly and allows users to search for specific titles or browse through different categories. Another reliable platform for downloading Advanced Linux Networking free PDF files is Open Library. With its vast collection of over 1 million eBooks, Open Library has something for every reader. The website offers a seamless experience by providing options to borrow or download PDF files. Users simply need to create a free account to access this treasure trove of knowledge. Open Library also allows users to contribute by uploading and sharing their own PDF files, making it a collaborative platform for book enthusiasts. For those interested in academic resources, there are websites dedicated to providing free PDFs of research papers and scientific articles. One such website is Academia.edu, which allows researchers and scholars to share their work with a global audience. Users can download PDF files of research papers, theses, and dissertations covering a wide range of subjects. Academia.edu also provides a platform for discussions and networking within the academic community. When it comes to downloading Advanced Linux Networking free PDF files of magazines, brochures, and catalogs, Issuu is a popular choice. This digital publishing platform hosts a vast collection of publications from around the world. Users can search for specific titles or explore various categories and genres. Issuu offers a seamless reading experience with its user-friendly interface and allows users to download PDF files for offline reading. Apart from dedicated platforms, search engines also play a crucial role in finding free PDF files. Google, for instance, has an advanced search

feature that allows users to filter results by file type. By specifying the file type as "PDF," users can find websites that offer free PDF downloads on a specific topic. While downloading Advanced Linux Networking free PDF files is convenient, it's important to note that copyright laws must be respected. Always ensure that the PDF files you download are legally available for free. Many authors and publishers voluntarily provide free PDF versions of their work, but it's essential to be cautious and verify the authenticity of the source before downloading Advanced Linux Networking. In conclusion, the internet offers numerous platforms and websites that allow users to download free PDF files legally. Whether it's classic literature, research papers, or magazines, there is something for everyone. The platforms mentioned in this article, such as Project Gutenberg, Open Library, Academia.edu, and Issuu, provide access to a vast collection of PDF files. However, users should always be cautious and verify the legality of the source before downloading Advanced Linux Networking any PDF files. With these platforms, the world of PDF downloads is just a click away.

FAQs About Advanced Linux Networking Books

1. Where can I buy Advanced Linux Networking books? Bookstores: Physical bookstores like Barnes & Noble, Waterstones, and independent local stores. Online Retailers: Amazon, Book Depository, and various online bookstores offer a wide range of books in physical and digital formats.
2. What are the different book formats available? Hardcover: Sturdy and durable, usually more expensive. Paperback: Cheaper, lighter, and more portable than hardcovers. E-books: Digital books available for e-readers like Kindle or software like Apple Books, Kindle, and Google Play Books.
3. How do I choose a Advanced Linux Networking book to read? Genres: Consider the genre you enjoy (fiction, non-fiction, mystery, sci-fi, etc.). Recommendations: Ask friends, join book clubs, or explore online reviews and recommendations. Author: If you like a particular author, you might enjoy more of their work.
4. How do I take care of Advanced Linux Networking books? Storage: Keep them away from direct sunlight and in a dry environment. Handling: Avoid folding pages, use bookmarks, and handle them with clean hands. Cleaning: Gently dust the covers and pages occasionally.
5. Can I borrow books without buying them? Public Libraries: Local libraries offer a wide range of books for borrowing. Book Swaps: Community book exchanges or online platforms where people exchange books.
6. How can I track my reading progress or manage my book collection? Book Tracking Apps: Goodreads, LibraryThing, and Book Catalogue are popular apps for tracking your reading progress and managing book collections. Spreadsheets:

You can create your own spreadsheet to track books read, ratings, and other details.

7. What are Advanced Linux Networking audiobooks, and where can I find them? Audiobooks: Audio recordings of books, perfect for listening while commuting or multitasking. Platforms: Audible, LibriVox, and Google Play Books offer a wide selection of audiobooks.
8. How do I support authors or the book industry? Buy Books: Purchase books from authors or independent bookstores. Reviews: Leave reviews on platforms like Goodreads or Amazon. Promotion: Share your favorite books on social media or recommend them to friends.
9. Are there book clubs or reading communities I can join? Local Clubs: Check for local book clubs in libraries or community centers. Online Communities: Platforms like Goodreads have virtual book clubs and discussion groups.
10. Can I read Advanced Linux Networking books for free? Public Domain Books: Many classic books are available for free as they're in the public domain. Free E-books: Some websites offer free e-books legally, like Project Gutenberg or Open Library.

Find Advanced Linux Networking :

[NFT marketplace ideas for entrepreneurs 77-1544](#) [NFT marketplace roadmap](#)

[United States 77-406](#) [small business ideas trends for entrepreneurs](#)

[77-1630](#) [wearable technology review for creators 77-340](#) [wearable](#)

[cloud computing blueprint for small business 77-1306](#) [cloud computing](#)

[online tips USA 77-2997](#) [freelancing online tips for small business](#)

[small business 77-2905](#) [career growth examples for startups 77-1520](#)

online business ideas United States 77-194 **online business ideas for**

creators 77-2411 [startup funding ideas for creators 77-751](#) [startup](#)

77-2293 **business automation guide United States 77-1575** **business**

[personal finance tips America 77-2476](#) [personal finance tips USA 77-878](#)

[best practices for small business 77-1655](#) [blog monetization blueprint](#)

entrepreneurs 77-2372 **budget travel case study USA 77-2665** **budget travel**

[growth case study USA 77-2287](#) [career growth case study United States](#)

improvement apps for creators 77-2639 **self improvement best practices**

[for small business 77-2331](#) [crypto trading step by step America 77-798](#)

Advanced Linux Networking :

[kate the kate moss book tapa puede variar pasta dura](#) - Apr 11 2023

web created by kate moss herself in collaboration with creative director fabien baron jess hallett and jefferson hack this book is a highly personal retrospective of kate moss s career tracing her evolution from new girl with potential to one of

kate the kate moss book la cobertura puede variar copy - Feb 26 2022

web kate the kate moss book la cobertura puede variar curious tale of fi rex kate moss forest a see to learn book kate moss a primer for medical students residents and acute care practitioners the picu book the kate moss book a novel kate the kate moss book model of imperfection rules for modern life a connoisseur s survival guide

kate the kate moss book la cobertura puede variar copy - Jun 01 2022

web adjacent to the broadcast as well as acuteness of this kate the kate moss book la cobertura puede variar can be taken as without difficulty as picked to act kate the kate moss book la cobertura puede variar downloaded from whm oneclickdrive com by guest jimmy petersen kate the kate moss book from rizzoli new york

[download kate the kate moss book la cobertura puede variar](#) - May 12 2023

web oct 1 2021 download kate the kate moss book la cobertura puede variar de kate moss fabien baron libros gratis en epub kate the kate moss book la cobertura puede variar libro pdf espanol lee ahora descargar

kate the kate moss book la cobertura puede variar awesome - Jul 02 2022

web detail book title kate the kate moss book la cobertura puede variar format pdf kindle epub language english asin 0847837904 paperback 294 pages prod

kate the kate moss book la cobertura puede variar copy - Mar 30 2022

web apr 29 2023 kate the kate moss book la cobertura puede variar 2 10 downloaded from uniport edu ng on april 29 2023 by guest dark brooding seas baroque statuary crashing waves a long desert highway under threatening skies a berlin park at dusk enigmatic apartment buildings at night the rhine seen from the air the shadows

[kate the kate moss la cobertura puede variar pdf](#) - Jul 14 2023

web pages of kate the kate moss la cobertura puede variar a mesmerizing literary creation penned with a celebrated wordsmith readers attempt an enlightening odyssey unraveling the intricate significance of language and its enduring effect on our lives

[kate the kate moss book la cobertura puede variar pdf](#) - Nov 06 2022

web kate the kate moss book la cobertura puede variar 3 3 kate moss 97808478379 08 book depositoryop zoek naar artikelen van kate mosse artikelen van kate mosse koop je eenvoudig online bij bol com snel in huis veelal gratis verzondenbol com kate mosse artikelen kopen alle artikelen onlinekate mosse has 39 books on goodreads with

[kate the kate moss book la cobertura puede variar pdf](#) - Dec 27 2021

web kate the kate moss book la cobertura puede variar 2 11 downloaded from uniport edu ng on july 12 2023 by guest new transparency palette and superior vector and raster graphics readers start with an introduction to illustrator s many tools brushes and palettes lessons include making

kate the kate moss book la cobertura puede variar - Feb 09 2023

web kate the kate moss book la cobertura puede variar de moss kate en iberlibro com isbn 10 0847837904 isbn 13 9780847837908 rizzoli 2012 tapa dura 9780847837908 kate the kate moss book la cobertura puede variar iberlibro moss kate 0847837904

kate the kate moss book cover may vary amazon com - Jun 13 2023

web nov 6 2012 kate the kate moss book cover may vary moss kate baron fabien hallett jess hack jefferson on amazon com free shipping on qualifying offers kate the kate moss book cover may vary

kate the kate moss book la cobertura puede variar pdf - Oct 05 2022

web 2 kate the kate moss book la cobertura puede variar 2020 04 10 kate the kate moss book la cobertura puede variar downloaded from urbandev themontcalm com by guest cason allen books by kate mosse author of labyrinth kate the kate moss bookexternal links mosse s official website kate mosse s books on the publisher s

kate the kate moss book kate moss google books - Dec 07 2022

web following the international success of universe s original edition kate returns in an attractive mini paperback format featuring the celebrated original design and photographs by bruce weber steven meisel peter lindberg and other famous fashion photographers in her unique and endearing style moss traces her evolution from shy teen into the

[kate the kate moss book la cobertura puede variar copy](#) - Jan 28 2022

web may 25 2023 you could enjoy now is kate the kate moss book la cobertura puede variar below claimed among the stars a sci fi romance charity anthology kate rudolph 2021 09 15 make contact with the hottest alien anthology in the universe claimed among the stars will rocket you to reading bliss with more action adventure and pleasure than

kate the kate moss la cobertura puede variar charles w l - Sep 04 2022

web kate the kate moss la cobertura puede variar kate the kate moss la cobertura puede variar 1 downloaded from bespoke cityam com on 2023 06 10 by guest kate the kate

kate the kate moss book cover may vary goodreads - Mar 10 2023

web 141 ratings9 reviews created by kate moss herself in collaboration with creative director fabien baron jess hallett and jefferson hack this book is a highly personal retrospective of kate moss s career tracing her evolution from new girl with potential to one of the most iconic models of all time the kate moss book will be

[kate the kate moss la cobertura puede variar marian green book](#) - Apr 30 2022

web to creating a customer profile the book explains key theoretical concepts and illustrates how they are applied within the global fashion and retail industry from the heights of haute couture to the multiples of the mass market using examples and case studies drawn from a broad range of fashion textile and retail businesses

kate the kate moss book la cobertura puede variar tapa - Aug 15 2023

web created by kate moss herself in collaboration with creative director fabien baron jess hallett and jefferson hack this book is a highly personal retrospective of kate moss s career tracing her evolution from new girl with potential to one of

[kate the kate moss book amazon com](#) - Jan 08 2023

web aug 15 1997 kate the kate moss book kate moss liz tilberis on amazon com free shipping on qualifying offers kate the kate moss book ana de la serna martín 4 0 out of 5 stars recopilación de fotos de kate moss reviewed in spain on april 21

2021 verified purchase demasiadas fotos de desnudo he echado en falta muchas

kate the kate moss book la cobertura puede variar pdf - Aug 03 2022

web may 3 2023 kate the kate moss book la cobertura puede variar 2 12 downloaded from uniport edu ng on may 3 2023 by guest advertising campaigns today black city fernando gamboa 2015 11 30 an ancient mistery an impossible place an unimaginable adventure professor castillo s daughter has mysteriously disappeared in the amazon jungle

[saxon math program saxon math placement tests sonlight](#) - May 01 2022

web saxon math placement get your saxon math programs here primary grades math k 3 placement test middle grades math 54 through algebra 1 2 placement test algebra 1 placement test algebra 2 placement test upper grades placement test

placement tests macmillan straightforward - Sep 05 2022

web placement tests in this section you will find placement tests to help you find which level of straightforward your students should be using each test has 50 questions with one point available for each correct answer levels are then determined by

free math placement tests for elementary grade placement - Jun 14 2023

web may 26 2023 bju press offers several free math placement tests for upper elementary students these assessments may help you decide which grade level your child is ready for or highlight areas of focus where he or she lacks mastery

[math placement test hand in hand homeschool](#) - Mar 11 2023

web may 21 2020 what math placement tests tell you math placement tests are basically end of year tests that sample a child s math skills across all grade appropriate math topics from number sense to algebraic skills a low score on a math placement test does not mean the child has failed the test

free homeschool placement tests homeschool testing sonlight - May 13 2023

web access singapore placement tests for both primary math and new elementary math answer keys for the placement tests

are also posted here saxon math placement guides tests take saxon math placement tests for primary and middle grades plus algebra 1 and 2 horizons math readiness evaluations

math mammoth placement tests for grades 1 7 free math - Aug 16 2023

web download free and comprehensive math tests that can be used either as general math assessment tests or as placement tests for math mammoth i also include suggestions for remedial materials

math khan academy - Jul 03 2022

web 3rd grade eureka math engageny module 1 properties of multiplication and division and solving problems with units of 2 5 and 10 module 2 place value and problem solving with units of measure module 3 multiplication and division with units of 0 1 6 9 and multiples of 10 module 4 multiplication and area

do you have placement tests master books - Jan 29 2022

web here is a link to the placement test for our elementary math series math lessons for a living education elementary math placement test our placement test for pre algebra includes two parts principles of mathematics book 1 assessment review test book 1

calvert homeschool diagnostic tests - Jan 09 2023

web determine your child s placement level with our free diagnostic tests diagnostic tests to accurately place your child into our calvert curriculum we offer free placement test resources

primary math placement test calvert education - Feb 10 2023

web directions th is placement test will evaluate your student on the skills necessary to successfully begin the first second or th ird grade math curriculum work with your child to complete the test of ering minimal assistance as needed

find a math test to determine grade level homeschool com - Apr 12 2023

web singapore math placement tests use these free math placement tests for your elementary homeschooler to help determine a relative grade level for math math level assessment resources here are some other math placement tools and resources to help you determine your child s math levels

free elementary math placement tests - Jul 15 2023

web free elementary math placement tests if you are a tutor intervention teacher or parent looking for a way to individually assess an individual child s math skills here are some free elementary math placement tests you can use

placement tests thinkwell homeschool - Oct 06 2022

web thinkwell placement tests for grades 6 8 math algebra 1 geometry and algebra 2 are free find out which course is right for your student

homeschool placement test faqs bju press blog - Nov 07 2022

web jul 13 2021 if you re just starting homeschooling or questioning which grade to place your children in you ve probably wondered about giving them a placement test a placement test can help you buy resources most suited to your children s academic needs but most curriculum publishers don t offer placement tests for their courses

placement and aleks learning module information - Dec 28 2021

web the aleks placement assessment covers material from basic mathematics through precalculus and will take approximately 90 minutes to complete if you already have an sat math or act math score that meets or exceeds course requirements listed above you do not have to take the aleks placement assessment to place into a mathematics

take the placement tests the good and the beautiful - Dec 08 2022

web while simply good and beautiful math contains the highest academic standards it more closely follows grade levels and is not considered advanced levels math k through math 6 are currently available math 7 8 will be released in upcoming years

use this placement test to help you determine which level best fits your child

how to prepare for the math placement test study com - Jun 02 2022

web math placement tests assess your level of math to see if you re ready for college level math this guide provides you with an overview of placement tests the specifics of the three

elementary math placement test teaching resources tpt - Aug 04 2022

web browse elementary math placement test resources on teachers pay teachers a marketplace trusted by millions of teachers for original educational resources

placement test mathi pdf google drive - Mar 31 2022

web view details request a review learn more

placement resources easy peasy all in one homeschool - Feb 27 2022

web let your kinder 8th grade students use this placement test to see our suggestions for math reading and language arts preschool students can just start at preschool if they need to learn their letter names and sounds high school students should not use these placement resources

bently nevada 1701 user manual by robertfowler1893 issuu - Sep 22 2021

distributed vibration monitoring systems bently nevada baker - Nov 05 2022

web with your specific operations assets objectives and the entirety of the bently nevada portfolio it is not intended that this guide be read cover to cover much of the content is

bently nevada 1701 user manual bespoke cityam com - Mar 29 2022

web fracture mechanics fundamentals and applications fourth edition add comment a b carroll s a k buchholtz sbusiness and

society business and society ethics and

system 1 condition monitoring software bently - Dec 06 2022

web 1771 cfm 100khz bently nevada 3300 operation manual bently nevada 3300 bently nevada 3300 manual bently nevada 3300 8mm probe bently nevada proximity sensor

bently nevada user manuals download manualslib - Mar 09 2023

web view download of more than 50 bently nevada pdf user manuals service manuals operating guides measuring instruments recording equipment user manuals

bently nevada 1701 user manual secure4 khronos - Nov 24 2021

bently nevada 1701 user manual pdf 2023 test sbrick - Feb 25 2022

web may 26 2023 we disburse for bently nevada 1701 user manual and plentiful books archives from fictions to scientific studyh in any way you wont be baffled to enjoy every

ge bently nevada 1701 15 fieldmonitor proximator input - Aug 14 2023

web 1701 15 ge bently nevada 1701 15 fieldmonitor proximator input monitor for radial vibration and thrust position from ge bently nevada buy today from artisan fast

3500 manuals and datasheets datasheet 141526 baker hughes - Oct 04 2022

web bently nevada asset condition monitoring 1701 05 fieldmonitor terminal base description the 1701 05 terminal base is the mounting platform for the fieldmonitor

bently nevada 1701 user manual issuu - May 31 2022

web bently nevada 1701 user manual pdf 1 2 downloaded from test sbrick com on january 17 2023 by guest bently nevada 1701 user manual pdf if you ally habit such a referred

bently nevada asset performance management - Jan 07 2023

web the bently nevada dvd contains manuals and datasheets in all available languages n manuals provide instructions to install operate and maintain the 3500 series machinery

bently nevada 1701 user manual by kevinmason3246 issuu - Apr 29 2022

web bently nevada 1701 user manual blackboard architectures and applications oct 17 2021 blackboard architectures and applications focuses on studies done on blackboard

plantwide condition monitoring baker hughes - Aug 02 2022

web sep 22 2017 this document talk about the subject of bently nevada 1701 user manual as well as the whole set of accommodating information plus details about that

[find the click here artisantg](#) - Jul 01 2022

web bently nevada 1701 user manual is available in our digital library an online access to it is set as public so you can get it instantly our book servers hosts in multiple locations

1701 30 fieldmonitor dynamic pressure monitor kishore - Jun 12 2023

web sep 25 2016 the 1701 30 fieldmonitortm dynamic pressure monitor is a specialized monitor that monitors the pressure pulsations that can result from gas turbine

bently nevada 1701 user manual - Dec 26 2021

web aug 3 2017 this bently nevada 1701 user manual pdf file is documented within our data source as ywsmjtiyqz with file size for around 192 77 and thus submitted at

1701 fieldmonitortm series bright eng - Feb 08 2023

web bently nevada distributed vibration monitoring and protection systems serve to prevent catastrophes and to monitoring the health of machines learn more today

bently nevada user manuals - Apr 10 2023

web 9 rows user manual release date 154m74a users manual users manual 2021 09

bently 1701 datasheet application notes datasheet archive - Sep 03 2022

web sep 5 2017 this document talk about the subject of bently nevada 1701 user manual as well as the whole set of accommodating information plus details about that

bently nevada 1701 user manual airosporswear com - Oct 24 2021

bently nevada 1701 user manual by 1178377 issuu - May 11 2023

web jan 23 2018 this bently nevada 1701 user manual pdf file is documented within our data source as ywsmjtiyqz with file size for around 192 77 and thus submitted at

1701 15 fieldmonitor proximitor input monitor for radial vibration - Jul 13 2023

web the 1701 15 fieldmonitor proximitor input monitor is a 2 channel device that accepts signals from proximity probes via its associated transducer i o or internal proximitor module

bently nevada 1701 user manual help environment harvard edu - Jan 27 2022

web bently nevada 1701 user manual mipmip de 1701 15 fieldmonitor proximitor input monitor for radial bently nevada vibration manual guru10 net june 17th 2018 bently