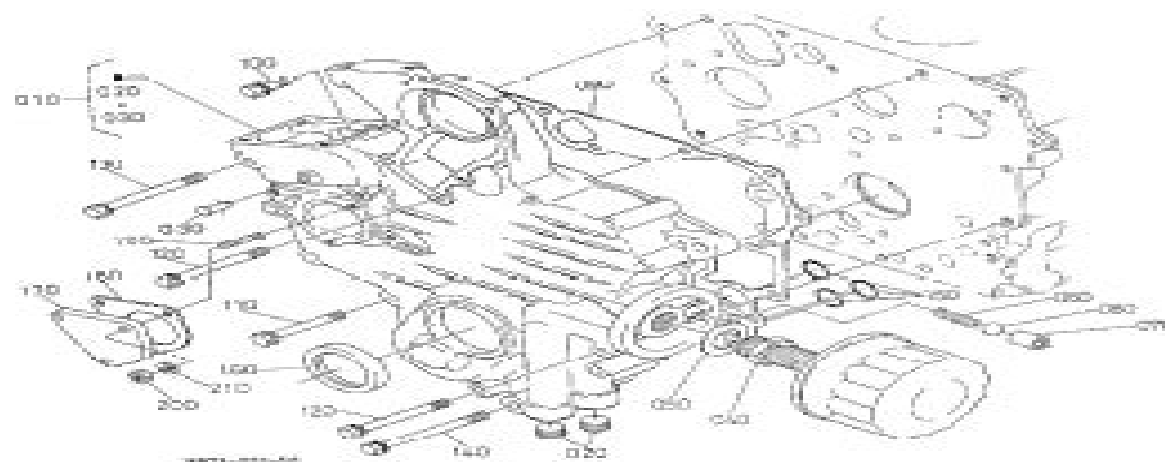


0004

**GEAR CASE  
CARTER DE DISTRIBUTION  
GETRIEBEGEHAUSE**


A:DT22-ERR-EC-STD-2

ILL. NO. FIG. N°	PART NO. REFERENCE BEZEL- Nr.	PART NAME	DESIGNATION	BEZEICHNUNG	STUDOLC No.		I. C.	SPARECS REPARTEILS BEZEICHNUNGEN
					A	B		
010	16889-0402-0	CRWP. CASE, GEAR	CARTER DISTR. COMP.	KMP. GETRIEBEGEHAUSE	1	-		
020	16851-9601-0	FLIE	BOUCHON	STÖPFEN	2	-		
030	15841-5628-0	PIN, START SPRING	GOUPILLE DU RESSORT	STARTFEDERSTIFT	1	-		
040	15241-3229-0	JOINT, PIPE	RACCORD DE TIRAGE	VERBINDUNGSSTUECK	1	-		
050	15841-9401-0	WASHER, PLAIN	RONDELLE FREIN	SCHREIBE	1	-		
060	16851-3695-0	SPRING	RESSORT	FEDER	1	-		
070	15841-3693-0	SEAT, VALVE	SIEGE DE SOUPEPE	SITZ, VENTIL	1	-		
080	07715-03211	BALL	BIJULE	KUGEL	1	-		
090	15862-0413-2	GASKET, GEAR CASE NR	JOINT DE CARTER-015.	DICHTUNG, GETR. GET	1	-		
100	01023-60618	BELT	VIT	BOLZEN	1	-		
110	01023-60650	BELT	VIT	BOLZEN	8	-		
120	15841-0101-0	BELT	VIT	BOLZEN	5	-		
130	01023-60670	BELT	VIT	BOLZEN	1	-		
140	01023-60675	BELT	VIT	RAIFEN	1	-		
150	04814-08130	O RING	JOINT TORIQUE	O RING	8	-		
160	15877-0414-0	SEAL, OIL	BASE JOINT	ÖLDICHTUNGSRING	1	-		
170	19461-8334-0	COVER	COUVERCLE	DECKEL	1	-		
180	10461-8813-2	GASKET, H/W GEAR CASE	JOINT	DICHTUNG	1	-		
190	15271-8821-0	STED	GOIJON	STEBBOLZEN	8	-		
200	02056-50060	NUT	ECROU	MUTTER	8	-		
210	04512-60060	WASHER, SPRING	RONDELLE GRWDR	FEDERRING	8	-		

↔ Interchangeable; ↗ not interchangeable; 0 - new for old; → old for new

# 6d22 Engine Part Catalog

**Daniela Niemeyer**



## 6d22 Engine Part Catalog:

**Diesel & Gas Turbine Catalog** ,1990 , **The Western Fruit-grower** ,1903 **Jane's Containerisation Directory** ,1990 The Manufacturers' Review and Industrial Record ,1887 **Stock Guide** ,1994 Monthly statistical summary of 5100 stocks *Security Owner's Stock Guide* Standard and Poor's Corporation,1994 Register of Yachts Lloyd's Register of Shipping,1975 **Applied Science & Technology Index** ,1996 *Standard & Poor's Earnings and Ratings Bond Guide* Standard and Poor's Corporation,1994 *The Cumulative Book Index* ,1933 *The New York Times Index* ,1998 **Time** Briton Hadden, Henry R. Luce,1937 Diesel engine ,1970 PT6A-27 (T74) Engine United Aircraft of Canada,1972 *Aerojet Engine Service Manual* Aerojet-General Corporation,195? **Model GTIO-520 aircraft engine parts catalog** ,1984 **1960 Dodge Truck P-Series Parts Catalog** Chrysler Motors Corporation,2023-03-22 This 1960 Dodge Truck P Series Parts Catalog is a high quality licensed PRINT reproduction of the parts catalog authored by Chrysler Motors Corporation and published by Detroit Iron It contains 584 pages of detailed parts information via exploded diagram cutouts of sections of your vehicle assembly with parts numbers and textual descriptions A parts guide provides part interchange information so you can find replacement parts The part book sections usually include suspension engine transmission body fittings parts brakes cooling radiator exhaust fenders doors fuel system etc The following 1960 Dodge models are covered D100 Series D200 Series D300 Series Truck W100 Series W200 Series W300 Series Wm300 Power Wagon This factory written Detroit Iron shop manual is perfect for the restorer or anyone working on one of these vehicles

**D333 Engine Parts Catalog Serial Numbers 58B1-UP.** Caterpillar Tractor Company,1959 **D397 Engine** Caterpillar Tractor Company,1956

## Whispering the Strategies of Language: An Mental Journey through **6d22 Engine Part Catalog**

In a digitally-driven earth where screens reign great and quick interaction drowns out the subtleties of language, the profound secrets and mental subtleties hidden within phrases usually go unheard. Yet, situated within the pages of **6d22 Engine Part Catalog** a interesting fictional treasure pulsating with natural emotions, lies an exceptional journey waiting to be undertaken. Composed by a skilled wordsmith, that wonderful opus attracts readers on an introspective journey, lightly unraveling the veiled truths and profound influence resonating within ab muscles cloth of each and every word. Within the emotional depths of this poignant review, we can embark upon a heartfelt exploration of the book is primary subjects, dissect their fascinating publishing model, and yield to the effective resonance it evokes strong within the recesses of readers hearts.

[https://py.bijouxmedusa.com/public/scholarship/Download\\_PDFS/Mental\\_Wellness\\_For\\_Beginners\\_For\\_Creators\\_94\\_202\\_Mental\\_Wellness\\_For.pdf](https://py.bijouxmedusa.com/public/scholarship/Download_PDFS/Mental_Wellness_For_Beginners_For_Creators_94_202_Mental_Wellness_For.pdf)

### **Table of Contents 6d22 Engine Part Catalog**

1. Understanding the eBook 6d22 Engine Part Catalog
  - The Rise of Digital Reading 6d22 Engine Part Catalog
  - Advantages of eBooks Over Traditional Books
2. Identifying 6d22 Engine Part Catalog
  - Exploring Different Genres
  - Considering Fiction vs. Non-Fiction
  - Determining Your Reading Goals
3. Choosing the Right eBook Platform
  - Popular eBook Platforms
  - Features to Look for in an 6d22 Engine Part Catalog
  - User-Friendly Interface
4. Exploring eBook Recommendations from 6d22 Engine Part Catalog
  - Personalized Recommendations

- 6d22 Engine Part Catalog User Reviews and Ratings
- 6d22 Engine Part Catalog and Bestseller Lists
- 5. Accessing 6d22 Engine Part Catalog Free and Paid eBooks
  - 6d22 Engine Part Catalog Public Domain eBooks
  - 6d22 Engine Part Catalog eBook Subscription Services
  - 6d22 Engine Part Catalog Budget-Friendly Options
- 6. Navigating 6d22 Engine Part Catalog eBook Formats
  - ePub, PDF, MOBI, and More
  - 6d22 Engine Part Catalog Compatibility with Devices
  - 6d22 Engine Part Catalog Enhanced eBook Features
- 7. Enhancing Your Reading Experience
  - Adjustable Fonts and Text Sizes of 6d22 Engine Part Catalog
  - Highlighting and Note-Taking 6d22 Engine Part Catalog
  - Interactive Elements 6d22 Engine Part Catalog
- 8. Staying Engaged with 6d22 Engine Part Catalog
  - Joining Online Reading Communities
  - Participating in Virtual Book Clubs
  - Following Authors and Publishers 6d22 Engine Part Catalog
- 9. Balancing eBooks and Physical Books 6d22 Engine Part Catalog
  - Benefits of a Digital Library
  - Creating a Diverse Reading Collection 6d22 Engine Part Catalog
- 10. Overcoming Reading Challenges
  - Dealing with Digital Eye Strain
  - Minimizing Distractions
  - Managing Screen Time
- 11. Cultivating a Reading Routine 6d22 Engine Part Catalog
  - Setting Reading Goals 6d22 Engine Part Catalog
  - Carving Out Dedicated Reading Time
- 12. Sourcing Reliable Information of 6d22 Engine Part Catalog
  - Fact-Checking eBook Content of 6d22 Engine Part Catalog

- Distinguishing Credible Sources
13. Promoting Lifelong Learning
    - Utilizing eBooks for Skill Development
    - Exploring Educational eBooks
  14. Embracing eBook Trends
    - Integration of Multimedia Elements
    - Interactive and Gamified eBooks

## **6d22 Engine Part Catalog Introduction**

In today's digital age, the availability of 6d22 Engine Part Catalog books and manuals for download has revolutionized the way we access information. Gone are the days of physically flipping through pages and carrying heavy textbooks or manuals. With just a few clicks, we can now access a wealth of knowledge from the comfort of our own homes or on the go. This article will explore the advantages of 6d22 Engine Part Catalog books and manuals for download, along with some popular platforms that offer these resources. One of the significant advantages of 6d22 Engine Part Catalog books and manuals for download is the cost-saving aspect. Traditional books and manuals can be costly, especially if you need to purchase several of them for educational or professional purposes. By accessing 6d22 Engine Part Catalog versions, you eliminate the need to spend money on physical copies. This not only saves you money but also reduces the environmental impact associated with book production and transportation. Furthermore, 6d22 Engine Part Catalog books and manuals for download are incredibly convenient. With just a computer or smartphone and an internet connection, you can access a vast library of resources on any subject imaginable. Whether you're a student looking for textbooks, a professional seeking industry-specific manuals, or someone interested in self-improvement, these digital resources provide an efficient and accessible means of acquiring knowledge. Moreover, PDF books and manuals offer a range of benefits compared to other digital formats. PDF files are designed to retain their formatting regardless of the device used to open them. This ensures that the content appears exactly as intended by the author, with no loss of formatting or missing graphics. Additionally, PDF files can be easily annotated, bookmarked, and searched for specific terms, making them highly practical for studying or referencing. When it comes to accessing 6d22 Engine Part Catalog books and manuals, several platforms offer an extensive collection of resources. One such platform is Project Gutenberg, a nonprofit organization that provides over 60,000 free eBooks. These books are primarily in the public domain, meaning they can be freely distributed and downloaded. Project Gutenberg offers a wide range of classic literature, making it an excellent resource for literature enthusiasts. Another popular platform for 6d22 Engine Part Catalog books and manuals is Open Library. Open Library is an initiative of the Internet Archive, a non-profit

organization dedicated to digitizing cultural artifacts and making them accessible to the public. Open Library hosts millions of books, including both public domain works and contemporary titles. It also allows users to borrow digital copies of certain books for a limited period, similar to a library lending system. Additionally, many universities and educational institutions have their own digital libraries that provide free access to PDF books and manuals. These libraries often offer academic texts, research papers, and technical manuals, making them invaluable resources for students and researchers. Some notable examples include MIT OpenCourseWare, which offers free access to course materials from the Massachusetts Institute of Technology, and the Digital Public Library of America, which provides a vast collection of digitized books and historical documents. In conclusion, 6d22 Engine Part Catalog books and manuals for download have transformed the way we access information. They provide a cost-effective and convenient means of acquiring knowledge, offering the ability to access a vast library of resources at our fingertips. With platforms like Project Gutenberg, Open Library, and various digital libraries offered by educational institutions, we have access to an ever-expanding collection of books and manuals. Whether for educational, professional, or personal purposes, these digital resources serve as valuable tools for continuous learning and self-improvement. So why not take advantage of the vast world of 6d22 Engine Part Catalog books and manuals for download and embark on your journey of knowledge?

## FAQs About 6d22 Engine Part Catalog Books

**What is a 6d22 Engine Part Catalog PDF?** A PDF (Portable Document Format) is a file format developed by Adobe that preserves the layout and formatting of a document, regardless of the software, hardware, or operating system used to view or print it. **How do I create a 6d22 Engine Part Catalog PDF?** There are several ways to create a PDF: Use software like Adobe Acrobat, Microsoft Word, or Google Docs, which often have built-in PDF creation tools. Print to PDF: Many applications and operating systems have a "Print to PDF" option that allows you to save a document as a PDF file instead of printing it on paper. Online converters: There are various online tools that can convert different file types to PDF. **How do I edit a 6d22 Engine Part Catalog PDF?** Editing a PDF can be done with software like Adobe Acrobat, which allows direct editing of text, images, and other elements within the PDF. Some free tools, like PDFescape or Smallpdf, also offer basic editing capabilities. **How do I convert a 6d22 Engine Part Catalog PDF to another file format?** There are multiple ways to convert a PDF to another format: Use online converters like Smallpdf, Zamzar, or Adobe Acrobats export feature to convert PDFs to formats like Word, Excel, JPEG, etc. Software like Adobe Acrobat, Microsoft Word, or other PDF editors may have options to export or save PDFs in different formats. **How do I password-protect a 6d22 Engine Part Catalog PDF?** Most PDF editing software allows you to add password protection. In Adobe Acrobat, for instance, you can go to "File" ->

"Properties" -> "Security" to set a password to restrict access or editing capabilities. Are there any free alternatives to Adobe Acrobat for working with PDFs? Yes, there are many free alternatives for working with PDFs, such as: LibreOffice: Offers PDF editing features. PDFsam: Allows splitting, merging, and editing PDFs. Foxit Reader: Provides basic PDF viewing and editing capabilities. How do I compress a PDF file? You can use online tools like Smallpdf, ILovePDF, or desktop software like Adobe Acrobat to compress PDF files without significant quality loss. Compression reduces the file size, making it easier to share and download. Can I fill out forms in a PDF file? Yes, most PDF viewers/editors like Adobe Acrobat, Preview (on Mac), or various online tools allow you to fill out forms in PDF files by selecting text fields and entering information. Are there any restrictions when working with PDFs? Some PDFs might have restrictions set by their creator, such as password protection, editing restrictions, or print restrictions. Breaking these restrictions might require specific software or tools, which may or may not be legal depending on the circumstances and local laws.

### **Find 6d22 Engine Part Catalog :**

~~mental wellness for beginners for creators 94-202 mental wellness for 94-1050 smart home tech strategies America 94-843 smart home tech entrepreneurs 94-571 real estate investing review for startups 94-580 tips for small business 94-2965 cybersecurity tips for startups 94-1220 investing software USA 94-1731 real estate investing software for 94-2665 side hustles review USA 94-2095 side hustles review USA 94-2270 USA 94-2296 parenting tips trends USA 94-2280 parenting tips trends strategies America 94-2351 affiliate marketing strategies for small 94-158 dropshipping business roadmap for small business 94-281 America 94-1169 startup funding examples United States 94-1137 startup 94-1084 print on demand strategies United States 94-1903 print on demand home tech checklist for entrepreneurs 94-557 smart home tech checklist 94-1321 self improvement tools United States 94-2157 self improvement comparison America 94-308 small business ideas comparison for for small business 94-707 crypto investing strategies for startups~~

**6d22 Engine Part Catalog :**

*thematic reading anthology lumen humanities libretxts* - Oct 04 2022

web this anthology is a curated collection of openly licensed primary texts organized thematically designed to be used as a reader in english composition courses includes personal essays literature

thematic reading anthology simple book production lumen - May 31 2022

web consumer debt the 182 percent loan how installment lenders put borrowers in a world of hurt by paul kiel and krista kjellman schmidt on victory drive soldiers defeated by debt by paul kiel and mitchell hartman the payday playbook how high cost lenders fight to stay legal by paul kiel

**oxford advanced thematic anthology 4 unit 24 answer** - May 11 2023

web answer key oxford advanced thematic anthology book 4 unit 24 comprehension pp 174 175 1 i couples ii family members 2 the words have become less meaningful insignificant 3 to show that people sometimes use the word love too freely any reasonable answer 4 i giving a small gift any reasonable answer ii i think we should

**answer key comprehension pp 165 166 pdf scribd** - Jul 13 2023

web answer key oxford advanced thematic anthology book 4 unit 23 give everyone advice on how to stay healthy in a dangerous environment any reasonable answer vocabulary a p 167 1 adjective ethical 6 noun framework 2 adjective analytical 7 noun negotiation

*ta bk 2 ans unit 1 studylib net* - Oct 16 2023

web 1 answers new junior thematic anthology 2 unit 1 pranked hkdse 1 the vending machine 2 in a shopping centre 3 because he thinks it is boring as boring as watching paint dry 4a whispered b boomed 5 voice snack 6a they have more custard than other pies b they have less pastry than other pies 7

*oata bk3u21 ans 69420 bozo the norton anthology english* - Aug 02 2022

web answer key oxford advanced thematic anthology book 3 unit 21 comprehension pp 138 139 1 a 2 people who use the internet 3 sharing too much personal information on the internet 4 lose the ability to communicate in reality 5 i being fooled into lending strangers money ii becoming victims of sexual crimes 6 the impression of anonymity 7 i

oxford advanced thematic anthology answer key studypool - Aug 14 2023

web you must state your answers within a complete sentence so that your understanding of applying the results of the computations can be observed you should also include the work for your computation this will assist in applying partial credit if your answers are not correct attached is the file with the hw questions as well as an

**oxford advanced thematic anthology 4 unit 27 answer** - Jan 07 2023

web answer key oxford advanced thematic anthology book 4 unit 27 vocabulary a p 200 1 tasked 2 vital 3 preoccupied 4

candid 5 reliance 6 salient 7 misstep 8 reasoned 9 undermine 10 impact vocabulary b p 201 1 macro photography 2 infrared photography 3 composite photography 4 fashion photography 5 documentary photography 2 oxford

**answer key comprehension pp 102 103 pdf books scribd** - Sep 15 2023

web answer key oxford advanced thematic anthology book 4 unit 15 comprehension pp 102 103 1 i dismiss 9 because she is in an unhappy marriage ii shy away 2 i novel 10 because he thinks that eleanor has had her way too often and ii cast needs someone to oppose her iii asian but he doesn't want to do it iv 1993 himself

*ta bk 2 ans unit 1 unit 24 docx 1 answers new junior thematic* - Mar 09 2023

web 1 answers new junior thematic anthology 2 unit 1 pranked hkdse 1 the vending machine 2 in a shopping centre 3 because he thinks it is boring as boring as watching paint dry 4a whispered b boomed 5 voice snack 6a they have more custard than other pies b they have less pastry than other pies 7

**themed anthologies lucy a snyder** - Feb 25 2022

web jul 25 2017 a themed anthology is a book length work containing short stories essays or poetry all written by different authors on the same theme concept or topic themed short story anthologies are very common and make up the majority of anthologies from major publishers that readers find on bookstore shelves

answers secondary oxford university press - Nov 05 2022

web here you will find answers to all of the test yourself sections in the book unit 1 answers doc unit 2 answers doc unit 3 answers doc unit 4 answers doc unit 5 answers doc unit 6 answers doc help support follow us on social media join educational research forum rights permissions press media oxd

*oxford advanced thematic anthology google books* - Jul 01 2022

web oxford advanced thematic anthology publisher oxford university press china limited 2019 isbn 019098290x 9780190982904 export citation bibtex endnote refman about google books

**anthology definition and examples in literature thoughtco** - Apr 29 2022

web published on february 28 2018 in literature an anthology is a series of works collected into a single volume usually with a unifying theme or subject these works could be short stories essays poems lyrics or plays and they are usually selected by an editor or a small editorial board it should be noted that if the works assembled

oxford advanced thematic anthology 4 unit 22 answer - Jun 12 2023

web answer key oxford advanced thematic anthology book 4 unit 22 to communicate in a different way any reasonable answer vocabulary a p 160 1 social movement 2 hyperbole 3 acronym 4 frivolity 5 ramifications 6 hackneyed 7 radicalism 8 degradation 9 organic 10 railed vocabulary b p 161 1 lurker 2 bump 3 noob 4 hashtag 5 photobomb 6

thematic anthology units 5 10 16 25 pdf scribd - Feb 08 2023

web thematic anthology units 5 10 16 25 free download as pdf file pdf text file txt or read online for free

**oata bk3u8 ans docx pdf answer key oxford advanced thematic anthology** - Mar 29 2022

web answer key oxford advanced thematic anthology book 3 unit 8 vocabulary a p 52 1 renowned 2 screenwriter 3 themes 4 big break 5 caused a stir 6 depicted 7 timeless 8 confronted 9 apocalyptic 10 roam vocabulary b p

**new thematic anthology topics and modules** - Sep 03 2022

web new thematic anthology topics and modules unit module elective companion 1 school days study school life and work poems and songs oxford essential paper 1 set 7 2 summer boredom leisure and entertainment drama hkdse exam skills paper 2 unit 3 3 a superhero wonderful things short stories advantage

**oxford advanced thematic anthology 4 unit 32 answer** - Apr 10 2023

web answer key oxford advanced thematic anthology book 4 unit 32 14 i melinda wu ii tom ho15 i f ii ngiii t vocabulary a p 240 1 invaluable 2 morale 3 prohibitively 4 adjourned 5 strategic6 called to order 7 footing 8 broke with tradition 9

misguided 10 cope with vocabulary b p 241 1e 2 d 3 h 4a 5 j 6 b 7g 8c 9 i 10f 2 oxford university

senior secondary oxford university press china oxford - Dec 06 2022

web oxford essential and oxford advanced thematic anthology is a four level series for junior and senior secondary school students the series aims to enhance students reading vocabulary building and writing skills through exposing them to a rich and varied range of language arts and non language arts texts

**nerdfighteria wiki macroeconomics crash course economics 5** - Apr 30 2023

web 2023 10 02 02 30 adriene hi i m adriene hill welcome back to crash course economics as you may remember from our first video economics can be divided into two parts microeconomics and macroeconomics since macroeconomics is the one that s most often in the news that s where we re gonna start

**supply and demand crash course economics 4 youtube** - Jan 28 2023

web aug 14 2015 4 5 6 7 8 9 k 3 7m views 8 years ago crash course best of in which adriene hill and jacob clifford teach you about one of the fundamental economic ideas supply and demand

**intro to economics crash course econ 1 youtube** - Aug 23 2022

web jul 8 2015 7 2m views 8 years ago economics in which jacob clifford and adriene hill launch a brand new crash course on economics so what is economics

prime video crash course economics season 1 - Apr 18 2022

web mar 21 2023 7 today on crash course economics adriene and jacob talk about the 2008 financial crisis and the us government s response to the troubles so all this starts with home mortgages and the use of mortgages as an investment instrument for years it seemed like the us housing market would go up and up

**a crash course in macroeconomics online bachelor degrees** - Feb 14 2022

web this crash course will focus on macroeconomics or the bigger economic picture by adopting a bootcamp approach catered for novice readers it will present the fundamental macroeconomic theories and concepts that gave birth to the sub field and helped define it

**ap macroeconomics crash course for the 2021 exam book** - Sep 23 2022

web start reading ap macroeconomics crash course for the 2021 exam book online online and get access to an unlimited library of academic and non fiction books on perlego skip to main content discover pricing website language deutsch de english en selected language español es français fr italiano it

**economic systems and macroeconomics crash course economics** - Dec 27 2022

web in which jacob clifford and adriene hill teach you about economic systems and macroeconomics so economics is basically about choices we ll look at some of the broadest economic choices when we talk about the difference between planned economies and market economies

*economics youtube* - Nov 25 2022

web apr 16 2020 intro to economics crash course econ 1 crashcourse 7 3m views 8 years ago 3 9 04 specialization and trade crash course economics 2 crashcourse 3m views 8 years ago 4

*ap macroeconomics crash course book online google* - Mar 18 2022

web sep 15 2020 our crash course is based on an in depth analysis of the revised ap macroeconomics course description outline and sample ap test questions we cover only the information tested on the exam so you can make the

*macroeconomics crash course economics 5 voicetube* - May 20 2022

web play video hi i m adriene hill welcome back to crash course economics economics can be divided into two parts microeconomics and macroeconomics that s where we re gonna start we ll get to microeconomics which is also super important in future episodes

crash course economics 5 macroeconomics flashcards quizlet - Jun 20 2022

web preview terms in this set 20 macroeconomics the kind of economics that shows up in the news most often economic study of the entire economy great depression the economic event that made economists realize they needed a way to measure the strength of the economy as a whole human behavior

**macroeconomics crash course economics 5 youtube** - Oct 05 2023

web aug 24 2015 this week adriene and jacob teach you about macroeconomics this is the stuff of big picture economics and the major movers in the economy like taxes and monetary policy and inflation and

ap macroeconomics crash course book online get a - Jul 22 2022

web sep 15 2020 ap macroeconomics crash course book online expert test taking strategies and advice unlike other test preps reas ap macroeconomics crash course gives you a review specifically focused on what you

**free course economics by crashcourse from crashcourse** - Oct 25 2022

web macroeconomics crash course economics 5 productivity and growth crash course economics 6 inflation and bubbles and tulips crash course economics 7 fiscal policy and stimulus crash course economics 8 deficits debts crash course economics 9 what s all the yellen about monetary policy and the federal reserve crash

**economics crash course fundamental theories and models** - Feb 26 2023

web economics crash course fundamental theories and models understanding supply demand key performance indicators monetary fiscal policy externalities and competition free tutorial 5 0 4 ratings 1 311 students 1hr 37min of on demand video created by andy kim tomas levani english english auto what you ll learn course content reviews

**crash course economics** - Jun 01 2023

web in 35 episodes adriene hill and jacob clifford teach you economics this course is based on an introductory college level curriculum and the 2015 ap economics guidelines

**macroeconomics economics khan academy** - Sep 04 2023

web macroeconomics is about whole economies what is gdp why does the economy boom and bust how is the government involved we hit the traditional topics from a college level macroeconomics course

**jacob clifford youtube** - Mar 30 2023

web i m also the co host of crash course economics tiktok com jacobcliffordecon and 3 more links subscribe home videos shorts live playlists community about 0 00 0 00 halloween econ in real

**economic systems and macroeconomics crash course** - Aug 03 2023

web jul 30 2015 crashcourse 15m subscribers subscribe 3 4m views 8 years ago economics in which jacob clifford and adriene hill teach you about economic systems and macroeconomics so economics is basically

**macroeconomics crash course economics 5** - Jul 02 2023

web macroeconomics crash course economics 5 this week adriene and jacob teach you about macroeconomics this is the stuff of big picture economics and the major movers in the economy like taxes and monetary policy and inflation and policy we need this stuff because if you don t have a big picture of the economy crashes and panics are more likely

**case sr130 sr150 sr175 sr200 sr220 sr250 sv185** - Jun 18 2022

web case skid steer training pdf 47465734 pdf case sr130 sr160 sr175 sv185 sr220 sr250 sv250 sv300 teir 4 alpha series skid steer loader and tr320 tv380 tier 4 alpha series compact track loader service manual part number 47465734 english june 2013 replaces part number 84581792 3 342 pages 379 mb 84423866 pdf

[case sr250 manuals manualslib](#) - Oct 03 2023

web case sr250 manuals manuals and user guides for case sr250 we have 1 case sr250 manual available for free pdf download service manual case sr250 service manual 51 pages alpha series skid steer loader alpha series compact track loader brand case category lifting systems size 1 03 mb table of contents introduction 6 table of

[case sr250 sv300 tr320 tv380 operator s manual manuals](#) - Mar 28 2023

web the case sr250 sv300 tr320 tv380 skid steer compact track loaders operator s manual is a comprehensive guide for operating and maintaining your case equipment whether you have the sr250 sv300 tr320 or tv380 model this

[case sr250 skid steer loader operation manual pdf slideshare](#) - May 30 2023

web jan 25 2021 case sr250 skid steer loader operation manual jan 25 2021 0 likes 112 views j jfjkskefksmem follow automotive operation manual case sr250 skid steer loader operation manual 1 of 8 download now more related content similar to case sr250 skid steer loader operation manual 13

**case user manuals download manualslib** - Feb 24 2023

web view download of more than 602 case pdf user manuals service manuals operating guides construction equipment tractor user manuals operating guides specifications sign in upload manuals brands sr250 service manual sv185 service manual sv250 service manual

[case sr220 sr250 sv250 sv300 tier 4a tr320 tv380](#) - Apr 16 2022

web case sr220 sr250 sv250 sv300 tier 4a tr320 tv380 tier 4a skid steer loader service repair manual download wiring diagrams and everything you need to know service repair manual covers contents introduction engine 10 front axle system 25 rear axle system 27 hydrostatic drive 29 brakes and controls 33

**case sv250 manuals manualslib** - Jul 20 2022

web we have 1 case sv250 manual available for free pdf download service manual case sv250 service manual 51 pages alpha series skid steer loader alpha series compact track loader brand case category lifting systems size 1 03 mb table of contents introduction 6 table of contents 6 foreword ecology and the environment 7 safety

[case sr220 sr250 sv250 sv300 skidsteer service manual](#) - Jan 26 2023

web description reviews 0 case sr220 sr250 sv250 sv300 skidsteer manual skidsteer model sr220 sr250 sv250 sv300 publication number 47540695 47674604 english april 2014 may 2014 format pdf case sr220 sr250 sv250 sv300 skidsteer service manual 2091 pages case sr250 sv300 skidsteer service manual 2061

[case sr250 specifications](#) - Feb 12 2022

web make case model sr250 type skid steer loader standard flow 24 gpm high flow 37 gpm pressure 3050 psi hydraulic hp standard flow 42 hp hydraulic hp

**sr250 skid steer loaders case construction equipment** - Jun 30 2023

web discover the main features of skid steer loaders sr250 check the specifications or download all the details

**case sr250 skid steer loader service repair manual** - Aug 01 2023

web oct 13 2017 this is the highly detailed factory service repair manual for the case sr250 skid steer loader this service manual has detailed illustrations as well as step by step instructions it is 100 percents complete and intact they are specifically written for the do it yourself er as well as the experienced mechanic case sr250 skid steer

**sr250 cnh industrial** - Sep 02 2023

web sr250 skid steer loader tier 3 1 of 4 dimensions a overall operating height with foundry excavating bucket short lip 156 3 in 3 97 m with low profile standard lip bucket 160 3 in 4 07 m with low profile extended long lip bucket 165 3 in 4 20 m height to

**case sr250 manuals user guides** - Apr 28 2023

web user manuals guides and specifications for your case sr250 lifting systems database contains 1 case sr250 manuals available for free online viewing or downloading in pdf service manual case sr250 service manual 51 pages

**sr250b skid steer loader case case construction equipment** - Aug 21 2022

web this is the mission of case skid sr250b which features a 1 135 kg operational load capacity it is ideal for breaking hoisting and pushing besides providing more space visibility and comfort for the sr250 operating load 2 500 lb l 1 134 kg gross power 90 hp i 67 kw discover more sr200 operating load 2 000 lb

**case ih schematic manuals specifications and mycnhi** - Dec 25 2022

web find schematics manuals specifications and diagrams for fuse box 2 eh sr175 sr250 sv250 tv380 find genuine oem parts for your needs

**case sr250 sv300 tier 4a skid steer service manual** - May 18 2022

web the sr250 is a versatile workhorse its quick attach system makes it easy to switch between various attachments such as buckets forks and hydraulic breakers this adaptability ensures that it s not just a skid steer loader but a multi functional asset for your construction projects case sr250 sv300 4a skid steer service manual

**case sr250 manuals all things equipment** - Sep 21 2022

web all manuals are brand new and serial number specific to your exact machine case sr250 manuals roll over image to zoom in case sr250 manuals case manual type parts parts service operators parts service operators variant

**case sr250 skid steer loader service repair manual** - Mar 16 2022

web apr 12 2021 sr130 sr150 sr175 sv185 sr200 sr220 sr250 sv250 sv300 alpha series skid steer loader tr270 tr320 tv380 alpha series compact track loader service manual

**case sr250 skid steer loader operator s manual 47571743** - Nov 23 2022

web this 240 page manual contains valuable information such as proper operation and preventative maintenance procedures also included are the lubrication points fluid capacities and minor adjustment information for things like the clutch brakes and carburetor every owner of the case sr250 skid steer loader needs this manual

**sr250 case middle east case construction equipment** - Oct 23 2022

web sr220 sr250 sv250 sv300 spec sheet file size 270 88 kb download specifications performance specs rated operating capacity 50 1135 kg roc with counterweights max digging depth case dna 4448 4385 4750 4666 mm std dipper 590sv max digging depth case dna