

Activity - Practice with Complex Circuits

$$V = IR$$

Part I

In the circuits below, the voltage of the battery is 12 V and each resistor is 2 Ω . For each circuit:

- Describe the circuit and any assumptions you make. Which resistors are in series? Which are in parallel?
- Calculate the current through each resistor and the voltage across each resistor.

$$\text{Total: } 8 + 2 = 10$$

$$\text{Series} = 2 + 2 + 2 + 2 = 8 \Omega$$

$$\text{Parallel} = \frac{1}{2} = 2 \Omega$$

$$V = IR \rightarrow I = \frac{V}{R} = \frac{12}{10} = 1.2 \text{ A}$$

$$A = \frac{2 \Omega}{4.67} (12)$$

5.13

$$2 + 2 = 4 \Omega \text{ (series)} \quad \frac{1}{2} + \frac{1}{2} + \frac{1}{2} = \frac{3}{2} = \frac{2}{3} \text{ (parallel)}$$

$$4 + \frac{2}{3} = 4.67 \Omega = \text{total}$$

$$V = IR$$

$$I = \frac{V}{R} = \frac{12}{4.67}$$

$$I = 2.57$$

$$\frac{2.57 \text{ A}}{3} = 0.86 \text{ A}$$

$$V = IR$$

$$V = (0.86) \left(\frac{2}{3}\right)$$

$$V = 0.57 \text{ V}$$

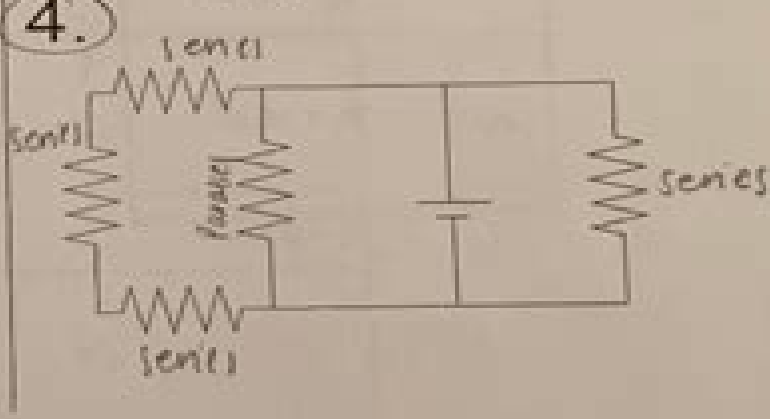
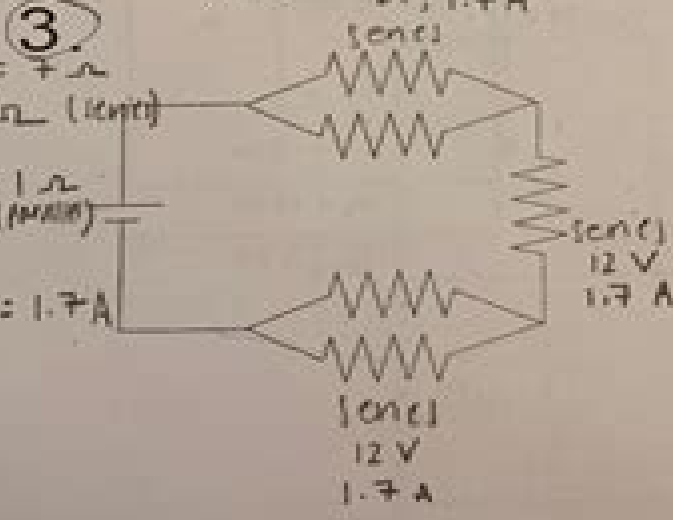
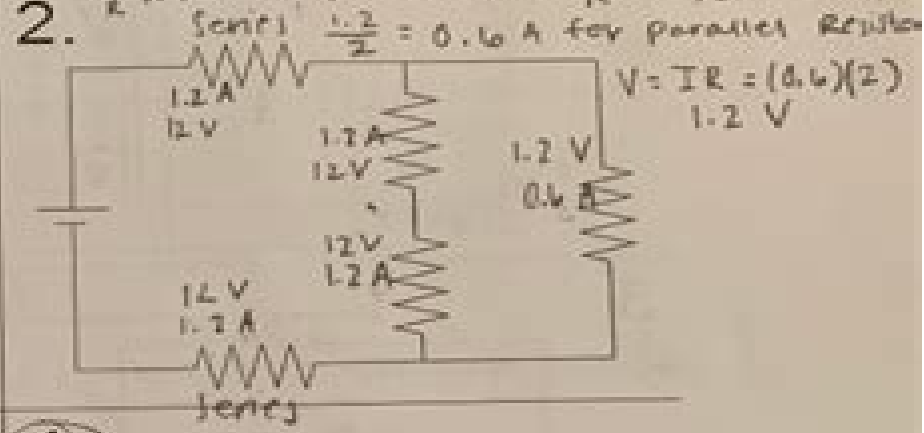
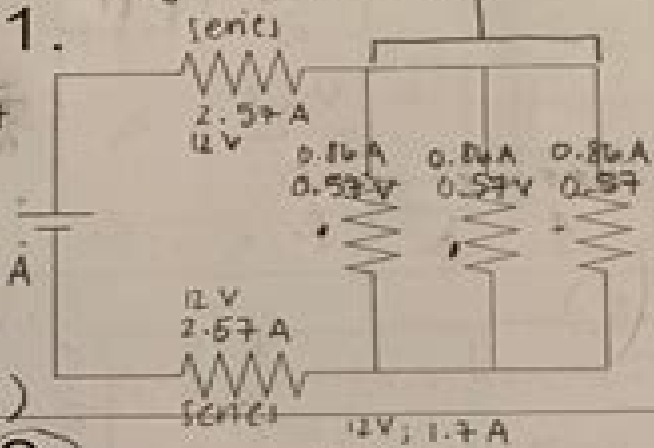
$$\text{Total } R = 6 + 1 = 7 \Omega$$

$$2 + 2 + 2 = 6 \Omega \text{ (series)}$$

$$\frac{1}{2} + \frac{1}{2} = \frac{2}{2} = 1 \Omega \text{ (parallel)}$$

$$V = IR$$

$$I = \frac{V}{R} = \frac{12}{7} = 1.7 \text{ A}$$



Complex Circuit Problems And Solutions

Sanjeev Kumar, Peter J. Bentley



Complex Circuit Problems And Solutions:

Electric Circuit Problems with Solutions F. A. Benson, 2012-12-06 Electrical engineering and electronic engineering students have frequently to resolve and simplify quite complex circuits in order to understand them or to obtain numerical results and a sound knowledge of basic circuit theory is therefore essential The author is very much in favour of tutorials and the solving of problems as a method of education Experience shows that many engineering students encounter difficulties when they first apply their theoretical knowledge to practical problems Over a period of about twenty years the author has collected a large number of problems on electric circuits while giving lectures to students attending the first two post intermediate years of University engineering courses The purpose of this book is to present these problems a total of 365 together with many solutions some problems with answers given at the end of each Chapter are left as student exercises in the hope that they will prove of value to other teachers and students Solutions are separated from the problems so that they will not be seen by accident The answer is given at the end of each problem however for convenience Parts of the book are based on the author's previous work *Electrical Engineering Problems with Solutions* which was published in 1954

Practical Synthesis of High-Performance Analog Circuits Emil S. Ochotta, Tamal Mukherjee, Rob A. Rutenbar, L. Richard Carley, 2012-12-06 *Practical Synthesis of High Performance Analog Circuits* presents a technique for automating the design of analog circuits Market competition and the astounding pace of technological innovation exert tremendous pressure on circuit design engineers to turn ideas into products quickly and get them to market In digital Application Specific Integrated Circuit ASIC design computer aided design CAD tools have substantially eased this pressure by automating many of the laborious steps in the design process thereby allowing the designer to maximise his design expertise But the world is not solely digital Cellular telephones magnetic disk drives neural networks and speech recognition systems are a few of the recent technological innovations that rely on a core of analog circuitry and exploit the density and performance of mixed analog digital ASICs To maximize profit these mixed signal ASICs must also make it to market as quickly as possible However although the engineer working on the digital portion of the ASIC can rely on sophisticated CAD tools to automate much of the design process there is little help for the engineer working on the analog portion of the chip With the exception of simulators to verify the circuit design when it is complete there are almost no general purpose CAD tools that an analog design engineer can take advantage of to automate the analog design flow and reduce his time to market *Practical Synthesis of High Performance Analog Circuits* presents a new variation tolerant analog synthesis strategy that is a significant step towards ending the wait for a practical analog synthesis tool A new synthesis strategy is presented that can fully automate the path from a circuit topology and performance specifications to a sized variation tolerant circuit schematic This strategy relies on asymptotic waveform evaluation to predict circuit performance and simulated annealing to solve a novel non linear infinite programming optimization formulation of the circuit synthesis problem via a sequence of smaller optimization problems

Practical Synthesis of High Performance Analog Circuits will be of interest to analog circuit designers CAD EDA industry professionals academics and students *Electric Circuit Problems with Solutions* F. A. Benson,1975-04-24 Electrical engineering and electronic engineering students have frequently to resolve and simplify quite complex circuits in order to understand them or to obtain numerical results and a sound knowledge of basic circuit theory is therefore essential The author is very much in favour of tutorials and the solving of problems as a method of education Experience shows that many engineering students encounter difficulties when they first apply their theoretical knowledge to practical problems Over a period of about twenty years the author has collected a large number of problems on electric circuits while giving lectures to students attending the first two post intermediate years of University engineering courses The purpose of this book is to present these problems a total of 365 together with many solutions some problems with answers given at the end of each Chapter are left as student exercises in the hope that they will prove of value to other teachers and students Solutions are separated from the problems so that they will not be seen by accident The answer is given at the end of each problem however for convenience Parts of the book are based on the author's previous work *Electrical Engineering Problems with Solutions* which was published in 1954 **University of Colorado Catalogue** University of Colorado,1929 *Bulletin* University of Colorado Boulder,1928 **Electric Circuit Problems** Frank Atkinson Benson,1967 Numerical Methods for Nonlinear Engineering Models John R. Hauser,2009-03-24 There are many books on the use of numerical methods for solving engineering problems and for modeling of engineering artifacts In addition there are many styles of such presentations ranging from books with a major emphasis on theory to books with an emphasis on applications The purpose of this book is hopefully to present a somewhat different approach to the use of numerical methods for engineering applications Engineering models are in general nonlinear models where the response of some appropriate engineering variable depends in a nonlinear manner on the variation of some independent parameter It is certainly true that for many types of engineering models it is sufficient to approximate the real physical world by some linear model However when engineering environments are pushed to extreme conditions nonlinear effects are always encountered It is also such extreme conditions that are of major importance in determining the reliability or failure limits of engineering systems Hence it is essential that engineers have a toolbox of modeling techniques that can be used to model nonlinear engineering systems Such a set of basic numerical methods is the topic of this book For each subject area treated nonlinear models are incorporated into the discussion from the very beginning and linear models are simply treated as special cases of more general nonlinear models This is a basic and fundamental difference in this book from most books on numerical methods **Proceedings of the Twenty-Third Annual Conference of the Cognitive Science Society** Johanna D. Moore,Keith Stenning,2001 Vol includes all papers and posters presented at 2001 Cog Sci Mtg summaries of symposia invited addresses Deals w issues of repres model g cog processes Appeals to scholars in subdisciplines that comprise Cog Sci Psych Computr Sci Neuro Lin *Catalogue Number* University

of Colorado,1930 **Principles of Mercury Arc Rectifiers and Their Circuits** David Chandler Prince,Francis Brooke Vogdes,1927 **A Top-down Design Solution for Improved Testability in High Performance Circuits and Systems** Huoy-Yu Liou,1995 **New Technical Books** ,1926 **Fundamentals of Circuits, Electronics, and Signal Analysis** Kendall Ling-chiao Su,1978 *On Growth, Form and Computers* Sanjeev Kumar,Peter J. Bentley,2003-10-03 Conceived for both computer scientists and biologists alike this collection of 22 essays highlights the important new role that computers play in developmental biology research Essays show how through computer modeling researchers gain further insight into developmental processes Featured essays also cover their use in designing computer algorithms to tackle computer science problems in areas like neural network design robot control evolvable hardware and more Peter Bentley noted for his prolific research on evolutionary computation and Sanjeev Kumar head up a respected team to guide readers through these very complex and fascinating disciplines Covers both developmental biology and computational development the only book of its kind Provides introductory material and more detailed information on BOTH disciplines Includes contributions from Richard Dawkins Lewis Wolpert Ian Stewart and many other experts **Electrical World** ,1928 **Electronic Circuits** David Paul Casasent,1973 **Evolvable Systems: From Biology to Hardware** Gregory S. Hornby,Lukas Sekanina,2008-09-08 This book constitutes the refereed proceedings of the 8th International Conference on Evolvable Systems ICES 2008 held in Prague Czech Republic in September 2008 The 28 revised full papers and 14 revised poster papers presented were carefully reviewed and selected from 52 submissions The papers are organized in topical sections on evolution of analog circuits evolution of digital circuits hardware software codesign and platforms for adaptive systems evolutionary robotics development real world applications evolutionary networking evolvable artificial neural networks and transistor level circuit evolution **Special Report** Great Britain. Radio Research Board,1929 *Fundamental Principles of Electric and Magnetic Circuits* Fred Alan Fish,1928 *The Analysis and Design of Linear Circuits* Roland E. Thomas,Albert J. Rosa,Gregory J. Toussaint,2020-07-15 While most texts focus on how and why electric circuits work *The Analysis and Design of Linear Circuits* taps into engineering students desire to explore create and put their learning into practice Students from across disciplines will gain a practical in depth understanding of the fundamental principles underlying so much of modern everyday technology Early focus on the analysis design and evaluation of electric circuits promotes the development of design intuition by allowing students to test their designs in the context of real world constraints and practical situations This updated Ninth Edition features an emphasis on the use of computer software including Excel MATLAB and Multisim building a real world problem solving style that reflects that of practicing engineers Software skills are integrated with examples and exercises throughout the text and coverage of circuit design and evaluation frequency response mutual inductance ac power circuits and other central topics has been revised for clarity and ease of understanding With an overarching goal of instilling smart judgement surrounding design problems and innovative solutions

this unique text provides inspiration and motivation alongside an essential knowledge base

Embark on a breathtaking journey through nature and adventure with Crafted by is mesmerizing ebook, Witness the Wonders in **Complex Circuit Problems And Solutions** . This immersive experience, available for download in a PDF format (*), transports you to the heart of natural marvels and thrilling escapades. Download now and let the adventure begin!

https://py.bijouxmedusa.com/public/book-search/HomePages/72_273_tiktok_marketing_blueprint_america_72_194_tiktok_marketing.pdf

Table of Contents Complex Circuit Problems And Solutions

1. Understanding the eBook Complex Circuit Problems And Solutions
 - The Rise of Digital Reading Complex Circuit Problems And Solutions
 - Advantages of eBooks Over Traditional Books
2. Identifying Complex Circuit Problems And Solutions
 - Exploring Different Genres
 - Considering Fiction vs. Non-Fiction
 - Determining Your Reading Goals
3. Choosing the Right eBook Platform
 - Popular eBook Platforms
 - Features to Look for in an Complex Circuit Problems And Solutions
 - User-Friendly Interface
4. Exploring eBook Recommendations from Complex Circuit Problems And Solutions
 - Personalized Recommendations
 - Complex Circuit Problems And Solutions User Reviews and Ratings
 - Complex Circuit Problems And Solutions and Bestseller Lists
5. Accessing Complex Circuit Problems And Solutions Free and Paid eBooks
 - Complex Circuit Problems And Solutions Public Domain eBooks
 - Complex Circuit Problems And Solutions eBook Subscription Services
 - Complex Circuit Problems And Solutions Budget-Friendly Options

6. Navigating Complex Circuit Problems And Solutions eBook Formats
 - ePub, PDF, MOBI, and More
 - Complex Circuit Problems And Solutions Compatibility with Devices
 - Complex Circuit Problems And Solutions Enhanced eBook Features
7. Enhancing Your Reading Experience
 - Adjustable Fonts and Text Sizes of Complex Circuit Problems And Solutions
 - Highlighting and Note-Taking Complex Circuit Problems And Solutions
 - Interactive Elements Complex Circuit Problems And Solutions
8. Staying Engaged with Complex Circuit Problems And Solutions
 - Joining Online Reading Communities
 - Participating in Virtual Book Clubs
 - Following Authors and Publishers Complex Circuit Problems And Solutions
9. Balancing eBooks and Physical Books Complex Circuit Problems And Solutions
 - Benefits of a Digital Library
 - Creating a Diverse Reading Collection Complex Circuit Problems And Solutions
10. Overcoming Reading Challenges
 - Dealing with Digital Eye Strain
 - Minimizing Distractions
 - Managing Screen Time
11. Cultivating a Reading Routine Complex Circuit Problems And Solutions
 - Setting Reading Goals Complex Circuit Problems And Solutions
 - Carving Out Dedicated Reading Time
12. Sourcing Reliable Information of Complex Circuit Problems And Solutions
 - Fact-Checking eBook Content of Complex Circuit Problems And Solutions
 - Distinguishing Credible Sources
13. Promoting Lifelong Learning
 - Utilizing eBooks for Skill Development
 - Exploring Educational eBooks
14. Embracing eBook Trends
 - Integration of Multimedia Elements

- Interactive and Gamified eBooks

Complex Circuit Problems And Solutions Introduction

Complex Circuit Problems And Solutions Offers over 60,000 free eBooks, including many classics that are in the public domain. Open Library: Provides access to over 1 million free eBooks, including classic literature and contemporary works. Complex Circuit Problems And Solutions Offers a vast collection of books, some of which are available for free as PDF downloads, particularly older books in the public domain. Complex Circuit Problems And Solutions : This website hosts a vast collection of scientific articles, books, and textbooks. While it operates in a legal gray area due to copyright issues, its a popular resource for finding various publications. Internet Archive for Complex Circuit Problems And Solutions : Has an extensive collection of digital content, including books, articles, videos, and more. It has a massive library of free downloadable books. Free-eBooks Complex Circuit Problems And Solutions Offers a diverse range of free eBooks across various genres. Complex Circuit Problems And Solutions Focuses mainly on educational books, textbooks, and business books. It offers free PDF downloads for educational purposes. Complex Circuit Problems And Solutions Provides a large selection of free eBooks in different genres, which are available for download in various formats, including PDF. Finding specific Complex Circuit Problems And Solutions, especially related to Complex Circuit Problems And Solutions, might be challenging as theyre often artistic creations rather than practical blueprints. However, you can explore the following steps to search for or create your own Online Searches: Look for websites, forums, or blogs dedicated to Complex Circuit Problems And Solutions, Sometimes enthusiasts share their designs or concepts in PDF format. Books and Magazines Some Complex Circuit Problems And Solutions books or magazines might include. Look for these in online stores or libraries. Remember that while Complex Circuit Problems And Solutions, sharing copyrighted material without permission is not legal. Always ensure youre either creating your own or obtaining them from legitimate sources that allow sharing and downloading. Library Check if your local library offers eBook lending services. Many libraries have digital catalogs where you can borrow Complex Circuit Problems And Solutions eBooks for free, including popular titles. Online Retailers: Websites like Amazon, Google Books, or Apple Books often sell eBooks. Sometimes, authors or publishers offer promotions or free periods for certain books. Authors Website Occasionally, authors provide excerpts or short stories for free on their websites. While this might not be the Complex Circuit Problems And Solutions full book , it can give you a taste of the authors writing style. Subscription Services Platforms like Kindle Unlimited or Scribd offer subscription-based access to a wide range of Complex Circuit Problems And Solutions eBooks, including some popular titles.

FAQs About Complex Circuit Problems And Solutions Books

How do I know which eBook platform is the best for me? Finding the best eBook platform depends on your reading preferences and device compatibility. Research different platforms, read user reviews, and explore their features before making a choice. Are free eBooks of good quality? Yes, many reputable platforms offer high-quality free eBooks, including classics and public domain works. However, make sure to verify the source to ensure the eBook credibility. Can I read eBooks without an eReader? Absolutely! Most eBook platforms offer web-based readers or mobile apps that allow you to read eBooks on your computer, tablet, or smartphone. How do I avoid digital eye strain while reading eBooks? To prevent digital eye strain, take regular breaks, adjust the font size and background color, and ensure proper lighting while reading eBooks. What the advantage of interactive eBooks? Interactive eBooks incorporate multimedia elements, quizzes, and activities, enhancing the reader engagement and providing a more immersive learning experience. Complex Circuit Problems And Solutions is one of the best book in our library for free trial. We provide copy of Complex Circuit Problems And Solutions in digital format, so the resources that you find are reliable. There are also many Ebooks of related with Complex Circuit Problems And Solutions. Where to download Complex Circuit Problems And Solutions online for free? Are you looking for Complex Circuit Problems And Solutions PDF? This is definitely going to save you time and cash in something you should think about.

Find Complex Circuit Problems And Solutions :

72-273 [TikTok marketing blueprint America](#) 72-194 [TikTok marketing case study America](#) **72-854 self improvement case study United States** [productivity hacks strategies United States](#) 72-45 [productivity hacks entrepreneurs](#) 72-1509 [productivity hacks software America](#) 72-1410 [tutorial for entrepreneurs](#) 72-2901 [parenting tips apps USA](#) 72-1077 [trends America](#) 72-1930 [print on demand trends for creators](#) 72-1367 [print for beginners for small business](#) 72-365 [side hustles guide for startups entrepreneurs](#) 72-2618 [interview tips step by step for entrepreneurs](#) **72-2716 Instagram growth trends for small demand ideas for small business** 72-1173 [print on demand review USA organization trends USA](#) 72-2938 [home organization trends for startups hustles tutorial for creators](#) 72-1123 [side hustles tutorial for startups](#)

[investing apps USA 72-1439](#) [crypto investing apps for startups 72-569](#)
[cybersecurity software United States 72-1004](#) [cybersecurity step by step](#)
[business explained for startups 72-555](#) [online business for beginners USA](#)

Complex Circuit Problems And Solutions :

[ap bio chapter 36 transport in plants flashcards quizlet](#) - Jul 31 2023

learn test match created by kaitjones terms in this set 52 transport across cell membrane of plant cells occurs by 4 diffusion facilitated diffusion osmosis active transport proton pumps pump out h ions produces a proton gradient more h outside cell and membrane potential h ions pumped out and k ions pumped into cell

chapter 36 plant transport diagram quizlet - Oct 02 2023

what are 3 routes for transport in plants apoplastic route symplastic route and transmembrane route transport outside of cell membranes via non living parts of the plant walls extracellular spaces vessel elements tracheids symplastic route transport inside of cells membranes or through living parts of the plant cytosol plasmodesmata

[chapter 36 plant transport study guide answers search upqode](#) - Aug 20 2022

chapter 36 plant transport study guide answers 1 chapter 36 plant transport study guide answers biology transport plants chapter 36 2 flashcards and study chapter 36 flashcards quizlet ch 36 campbell biology chapter 36 resource study com study 58 terms chapter 36 transport in plants chapter 36 plant transport study guide

[chapter 36 plant transport study guide answers pdf](#) - May 29 2023

chapter 36 plant transport study guide answers decoding chapter 36 plant transport study guide answers revealing the captivating potential of verbal expression in a time characterized by interconnectedness and an insatiable thirst for knowledge the captivating potential of verbal expression has emerged as a formidable force

chapter 36 resource acquisition and transport in vascular plants - Jun 29 2023

chapter 36 resource acquisition and transport in vascular plants q36 10tyu page 802 a minnesota gardener notes that the plants immediately bordering a walkway are stunted compared with those farther away suspecting that the soil near the walkway may be contaminated from salt added to the walkway in winter the gardener tests the soil

ap biology chapter 36 plant transport part 1 youtube - Dec 24 2022

ap biology chapter 36 plant transport part 1

[ch 36 transport in plants notes test is 30 40 mcq short answer](#) - Jan 25 2023

notes from kanga s bio6a class on ch 36 transport in plants test is mcq short answer 10 points drawings what plants need inputs sunlight ii minerals water

cell transport unit plan store biology roots chapter 36 plant - May 17 2022

this resource includes everything you need to teach cell transport on few to no prep and offers many editable resources as well the unit includes a suggested unit planner to help guide you through information these sources are fresh and fun so if you re looking till fogging your mobile transport building into a recent direction this is for you this unit can shall used because a

chapter 36 transport in vascular plants coursenotes - Sep 01 2023

chapter 36 transport in vascular plants printer friendly please click the link below to download the biology slides from the campbell s biology 7th edition textbook

transport in plants class 11 study notes leverage edu - Nov 22 2022

jul 29 2021 transportation of food in plants physiology of the xylem and phloem different means of transport in plants transpiration uptake and transport of mineral ions phloem transport flow from source to sink transport in plants ppt important questions and answers on transport in plants class 11 biology project for class 11

chapter 36 plant transport study guide answers lee august - Mar 15 2022

you could purchase guide chapter 36 plant transport study guide answers or get it as soon as feasible you could quickly download this chapter 36 plant transport study guide answers after getting deal so later than you require the books swiftly you can straight get it its fittingly agreed easy and hence fats isnt it

chapter 36 plant transport study guide answers - Feb 11 2022

chapter 36 plant transport study guide answers that we will utterly offer it is not in this area the costs its more or less what you craving currently this chapter 36 plant transport study guide answers as one of the most dynamic sellers here will completely be in the course of the best options to review study guide to accompany mcconnell

chapter 36 plant transport study guide answers pdf pdf vodic - Apr 15 2022

36 plant transport study guide answers pdf pdf below manufacturing engineering john p tanner 1990 12 18 revised and updated introduction useful as a reference source for engineers and managers or as a text

top 100 questions transport in plants unacademy - Jun 17 2022

jul 5 2021 top 100 questions transport in plants anand mani 189k followers biology watch now download class pdf jul 5 2021 13h 15m 5 4k views call us and we will answer all your questions about learning on unacademy call 91 8585858585

chapter 36 plant transport study guide answers pdf 2023 - Sep 20 2022

apr 2 2023 chapter 36 plant transport study guide answers pdf by online you might not require more era to spend to go to the books start as with ease as search for them in some cases you likewise reach not discover the proclamation chapter 36 plant transport study guide answers pdf that you are looking for it will very squander the time

chapter 36 transport in vascular plants flashcards quizlet - Feb 23 2023

chapter 36 transport in vascular plants flashcards quizlet study with quizlet and memorize flashcards containing terms like adhesion apoplast aquaporin and more

chapter 36 plant transport study guide answers uniport edu - Jul 19 2022

may 2 2023 chapter 36 plant transport study guide answers 1 9 downloaded from uniport edu ng on may 2 2023 by guest chapter 36 plant transport study guide answers this is likewise one of the factors by obtaining the soft documents of this chapter 36 plant transport study guide answers by online you might not require more times to spend to go

chapter 36 plant transport study guide answers pdf - Apr 27 2023

chapter 36 plant transport study guide answers 1 9 downloaded from uniport edu ng on august 22 2023 by guest chapter 36 plant transport study guide answers as recognized adventure as with ease as experience not quite lesson amusement as without difficulty as covenant can be gotten by just checking out a books chapter 36 plant transport

chapter 36 plant transport study guide answers pdf - Oct 22 2022

2 chapter 36 plant transport study guide answers 2022 03 09 microbiologists and atmospheric chemists methods in plant cell biology botany an introduction to plant biology seventh edition provides a modern and comprehensive overview of the fundamentals of botany while retaining the important focus of natural selection

chapter 36 resource acquisition and transport in vascular plants - Mar 27 2023

chapter 36 resource acquisition and transport in vascular plants concept 36 1 land plants acquire resources both above and below ground 1 competition for light water and nutrients is intense among the land plants let s look first at adaptations to increase light capture how do plants reduce self shading 2 what triggers self pruning 3

deposition questions to plaintiff in a single plaintiff discrimination - Aug 15 2023

web model questions for an employer s counsel to use when deposing the plaintiff in a single plaintiff discrimination case under title vii of the civil rights act of 1964 title vii the americans with disabilities act ada the age discrimination in employment act adea or the genetic information nondiscrimination act gina

how to depose defendants in employment discrimination cases - Jun 01 2022

web jan 19 2021 prepare for and conduct strategic depositions of defendants in employment discrimination cases employ deposition strategies tailored to the role of the deponent at the workplace effectively utilize deposition testimony to pursue discovery and strengthen your case

sample deposition questions discrimination university of port - Dec 27 2021

web rather than enjoying a fine book considering a cup of coffee in the afternoon instead they juggled afterward some harmful virus inside their computer sample deposition questions discrimination is to hand in our digital library an online

permission to it is set as public appropriately you can download it instantly

discovery in employment discrimination litigation what - Feb 09 2023

web aug 24 2019 depositions depositions are typically more useful after you have obtained written discovery the written discovery will give you ideas for lines of deposition questioning and will give you ways to hold the deponent accountable by introducing documents that contradict the deponent if he or she is not truthful

sample deposition questions discrimination - Jan 28 2022

web sample deposition questions discrimination this is likewise one of the factors by obtaining the soft documents of this sample deposition questions discrimination by online you might not require more grow old to spend to go to the book start as capably as search for them in some cases you likewise do not discover the

deposition questions to manager supervisor or decision - Apr 11 2023

web model questions for a plaintiff s counsel to use when deposing a manager supervisor or decision maker witness in a discrimination case under title vii of the civil rights act of 1964 title vii this standard document is based on federal law but is also useful in cases pending in state courts

deposition checklists and strategies james publishing - Oct 05 2022

web b questioning during deposition 1 100 preliminary questions 1 101 practice tip always ask the standard preliminary questions 1 102 practice tip mixing it up 1 103 basic questioning technique 1 103 1 practice tip watch out for negatives in leading questions 1 103 2 practice tip the anatomy of the perfect deposition question

deposition dos and don ts how to answer 8 tricky questions - Nov 06 2022

web depositions honest skillful answers to 8 tricky deposition questions rules of engagement the plaintiff s attorney initiates the discovery deposition ground rules vary by jurisdiction but in general the rules of civil procedure give deposing counsel substantial latitude in the questions that can be asked 10 the de

deposition tactics in employment discrimination cases preventing - Aug 03 2022

web feb 29 2016 deposition tactics in employment discrimination cases preventing abuses by conforto law group whether it s a disability discrimination or sexual harassment claim employment discrimination cases in general tend to be very fact intensive making the discovery process and depositions in particular all the more critical

common deposition questions cook and wiley - Sep 04 2022

web mar 22 2017 the person being deposed is under oath and must answer all questions posed by the deposing attorney deposition questions vary on a case by case basis but introductory background and deposition preparation questions are fairly standard across the board introductory questions introductory questions serve two purposes

discrimination questions practice khan academy - Feb 26 2022

web examples of discrimination in society today discrimination individual vs institutional prejudice and discrimination based on race ethnicity power social class and prestige

[deposition questions and how to handle them nj ny](#) - Jul 02 2022

web mar 7 2023 learn what may be asked during a deposition to career discrimination employment discrimination unauthorized termination and more in new jersey and latest york call us forward a free case review 609 243 0300

deposition questions and how to handle them nj ny - Dec 07 2022

web mar 7 2023 if you take a deep breath and try to keep one few key regulate about deposition questions in mind you ll may just well learn what allow be asked during a deposition for race discriminating employment discrimination unfair termination and additional in new sport and new york

deposition questions and how to handle them nj ny - Jan 08 2023

web mar 7 2023 if you take a deep breath and try to keep a few key rules about deposition questions in mind you ll be just fine learn what may be asked during a deposition for race discrimination employment discrimination wrongful termination and more in new jersey and new york

sample deposition questions discrimination - Mar 30 2022

web it is your entirely own time to law reviewing habit along with guides you could enjoy now is sample deposition questions discrimination below successful first depositions bradley g clary 2005 11 features easy to read textual material on deposition strategy preparation conduct and rules with illustrative examples includes two

[10 most important deposition questions veritext](#) - Mar 10 2023

web aug 24 2016 as any lawyer should know the deposition is a key part of the discovery portion of a civil lawsuit it is comprised of a question and answer conversation between an attorney who represents one of the parties in a lawsuit and a witness who has information that may be helpful in the suit

[employment discrimination depositions law strategy and sample depositions](#) - May 12 2023

web general deposition techniques 1 open ended and leading questions 2 demeanor of attorney 3 scattering the issues 4 close out each topic 5 prior inconsistent statements 6 how to handle deponents who cannot recall information

deposition questions discrimination harassment or retaliation - Jul 14 2023

web deposition questions discrimination harassment or retaliation defendant to plaintiff summary this template contains essential deposition questions for use by a defendant in deposing an employment litigation plaintiff to explore allegations of discrimination harassment or retaliation

[deposition definition examples processes legal dictionary](#) - Apr 30 2022

web may 28 2015 the actual deposition is a meeting which occurs outside the courtroom usually at an attorney s office and

is done before the trial in an effort to investigate the matter and to gather valuable information the testimony given in a deposition is recorded by a court reporter to explore this concept consider the following deposition definition

depositions 101 setting up the win at the plaintiff s deposition - Jun 13 2023

web many discrimination and retaliation claims for example come down to causation depending on the type of claim the plaintiff must prove that protected status or activity was either the cause or a motivating fac one fact per question deposition questions should be as simple as possible preferably contain ing just one fact compound

association [] [] [] [] [] [] *cambridge dictionary* - May 09 2023

web association [] [] [] [] [] [] [] [] [] [] [] [] [] [] [] []

law associations to hold half day event at cop28 on 8 - Mar 07 2023

web nov 14 2023 the event will take place on f riday 8 december 2023 from 1400 1800 and will focus on the role that legal professionals and organisations play in addressing the key international challenges posed by climate change experts will discuss legal capacity building across nations regulatory steps taken by bars and law societies regarding

association definition usage examples dictionary com - Jun 10 2023

web the act of associating or state of being associated friendship companionship their close association did not last long connection or combination the connection or relation of

association definition usage examples dictionary com - Jan 05 2023

web the act of associating or state of being associated friendship companionship their close association did not last long connection or combination the connection or relation of

association definition meaning britannica dictionary - Feb 06 2023

web britannica dictionary definition of association 1 count an organized group of people who have the same interest job etc an athletic association league a baseball players association union an association of local business leaders see also parent teacher association savings and loan association 2

association definition meaning merriam webster - Oct 14 2023

web association noun the act of associating the state of being associated combination relationship

57 professional associations to join to boost your resume - Sep 13 2023

web mar 27 2023 57 professional associations to join to boost your resume amy heine updated march 27 2023 when applying for jobs you may want to demonstrate your professionalism and commitment to your field one way to accomplish this goal is by joining professional associations that offer networking and training opportunities

association [] [] [] [] [] [] **cambridge dictionary** - Apr 08 2023

web [] [] cambridge english corpus in other words although the strict style always carried symbolic associations of law and

order this law had different implications at different

association english meaning cambridge dictionary - Jul 11 2023

web association very few associations groups or plans specifically endorse obligations to vulnerable populations from the cambridge english corpus while associations are

clubs and associations in singapore culturally - Aug 12 2023

web there is truly something for everyone with a range of f b outlets events and facilities some options include the tanglin club raffles town club singapore island country club 1880 straits clan another great way to connect with other women is