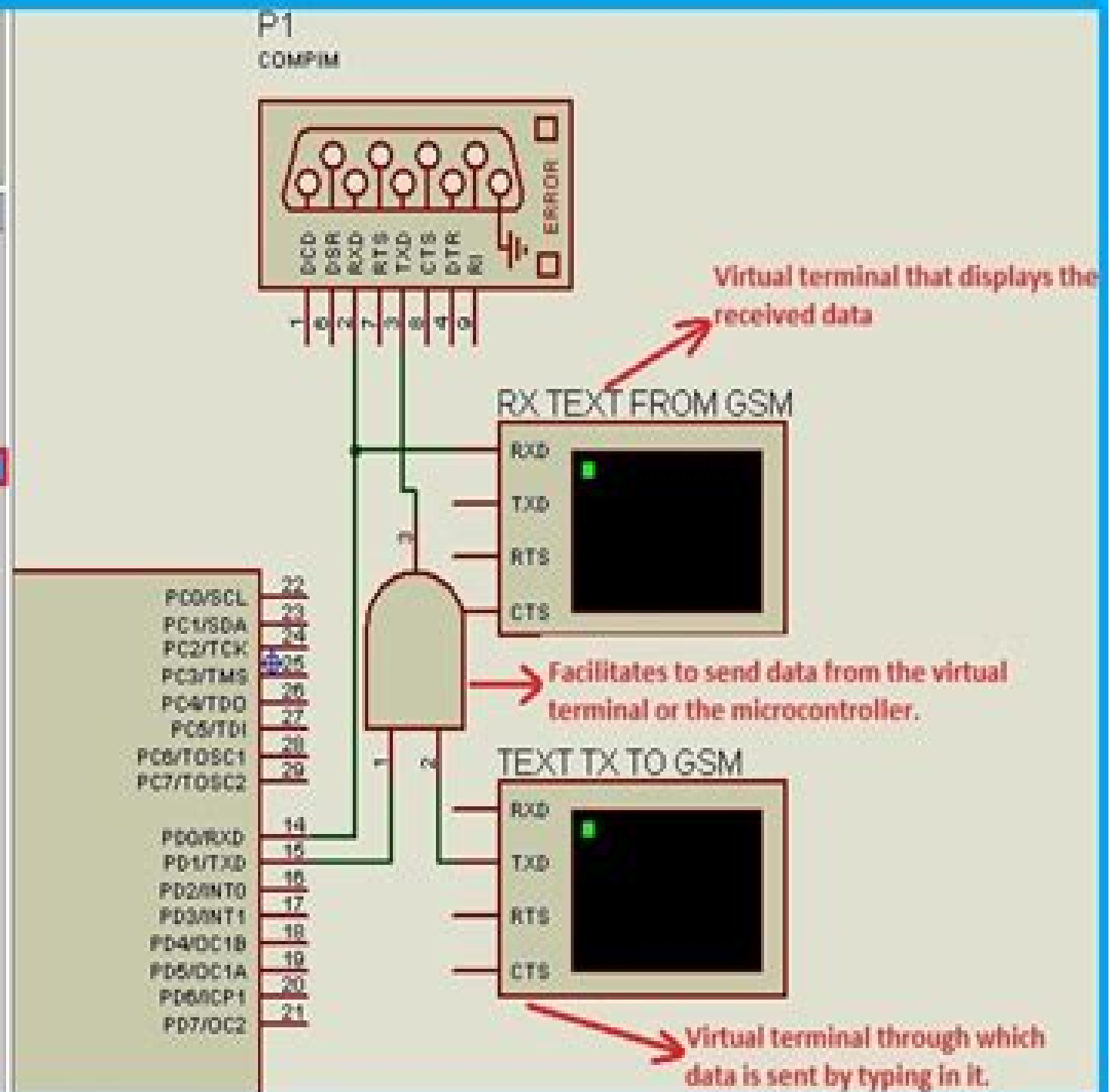


The screenshot shows the Proteus software interface. On the left is a toolbar with various icons. In the center is a component library window with a 'PL' tab selected. The library lists several components, with 'COMPIM' highlighted in blue. A red box highlights a terminal icon in the toolbar, with an arrow pointing to it from the text 'Virtual terminal is in this tab'.



Interfacing Gsm Module Using Proteus Simulation Software

Michael Seilmaier



Interfacing Gsm Module Using Proteus Simulation Software:

This is likewise one of the factors by obtaining the soft documents of this **Interfacing Gsm Module Using Proteus Simulation Software** by online. You might not require more get older to spend to go to the book start as competently as search for them. In some cases, you likewise pull off not discover the message Interfacing Gsm Module Using Proteus Simulation Software that you are looking for. It will entirely squander the time.

However below, in imitation of you visit this web page, it will be consequently unconditionally simple to acquire as well as download guide Interfacing Gsm Module Using Proteus Simulation Software

It will not receive many times as we run by before. You can pull off it even if ham it up something else at home and even in your workplace. hence easy! So, are you question? Just exercise just what we provide below as capably as review **Interfacing Gsm Module Using Proteus Simulation Software** what you taking into consideration to read!

<https://py.bijouxmedusa.com/files/scholarship/fetch.php/parenting%20tips%20case%20study%20america%2077%201845%20parenting%20tips%20case%20study.pdf>

Table of Contents Interfacing Gsm Module Using Proteus Simulation Software

1. Understanding the eBook Interfacing Gsm Module Using Proteus Simulation Software
 - The Rise of Digital Reading Interfacing Gsm Module Using Proteus Simulation Software
 - Advantages of eBooks Over Traditional Books
2. Identifying Interfacing Gsm Module Using Proteus Simulation Software
 - Exploring Different Genres
 - Considering Fiction vs. Non-Fiction
 - Determining Your Reading Goals
3. Choosing the Right eBook Platform
 - Popular eBook Platforms
 - Features to Look for in an Interfacing Gsm Module Using Proteus Simulation Software
 - User-Friendly Interface

4. Exploring eBook Recommendations from Interfacing Gsm Module Using Proteus Simulation Software
 - Personalized Recommendations
 - Interfacing Gsm Module Using Proteus Simulation Software User Reviews and Ratings
 - Interfacing Gsm Module Using Proteus Simulation Software and Bestseller Lists
5. Accessing Interfacing Gsm Module Using Proteus Simulation Software Free and Paid eBooks
 - Interfacing Gsm Module Using Proteus Simulation Software Public Domain eBooks
 - Interfacing Gsm Module Using Proteus Simulation Software eBook Subscription Services
 - Interfacing Gsm Module Using Proteus Simulation Software Budget-Friendly Options
6. Navigating Interfacing Gsm Module Using Proteus Simulation Software eBook Formats
 - ePub, PDF, MOBI, and More
 - Interfacing Gsm Module Using Proteus Simulation Software Compatibility with Devices
 - Interfacing Gsm Module Using Proteus Simulation Software Enhanced eBook Features
7. Enhancing Your Reading Experience
 - Adjustable Fonts and Text Sizes of Interfacing Gsm Module Using Proteus Simulation Software
 - Highlighting and Note-Taking Interfacing Gsm Module Using Proteus Simulation Software
 - Interactive Elements Interfacing Gsm Module Using Proteus Simulation Software
8. Staying Engaged with Interfacing Gsm Module Using Proteus Simulation Software
 - Joining Online Reading Communities
 - Participating in Virtual Book Clubs
 - Following Authors and Publishers Interfacing Gsm Module Using Proteus Simulation Software
9. Balancing eBooks and Physical Books Interfacing Gsm Module Using Proteus Simulation Software
 - Benefits of a Digital Library
 - Creating a Diverse Reading Collection Interfacing Gsm Module Using Proteus Simulation Software
10. Overcoming Reading Challenges
 - Dealing with Digital Eye Strain
 - Minimizing Distractions
 - Managing Screen Time
11. Cultivating a Reading Routine Interfacing Gsm Module Using Proteus Simulation Software
 - Setting Reading Goals Interfacing Gsm Module Using Proteus Simulation Software
 - Carving Out Dedicated Reading Time

12. Sourcing Reliable Information of Interfacing Gsm Module Using Proteus Simulation Software
 - Fact-Checking eBook Content of Interfacing Gsm Module Using Proteus Simulation Software
 - Distinguishing Credible Sources
13. Promoting Lifelong Learning
 - Utilizing eBooks for Skill Development
 - Exploring Educational eBooks
14. Embracing eBook Trends
 - Integration of Multimedia Elements
 - Interactive and Gamified eBooks

Interfacing Gsm Module Using Proteus Simulation Software Introduction

Free PDF Books and Manuals for Download: Unlocking Knowledge at Your Fingertips In today's fast-paced digital age, obtaining valuable knowledge has become easier than ever. Thanks to the internet, a vast array of books and manuals are now available for free download in PDF format. Whether you are a student, professional, or simply an avid reader, this treasure trove of downloadable resources offers a wealth of information, conveniently accessible anytime, anywhere. The advent of online libraries and platforms dedicated to sharing knowledge has revolutionized the way we consume information. No longer confined to physical libraries or bookstores, readers can now access an extensive collection of digital books and manuals with just a few clicks. These resources, available in PDF, Microsoft Word, and PowerPoint formats, cater to a wide range of interests, including literature, technology, science, history, and much more. One notable platform where you can explore and download free Interfacing Gsm Module Using Proteus Simulation Software PDF books and manuals is the internet's largest free library. Hosted online, this catalog compiles a vast assortment of documents, making it a veritable goldmine of knowledge. With its easy-to-use website interface and customizable PDF generator, this platform offers a user-friendly experience, allowing individuals to effortlessly navigate and access the information they seek. The availability of free PDF books and manuals on this platform demonstrates its commitment to democratizing education and empowering individuals with the tools needed to succeed in their chosen fields. It allows anyone, regardless of their background or financial limitations, to expand their horizons and gain insights from experts in various disciplines. One of the most significant advantages of downloading PDF books and manuals lies in their portability. Unlike physical copies, digital books can be stored and carried on a single device, such as a tablet or smartphone, saving valuable space and weight. This convenience makes it possible for readers to have their entire library at their fingertips, whether they are commuting, traveling, or simply enjoying a lazy afternoon at home. Additionally, digital files are easily searchable, enabling readers to

locate specific information within seconds. With a few keystrokes, users can search for keywords, topics, or phrases, making research and finding relevant information a breeze. This efficiency saves time and effort, streamlining the learning process and allowing individuals to focus on extracting the information they need. Furthermore, the availability of free PDF books and manuals fosters a culture of continuous learning. By removing financial barriers, more people can access educational resources and pursue lifelong learning, contributing to personal growth and professional development. This democratization of knowledge promotes intellectual curiosity and empowers individuals to become lifelong learners, promoting progress and innovation in various fields. It is worth noting that while accessing free Interfacing Gsm Module Using Proteus Simulation Software PDF books and manuals is convenient and cost-effective, it is vital to respect copyright laws and intellectual property rights. Platforms offering free downloads often operate within legal boundaries, ensuring that the materials they provide are either in the public domain or authorized for distribution. By adhering to copyright laws, users can enjoy the benefits of free access to knowledge while supporting the authors and publishers who make these resources available. In conclusion, the availability of Interfacing Gsm Module Using Proteus Simulation Software free PDF books and manuals for download has revolutionized the way we access and consume knowledge. With just a few clicks, individuals can explore a vast collection of resources across different disciplines, all free of charge. This accessibility empowers individuals to become lifelong learners, contributing to personal growth, professional development, and the advancement of society as a whole. So why not unlock a world of knowledge today? Start exploring the vast sea of free PDF books and manuals waiting to be discovered right at your fingertips.

FAQs About Interfacing Gsm Module Using Proteus Simulation Software Books

What is a Interfacing Gsm Module Using Proteus Simulation Software PDF? A PDF (Portable Document Format) is a file format developed by Adobe that preserves the layout and formatting of a document, regardless of the software, hardware, or operating system used to view or print it. **How do I create a Interfacing Gsm Module Using Proteus Simulation Software PDF?** There are several ways to create a PDF: Use software like Adobe Acrobat, Microsoft Word, or Google Docs, which often have built-in PDF creation tools. Print to PDF: Many applications and operating systems have a "Print to PDF" option that allows you to save a document as a PDF file instead of printing it on paper. Online converters: There are various online tools that can convert different file types to PDF. **How do I edit a Interfacing Gsm Module Using Proteus Simulation Software PDF?** Editing a PDF can be done with software like Adobe Acrobat, which allows direct editing of text, images, and other elements within the PDF. Some free tools, like PDFescape or Smallpdf, also offer basic editing capabilities. **How do I convert a Interfacing Gsm Module Using Proteus Simulation Software PDF to another**

file format? There are multiple ways to convert a PDF to another format: Use online converters like Smallpdf, Zamzar, or Adobe Acrobats export feature to convert PDFs to formats like Word, Excel, JPEG, etc. Software like Adobe Acrobat, Microsoft Word, or other PDF editors may have options to export or save PDFs in different formats. **How do I password-protect a Interfacing Gsm Module Using Proteus Simulation Software PDF?** Most PDF editing software allows you to add password protection. In Adobe Acrobat, for instance, you can go to "File" -> "Properties" -> "Security" to set a password to restrict access or editing capabilities. Are there any free alternatives to Adobe Acrobat for working with PDFs? Yes, there are many free alternatives for working with PDFs, such as: LibreOffice: Offers PDF editing features. PDFsam: Allows splitting, merging, and editing PDFs. Foxit Reader: Provides basic PDF viewing and editing capabilities. How do I compress a PDF file? You can use online tools like Smallpdf, ILovePDF, or desktop software like Adobe Acrobat to compress PDF files without significant quality loss. Compression reduces the file size, making it easier to share and download. Can I fill out forms in a PDF file? Yes, most PDF viewers/editors like Adobe Acrobat, Preview (on Mac), or various online tools allow you to fill out forms in PDF files by selecting text fields and entering information. Are there any restrictions when working with PDFs? Some PDFs might have restrictions set by their creator, such as password protection, editing restrictions, or print restrictions. Breaking these restrictions might require specific software or tools, which may or may not be legal depending on the circumstances and local laws.

Find Interfacing Gsm Module Using Proteus Simulation Software :

parenting tips case study America 77-1845 parenting tips case study

[USA 77-490 weight loss explained United States 77-1866 weight loss for](#)

[strategies for startups 77-783 self improvement tips for small business](#)

[77-1769 blockchain development step by step for entrepreneurs 77-868](#)

[checklist for startups 77-1937 content marketing checklist for startups](#)

[77-53 self improvement trends United States 77-800 self improvement](#)

[study for creators 77-670 home organization case study for startups](#)

practices for creators 77-398 YouTube growth best practices for startups

[roadmap for small business 77-1177 retirement planning software for](#)

[recipes best practices United States 77-1267 healthy recipes best](#)

business 77-317 coding for beginners roadmap for startups 77-2595 coding

[77-2932 crypto trading checklist USA 77-2579 crypto trading checklist](#)

[for entrepreneurs 77-636 TikTok marketing software for startups 77-1733](#)

small business 77-835 fitness routines review America 77-1664 fitness

77-1236 interview tips apps for small business 77-756 interview tips

Interfacing Gsm Module Using Proteus Simulation Software :

fundamentals of anatomy and physiology for student nurses - Jul 08 2022

web nov 28 2011 the mind and the body when working in harmony is a fantastic system capable of extraordinary things with an applied interactive and highly visual approach fundamentals of anatomy and physiology for student nurses provides students with an exciting and straightforward understanding of anatomy and physiology enabling them

fundamentals of anatomy and physiology for nursing and - Jan 14 2023

web fundamentals of anatomy and physiology for nursing and healthcare students 2nd edition wiley fundamentals of anatomy and physiology for nursing and healthcare students is a succinct but complete overview of the structure and function of the human body with clinical applications throughout

jaypeedigital textbook of anatomy physiology for nurses - Jun 19 2023

web textbook of anatomy physiology for nurses by pr ashalatha g deepa the textbook of anatomy and physiology for nurses depicts basic concepts in anatomy and physiology mainly for nursing and paramedical students and as a foundation for the medical undergraduates too

anatomy and physiology for nurses 14th edition elsevier - Jul 20 2023

web description following the success of previous editions anatomy and physiology for nurses continues to be an excellent reference resource in anatomy and physiology for students of nursing and allied health as well as for healthcare assistants and those studying foundation degrees or diplomas in health studies

fundamentals of anatomy and physiology google books - Feb 15 2023

web sep 8 2020 fundamentals of anatomy and physiology is the perfect introduction to the subject for student nurses particularly those in the first year of their course healthcare assistants and nursing

textbook of anatomy physiology for nurses with free booklet - Sep 10 2022

web may 8 2020 textbook of anatomy physiology for nurses with free booklet pr ashalatha g deepa may 8 2020 medical 550 pages section 1 body and its constituents section 2 blood and lymphatics section 3 organ systems section 4 nutrition glossary index bibliographic information

text book of anatomy and physiology for nurses the online books - Jan 02 2022

web text book of anatomy and physiology for nurses author kimber diana clifford comp note new york london macmillan and co 1893 link page images at hathitrust us access only no stable link this is an uncurated book entry from our extended

bookshelves readable online now but without a stable link here

anatomy and physiology for nurses 14th edition - Nov 12 2022

web jun 12 2018 anatomy and physiology for nurses 14th edition following the success of previous editions anatomy and physiology for nurses continues to be an excellent reference resource in anatomy and physiology for students of nursing and allied health as well as for healthcare assistants and those studying view more

[textbook of applied anatomy and applied physiology for nurses](#) - Aug 09 2022

web aug 31 2021 textbook of applied anatomy and applied physiology for nurses 2nd edition e book nachiket dr shankar mario vaz elsevier health sciences aug 31 2021 medical 830 pages textbook

[textbook of anatomy and physiology for nurses google books](#) - Oct 11 2022

web oct 26 2017 specifically targeted for nurses this book has been written in line with the curriculum prescribed by the nursing council of india the combination of anatomy and physiology in one book will

textbook of anatomy and physiology for nurses - May 06 2022

web it is indeed with a great sense of pleasure and privilege that i give this foreword to the textbook of anatomy and physiology for nurses by dr pr ashalatha the author is a dedicated teacher in the subject of anatomy for medical nursing and paramedical students of calicut medical college for several years the bsc nursing

anatomy and physiology for nurses e book google books - Mar 16 2023

web jun 7 2018 roger watson elsevier health sciences jun 7 2018 medical 360 pages following the success of previous editions anatomy and physiology for nurses continues to be an excellent reference resource in anatomy and physiology for students of nursing and allied health as well as for healthcare assistants and those studying

[textbook of anatomy and physiology for nurses 1st edition](#) - Apr 17 2023

web aug 31 2017 description specifically targeted for nurses this book has been written in line with the curriculum prescribed by the nursing council of india the combination of anatomy and physiology in one book will allow the students to understand structure function relationships of the human body in preparation for their clinical

essentials of anatomy and physiology for nursing practice - May 18 2023

web the new edition of essentials of anatomy and physiology for nursing practice brings together text video full colour illustrations interactive activities and more to provide nursing students with a comprehensive introduction to understanding the healthy functioning of the human body

fundamentals of anatomy and physiology for nursing and - Dec 13 2022

web fundamentals of anatomy and physiology for nursing and healthcare students 3rd edition wiley comprehensive illustrated and perhaps most importantly applicable in practice the latest edition of this best selling textbook proves difficult

to put down

jaypeedigital textbook of anatomy and physiology for nurses - Mar 04 2022

web the aim of this textbook is to focus on the textbook of anatomy and physiology for nurses anatomy and physiology are core components of nursing curriculum and every nursing student is expected to have a basic understanding of the structural and functional components of the body

textbook of anatomy physiology for nurses google books - Aug 21 2023

web aug 31 2012 this easy to read textbook introduces to students the human body as a living functioning organism nursing students will discover exactly what happens when normal body functions are upset by

20 helpful anatomy resource guides for nursing students - Apr 05 2022

web apr 27 2022 by nursejournal staff updated april 27 2022 3 min read study resources visual guides interactive resources a thorough understanding of anatomy and physiology is required for nurses use this collection of resources and tools to help you master this area credit fatcamera e getty images are you ready to earn your

[anatomy and physiology for nursing and healthcare students at](#) - Feb 03 2022

web anatomy and physiology for nursing and healthcare students at a glance the market leading at a glance series is popular among healthcare students and newly qualified practitioners for its concise simple approach and excellent illustrations

text book of anatomy and physiology for nurses nature - Jun 07 2022

web text book of anatomy and physiology for nurses nature 52 77 1895 cite this article 6004 accesses metrics abstract this is a book of 268 pages on anatomy and physiology written by a

sap global trade services edition for sap hana sap online - Sep 16 2023

web sap global trade services edition for sap hana sap gts edition for sap hana helps companies better manage international trade operations ensure ongoing trade compliance and optimize the cross border supply chain the solution delivers automation and

gts100 sap - Feb 09 2023

web you can configure the check settings for complete addresses in the sap global trade services system to do so in your sap gts system go to customizing for sap

[setting up preference determination sap learning](#) - Oct 05 2022

web nov 2 2007 hi sap global trade services sap gts automates global trade processes and enables you to manage large numbers of business partners and high volumes of

sap gts global trade services tutorial and training pdf - Mar 30 2022

web what is covered in this course as of now the compliance management module of the sap gts system has been dealt in this

course the following topics are covered under the

sap library sap global trade services sap gts sap - May 12 2023

web configuring sap global trade services course outline these materials are provided by sap se or an sap affiliate company for informational purposes only without

gts200 sap - Apr 11 2023

web set up master data transfer from the feeder system to sap gts set up document transfer from the feeder system to sap gts maintain mapping for document transfer from sap

sap help portal - Nov 06 2022

web this course is aimed at participants with no previous knowledge who are interested in gaining an overview of sap global trade services the configuration of selected

kba configure master data change pointers gts ii sap - Jun 01 2022

web sap gts full form is global trade services module introduction tutorial and pdf study materials contains advantages of using gts its functionalities administrator s

gts100 sap global trade services overview sap training - Sep 04 2022

web the transfer of inbound deliveries material documents and billing documents to sap gts always takes place asynchronously this means that the documents are first created in

additional material attributes transfer to gts sap - Dec 07 2022

web during preference determination the sap gts system checks for all components of a bom that due to lack of other information it considers as non originating materials whether

the only sap gts configuration guide you ll ever need - Aug 15 2023

web configuring sap global trade services course outline these materials are provided by sap se or an sap affiliate company for informational purposes only without

setting up the integration into outbound processes sap learning - Jul 02 2022

web describe the sap gts product structure in the context of cross border movements of goods describe the system architecture and the basic principles of data replication

overview on sap gts sapboost com - Nov 25 2021

gts200 cdn training sap com - Oct 25 2021

sap help portal - Jun 13 2023

web with sap global trade services sap gts you can manage all the complexities of international trade including full regulatory compliance electronic communication with

discovering the basics of sap global trade services - Apr 30 2022

web aug 8 2019 legal regulation configuration setup in sap gts 1 3 9 655 legal regulation is controlling elements that determine the custom and compliance law to be observed in

configuring sap global trade services sap learning - Mar 10 2023

web these materials are provided by sap se or an sap affiliate company for informational purposes only without representation or warranty of any kind and sap 1 lesson

analyzing the communication with customs sap learning - Dec 27 2021

web configuring sap global trade services course outline course version 16 these materials are provided by sap se or an sap affiliate company for informational

gts200 sap - Jul 14 2023

web configuration guide for sap global trade services with sap erp describes the settings you need to make to configure the required sap application components and

legal regulation configuration setup in sap gts sap blogs - Feb 26 2022

web sap gts uses the post processing framework ppf to generate idocs for the customs declarations in an sap specific format and to transfer these documents to the edi

gts documentation and configuration sap community - Aug 03 2022

web symptom changes to master data vendors customers materials in a feeder system are transferred to global trade service gts via program rbdmidoc or transaction

sap help portal - Jan 08 2023

web the sap gts system selects products and your commodity codes based on change indicators and transfers them to the corresponding feeder systems once you have

sap gts training udemy - Jan 28 2022

web risk management sap gts the risk management module enables trade processes that deal with financial risk to our company this module contains preference management

the crucible questions and answers enotes com - May 18 2023

web start free trial the crucible questions and answers at the end of act 3 what does the following john proctor quote quote say to the audience what does mrs putnam mean when she says there

crucible act 1 study guide teaching resources tpt - Mar 04 2022

web stephen lenhardt study guides for the crucible acts 1 4 crucible study guide contains guided questions and higher level thinking questions crucible study guide encourages meta cognition and is easily differentiated the crucible study guide covers the complete play

[the crucible study guide literature guide litcharts](#) - Feb 15 2023

web the best study guide to the crucible on the planet from the creators of sparknotes get the summaries analysis and quotes you need

the crucible questions answers sparknotes - Mar 16 2023

web why is the play called the crucible what is a crucible did the girls really see the devil or witches why did tituba confess to dancing with the devil was john still in love with abigail why didn t more people sign false confessions that they were witches to save their lives what is reverend parris s biggest concern

the crucible act 1 study guide quizizz - May 06 2022

web the crucible act 1 study guide quiz for 11th grade students find other quizzes for and more on quizizz for free

[the crucible act 1 questions studylib net](#) - Apr 05 2022

web free essays homework help flashcards research papers book reports term papers history science politics

short answer study guide questions the crucible quia - Apr 17 2023

web short answer study guide questions the crucible act one 1 so now they and their church found it necessary to deny any other sect its freedom lest their new jerusalem be defiled and corrupted by wrong and deceitful ideas what is the irony in that statement 2 explain how the witch hunt years were a time of general revenge 3

short answer study guide questions the crucible act one quizlet - Oct 23 2023

web short answer study guide questions the crucible act one learn with flashcards games and more for free

[the crucible study guide gradesaver](#) - Dec 13 2022

web by arthur miller buy study guide the crucible study guide the crucible is a fictional retelling of events in american history surrounding the salem witch trials of the seventeenth century yet is as much a product of the time in which arthur miller wrote it the early 1950s as it is description of puritan society

the crucible essay questions gradesaver - Oct 11 2022

web 1 the crucible is famous as a political allegory but what exactly is miller trying to say who do you think is being most criticized in the contemporary analogy miller was particularly offended by those who named names before huac and he himself refused to do so

[the crucible study guide practice test questions final exam study](#) - Aug 09 2022

web test and improve your knowledge of the crucible study guide with fun multiple choice exams you can take online with

study.com

[eng102 crucible short answer questions 1 doc short answer study](#) - Sep 10 2022

web short answer study guide questions the crucible act one 1 so now they and their church found it necessary to deny any other sect its freedom lest their new jerusalem be defiled and corrupted by wrong and deceitful ideas what is the irony in that statement 2 identify tituba abigail and betty 3

short answer questions from act 4 of the crucible by - Jun 07 2022

web short answer questions from act 4 of the crucible by arthur miller 1 a crucible is defined as a vessel or melting pot or a test of the most decisive kind how are these definitions appropriate to this story and its events 2 the beginning of this act focuses on parris like the first act did

short answer study guide questions the crucible act one - Sep 22 2023

web short answer study guide questions the crucible act one terms in this set 36 so now they and their church found it necessary to deny any other sect its freedom lest their new jerusalem be defiled and corrupted by wrong and deceitful ideas what is the irony in that statement

the crucible study guide sparknotes - Aug 21 2023

web get ready to ace your the crucible paper with our suggested essay topics helpful essays about historical and literary context a sample a student essay and more historical context essay arthur miller and the red scare

the crucible short answer questions flashcards quizlet - Nov 12 2022

web study with quizlet and memorize flashcards containing terms like as the play opens reverend parris is questioning his niece what is he questioning her about and what exactly is his real concern explain in detail the relationship of john proctor elizabeth proctor and abigail williams what is the function of rebecca nurse in the play and more

the crucible questions and answers q a gradesaver - Jan 14 2023

web apr 14 2023 the crucible identify two examples of indirect characterization and dialogue or an action that amplify the examples or direct characterization of giles corey explain your choices answers 1 asked by jo s 1324813 last updated by aslan 16 days ago 10 24 2023 8 06 pm the crucible

the crucible study guide course online video lessons study - Jul 08 2022

web dec 6 2022 explore our library of over 88 000 lessons if you need to improve your understanding of the crucible look no further than this convenient online study guide course the course s

the crucible act 1 short answer review flashcards quizlet - Jul 20 2023

web short answer study guide questions the crucible act one learn with flashcards games and more for free

the crucible short answer quizzes enotes.com - Jun 19 2023

web 1 what do we learn in the opening narrative that is important to the events that follow 2 what happened in the woods the night before act one begins 3 how did the events come to light and