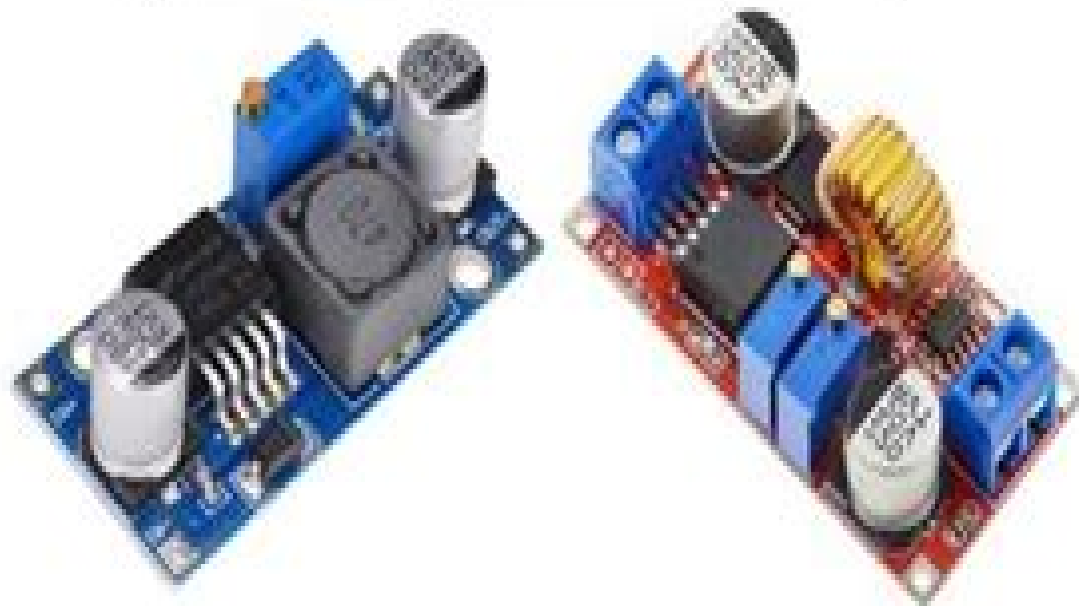
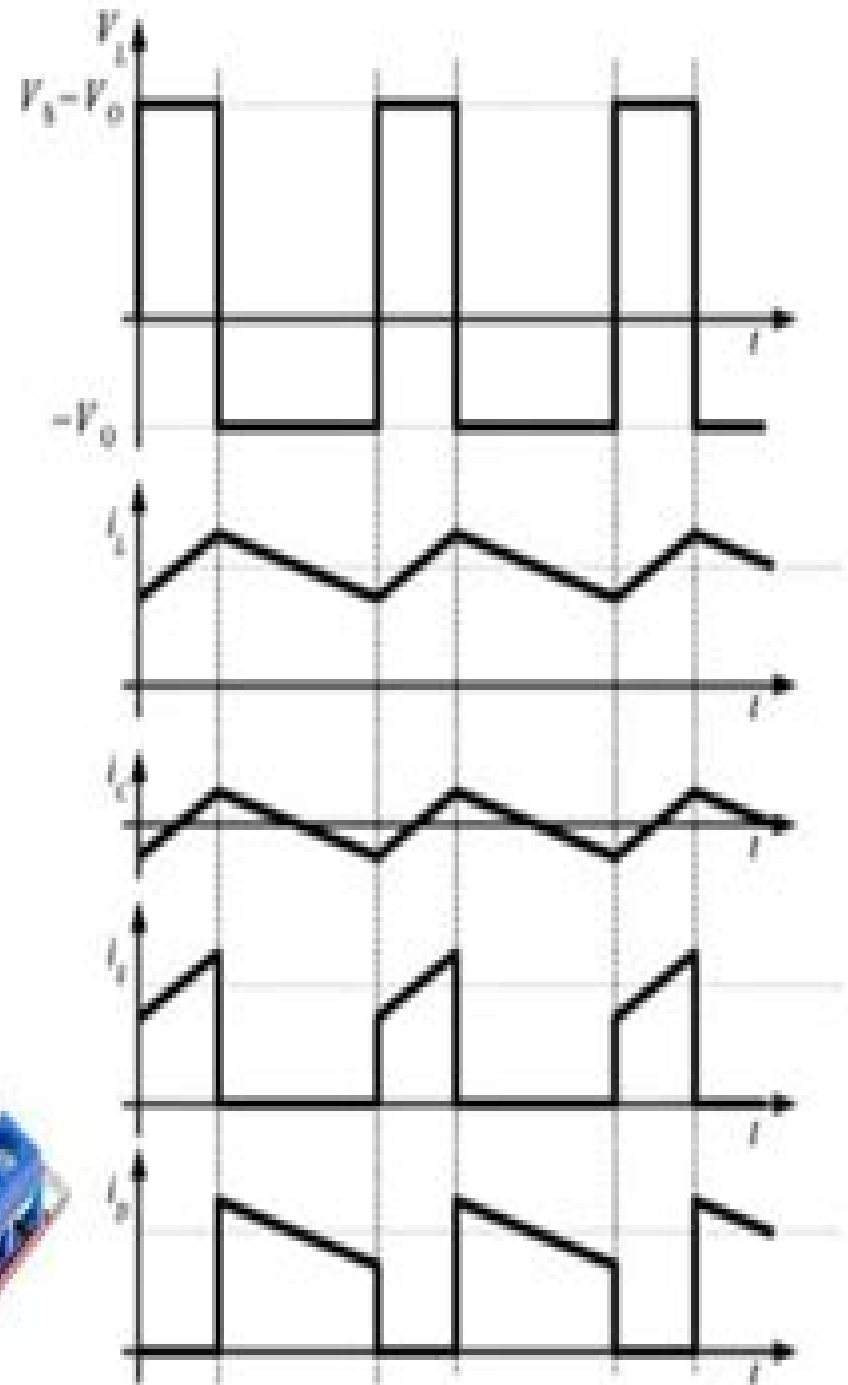
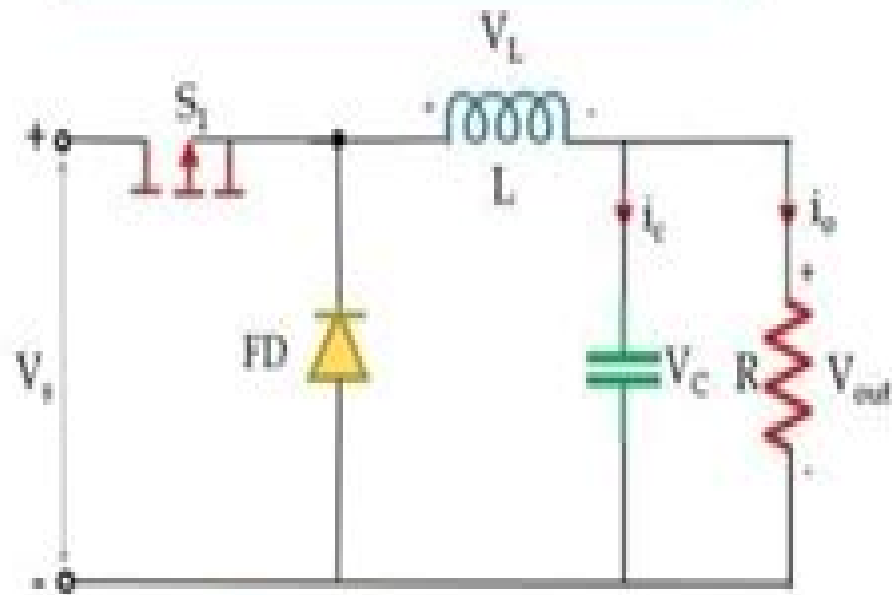


Buck Converter



Controller Design For Buck Converter Step By Step Approach

Jessica J Manson



Controller Design For Buck Converter Step By Step Approach:

Reviewing **Controller Design For Buck Converter Step By Step Approach**: Unlocking the Spellbinding Force of Linguistics

In a fast-paced world fueled by information and interconnectivity, the spellbinding force of linguistics has acquired newfound prominence. Its capacity to evoke emotions, stimulate contemplation, and stimulate metamorphosis is really astonishing. Within the pages of "**Controller Design For Buck Converter Step By Step Approach**," an enthralling opus penned by a very acclaimed wordsmith, readers attempt an immersive expedition to unravel the intricate significance of language and its indelible imprint on our lives. Throughout this assessment, we shall delve into the book's central motifs, appraise its distinctive narrative style, and gauge its overarching influence on the minds of its readers.

https://py.bijouxmedusa.com/book/Resources/index.jsp/Kaeser_Ask_35.pdf

Table of Contents Controller Design For Buck Converter Step By Step Approach

1. Understanding the eBook Controller Design For Buck Converter Step By Step Approach
 - The Rise of Digital Reading Controller Design For Buck Converter Step By Step Approach
 - Advantages of eBooks Over Traditional Books
2. Identifying Controller Design For Buck Converter Step By Step Approach
 - Exploring Different Genres
 - Considering Fiction vs. Non-Fiction
 - Determining Your Reading Goals
3. Choosing the Right eBook Platform
 - Popular eBook Platforms
 - Features to Look for in an eBook Platform
 - User-Friendly Interface
4. Exploring eBook Recommendations from Controller Design For Buck Converter Step By Step Approach
 - Personalized Recommendations
 - Controller Design For Buck Converter Step By Step Approach User Reviews and Ratings

Controller Design For Buck Converter Step By Step Approach

- Controller Design For Buck Converter Step By Step Approach and Bestseller Lists
- 5. Accessing Controller Design For Buck Converter Step By Step Approach Free and Paid eBooks
 - Controller Design For Buck Converter Step By Step Approach Public Domain eBooks
 - Controller Design For Buck Converter Step By Step Approach eBook Subscription Services
 - Controller Design For Buck Converter Step By Step Approach Budget-Friendly Options
- 6. Navigating Controller Design For Buck Converter Step By Step Approach eBook Formats
 - ePub, PDF, MOBI, and More
 - Controller Design For Buck Converter Step By Step Approach Compatibility with Devices
 - Controller Design For Buck Converter Step By Step Approach Enhanced eBook Features
- 7. Enhancing Your Reading Experience
 - Adjustable Fonts and Text Sizes of Controller Design For Buck Converter Step By Step Approach
 - Highlighting and Note-Taking Controller Design For Buck Converter Step By Step Approach
 - Interactive Elements Controller Design For Buck Converter Step By Step Approach
- 8. Staying Engaged with Controller Design For Buck Converter Step By Step Approach
 - Joining Online Reading Communities
 - Participating in Virtual Book Clubs
 - Following Authors and Publishers Controller Design For Buck Converter Step By Step Approach
- 9. Balancing eBooks and Physical Books Controller Design For Buck Converter Step By Step Approach
 - Benefits of a Digital Library
 - Creating a Diverse Reading Collection Controller Design For Buck Converter Step By Step Approach
- 10. Overcoming Reading Challenges
 - Dealing with Digital Eye Strain
 - Minimizing Distractions
 - Managing Screen Time
- 11. Cultivating a Reading Routine Controller Design For Buck Converter Step By Step Approach
 - Setting Reading Goals Controller Design For Buck Converter Step By Step Approach
 - Carving Out Dedicated Reading Time
- 12. Sourcing Reliable Information of Controller Design For Buck Converter Step By Step Approach
 - Fact-Checking eBook Content of Controller Design For Buck Converter Step By Step Approach
 - Distinguishing Credible Sources

13. Promoting Lifelong Learning
 - Utilizing eBooks for Skill Development
 - Exploring Educational eBooks
14. Embracing eBook Trends
 - Integration of Multimedia Elements
 - Interactive and Gamified eBooks

Controller Design For Buck Converter Step By Step Approach Introduction

In this digital age, the convenience of accessing information at our fingertips has become a necessity. Whether its research papers, eBooks, or user manuals, PDF files have become the preferred format for sharing and reading documents. However, the cost associated with purchasing PDF files can sometimes be a barrier for many individuals and organizations. Thankfully, there are numerous websites and platforms that allow users to download free PDF files legally. In this article, we will explore some of the best platforms to download free PDFs. One of the most popular platforms to download free PDF files is Project Gutenberg. This online library offers over 60,000 free eBooks that are in the public domain. From classic literature to historical documents, Project Gutenberg provides a wide range of PDF files that can be downloaded and enjoyed on various devices. The website is user-friendly and allows users to search for specific titles or browse through different categories. Another reliable platform for downloading Controller Design For Buck Converter Step By Step Approach free PDF files is Open Library. With its vast collection of over 1 million eBooks, Open Library has something for every reader. The website offers a seamless experience by providing options to borrow or download PDF files. Users simply need to create a free account to access this treasure trove of knowledge. Open Library also allows users to contribute by uploading and sharing their own PDF files, making it a collaborative platform for book enthusiasts. For those interested in academic resources, there are websites dedicated to providing free PDFs of research papers and scientific articles. One such website is Academia.edu, which allows researchers and scholars to share their work with a global audience. Users can download PDF files of research papers, theses, and dissertations covering a wide range of subjects. Academia.edu also provides a platform for discussions and networking within the academic community. When it comes to downloading Controller Design For Buck Converter Step By Step Approach free PDF files of magazines, brochures, and catalogs, Issuu is a popular choice. This digital publishing platform hosts a vast collection of publications from around the world. Users can search for specific titles or explore various categories and genres. Issuu offers a seamless reading experience with its user-friendly interface and allows users to download PDF files for offline reading. Apart from dedicated platforms, search engines also play a crucial role in finding free PDF files. Google, for instance, has an advanced search feature that allows users to filter results by file type. By

specifying the file type as "PDF," users can find websites that offer free PDF downloads on a specific topic. While downloading Controller Design For Buck Converter Step By Step Approach free PDF files is convenient, it's important to note that copyright laws must be respected. Always ensure that the PDF files you download are legally available for free. Many authors and publishers voluntarily provide free PDF versions of their work, but it's essential to be cautious and verify the authenticity of the source before downloading Controller Design For Buck Converter Step By Step Approach. In conclusion, the internet offers numerous platforms and websites that allow users to download free PDF files legally. Whether it's classic literature, research papers, or magazines, there is something for everyone. The platforms mentioned in this article, such as Project Gutenberg, Open Library, Academia.edu, and Issuu, provide access to a vast collection of PDF files. However, users should always be cautious and verify the legality of the source before downloading Controller Design For Buck Converter Step By Step Approach any PDF files. With these platforms, the world of PDF downloads is just a click away.

FAQs About Controller Design For Buck Converter Step By Step Approach Books

How do I know which eBook platform is the best for me? Finding the best eBook platform depends on your reading preferences and device compatibility. Research different platforms, read user reviews, and explore their features before making a choice. Are free eBooks of good quality? Yes, many reputable platforms offer high-quality free eBooks, including classics and public domain works. However, make sure to verify the source to ensure the eBook's credibility. Can I read eBooks without an eReader? Absolutely! Most eBook platforms offer web-based readers or mobile apps that allow you to read eBooks on your computer, tablet, or smartphone. How do I avoid digital eye strain while reading eBooks? To prevent digital eye strain, take regular breaks, adjust the font size and background color, and ensure proper lighting while reading eBooks. What's the advantage of interactive eBooks? Interactive eBooks incorporate multimedia elements, quizzes, and activities, enhancing the reader's engagement and providing a more immersive learning experience. Controller Design For Buck Converter Step By Step Approach is one of the best books in our library for free trial. We provide a copy of Controller Design For Buck Converter Step By Step Approach in digital format, so the resources that you find are reliable. There are also many eBooks related to Controller Design For Buck Converter Step By Step Approach. Where to download Controller Design For Buck Converter Step By Step Approach online for free? Are you looking for Controller Design For Buck Converter Step By Step Approach PDF? This is definitely going to save you time and cash in something you should think about.

Find Controller Design For Buck Converter Step By Step Approach :

kaeser ask 35

land rover discovery 2 td5 workshop manual

knowledge assessment methodology and world bank

kursus online bahasa inggris gratis

ktm workshop manual download

kinematics dynamics of machinery solutions manual

kashmir sapphire ruby sapphire from india

khutbah jumat pilihan

kodak case study answers

journey to lean making operational change stick

kredit motor syariah suzuki satria fu dp angsuran

john rutter a clare benediction satb piano

kubota 03 series diesel engine d1403 d1703 v1903 v2203 f2803 factory service repair workshop manual instant

kursus online php mysql

komatsu wa450 1 a online catalog 777parts net

Controller Design For Buck Converter Step By Step Approach :

cape introduction cambridge university press assessment - Apr 01 2023

web cape introduction this book has been specifically written for students following the cape management of business course unit 2 it has a companion volume that covers unit 1 of this syllabus this volume follows the unit 2 part of the syllabus very closely and it therefore provides all of the material and support needed by all students

management of business cape unit 1 cxc study guide a - Feb 28 2023

web oct 28 2013 1 business and its environment 2 the management of people 3 business finance and accounting

management of business for cape unit 1 google books - Jun 03 2023

web jul 5 2007 management of business for cape unit 1 peter stimpson kathleen singh cambridge university press jul 5 2007 juvenile nonfiction 347 pages a range of resources for cape has been specially developed to

cape management of business textbook studied pdf - Aug 05 2023

web this textbook is geared towards students studying cape management of business units 1 and 2 including private

Controller Design For Buck Converter Step By Step Approach

candidates the text is divided into two units and gives comprehensive coverage of the cape management of business syllabus providing students with a wide knowledge base of business concepts

management of business unit 1 cape past papers - May 22 2022

web are you looking for cape past papers on management of business unit 1 this webpage provides you with paper 1 and its answers for free download you can also find paper 2 and other units on the same website

management of business cape unit 1 cxc study guide open - Nov 27 2022

web march 21 2023 edited by importbot import existing book august 22 2020 created by importbot imported from better world books record management of business cape unit 1 cxc study guide by robert dransfield margaret scott thompson caribbean examinations caribbean examinations council 2013 oxford university press edition in

collins cape revision guide management of business pdf - Mar 20 2022

web may 29 2022 6 revision guide to cape management of business key concepts in business management the following lists are of the key concepts in business management each one is explained in the following chapters use these as a checklist to ensure that you understand each of the key concepts unit 1 module 1 business and its

management of business for cape unit 1 caribbean - Jul 24 2022

web mar 23 2009 this new textbook has been developed to match the requirements of the cape management of business syllabus full coverage of the cape syllabus is provided and the content has a clear focus on the caribbean economic and business environment

cape management of business syllabus specimen paper - Aug 25 2022

web this ebook contains the official cape management of business syllabus specimen paper and mark scheme effective for examinations from may june 2013 amended in 2016 it also contains subject reports for the years 2004 2005 2007 and 2009 2014 once downloaded this free ebook can be printed or saved to your chosen digital device

management of business unit 2 cape past papers - Feb 16 2022

web do you want to ace your cape exams on management of business unit 2 this webpage offers you free access to paper 1 and paper 2 with solutions for various years you can also browse other units and subjects on the same website

cxc management of business past papers store - May 02 2023

web cape management of business past papers ebook this ebook contains the official past papers 02 and 03 for cape management of business covering the years 2005 2006 and 2008 2019 and 2021 2022 this ebook cannot be printed

management of business for cape examinations google books - Jul 04 2023

web management of business for cape examinations author jerome pitterson edition illustrated publisher macmillan publishers limited 2016 isbn 0230400434

management of business for cape examinations bookfusion - Sep 25 2022

web author jerome pitterson isbn 9780230483194 category test preparation cxc cape price 34 32

management of business for cape unit 1 open library - Apr 20 2022

web sep 30 2007 imported from amazon com record management of business unit 1 by peter stimpson kathleen singh september 30 2007 cambridge university press edition paperback in english

management of business for cape unit 1 goodreads - Dec 29 2022

web sep 30 2007 this new textbook has been developed to match the requirements of the cape management of business syllabus full coverage of the cape syllabus is provided and the content has a clear focus on the caribbean economic and business environment a distinctive feature is the provision of examination type questions at the end of each major

cape mob unit 1 study notes flipbook by media fliphtml5 - Jun 22 2022

web nov 6 2020 cape management of business unit 1 study notes topics 1 world in auto 2 internal assessment 3 business organization in the private sector 4 business aims and objectives 5 business stakeholders 6 business decision making 7 decision making tools 8 production research and development 9 forecasting strategies for

management of business for cape examinations student s book - Jan 30 2023

web management of business for cape examinations is an independent publication and has not been authorized sponsored or otherwise approved by cxc object object this textbook provides comprehensive coverage of units 1 and 2 of the cape management of business syllabus

management of business cape caribbean examinations council - Oct 07 2023

web management of business procedures involved in managing a successful business enterprise the cape management of business syllabus provides not only a good foundation for further study of management of business and other related disciplines at the tertiary level but also opportunities for students to function not only in existing business

management of business pdf4pro - Oct 27 2022

web management of business for cape examinations jerome pitterson cape is a registered trade mark of the caribbean examinations council cxc management of business for cape examinations is an independent publication and has not been authorised sponsored or otherwise approved by cxc macmillan

management of business caribbean examinations council - Sep 06 2023

web the cape management of business syllabus provides not only a good foundation for further study of management of business and other related disciplines at the tertiary level but also opportunities for students to function not only in existing business organisations but also as successful entrepreneurs

apex economics final exam review flashcards quizlet - Oct 10 2023

web apex economics final exam review when the government runs a budget deficit what must it eventually do in order to pay back its debt click the card to flip have a budget surplus click the card to flip 1 282 flashcards learn test match q chat created by baaskat000 terms in this set 282

economics final exam economics final exam quizlet 448ui - Oct 30 2022

web economics final exam quizlet 448ui free trade international trade exchange of goods and services between nations north north trade trade between the developed countries 50 of world trade flows between the developed countries

abeka economics final exam flashcards quizlet - Feb 02 2023

web economy any system for the production distribution and consumption of goods and services economists the scholars of the production distribution and consumption of goods within an economy macroeconomics the study of national and international economies and how these major economies are affected by large scale choices and

apex econ final exam flashcards quizlet - Sep 09 2023

web expert solutions apex econ final exam 3 0 2 reviews flashcards learn test match when the government runs a budget deficit what must it eventually do in order to pay back its debt click the card to flip have a budget surplus click the card to flip 1 7 flashcards learn test match created by rachel374 terms in this set 7

apex economics final exam wrbb neu edu - Jul 27 2022

web apex economics final exam is available in our book collection an online access to it is set as public so you can get it instantly our books collection spans in multiple locations allowing you to get the most less latency time to download any of our books like this one merely said the apex economics final exam is universally compatible with

economics final exam flashcards quizlet - Jul 07 2023

web dow jones average averages 65 stocks in 3 different categories to see how the market is doing study with quizlet and memorize flashcards containing terms like economics horizontal merger vertical merger and more

economics final exam 2020 112 plays quizizz - Feb 19 2022

web economics final exam 2020 quiz for 9th grade students find other quizzes for social studies and more on quizizz for free

applied economics final examination exercises economics - Sep 28 2022

web mar 24 2020 download applied economics final examination and more economics exercises in pdf only on docsity applied economics final examination name score directions a strictly no erasure b write all your answers before the number except for essay test i multiple choice 1

apex economics final exam review subjecto com - Jun 06 2023

web which of the following goals does the government pursue in a socialist economic system equity which of the following must be a feature of an activity for it to be a game a set of rules which of the following economic indicators would be useful

for figuring out whether the economy is growing quickly or slowly gdp

read free apex economics final exam pdf for free - Aug 28 2022

web jul 5 2023 cracking the ap economics macro micro exams 2010 jun 11 2021 provides techniques for achieving high scores on the ap economics exam reviews important concepts and includes two full length practice exams with answers and explanations

apex econ 8 1 2 exam semester exam flashcards quizlet - Aug 08 2023

web apex econ 8 1 2 exam semester exam 5 0 4 reviews economic decisions involve doing what with resources to produce goods and services for people to consume click the card to flip allocating click the card to flip 1 87 flashcards learn test match q chat created by jordan dehaven terms in this set 87

ap macroeconomics final exam flashcards quizlet - Nov 30 2022

web ap macroeconomics final exam 5 0 1 review economics click the card to flip the study of how society manages its scarce resources click the card to flip 1 181 flashcards created by annagrace kitson made especially for online ap macroecon terms in this set 181 economics the study of how society manages its scarce resources

final exam for apex economics database grovemade - Apr 23 2022

web final exam for apex economics guide to rrb junior engineer stage 1 online exam 3rd edition oswaal icse sample question papers class 10 economic applications for 2023

apex economics final exam review flashcards studyhippo - Apr 04 2023

web jul 7 2022 apex economics final exam review flashcards get access to high quality and unique 50 000 college essay examples and more than 100 000 flashcards and test answers from around the world

apex economics final exam test prconvention com - May 25 2022

web oswaal isc sample question papers class 11 economics for 2023 exam apex test prep acute rheumatic fever and rheumatic heart disease is a concise yet comprehensive clinical resource highlighting must know information on rheumatic heart disease and acute rheumatic fever from a global perspective

applied economics final exam flashcards quizlet - Jan 01 2023

web bank reserves currency in circulation what are the three types of money 1 commodity money 2 commodity backed money 3 fiat money study with quizlet and memorize flashcards containing terms like aggregate demand shifters aggregate demand movements wealth effect and more

econ 1580 ay2020 t final exam days 1 studocu - Mar 23 2022

web exam paper econ 1580 final exam days final exam question not yet answered marked out of 1 00 flag question question text in 1984 the department of justice

apex econ unit 6 flashcards quizlet - May 05 2023

web 1 43 flashcards learn test match q chat beta created by evacabb terms in this set 43 absolute advantage the ability of one producer to engage in more efficient production than another producer colonization the act of stronger countries taking control of weaker countries and making them dependent comparative advantage

apex economics final exam vle bristolfreeschool org uk - Jun 25 2022

web apex economics final exam vle bristolfreeschool org uk download resources du llb law entrance exam 2022 8 full length mock tests solved 12 sectional tests solved 3 previous year papers unsolved edugorilla prep experts 2022 08 03 best selling book for du llb law entrance exam with objective type

ap macroeconomics exam ap central college board - Mar 03 2023

web starting with the 2023 exam a four function calculator is permitted for use on both sections of the exam section i multiple choice 60 questions 1 hour 10 minutes 66 of exam score

ndotja dhe mbrojtja e mjedisit weebly - Oct 05 2022

web ndotja dhe mbrojtja e mjedisitÇka është mbrojtja e mjedisit mbrojtja e mjedisit është praktikë e mbrojtjes së mjedisit në nivel individual të organizatave ose të qeverisë në dobi të mjedisit natyror dhe ose të qenieve njerëzore mbrojtja e mjedisit nga aktivitete të ndryshme të njeriut është e nevojshme Çka është

ndotja e ujit wikipedia - Nov 06 2022

web ndotja e ujit është ndotja e trupave ujorë zakonisht si rezultat i aktiviteteve njerëzore organet ujore përfshijnë për shembull burimet ujore liqenet lumenjtë detet oqeanet akuiferët dhe ujërat nëntokësorë ndotja e ujit rezulton

ndotja wikiwand - Mar 10 2023

web ndotja mund të marrë formën e substancave kimike ose energjisë të tilla si zhurma nxehtësia ose drita ndotësit ose përbërësit e ndotjes mund të jenë ose substanca energji të huaja ose ndotës natyralë ndotja shpesh klasifikohet si ndotje burimore ose joburimore në vitin 2015 ndotja vrau 9 milion njerëz në botë

mjedisi slideshare - Aug 03 2022

web feb 29 2016 ndotja e tokës ndotja e tokës paraqet ndotjen e sipërfaqes natyrore të tokës nga aktivitetet industriale komerciale shtëpiake dhe bujqësore mënyra më e mirë për të parandaluar ndotjen e tokës është përmes menaxhimit të mbeturinave në mënyrë të organizuar shfrytëzimit të tokës në mënyrë të organizuar dhe

problemet mjedisore në shqipëri wikipedia - Sep 04 2022

web ndotja e ajrit në tiranë ndotja e ajrit është një nga problemet kryesore mjedisore në qytetet e mëdha shqiptare sidomos në tiranë ndotja ka ardhur për pasojë e shtimit të makinave pakësimit të gjelbërimit urban djegia e plehrave aktiviteteve ekonomike të ndërmarrjeve përdorimi i karburanteve jo cilësore etj

kontaminimi i tokës wikipedia - Aug 15 2023

web ndotja është e lidhur me shkallën e industrializimit dhe intensitetit të substancës kimike shqetësimi për ndotjen e tokës buron kryesisht nga rreziqet shëndetësore nga kontakti i drejtpërdrejtë me tokën e ndotur avujt nga ndotësit ose nga ndotja sekondare e furnizimit me ujë brenda dhe në themel të tokës

doc ndotja e tokës projekt erton mara academia edu - Jul 02 2022

web ndotja e tokës projekt erton mara toka ku ne jetojme dhe zhvillojme veprimtarite tona eshte mjaft e rendesishme pa te nuk mund te kete jete ashtu si dhe uji toka eshte e rrezikuar nga ndotja te njejtet faktore qe ndotin ujin e ajrin e ndotin edhe token nga ana tjeter toka eshte e rrezikuar edhe nga humbja e shtreses se sipërme qe perdoret

projekt ndotja e mjedisit ppt slideshare - Mar 30 2022

web feb 20 2016 ndotja e tokës mbrojtja e mjedisit është praktikë e mbrojtjes së mjedisit në nivel individual të organizatave ose të qeverisë në dobi të mjedisit natyror dhe ose të qenieve njerëzore mbrojtja e mjedisit nga aktivitete të ndryshme të njeriut është e nevojshme ne e kemi në dorë të ardhmen e planetit tonë

ndotja plastike wikipedia - Dec 07 2022

web nga wikipedia enciklopedia e lirë ndotja plastike në breg të detit ndotja plastike është akumulimi i objekteve dhe mbetjeve plastike p sh shishe plastike qese etj në tokë për mjedisin që ndikon negativisht në kafshë të egra vendbanim të kafshëve të

Çka është ndotja e tokës dhe si ndodh ajo eureka24 - Apr 11 2023

web apr 3 2018 ndotja e tokës ndodh ne vartesi te perdorimit te kimikateve dhe shkalles se industrise ne ate zone te caktuar kimikatet qe zakonisht jane shkaktare te kontaminimit te tokës jane nafta hidrokarburet aromatike zbutesit detergjent pesticidet insekticidet plumbi e shume metale tjera te renda shqetësimet qe na sjell kontaminimi i

kontaminimi i tokës wikiwand - May 12 2023

web ndotja është e lidhur me shkallën e industrializimit dhe intensitetit të substancës kimike shqetësimi për ndotjen e tokës buron kryesisht nga rreziqet shëndetësore nga kontakti i drejtpërdrejtë me tokën e ndotur avujt nga ndotësit ose nga ndotja sekondare e furnizimit me ujë brenda dhe në themel të tokës

Çfarë është ndotja e tokës shkaqet dhe pasojat - Jun 13 2023

web kur bëhet reshja gazrat toksikë precipitojnë me pikat e ujit dhe përfundojnë në filtrimin e tokës këto toksina shkaktojnë humbjen e pjellorisë dhe cilësinë e tokës ndotja njerëzore logshtë logjike të mendosh se qeniet njerëzore janë shkaku kryesor i ndotjes së tokës

ndotja wikipedia - Jul 14 2023

web ndotja e bregdetit në guajana 2010 ndotja është futja e ndotësve në mjedisin natyror që shkaktojnë ndryshime të

pafavorshme ndotja mund të marrë formën e substancave kimike ose energjisë të tilla si zhurma nxehtësia ose drita ndotësit ose përbërësit e ndotjes mund të jenë ose substanca energji të huaja ose ndotës

ndotja e tokës by evis agaj prezi - Apr 30 2022

web nov 23 2013 outline 14 frames reader view ndotja e tokës ndotja në shqipëri problemi me i diskutuar ndotja e ajrit është një nga problemet kryesore mjedisore në qytete e mëdha shqiptare sidomos në tiranë ndotja ka ardhur si pasoje e shtimit të makinave dhe pakesimit të gjelberimit urban

litosfera wikipedia - Dec 27 2021

web litosfera korja e tokës nga gre litos shkëmb paraqet mbështjellësin e jashtëm të ngurtë me trashësi mesatare afro 70 km shprehja kore ka burimin nga hipoteza kozmogjene e disa mendimtarëve sipas të cilëve toka është krijuar nga një materie e zjarrtë me ftohjen e së cilës u formua shtresa e ngurtë

Çka është ndotja e tokës gazeta shëndeti - Jan 08 2023

web 0 gazeta shëndeti 83 35k 0 comments ndotja e tokës paraqet ndotjen e sipërfaqes natyrore të tokës nga aktivitetet industriale komerciale shtëpiake dhe bujqësore toka ku në jetojme dhe zhvillojme veprimtarite tona është mjaft e rëndësishme pa të nuk mund të kete jete ashtu si dhe uji

toka e kosovës nuk është shumë e ndotur por po shkatërrohet nga - Jun 01 2022

web jul 13 2020 foto wikipedia bb green kosova metalet e rënda rezultatet e analizave të mostrave të dheut tregojnë se përqendrimit e metaleve të rënda zn cu cr ni cd pb hg zn cu as dhe ni për 17 komuna janë brenda standardeve të ndotësit të dheut shtetërisht të listës së kosovës e përditësuar për pjesën dërrmuese të

ndotja e tokës dhe mbrojtja e saj by gramos toska prezi - Feb 09 2023

web jun 6 2016 ndotja e tokës mbeturinat ndotja e tokës paraqet ndotjen e sipërfaqes natyrore të tokës nga aktivitetet industriale komerciale shtëpiake dhe bujqësore toka ku në jetojme dhe zhvillojme veprimtarite tona është mjaft e rëndësishme pa të nuk mund të kete jete ashtu si dhe

8 shembuj të ndotjes së tokës Çfarë është dhe efektet në shëndet - Jan 28 2022

web hyni dhe mësoni rreth 8 shembuj të ndotjes së tokës dhe efekteve negative që ka në shëndetin tonë dhe mjedisin *ndotja e tokës by blerta qerimi prezi* - Feb 26 2022

web mar 1 2016 ndotja e tokës shkakton njerëzore përdorimi i kimikaleve prerja e pyjeve djegia e gazrave fosile nga makinat fabrikat dhe gjate prodhimit të energjis elektrike ndyshimi i përqendrimit të co2 agnesa koxha zvogelimi i përdorimit të agrokemikaleve në bujqësi zvogelimi i ndotjes