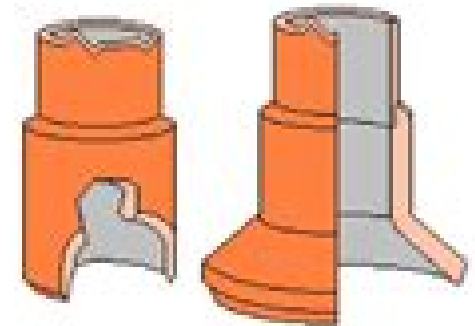


Well COMPLETION

5. OTHERS

5.1 Wireline Entry Guide (WLEG)

- Bottom most tubing accessories.
- Provide easy access for WL tools into tubing.

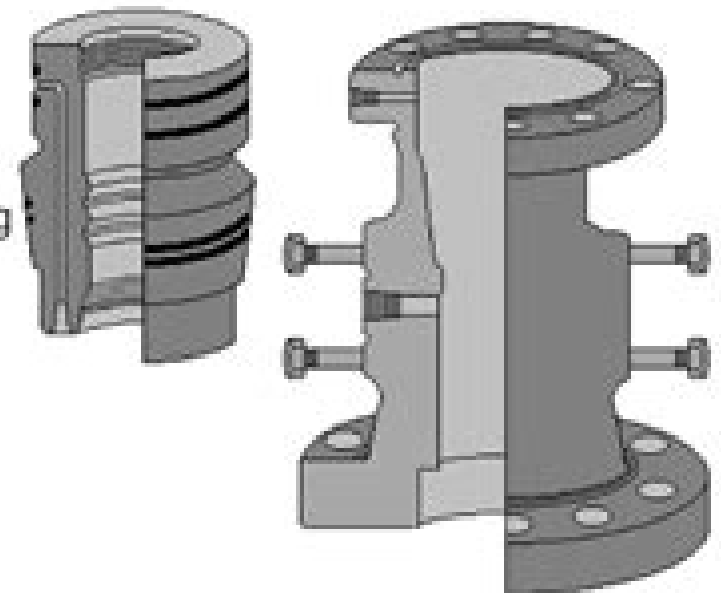


5.2 Perforated Joint

- Eliminate flow restrictions.
- Provide true downhole flow readings.

5.3 Control Line

- Transport hydraulic fluid to SCSSV
- Continuous length & securely clamped on tubing wall.



5.4 Tubing Hanger

- Set in THS , suspend tubing weight & provide sealing.
- BPV Receptacle

Wireline Operations Manual

RD Boyd



Wireline Operations Manual:

Standard Handbook of Petroleum and Natural Gas Engineering William C. Lyons, Gary J Plisga BS, 2011-03-15 This new edition of the Standard Handbook of Petroleum and Natural Gas Engineering provides you with the best state of the art coverage for every aspect of petroleum and natural gas engineering With thousands of illustrations and 1 600 information packed pages this text is a handy and valuable reference Written by over a dozen leading industry experts and academics the Standard Handbook of Petroleum and Natural Gas Engineering provides the best most comprehensive source of petroleum engineering information available Now in an easy to use single volume format this classic is one of the true must haves in any petroleum or natural gas engineer s library A classic for the oil and gas industry for over 65 years A comprehensive source for the newest developments advances and procedures in the petrochemical industry covering everything from drilling and production to the economics of the oil patch Everything you need all the facts data equipment performance and principles of petroleum engineering information not found anywhere else A desktop reference for all kinds of calculations tables and equations that engineers need on the rig or in the office A time and money saver on procedural and equipment alternatives application techniques and new approaches to problems

Wireline Operations and Procedures American Petroleum Institute. Division of Production, 1964

Wireline Operations Jack B. Hall, 1988 [Wireline Operations and Procedures](#) American Petroleum Institute. Production Department, 1994

Oilfield Survival Guide, Volume One: For All Oilfield Situations Matthew J. Hatami, 2017-01-02 Save Money Time and Lives with the Real World Oil Gas Experience of Others Learning the Hard Way in the Oilfield can Cost You Millions sometimes Billions of Dollars in addition to Injury and Loss of Life Cut Through the Noise to Focus on the Most Critical Aspects of Working in the Oil and Gas Business Based on over 1 000 Oil and Gas Situations involving Drilling Cementing Fracking Wireline Coil Tubing Snubbing Running Tools Welding Production Workover Logging Trucking Geology Land Engineering Resource Development Executive Management and much much more Expand Your Value Creation Opportunities by Learning from the Real World Experience of Others Whether you work in the office or in the field work as a Company Man Engineer Driller Tool Pusher Roughneck Geologist Landman Truck Driver Frac Hand Treater Cementer Lawyer Flowback Hand Welder Geophysicist Snubber Pumper Equipment Operator Derrick Man Mechanic Petrophysicist Roustabout Manager Director VP or Executive consider adding Oilfield Survival Guide to your toolbox of knowledge In other words if you work hard for your money in the oil business this book is for you The oil gas industry is one of the most capital intensive businesses today As a result mistakes situations can be expensive in addition to injury and loss of life To prevent undesirable situations Oilfield Survival Guide was created based on over 1 000 oil gas situations The ultimate guide for all oil and gas situations Tactics Procedures Fatalities Short Stories Train Wrecks Disaster Avoidance Court Cases Life Savings Skills Checklists Troubleshooting Problem Job Prevention Oilfield Survival Guide is the ultimate oil industry resource to help manage oilfield risk and avoid mistakes by increasing your oil and gas knowledge and

intelligence utilizing a variety of methods including Tactics Short and to the point guidelines to reduce risk and instill work principles to be successful in the oil industry from the field to the office Short Stories Experience from the mistakes of others Fatalities Detailed analysis of oil and gas tragedies Court Cases Jury trials expert witness testimony and legal opinions on a variety of oil and gas cases Procedures Step by step process to create oilfield procedures and checklists along with multiple examples Operations Analysis Oil and gas operations post mortem highlighting key learnings practical knowledge useful tips and best practices Over 1 000 oil and gas situations analyzed to create Oilfield Survival Guide **The Practical Handbook of Well Control** Rahman Ashena,2025-02-21 The Practical Handbook of Well Control teaches readers to safeguard well safety and integrity in drilling well engineering Offering an applied and scientific point of view it covers fundamental aspects of well control and includes practical procedures and well control methods for land and offshore operations It features a wealth of questions to commonly encountered problems and comprehensive answers at the end of each topical discussion to test reader comprehension Written in a concise accessible way by experienced oilfield and academic experts Covers all related technical subjects of well control Describes modern aspects of well control including automatic well control advances in outflow measurement artificial intelligence and IoT techniques for early kick detection mud gas separators and riser gas modeling Includes case studies to familiarize readers with real world problems and solutions Offers a full explanation of each problem to familiarize readers with commonly faced issues Features sample exercises with comprehensive answers useful for IWCF and IADC exams This handbook serves as a valuable reference and workbook for field drilling and workover engineers in the energy sector **Policy-Driven Mobile Ad hoc Network Management** Ritu Chadha,Latha Kant,2007-10-23 This book should be immensely interesting to those trying to decide what MANET research is worth undertaking and why J Christopher Ramming Program Manager Defense Advanced Research Projects Agency DARPA Strategic Technology Office A thorough comprehensive treatment of mobile ad hoc network management Mobile ad hoc networking is a hot topic gaining importance in both commercial and military arenas Now that the basics in the field have settled and standards are emerging the time is right for a book on management of these networks From two experts in the field Policy Driven Mobile Ad hoc Network Management provides comprehensive coverage of the management challenges associated with mobile ad hoc networks MANETs and includes an in depth discussion of how policy based network management can be used for increasing automation in the management of mobile ad hoc networks This book provides readers with a complete understanding of mobile ad hoc network management and many related topics including Network management requirements for MANETs with an emphasis on the differences between the management requirements for MANETs as compared to static wireline networks The use of policies for managing MANETs to increase automation and to tie together management components via policies Policy conflict detection and resolution Aspects of MANETs that need to be configured and reconfigured at all layers of the protocol stack Methodologies for providing survivability in the face of both hard and soft failures in MANETs The components

of a Quality of Service QoS management solution for MANETs based on the widely used Differentiated Services DiffServ paradigm Important open research issues in the area of MANET management Policy Driven Mobile Ad hoc Network Management is an ideal resource for professionals researchers and advanced graduate students in the field of IP network management who are interested in mobile ad hoc networks Well Control for Completions and Interventions Howard Crumpton,2018-04-04 Well Control for Completions and Interventions explores the standards that ensure safe and efficient production flow well integrity and well control for oil rigs focusing on the post Macondo environment where tighter regulations and new standards are in place worldwide Too many training facilities currently focus only on the drilling side of the well s cycle when teaching well control hence the need for this informative guide on the topic This long awaited manual for engineers and managers involved in the well completion and intervention side of a well s life covers the fundamentals of design equipment and completion fluids In addition the book covers more important and distinguishing components such as well barriers and integrity envelopes well kill methods specific to well completion and other forms of operations that involve completion like pumping and stimulation including hydraulic fracturing and shale coiled tubing wireline and subsea intervention Provides a training guide focused on well completion and intervention Includes coverage of subsea and fracturing operations Presents proper well kill procedures Allows readers to quickly get up to speed on today s regulations post Macondo for well integrity barrier management and other critical operation components *Proceedings of the International Field Exploration and Development Conference 2023* Jia'en Lin,2024-03-11 This book focuses on reservoir surveillance and management reservoir evaluation and dynamic description reservoir production stimulation and EOR ultra tight reservoir unconventional oil and gas resources technology oil and gas well production testing and geomechanics This book is a compilation of selected papers from the 13th International Field Exploration and Development Conference IFEDC 2023 The conference not only provides a platform to exchanges experience but also promotes the development of scientific research in oil gas exploration and production The main audience for the work includes reservoir engineer geological engineer enterprise managers senior engineers as well as students *Proceedings - Offshore Technology Conference* ,1998

Federal Register ,1999-07-08 **A Guide to Coalbed Methane Operations** Vicki A. Hollub,Paul S. Schafer,1992

The Oil and Gas Journal ,1930 *Petroleum Engineering Handbook* Howard B. Bradley,Fred W. Gipson,1987

Proceedings ... SPE Annual Technical Conference and Exhibition Society of Petroleum Engineers (U.S.). Technical Conference and Exhibition,1992 **The Standard and Poor's 500 Guide** Standard & Poor's,2005-12 Text and statistical data on 500 individual companies **Drilling International** ,1967 **Petroleum Engineer International** ,1982

Petroleum Engineering Handbook Larry W. Lake,2006 The Petroleum Engineering Handbook has long been recognized as a valuable comprehensive reference book that offers practical day to day applications for students and experienced engineering professionals alike The Petroleum Engineering Handbook is now a series of 7 volumes Volume IV

Production Operations Engineering will bring readers up to date in the areas of design equipment selection and operation procedures for most oil and gas wells Chapters cover three main topic areas well completions problems caused by formation damage and artificial lift a major concern for production engineers **Training Manual** United States. Army. Signal Corps,1925

Embracing the Melody of Expression: An Emotional Symphony within **Wireline Operations Manual**

In a world taken by monitors and the ceaseless chatter of instantaneous connection, the melodic splendor and emotional symphony produced by the published word often diminish in to the background, eclipsed by the constant sound and disruptions that permeate our lives. But, located within the pages of **Wireline Operations Manual** a marvelous literary value brimming with fresh feelings, lies an immersive symphony waiting to be embraced. Constructed by a masterful composer of language, this charming masterpiece conducts readers on a psychological journey, well unraveling the hidden melodies and profound influence resonating within each cautiously constructed phrase. Within the depths with this moving review, we shall examine the book is main harmonies, analyze its enthralling publishing style, and submit ourselves to the profound resonance that echoes in the depths of readers souls.

https://py.bijouxmedusa.com/data/virtual-library/HomePages/Skin_Care_And_Beauty_Spa_Refinedbeautyspa.pdf

Table of Contents Wireline Operations Manual

1. Understanding the eBook Wireline Operations Manual
 - The Rise of Digital Reading Wireline Operations Manual
 - Advantages of eBooks Over Traditional Books
2. Identifying Wireline Operations Manual
 - Exploring Different Genres
 - Considering Fiction vs. Non-Fiction
 - Determining Your Reading Goals
3. Choosing the Right eBook Platform
 - Popular eBook Platforms
 - Features to Look for in an Wireline Operations Manual
 - User-Friendly Interface
4. Exploring eBook Recommendations from Wireline Operations Manual
 - Personalized Recommendations

- Wireline Operations Manual User Reviews and Ratings
- Wireline Operations Manual and Bestseller Lists
- 5. Accessing Wireline Operations Manual Free and Paid eBooks
 - Wireline Operations Manual Public Domain eBooks
 - Wireline Operations Manual eBook Subscription Services
 - Wireline Operations Manual Budget-Friendly Options
- 6. Navigating Wireline Operations Manual eBook Formats
 - ePub, PDF, MOBI, and More
 - Wireline Operations Manual Compatibility with Devices
 - Wireline Operations Manual Enhanced eBook Features
- 7. Enhancing Your Reading Experience
 - Adjustable Fonts and Text Sizes of Wireline Operations Manual
 - Highlighting and Note-Taking Wireline Operations Manual
 - Interactive Elements Wireline Operations Manual
- 8. Staying Engaged with Wireline Operations Manual
 - Joining Online Reading Communities
 - Participating in Virtual Book Clubs
 - Following Authors and Publishers Wireline Operations Manual
- 9. Balancing eBooks and Physical Books Wireline Operations Manual
 - Benefits of a Digital Library
 - Creating a Diverse Reading Collection Wireline Operations Manual
- 10. Overcoming Reading Challenges
 - Dealing with Digital Eye Strain
 - Minimizing Distractions
 - Managing Screen Time
- 11. Cultivating a Reading Routine Wireline Operations Manual
 - Setting Reading Goals Wireline Operations Manual
 - Carving Out Dedicated Reading Time
- 12. Sourcing Reliable Information of Wireline Operations Manual
 - Fact-Checking eBook Content of Wireline Operations Manual

- Distinguishing Credible Sources
13. Promoting Lifelong Learning
 - Utilizing eBooks for Skill Development
 - Exploring Educational eBooks
 14. Embracing eBook Trends
 - Integration of Multimedia Elements
 - Interactive and Gamified eBooks

Wireline Operations Manual Introduction

Free PDF Books and Manuals for Download: Unlocking Knowledge at Your Fingertips In today's fast-paced digital age, obtaining valuable knowledge has become easier than ever. Thanks to the internet, a vast array of books and manuals are now available for free download in PDF format. Whether you are a student, professional, or simply an avid reader, this treasure trove of downloadable resources offers a wealth of information, conveniently accessible anytime, anywhere. The advent of online libraries and platforms dedicated to sharing knowledge has revolutionized the way we consume information. No longer confined to physical libraries or bookstores, readers can now access an extensive collection of digital books and manuals with just a few clicks. These resources, available in PDF, Microsoft Word, and PowerPoint formats, cater to a wide range of interests, including literature, technology, science, history, and much more. One notable platform where you can explore and download free Wireline Operations Manual PDF books and manuals is the internet's largest free library. Hosted online, this catalog compiles a vast assortment of documents, making it a veritable goldmine of knowledge. With its easy-to-use website interface and customizable PDF generator, this platform offers a user-friendly experience, allowing individuals to effortlessly navigate and access the information they seek. The availability of free PDF books and manuals on this platform demonstrates its commitment to democratizing education and empowering individuals with the tools needed to succeed in their chosen fields. It allows anyone, regardless of their background or financial limitations, to expand their horizons and gain insights from experts in various disciplines. One of the most significant advantages of downloading PDF books and manuals lies in their portability. Unlike physical copies, digital books can be stored and carried on a single device, such as a tablet or smartphone, saving valuable space and weight. This convenience makes it possible for readers to have their entire library at their fingertips, whether they are commuting, traveling, or simply enjoying a lazy afternoon at home. Additionally, digital files are easily searchable, enabling readers to locate specific information within seconds. With a few keystrokes, users can search for keywords, topics, or phrases, making research and finding relevant information a breeze. This efficiency saves time and effort, streamlining the learning process and allowing individuals to focus on extracting the information they

need. Furthermore, the availability of free PDF books and manuals fosters a culture of continuous learning. By removing financial barriers, more people can access educational resources and pursue lifelong learning, contributing to personal growth and professional development. This democratization of knowledge promotes intellectual curiosity and empowers individuals to become lifelong learners, promoting progress and innovation in various fields. It is worth noting that while accessing free Wireline Operations Manual PDF books and manuals is convenient and cost-effective, it is vital to respect copyright laws and intellectual property rights. Platforms offering free downloads often operate within legal boundaries, ensuring that the materials they provide are either in the public domain or authorized for distribution. By adhering to copyright laws, users can enjoy the benefits of free access to knowledge while supporting the authors and publishers who make these resources available. In conclusion, the availability of Wireline Operations Manual free PDF books and manuals for download has revolutionized the way we access and consume knowledge. With just a few clicks, individuals can explore a vast collection of resources across different disciplines, all free of charge. This accessibility empowers individuals to become lifelong learners, contributing to personal growth, professional development, and the advancement of society as a whole. So why not unlock a world of knowledge today? Start exploring the vast sea of free PDF books and manuals waiting to be discovered right at your fingertips.

FAQs About Wireline Operations Manual Books

What is a Wireline Operations Manual PDF? A PDF (Portable Document Format) is a file format developed by Adobe that preserves the layout and formatting of a document, regardless of the software, hardware, or operating system used to view or print it. **How do I create a Wireline Operations Manual PDF?** There are several ways to create a PDF: Use software like Adobe Acrobat, Microsoft Word, or Google Docs, which often have built-in PDF creation tools. Print to PDF: Many applications and operating systems have a "Print to PDF" option that allows you to save a document as a PDF file instead of printing it on paper. Online converters: There are various online tools that can convert different file types to PDF. **How do I edit a Wireline Operations Manual PDF?** Editing a PDF can be done with software like Adobe Acrobat, which allows direct editing of text, images, and other elements within the PDF. Some free tools, like PDFescape or Smallpdf, also offer basic editing capabilities. **How do I convert a Wireline Operations Manual PDF to another file format?** There are multiple ways to convert a PDF to another format: Use online converters like Smallpdf, Zamzar, or Adobe Acrobats export feature to convert PDFs to formats like Word, Excel, JPEG, etc. Software like Adobe Acrobat, Microsoft Word, or other PDF editors may have options to export or save PDFs in different formats. **How do I password-protect a Wireline Operations Manual PDF?** Most PDF editing software allows you to add password protection. In Adobe Acrobat, for instance, you can go

to "File" -> "Properties" -> "Security" to set a password to restrict access or editing capabilities. Are there any free alternatives to Adobe Acrobat for working with PDFs? Yes, there are many free alternatives for working with PDFs, such as: LibreOffice: Offers PDF editing features. PDFsam: Allows splitting, merging, and editing PDFs. Foxit Reader: Provides basic PDF viewing and editing capabilities. How do I compress a PDF file? You can use online tools like Smallpdf, I LovePDF, or desktop software like Adobe Acrobat to compress PDF files without significant quality loss. Compression reduces the file size, making it easier to share and download. Can I fill out forms in a PDF file? Yes, most PDF viewers/editors like Adobe Acrobat, Preview (on Mac), or various online tools allow you to fill out forms in PDF files by selecting text fields and entering information. Are there any restrictions when working with PDFs? Some PDFs might have restrictions set by their creator, such as password protection, editing restrictions, or print restrictions. Breaking these restrictions might require specific software or tools, which may or may not be legal depending on the circumstances and local laws.

Find Wireline Operations Manual :

skin care and beauty spa refinedbeautyspa

solution manual of conduction heat transfer arpaci

sonography principles and instruments 8e diagnostic ultrasound principles instruments kremkau

spek like churchill stand like lincoln pdf format

sistem bahan bakar injeksi efi blkimojokertos blog

special relativity practice problems and solutions

six of crows

solutions linear regression analysis montgomery

splendor in the grass the play by william inge adapted

sprout pro by hp

small town sustainability economic social and environmental innovation

spacecraft environment interactions

solution manual fundamentals of applied electromagnetics ulaby

snapchat hacked the snapping

sodium potassium and high blood pressure

Wireline Operations Manual :

[one world technologies es3001 ryobi es3001 moisture meter with](#) - Mar 30 2022

web user manual instruction guide for ryobi es3001 moisture meter with bluetooth es3001 one world technologies inc setup instructions pairing guide and how to reset

ryobi e49cm01 operator s manual pdf download manualslib - Jun 13 2023

web view and download ryobi e49cm01 operator s manual online power usage meter e49cm01 measuring instruments pdf manual download

[es3001 ryobi es3001 moisture meter with bluetooth user manual](#) - Sep 04 2022

web ryobi es3001 moisture meter with bluetooth fcc id one world technologies inc es3001 user manual related documents alternate views html translate pdf zoom download pdf

ryobi e49mm01 user manual manualmachine com - Oct 05 2022

web operator s manual pinless moisture meter e49mm01 warning read and understand all instructions the pinless moisture meter detects moisture levels which can contribute to mold growth this product detects and displays the percentage of moisture present in softwoods hardwoods drywall and masonry caution

ryobi e49mm01 operator s manual pdf download manualslib - Aug 15 2023

web view and download ryobi e49mm01 operator s manual online pinless moisture meter e49mm01 measuring instruments pdf manual download

[ryobi user manuals download manualslib](#) - Aug 03 2022

web view download of more than 5980 ryobi pdf user manuals service manuals operating guides trimmer drill user manuals operating guides specifications

ryobi moisture meter rbpinmm1 youtube - Jan 28 2022

web jun 24 2021 32 5 9k views 2 years ago the moisture meter measures the percentage of moisture in the most common materials soft wood hard wood plaster and aerated concrete with its smart internal

ryobi phone works moisture meter use and care manual - Jun 01 2022

web read operator s manual carefully learn the applications and limitations as well as the specific potential hazards related to this device following this rule will reduce the risk of electric shock fire or serious injury do not operate battery devices in explosive atmospheres such as in the presence of flammable liquids

ryobi e49mm01 pinless moisture meter manual manualslib - Jul 14 2023

web the pinless moisture meter detects moisture levels which can contribute to mold growth this product detects and displays the percentage of moisture present in softwoods hardwoods drywall and masonry this moisture meter does not

detect or identify the presence of mold product specifications

[pinless moisture meter ryobi tools](#) - Mar 10 2023

web sep 15 2009 model e49mm01 0 00 features includes reviews support features view our current promotions for new product releases and the latest ryobi savings your one stop destination for tips techniques manuals troubleshooting faqs and more includes 9v battery operator s manual specifications support manuals

[owner s operating manual ryobi](#) - Feb 09 2023

web 9 symbols symbol signal meaning danger indicates an imminently hazardous situation which if not avoided will result in death or serious injury warning indicates a potentially hazardous situation which if not avoided could result in death or serious injury caution indicates a potentially hazardous situation which if not avoided may result

[phone works moisture meter with bluetooth ryobi tools](#) - Feb 26 2022

web ryobi phone works introduces a better smarter way to monitor and track moisture content in wood drywall cement and other building materials the innovative phone works with bluetooth mobile app and moisture meter device turns your smartphone into a pinned moisture meter that reads moisture content and displays the results on your phone

ryobi es3000 user manual 2 pages also for es5500 - Dec 07 2022

web es3000 moisture meter read online or download pdf ryobi es3000 user manual

ryobi e49ir01 operator s manual pdf download manualslib - Nov 06 2022

web view and download ryobi e49ir01 operator s manual online ryobi infrared thermometer sonic distance measurer laser pointer operator s manual e49ir01 measuring instruments pdf manual download

[owner s operating manual 2 in 1 moisture meter ryobi](#) - Apr 11 2023

web use and store the moisture meter in nominal temperature conditions temperature extremes can shorten the life of the electronic parts and distort or melt plastic parts handle the moisture meter carefully and avoid shock and vibration dropping the meter may damage the electronic parts or the case keep the moisture meter clean wipe the case

pinless moisture meter ryobi tools - Apr 30 2022

web pinless moisture meter e49mm01 not your product search again registrations warranties service repair

[moisture meter ryobi rbpinmm1](#) - Jan 08 2023

web the ryobi rbpinmm1 moisture meter offers four modes to detect moisture content in softwood hardwood plaster and concrete aerated the moisture meter has a measurement range from 0 to 99.9 you can easily identify potential moisture damage at home in caravans and on any potential wood working projects

[ryobi phone works es3000 quick start pdf download manualslib](#) - Jul 02 2022

web view and download ryobi phone works es3000 quick start online moisture meter phone works es3000 measuring

instruments pdf manual download

[product manuals service support ryobi tools](#) - May 12 2023

web find your product s and manual s here how do i find my model number don t have the model number search by category

[limited two year warranty and 30 day exchange](#) - Dec 27 2021

web pinless moisture meter e49mm01 save this manual for future reference warning read and understand all instructions the pinless moisture meter detects moisture levels which can contribute to mold growth this product detects and displays the percentage of moisture ryobi est une marque déposée

the end of faith religion terror and the future of reason - Apr 15 2022

web sep 17 2005 the end of faith religion terror and the future of reason is a compelling read particularly but not exclusively to the atheist for the believer it presents a challenge that is still surmountable for the atheist it is both comforting and enlightening

the end of faith religion terror and the future of reason - Feb 23 2023

web english 336 pages 20 cm in the end of faith sam harris delivers an analysis of the clash between reason and religion in the modern world he offers a historical tour of our willingness to suspend reason in favor of religious beliefs even when these beliefs inspire the worst of human atrocities

the end of faith wikipedia - Jul 31 2023

web the end of faith religion terror and the future of reason is a 2004 book by sam harris concerning organized religion the clash between religious faith and rational thought and the problem of intolerance that correlates with religious fundamentalism

the end of faith religion terror and the future of reason - Mar 27 2023

web buy the end of faith religion terror and the future of reason 2nd edition by harris sam isbn 9780743268097 from amazon s book store everyday low prices and free delivery on eligible orders

the end of faith religion terror and the future of reason goodreads - Oct 02 2023

web aug 11 2004 the end of faith religion terror and the future of reason sam harris 3 89 41 399 ratings 1 884 reviews in the end of faith sam harris delivers a startling analysis of the clash between reason and religion in the modern world

the end of faith religion terror and the future of reason - Feb 11 2022

web sam harris the end of faith religion terror and the future of reason kindle edition by sam harris author format kindle edition 4 5 2 577 ratings see all formats and editions hardcover 9 55 6 used from 5 59 5 new from 39 00 paperback 6 62 39 used from 1 16 22 new from 6 62 audio cd 46 86 2 used from 46 86

the end of faith religion terror and the future of reason - Oct 22 2022

web the end of faith religion terror and the future of reason sam harris amazon com tr

the end of faith religion terror and the future of reason - Apr 27 2023

web sep 17 2005 in the end of faith sam harris delivers a startling analysis of the clash between reason and religion in the modern world he offers a vivid historical tour of our willingness to suspend

the end of faith religion terror and the future of reason - May 29 2023

web a startling analysis of the clash of faith and reason in today s world this historical tour of mankind s willingness to suspend reason in favor of religious beliefs even when those beliefs are used to justify atrocities asserts that in the shadow of weapons of mass destruction we can not expect to survive our religious differences indefinitely

the end of faith religion terror and the future of reason - May 17 2022

web the end of faith religion terror and the future of reason harris sam amazon com tr kitap

the end of faith religion terror and the future of reason by - Jan 25 2023

web pub date 09 17 2005 publisher norton w w company inc the end of faith religion terror and the future of reason by sam harris 4 3 127 write a review paperback view all available formats editions

the end of faith religion terror and the future of reason - Dec 24 2022

web sep 17 2005 in the end of faith sam harris delivers a startling analysis of the clash between reason and religion in the modern world he offers a vivid historical tour of our willingness to suspend reason in favor of religious beliefs even when these beliefs inspire the worst human atrocities

the end of faith religion terror and the future of reason - Sep 20 2022

web this important and timely book delivers a startling analysis of the clash of faith and reason in today s world sam harris offers a vivid historical tour of mankind s willingness to suspend reason in favour of religious beliefs even when those beliefs are used to justify harmful behaviour and sometimes heinous crimes

the end of faith religion terror and the future of reason - Aug 20 2022

web the end of faith religion terror and the future of reason sam harris w w norton company 2004 psychology religious 336 pages this important and timely book delivers a startling

the end of faith religion terror and the future of reason - Mar 15 2022

web language english includes bibliographical references p 293 321 and index reason in exile the nature of belief in the shadow of god the problem with islam west of eden a science of good and evil experiments in consciousness access restricted item

the end of faith religion terror and the future of reason - Nov 22 2022

web aug 11 2004 the end of faith religion terror and the future of reason sam harris published 11 august 2004 philosophy

this important and timely book delivers a startling analysis of the clash of faith and reason in today s world

the end of faith religion terror and the future of reason - Sep 01 2023

web sep 17 2005 the end of faith religion terror and the future of reason is a compelling read particularly but not exclusively to the atheist for the believer it presents a challenge that is still surmountable for the atheist it is both comforting and enlightening

the end of faith religion terror and the future of reason - Jun 17 2022

web feb 7 2005 paperback 7 11 28 used from 1 00 26 new from 4 00 1 collectible from 26 95 this important and timely book delivers a startling analysis of the clash of faith and reason in today s world

the end of faith religion terror and the future of - Jun 29 2023

web jan 1 2010 the end of faith religion terror and the future of reason january 2010 authors geoffrey w sutton evangel university abstract the 9 11 islamic terrorists emblazoned the psychological

the end of faith religion terror and the future - Jul 19 2022

web the 9 11 islamic terrorists emblazoned the psychological truism of the path from belief to behavior on the minds of millions the world saw the lethiferous power of religious belief we witnessed the purpose driven death sam harris pummels readers

async in c 5 0 microsoft library overdrive - Jun 01 2022

web if you re writing one of several applications that call for asynchronous programming this concise hands on guide shows you how the async feature in c 5 0 can make the process much simpler along with a clear introduction to asynchronous programming you get an in depth look at how the async feature works and why you might want to use it in

[introduction to async and await keywords in c 5 0 codeguru](#) - Apr 11 2023

web jul 23 2012 this section will list out the things that can be accomplished using async and await keywords in c 5 0 language 1 writing an asynchronous code with a synchronous code structure 2 by using await you don t have to worry about modifying the ui elements in an asynchronous operation

asynchronous do the new c 5 0 async and await keywords - Aug 15 2023

web mar 28 2012 4 answers sorted by 101 two new keywords added to the c 5 0 language are async and await both of which work hand in hand to run a c method asynchronously without blocking the calling thread that gets across the purpose of the feature but it gives too much credit to the async await feature

asynchronous routines for c hackaday - Aug 03 2022

web sep 24 2019 the first time you call the async function it will run like normal until it hits some form of await then it may return each time after that the function jumps back to the await statement you

[c 5 0 async generic delegate in c 5 0 stack overflow](#) - Jul 02 2022

web dec 6 2011 [async generic delegate in c 5 0 with iterators](#) the following generic delegate is possible with the new async await in c 5 0 ctp i expect to be able to create the analogous delegate as follows i can t find the c 5 0 spec or any help in this regard

async in c 5 0 by alex davies ebook ebooks com - Dec 07 2022

web title [async in c 5 0](#) author alex davies imprint o reilly media language english number of pages 106 disclaimer read online you can read this ebook online in a web browser without downloading anything or installing software

[async in c 5 0 alex davies amazon com tr kitap](#) - Mar 10 2023

web arama yapmak istediğiniz kategoriye seçin

[async in c 5 0 unleash the power of async gby](#) - Oct 05 2022

web [asynctasksarecontagious](#) 23 [asynctaskanonymousdelegatesand lambdas](#) 24 5 [whatawaitactuallydoes](#) 25 [hibernatingand resuminga method](#) 25 [thestate ofthe method](#) 26 [context](#) 27 [whereawait can t be used](#) 28 [catch and finally blocks](#) 28 [lockblocks](#) 29 [linqqueryexpressions](#) 29 [unsafe code](#) 30 [exception capture](#) 30 [async](#)

async in c 5 0 e kitap alex davies pdf d r - Feb 09 2023

web [async in c 5 0 e kitap açıklaması](#) if you re writing one of several applications that call for asynchronous programming this concise hands on guide shows you how the async feature in c 5 0 can make the process much simpler

[async await in c 5 0 dotnetcurry](#) - Sep 04 2022

web mar 8 2013 [views 72511 abstract](#) this article introduces the new async and await pattern for asynchronous development in c 5 0 and highlights the differences from the traditional practices in place so far as of c 5 0 which comes with net 4 5 and with visual studio 2012 we can use the new asynchronous pattern involving use of the async and

[download davies a async in c 5 0 pdf sciarium](#) - Jan 28 2022

web oct 4 2012 [this book is for experienced c developers that need to get a quick yet in depth look at what the new feature async in c 5 0 means for their current and future projects](#) async is a powerful feature added to the c programming language in c 5 0 it comes at a time when performance and parallelization are becoming a major concern of

async in c 5 0 pdf free download - Dec 27 2021

web [download pdf async in c 5 0 alex davies beijing cambridge farnham köln sebastopol tokyo](#) [async in c 5 0 by alex davies](#) copyright 2012 alex davies all rights reserved printed in the united states of america published by o reilly media inc 1005 gravenstein highway north sebastopol ca 95472

async in c 5 0 unleash the power of async amazon com - Nov 06 2022

web oct 23 2012 [learn the importance of the await keyword in async methods understand which net thread is running your](#)

code and at what points in the program use the task based asynchronous pattern tap to write asynchronous apis in net take advantage of parallel computing in modern machines

github deliazhi async in c 5 0 - Feb 26 2022

web async in c 5 0 [task](#) [gitbook](#) 2017 07 26

introduction to async and await in c 5 0 c corner - Jul 14 2023

web this article provides a brief introduction to the use of async and await to make simple asynchronous calls from your c 5 0 net 4 5 applications async and await is a new language feature introduced with the net 4 5 update

[asynchronous how does c 5 0 async work stack overflow](#) - Jun 13 2023

web feb 27 2011 i m trying to grok how c 5 s new async feature works suppose i want to develop an atomic increment function for incrementing an integer in a fictitious intstore multiple calls are made to this function in one thread only async void incrementkey string key int i await intstore get key intstore set key i 1

async in c 5 0 book o reilly media - Apr 30 2022

web if you re writing one of several applications that call for asynchronous programming this concise hands on guide shows you how the async feature in c 5 0 can make the process much simpler along with a clear introduction to asynchronous programming you get an in depth look at how the async feature works and why you might want to use it in

what are the consequences of marking a method async in c 5 0 - Jan 08 2023

web oct 13 2013 the main purpose of the async keyword is to avoid conflicts with code used in prior to c 5 0 in other words we could say to maintain backward compatibility prior to c 5 0 you could have used identifiers types as await void somemethod int await 5 identifier await myawait new await type

async in c 5 0 unleash the power of async google books - May 12 2023

web sep 7 2012 async in c 5 0 unleash the power of async alex davies o reilly media inc sep 7 2012 computers 108 pages if you re writing one of several applications that call for

async in c 5 0 unleash the power of async semantic scholar - Mar 30 2022

web async in c 5 0 unleash the power of async a davies published 2012 computer science view paper gbv de save to library