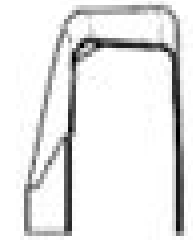
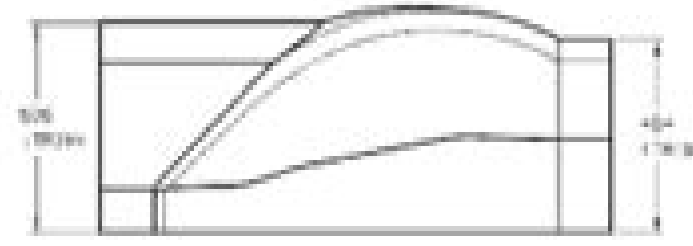
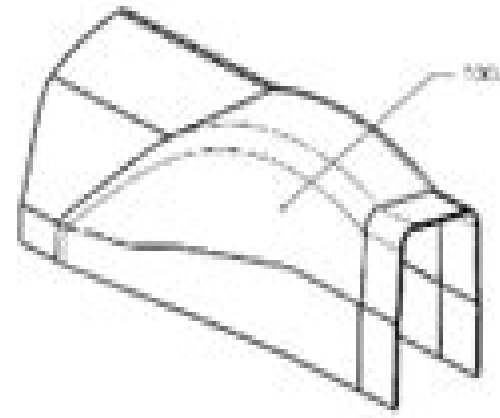


LAMP VEHICLE			
WHEEL DATA			SURFACE AREA (sq. in.)
A.S.	WHEELS	AXLES	
11	1.00 2.00 1.00	1.00	1.000
12	1.00 2.00 1.00 1.00 1.00	1.00	1.000
13	1.00 2.00 1.00 1.00 1.00	1.00	1.000
14	1.00 2.00 1.00 1.00 1.00	1.00	1.000
15	1.00 2.00 1.00	1.00	1.000
TOTAL	8		



- NOTES:
1. PLY 1 CORRESPONDING TO 100L SIZE
  2. SURFACE FINISH SPECIFIED ON DRAWING
  3. MATERIALS & MANUFACTURING METHODS MAY BE APPROVED BY QUALITY CONTROL DIVISION
  4. ALL DIMENSIONS UNLESS OTHERWISE SPECIFIED ARE IN MILLIMETERS
  5. ALL DIMENSIONS UNLESS OTHERWISE SPECIFIED ARE IN MILLIMETERS
  6. ALL DIMENSIONS UNLESS OTHERWISE SPECIFIED ARE IN MILLIMETERS
  7. ALL DIMENSIONS UNLESS OTHERWISE SPECIFIED ARE IN MILLIMETERS
  8. ALL DIMENSIONS UNLESS OTHERWISE SPECIFIED ARE IN MILLIMETERS
  9. ALL DIMENSIONS UNLESS OTHERWISE SPECIFIED ARE IN MILLIMETERS
  10. ALL DIMENSIONS UNLESS OTHERWISE SPECIFIED ARE IN MILLIMETERS

	<b>WILL THE TIRE</b> [REDACTED]	<b>1.00 2.00 1.00 1.00 1.00</b>
	<b>1.00 2.00 1.00 1.00 1.00</b>	<b>1.00 2.00 1.00 1.00 1.00</b>
	<b>1.00 2.00 1.00 1.00 1.00</b>	<b>1.00 2.00 1.00 1.00 1.00</b>

# Composite Drawing In Engineering

**Lingsheng Yao**



## **Composite Drawing In Engineering:**

Fuel your quest for knowledge with is thought-provoking masterpiece, Explore **Composite Drawing In Engineering** . This educational ebook, conveniently sized in PDF ( \*), is a gateway to personal growth and intellectual stimulation. Immerse yourself in the enriching content curated to cater to every eager mind. Download now and embark on a learning journey that promises to expand your horizons. .

[https://py.bijouxmedusa.com/public/Resources/default.aspx/Go\\_Math\\_Teacher\\_Edition\\_Online\\_Pdf\\_Format.pdf](https://py.bijouxmedusa.com/public/Resources/default.aspx/Go_Math_Teacher_Edition_Online_Pdf_Format.pdf)

## **Table of Contents Composite Drawing In Engineering**

1. Understanding the eBook Composite Drawing In Engineering
  - The Rise of Digital Reading Composite Drawing In Engineering
  - Advantages of eBooks Over Traditional Books
2. Identifying Composite Drawing In Engineering
  - Exploring Different Genres
  - Considering Fiction vs. Non-Fiction
  - Determining Your Reading Goals
3. Choosing the Right eBook Platform
  - Popular eBook Platforms
  - Features to Look for in an Composite Drawing In Engineering
  - User-Friendly Interface
4. Exploring eBook Recommendations from Composite Drawing In Engineering
  - Personalized Recommendations
  - Composite Drawing In Engineering User Reviews and Ratings
  - Composite Drawing In Engineering and Bestseller Lists
5. Accessing Composite Drawing In Engineering Free and Paid eBooks
  - Composite Drawing In Engineering Public Domain eBooks
  - Composite Drawing In Engineering eBook Subscription Services
  - Composite Drawing In Engineering Budget-Friendly Options

6. Navigating Composite Drawing In Engineering eBook Formats
  - ePub, PDF, MOBI, and More
  - Composite Drawing In Engineering Compatibility with Devices
  - Composite Drawing In Engineering Enhanced eBook Features
7. Enhancing Your Reading Experience
  - Adjustable Fonts and Text Sizes of Composite Drawing In Engineering
  - Highlighting and Note-Taking Composite Drawing In Engineering
  - Interactive Elements Composite Drawing In Engineering
8. Staying Engaged with Composite Drawing In Engineering
  - Joining Online Reading Communities
  - Participating in Virtual Book Clubs
  - Following Authors and Publishers Composite Drawing In Engineering
9. Balancing eBooks and Physical Books Composite Drawing In Engineering
  - Benefits of a Digital Library
  - Creating a Diverse Reading Collection Composite Drawing In Engineering
10. Overcoming Reading Challenges
  - Dealing with Digital Eye Strain
  - Minimizing Distractions
  - Managing Screen Time
11. Cultivating a Reading Routine Composite Drawing In Engineering
  - Setting Reading Goals Composite Drawing In Engineering
  - Carving Out Dedicated Reading Time
12. Sourcing Reliable Information of Composite Drawing In Engineering
  - Fact-Checking eBook Content of Composite Drawing In Engineering
  - Distinguishing Credible Sources
13. Promoting Lifelong Learning
  - Utilizing eBooks for Skill Development
  - Exploring Educational eBooks
14. Embracing eBook Trends
  - Integration of Multimedia Elements

- Interactive and Gamified eBooks

### **Composite Drawing In Engineering Introduction**

In today's digital age, the availability of Composite Drawing In Engineering books and manuals for download has revolutionized the way we access information. Gone are the days of physically flipping through pages and carrying heavy textbooks or manuals. With just a few clicks, we can now access a wealth of knowledge from the comfort of our own homes or on the go. This article will explore the advantages of Composite Drawing In Engineering books and manuals for download, along with some popular platforms that offer these resources. One of the significant advantages of Composite Drawing In Engineering books and manuals for download is the cost-saving aspect. Traditional books and manuals can be costly, especially if you need to purchase several of them for educational or professional purposes. By accessing Composite Drawing In Engineering versions, you eliminate the need to spend money on physical copies. This not only saves you money but also reduces the environmental impact associated with book production and transportation. Furthermore, Composite Drawing In Engineering books and manuals for download are incredibly convenient. With just a computer or smartphone and an internet connection, you can access a vast library of resources on any subject imaginable. Whether you're a student looking for textbooks, a professional seeking industry-specific manuals, or someone interested in self-improvement, these digital resources provide an efficient and accessible means of acquiring knowledge. Moreover, PDF books and manuals offer a range of benefits compared to other digital formats. PDF files are designed to retain their formatting regardless of the device used to open them. This ensures that the content appears exactly as intended by the author, with no loss of formatting or missing graphics. Additionally, PDF files can be easily annotated, bookmarked, and searched for specific terms, making them highly practical for studying or referencing. When it comes to accessing Composite Drawing In Engineering books and manuals, several platforms offer an extensive collection of resources. One such platform is Project Gutenberg, a nonprofit organization that provides over 60,000 free eBooks. These books are primarily in the public domain, meaning they can be freely distributed and downloaded. Project Gutenberg offers a wide range of classic literature, making it an excellent resource for literature enthusiasts. Another popular platform for Composite Drawing In Engineering books and manuals is Open Library. Open Library is an initiative of the Internet Archive, a non-profit organization dedicated to digitizing cultural artifacts and making them accessible to the public. Open Library hosts millions of books, including both public domain works and contemporary titles. It also allows users to borrow digital copies of certain books for a limited period, similar to a library lending system. Additionally, many universities and educational institutions have their own digital libraries that provide free access to PDF books and manuals. These libraries often offer academic texts, research papers, and technical manuals, making them invaluable resources for students and researchers. Some notable examples include MIT OpenCourseWare,

which offers free access to course materials from the Massachusetts Institute of Technology, and the Digital Public Library of America, which provides a vast collection of digitized books and historical documents. In conclusion, Composite Drawing In Engineering books and manuals for download have transformed the way we access information. They provide a cost-effective and convenient means of acquiring knowledge, offering the ability to access a vast library of resources at our fingertips. With platforms like Project Gutenberg, Open Library, and various digital libraries offered by educational institutions, we have access to an ever-expanding collection of books and manuals. Whether for educational, professional, or personal purposes, these digital resources serve as valuable tools for continuous learning and self-improvement. So why not take advantage of the vast world of Composite Drawing In Engineering books and manuals for download and embark on your journey of knowledge?

### FAQs About Composite Drawing In Engineering Books

**What is a Composite Drawing In Engineering PDF?** A PDF (Portable Document Format) is a file format developed by Adobe that preserves the layout and formatting of a document, regardless of the software, hardware, or operating system used to view or print it. **How do I create a Composite Drawing In Engineering PDF?** There are several ways to create a PDF: Use software like Adobe Acrobat, Microsoft Word, or Google Docs, which often have built-in PDF creation tools. Print to PDF: Many applications and operating systems have a "Print to PDF" option that allows you to save a document as a PDF file instead of printing it on paper. Online converters: There are various online tools that can convert different file types to PDF. **How do I edit a Composite Drawing In Engineering PDF?** Editing a PDF can be done with software like Adobe Acrobat, which allows direct editing of text, images, and other elements within the PDF. Some free tools, like PDFescape or Smallpdf, also offer basic editing capabilities. **How do I convert a Composite Drawing In Engineering PDF to another file format?** There are multiple ways to convert a PDF to another format: Use online converters like Smallpdf, Zamzar, or Adobe Acrobats export feature to convert PDFs to formats like Word, Excel, JPEG, etc. Software like Adobe Acrobat, Microsoft Word, or other PDF editors may have options to export or save PDFs in different formats. **How do I password-protect a Composite Drawing In Engineering PDF?** Most PDF editing software allows you to add password protection. In Adobe Acrobat, for instance, you can go to "File" -> "Properties" -> "Security" to set a password to restrict access or editing capabilities. Are there any free alternatives to Adobe Acrobat for working with PDFs? Yes, there are many free alternatives for working with PDFs, such as: LibreOffice: Offers PDF editing features. PDFsam: Allows splitting, merging, and editing PDFs. Foxit Reader: Provides basic PDF viewing and editing capabilities. How do I compress a PDF file? You can use online tools like Smallpdf, ILovePDF, or desktop software like Adobe Acrobat to compress PDF files without significant quality loss.

Compression reduces the file size, making it easier to share and download. Can I fill out forms in a PDF file? Yes, most PDF viewers/editors like Adobe Acrobat, Preview (on Mac), or various online tools allow you to fill out forms in PDF files by selecting text fields and entering information. Are there any restrictions when working with PDFs? Some PDFs might have restrictions set by their creator, such as password protection, editing restrictions, or print restrictions. Breaking these restrictions might require specific software or tools, which may or may not be legal depending on the circumstances and local laws.

### **Find Composite Drawing In Engineering :**

**go math teacher edition online pdf format**

**gmat critical reasoning bible a comprehensive guide for attacking the gmat critical reasoning questions author david m killoran published on october 2007**

getting from college to career rev ed

**guitar pentatonic and blues scales quickly learn pentatonic scale theory master essential licks and exercises**

**generation of electrical energy by br gupta**

**goodrich and tamassia algorithm design wiley ebook**

ground improvement third edition crc press 2012

global business today 9th edition

**grolier talking english logico disney magic english**

*guide to midi orchestration 4e pdfsmanualsguides*

grade 11 electrical technology caps exam papers

**grammar and composition handbook grade 8 answers**

**genetic analysis an integrated approach sanders**

grimaldi discrete and combinatorial mathematics solutions manual

*grabovoi numbers for business pdf*

### **Composite Drawing In Engineering :**

**fragments post traumatiques document by benjamin vial - Mar 29 2022**

web 2 fragments post traumatiques document 2023 04 18 influential work that laid the foundation for many of the field s continuing advances this volume remains an



[fragments post traumatiques document french edition](#) - Sep 22 2021

**fragments post traumatiques document ebook** - Feb 08 2023

web syndrome de stress post traumatique trouble anxieux majeur consécutif à un traumatisme psychique intense lié à un événement d'une extrême gravité catastrophe naturelle

*fragments a post traumatic paradigm kindle edition* - Nov 24 2021

web nov 9 2017 buy fragments post traumatiques document french edition read kindle store reviews amazon com

*fragments post traumatiques document french edition* - Jun 12 2023

web nov 9 2017 amazon com fragments post traumatiques document french edition 9782841868704 vial benjamin crépon marc manoeuvre philippe books

**fragments post traumatiques document pdf domainlookup org** - Aug 14 2023

web mar 26 2023 fragments post traumatiques document is available in our digital library an online access to it is set as public so you can get it instantly our book servers hosts

[fragments post traumatiques document pdf icapro](#) - Jul 01 2022

web may 2 2023 fragments post traumatiques document 2 9 downloaded from uniport edu ng on may 2 2023 by guest procedures in pre and postoperative plannin

*définitions post traumatique dictionnaire de français larousse* - Dec 06 2022

web it is your unquestionably own mature to affect reviewing habit accompanied by guides you could enjoy now is fragments post traumatiques document below fragments post

*why we only remember fragments of traumatic* - Jan 07 2023

web fragments post traumatiques document book review unveiling the power of words in a global driven by information and connectivity the ability of words has been much more

*fragments post traumatiques document* - Nov 05 2022

web apr 3 2023 just checking out a book fragments post traumatiques document pdf then it is not directly done you could resign yourself to even more on the subject of this life

[post traumatique définition simple et facile du dictionnaire](#) - Oct 24 2021

[fragments post traumatiques document uniport edu ng](#) - Apr 29 2022

web jul 21 2023 april 12th 2020 fragments post traumatiques benjamin vial marc crépon michalon eds des milliers de livres avec la livraison chez vous en 1 jour ou en magasin

**fragments post traumatiques document by benjamin vial** - Feb 25 2022

web apr 17 2023 fragments post traumatiques document 2 11 downloaded from uniport edu ng on april 17 2023 by guest neuropathologists and basic scientists in

**fragments post traumatiques document pdf copy** - Jul 13 2023

web title fragments post traumatiques document pdf copy digitalworkgroup skidmore edu created date 9 9 2023 4 51 24 pm

fragments post traumatiques vie continue abebooks - May 11 2023

web fragments post traumatiques vie continue by vial benjamin at abebooks co uk isbn 10 2841868702 isbn 13 9782841868704 michalon 2017 softcover

**fragments post traumatiques document wrbb neu edu** - Oct 04 2022

web fragments post traumatiques document pdf as recognized adventure as competently as experience more or less lesson amusement as without difficulty as conformity can

**fragments post traumatiques document french edition vial** - Apr 10 2023

web fragments post traumatiques document french edition vial benjamin on amazon com au free shipping on eligible orders fragments post traumatiques

fragments post traumatiques document uniport edu ng - Dec 26 2021

web définition post traumatique adjectif sens 1 psychologie qui intervient qui se développe ou qui se produit à la suite d un traumatisme psychologique et qui caractérise

**fragments post traumatiques document pdf 2023** - Sep 03 2022

web pronouncement fragments post traumatiques document pdf can be one of the options to accompany you in the same way as having extra time it will not waste your time bow

*fragments post traumatiques document* - Jan 27 2022

web jun 16 2019 k d roche preferred pronouns they them theirs is a nationally recognized speaker author and human trafficking field expert having lived through a parent s

*fragments post traumatiques document pdf full pdf* - Aug 02 2022

web fragments post traumatiques document pdf upload arnold x paterson 2 10 downloaded from black ortax org on september 2 2023 by arnold x paterson someone who appears

**fragments post traumatiques document pdf free black ortax** - May 31 2022

web jun 6 2023 skillfully as search for them in the course of them is this fragments post traumatiques document by benjamin vial that can be your collaborator

*fragments post traumatiques document by benjamin vial* - Mar 09 2023

web jun 18 2023 fragments post traumatiques document by benjamin vial but end up in dangerous downloads this fragments post traumatiques document

**latin themes for soprano recorder schott music com** - Jun 03 2023

web max charles davies adam hay latin themes for soprano recorder buying sheet music and downloads from schott music

latin themes for soprano recorder reverb - Aug 05 2023

web 12 vibrant themes with latin flavor and spirit play along with these rhythmic melodies with cd backing tracks supplied by an authentic live latin band the piano accompaniments

**latin themes for soprano recorder sheet music plus** - Apr 01 2023

web soprano recorder recorder easy to intermediate sku hl 49017057 12 vibrant themes with latin flavour and spirit arranged by max charles davies this edition

**sheet music latin themes for soprano recorder cd** - Feb 28 2023

web 20 10 12 vibrant themes with latin flavour and spirit instrumentation soprano recorder version edition with cd description play along with authentic backing tracks in this

**buy latin themes for soprano recorder 12 vibrant themes with** - Nov 27 2022

web amazon in buy latin themes for soprano recorder 12 vibrant themes with latin flavour and spirit book online at best prices in india on amazon in read latin themes

**latin themes for soprano recorder 12 vibrant them pdf** - Dec 17 2021

web 4 latin themes for soprano recorder 12 vibrant them 2022 02 09 year in which they were written so that you can get a feel for the different styles of music through time

*the bald soprano themes shmoop* - Feb 16 2022

web in depth explanations of the bald soprano s themes free fun and packed with easy to understand explanations

*latin themes for soprano recorder by max charles davies* - Dec 29 2022

web 12 vibrant themes with latin flavor and spirit play along with these rhythmic melodies with cd backing tracks supplied by an authentic live latin band the piano accompaniments

*latin themes for soprano recorder 12 vibrant them 2013* - Aug 25 2022

web 2 latin themes for soprano recorder 12 vibrant them 2021 07 03 latin themes for soprano recorder 12 vibrant them downloaded from 2013 thecontemporaryaustin org

**latin themes for soprano recorder reverb** - Oct 07 2023

web latin themes for soprano recorder publisher schott credits author arr max charles davies book cd packs 12 vibrant themes with latin flavor and spirit play along with

*latin themes for soprano recorder 12 vibrant them pdf* - Apr 20 2022

web 2 latin themes for soprano recorder 12 vibrant them 2022 10 25 notes a beginner s guide to playing the recorder and a clear simple introduction to reading music includes

**9781847611307 latin themes for soprano recorder 12 vibrant** - Jul 24 2022

web latin themes for soprano recorder 12 vibrant themes with latin flavour and spirit sopran blockflöte ausgabe mit cd schott master play along series find all books

*latin themes for soprano recorder 12 vibrant themes with* - Jul 04 2023

web instrumental play along 12 vibrant themes with latin flavor and spirit play along with these rhythmic melodies with cd backing tracks supplied by an authentic live latin

**latin themes for soprano recorder presto music** - Jan 30 2023

web sheet music for latin themes for soprano recorder buy online descant recorder desc rec published by schott editor davies max charles

latin themes for soprano recorder audubon strings llc - Sep 25 2022

web latin themes for soprano recorder 12 vibrant themes with latin flavour and spirit arranged by max charles davies for soprano recorder schott master play along

**latin themes for soprano recorder 12 vibrant themes with** - Jun 22 2022

web teachers latin themes for soprano recorder 12 vibrant themes with recorder albums with backing tracks just flutes latin themes for soprano recorder books latin themes

latin themes for soprano recorder 12 vibrant themes with - May 22 2022

web latin themes for soprano recorder 12 vibrant themes with latin flavour and spirit sopran blockflöte ausgabe mit cd schott master play along series by max charles

*latin themes for soprano recorder 12 vibrant themes with* - Sep 06 2023

web latin themes for soprano recorder 12 vibrant themes with latin flavour and spirit davies max charles amazon co uk books *the bald soprano themes enotes com* - Mar 20 2022

web nov 5 2023 the bald soprano has been often said to deal with the tragedy of language indeed the disintegration of language is one of the main themes of this play the bald

**latin themes for soprano recorder by max charles davies alibris** - Oct 27 2022

web instrumental play along 12 vibrant themes with latin flavor and spirit play along with these rhythmic melodies with cd backing tracks supplied by an authentic live latin

**quora a place to share knowledge and better understand the world** - Jan 18 2022

web we would like to show you a description here but the site won't allow us

*latin themes for soprano recorder 12 vibrant themes with* - May 02 2023

web buy latin themes for soprano recorder 12 vibrant themes with latin flavour and spirit by davies max charles online on amazon ae at best prices fast and free

*engineering mechanics statics 3rd edition quizlet* - Feb 08 2023

web jan 1 1995 engineering mechanics statics 3rd edition by pytel andrew kiusalaas jaan 2009 hardcover david j mcgill wilton w king on amazon com free shipping on qualifying offers engineering mechanics statics 3rd edition by pytel andrew

**engineering mechanics statics 3rd edition textbooks com** - Jul 01 2022

web engineering mechanics statics 3rd edition solution manual pytel kiusalaas download 1 4 2 4 engineering mechanics statics 3rd edition solution manual pytel kiusalaas download 3 4 engineering mechanics statics 3rd ed andrew pytel jaan

[engineering mechanics statics pytel andrew archive org](#) - Jan 07 2023

web engineering mechanics statics si edition third edition volume 1 andrew pytel jaan kiusalaas ishan sharma z lib org 1

[engineering mechanics statics dynamics pytel andrew](#) - May 11 2023

web engineering mechanics statics dynamics by pytel andrew kiusalaas jaan publication date 1994 topics statics dynamics mechanics applied publisher new york ny harpercollins college publishers

[engineering mechanics statics 3rd edition amazon com](#) - Mar 09 2023

web engineering mechanics statics pytel andrew free download borrow and streaming internet archive engineering mechanics statics by pytel andrew publication date 1999 topics statics mechanics applied publisher pacific grove brooks cole collection

**engineering mechanics statics si version andrew pytel jaan** - Nov 24 2021

web apago pdf enhancer study guide to accompany pytel and kiusalaas engineering mechanics statics third edition j l pytel and a pytel 2010 the goals of this study guide are two fold the goals of this study guide are two fold

[engineering mechanics statics si edition andrew pytel jaan](#) - Oct 04 2022

web exercise 24 at quizlet we're giving you the tools you need to take on any subject without having to carry around solutions manuals or printing out pdfs now with expert verified solutions from engineering mechanics statics 3rd edition you'll learn how to solve

**engineering mechanics dynamics 3rd edition powell s books** - Feb 25 2022

web engineering mechanics statics 3rd edition solution manual pytel kiusalaas download 3 4 engineering mechanics statics 3rd ed andrew pytel jaan kiusalaas anexo b free download as pdf file pdf text file txt or read engineering mechanics

[engineering mechanics statics activate learning with these](#) - Jan 27 2022

web jan 1 2010 the third edition of engineering mechanics statics written by nationally regarded authors andrew pytel and jaan kiusalaas provides students with solid coverage of material without the overload of extraneous detail

*engineering mechanics statics 3rd edition by andrew pytel* - Sep 03 2022

web the third edition of engineering mechanics statics written by nationally regarded authors andrew pytel and jaan kiusalaas provides students with solid coverage of material without the overload of extraneous detail

engineering mechanics statics 3rd edition solution manual - Dec 26 2021

web jan 1 2016 andrew pytel jaan kiusalaas cengage learning jan 1 2016 technology engineering 608 pages engineering mechanics statics 4e written by authors andrew pytel and jaan kiusalaas provides readers with a solid understanding of **engineering mechanics statics 3rd edition by pytel andrew** - Dec 06 2022

web 0 reviews reviews aren't verified but google checks for and removes fake content when it's identified engineering mechanics statics 4e written by authors andrew pytel and jaan kiusalaas provides readers with a solid understanding of statics without the

**engineering mechanics statics third edition** - Apr 10 2023

web our resource for engineering mechanics statics includes answers to chapter exercises as well as detailed information to walk you through the process step by step with expert solutions for thousands of practice problems you can take the guesswork out of studying

engineering mechanics statics si edition third edition volume - Nov 05 2022

web a section of a piping system is acted on by the three couples shown in fig a determine the magnitude of the resultant couple vector  $c_r$  and its direction cosines given that the magnitudes of the applied couples are  $c_1 = 50 \text{ n m}$   $c_2 = 90 \text{ n m}$  and  $c_3 = 140 \text{ n m}$

*engineering mechanics statics 3rd edition solution manual pytel* - Apr 29 2022

web nationally regarded authors andrew pytel and jaan kiusalaas bring a depth of experience that can't be surpassed in this third edition of engineering mechanics dynamics they have refined their solid coverage of the material without overloading it with extraneous

**engineering mechanics statics 3rd ed andrew pytel jaan** - Jun 12 2023

web dec 1 2017 engineering mechanics statics 3rd ed andrew pytel jaan kiusalaas 1 free download pdf december 1 2017 author cristina marie pegasar alfaro category engineering mechanics

*engineering mechanics statics andrew pytel jaan* - Aug 14 2023

web mar 6 2009 engineering mechanics statics the third edition of engineering mechanics statics written by nationally regarded authors andrew pytel and jaan kiusalaas provides students with

**engineering mechanics statics 3rd edition quizlet** - Aug 02 2022

web mar 20 2019 engineering mechanics statics 3rd edition andrew pytel chipollo 20 marzo 2019 ingenieria mecánica statics and dynamics are basic subjects in the general field known as engineering mechanics at the risk of oversimplifying engineering

engineering mechanics statics 3rd edition andrew pytel - May 31 2022

web engineering mechanics statics 122 solved problems question 3 6 the force system shown consists of the couple  $c$  and four forces if the resultant of this system is a 500 lb in counterclockwise couple determine  $p$   $q$  and  $c$  question 10 3 the

*engineering mechanics statics andrew pytel jaan kiusalaas* - Jul 13 2023

web jan 1 2016 engineering mechanics statics 4e written by authors andrew pytel and jaan kiusalaas provides readers with a solid understanding of statics without the overload of extraneous detail the

**engineering mechanics statics 3rd edition by andrew pytel jaan** - Mar 29 2022

web jan 1 2016 engineering mechanics statics activate learning with these new titles from engineering pytel andrew kiusalaas jaan 9781305501607 amazon com books books

engineering mechanics statics si edition google books - Oct 24 2021

*engineering mechanics statics si edition third edition* - Sep 22 2021