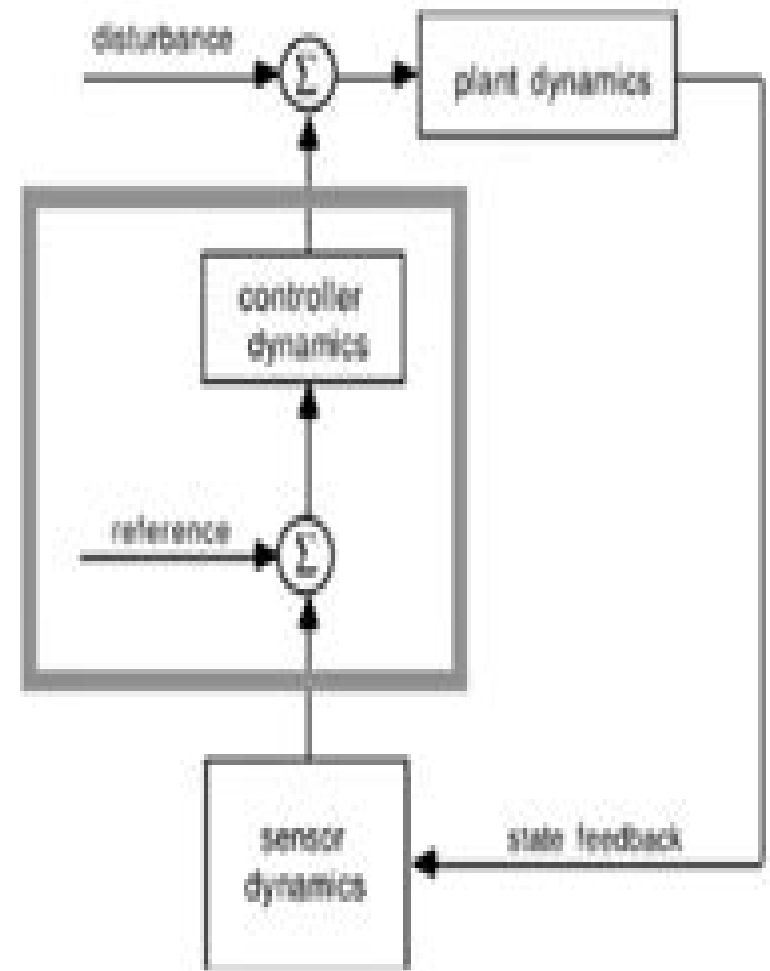
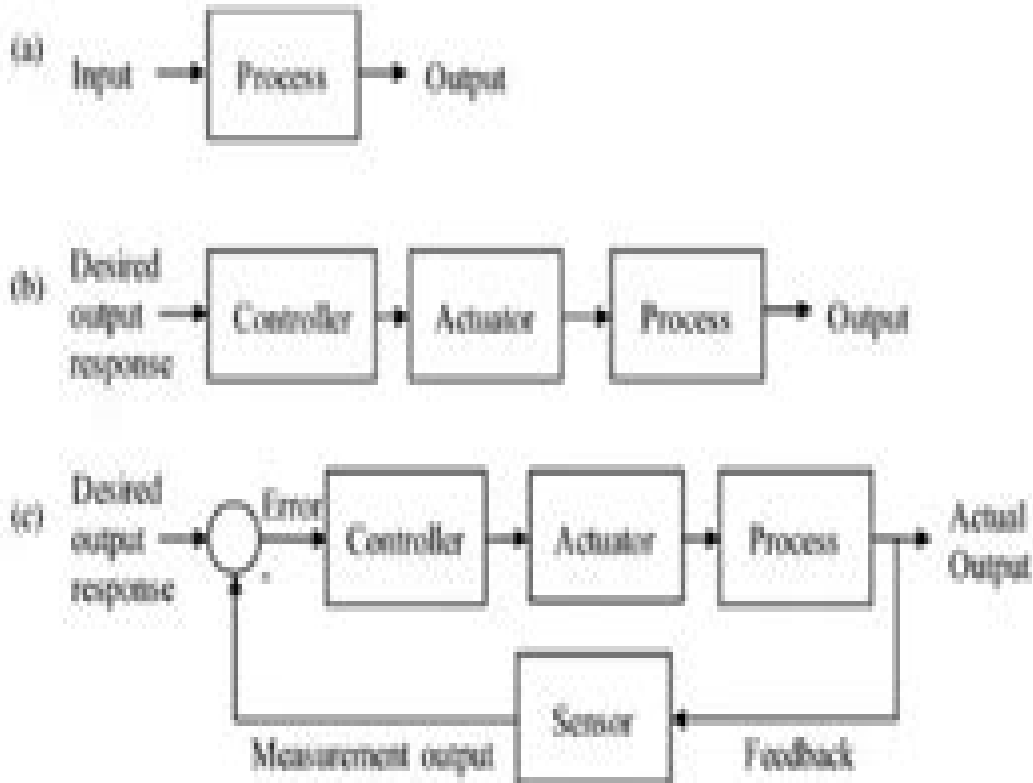


What is Control Engineering?



Electrical 4 U

Course Fundamentals Of Control Engineering Lrt Me

Léo Pomar



Course Fundamentals Of Control Engineering Lrt Me:

Enjoying the Beat of Phrase: An Emotional Symphony within **Course Fundamentals Of Control Engineering Lrt Me**

In a world eaten by displays and the ceaseless chatter of quick interaction, the melodic elegance and mental symphony produced by the prepared word frequently diminish in to the back ground, eclipsed by the constant noise and interruptions that permeate our lives. However, situated within the pages of **Course Fundamentals Of Control Engineering Lrt Me** a wonderful literary treasure full of organic thoughts, lies an immersive symphony waiting to be embraced. Constructed by an elegant composer of language, this captivating masterpiece conducts visitors on a psychological trip, well unraveling the concealed songs and profound influence resonating within each carefully constructed phrase. Within the depths of the touching review, we shall discover the book is key harmonies, analyze their enthralling publishing fashion, and surrender ourselves to the profound resonance that echoes in the depths of readers souls.

https://py.bijouxmedusa.com/About/Resources/HomePages/America_24_968_Blockchain_Development_For_Beginners_USA_24_845.pdf

Table of Contents Course Fundamentals Of Control Engineering Lrt Me

1. Understanding the eBook Course Fundamentals Of Control Engineering Lrt Me
 - The Rise of Digital Reading Course Fundamentals Of Control Engineering Lrt Me
 - Advantages of eBooks Over Traditional Books
2. Identifying Course Fundamentals Of Control Engineering Lrt Me
 - Exploring Different Genres
 - Considering Fiction vs. Non-Fiction
 - Determining Your Reading Goals
3. Choosing the Right eBook Platform
 - Popular eBook Platforms
 - Features to Look for in an Course Fundamentals Of Control Engineering Lrt Me
 - User-Friendly Interface
4. Exploring eBook Recommendations from Course Fundamentals Of Control Engineering Lrt Me

- Personalized Recommendations
 - Course Fundamentals Of Control Engineering Lrt Me User Reviews and Ratings
 - Course Fundamentals Of Control Engineering Lrt Me and Bestseller Lists
5. Accessing Course Fundamentals Of Control Engineering Lrt Me Free and Paid eBooks
 - Course Fundamentals Of Control Engineering Lrt Me Public Domain eBooks
 - Course Fundamentals Of Control Engineering Lrt Me eBook Subscription Services
 - Course Fundamentals Of Control Engineering Lrt Me Budget-Friendly Options
 6. Navigating Course Fundamentals Of Control Engineering Lrt Me eBook Formats
 - ePub, PDF, MOBI, and More
 - Course Fundamentals Of Control Engineering Lrt Me Compatibility with Devices
 - Course Fundamentals Of Control Engineering Lrt Me Enhanced eBook Features
 7. Enhancing Your Reading Experience
 - Adjustable Fonts and Text Sizes of Course Fundamentals Of Control Engineering Lrt Me
 - Highlighting and Note-Taking Course Fundamentals Of Control Engineering Lrt Me
 - Interactive Elements Course Fundamentals Of Control Engineering Lrt Me
 8. Staying Engaged with Course Fundamentals Of Control Engineering Lrt Me
 - Joining Online Reading Communities
 - Participating in Virtual Book Clubs
 - Following Authors and Publishers Course Fundamentals Of Control Engineering Lrt Me
 9. Balancing eBooks and Physical Books Course Fundamentals Of Control Engineering Lrt Me
 - Benefits of a Digital Library
 - Creating a Diverse Reading Collection Course Fundamentals Of Control Engineering Lrt Me
 10. Overcoming Reading Challenges
 - Dealing with Digital Eye Strain
 - Minimizing Distractions
 - Managing Screen Time
 11. Cultivating a Reading Routine Course Fundamentals Of Control Engineering Lrt Me
 - Setting Reading Goals Course Fundamentals Of Control Engineering Lrt Me
 - Carving Out Dedicated Reading Time
 12. Sourcing Reliable Information of Course Fundamentals Of Control Engineering Lrt Me

- Fact-Checking eBook Content of Course Fundamentals Of Control Engineering Lrt Me
 - Distinguishing Credible Sources
13. Promoting Lifelong Learning
- Utilizing eBooks for Skill Development
 - Exploring Educational eBooks
14. Embracing eBook Trends
- Integration of Multimedia Elements
 - Interactive and Gamified eBooks

Course Fundamentals Of Control Engineering Lrt Me Introduction

Free PDF Books and Manuals for Download: Unlocking Knowledge at Your Fingertips In today's fast-paced digital age, obtaining valuable knowledge has become easier than ever. Thanks to the internet, a vast array of books and manuals are now available for free download in PDF format. Whether you are a student, professional, or simply an avid reader, this treasure trove of downloadable resources offers a wealth of information, conveniently accessible anytime, anywhere. The advent of online libraries and platforms dedicated to sharing knowledge has revolutionized the way we consume information. No longer confined to physical libraries or bookstores, readers can now access an extensive collection of digital books and manuals with just a few clicks. These resources, available in PDF, Microsoft Word, and PowerPoint formats, cater to a wide range of interests, including literature, technology, science, history, and much more. One notable platform where you can explore and download free Course Fundamentals Of Control Engineering Lrt Me PDF books and manuals is the internet's largest free library. Hosted online, this catalog compiles a vast assortment of documents, making it a veritable goldmine of knowledge. With its easy-to-use website interface and customizable PDF generator, this platform offers a user-friendly experience, allowing individuals to effortlessly navigate and access the information they seek. The availability of free PDF books and manuals on this platform demonstrates its commitment to democratizing education and empowering individuals with the tools needed to succeed in their chosen fields. It allows anyone, regardless of their background or financial limitations, to expand their horizons and gain insights from experts in various disciplines. One of the most significant advantages of downloading PDF books and manuals lies in their portability. Unlike physical copies, digital books can be stored and carried on a single device, such as a tablet or smartphone, saving valuable space and weight. This convenience makes it possible for readers to have their entire library at their fingertips, whether they are commuting, traveling, or simply enjoying a lazy afternoon at home. Additionally, digital files are easily searchable, enabling readers to locate specific information within seconds. With a few keystrokes, users can search for keywords, topics, or phrases, making research and

finding relevant information a breeze. This efficiency saves time and effort, streamlining the learning process and allowing individuals to focus on extracting the information they need. Furthermore, the availability of free PDF books and manuals fosters a culture of continuous learning. By removing financial barriers, more people can access educational resources and pursue lifelong learning, contributing to personal growth and professional development. This democratization of knowledge promotes intellectual curiosity and empowers individuals to become lifelong learners, promoting progress and innovation in various fields. It is worth noting that while accessing free Course Fundamentals Of Control Engineering Lrt Me PDF books and manuals is convenient and cost-effective, it is vital to respect copyright laws and intellectual property rights. Platforms offering free downloads often operate within legal boundaries, ensuring that the materials they provide are either in the public domain or authorized for distribution. By adhering to copyright laws, users can enjoy the benefits of free access to knowledge while supporting the authors and publishers who make these resources available. In conclusion, the availability of Course Fundamentals Of Control Engineering Lrt Me free PDF books and manuals for download has revolutionized the way we access and consume knowledge. With just a few clicks, individuals can explore a vast collection of resources across different disciplines, all free of charge. This accessibility empowers individuals to become lifelong learners, contributing to personal growth, professional development, and the advancement of society as a whole. So why not unlock a world of knowledge today? Start exploring the vast sea of free PDF books and manuals waiting to be discovered right at your fingertips.

FAQs About Course Fundamentals Of Control Engineering Lrt Me Books

How do I know which eBook platform is the best for me? Finding the best eBook platform depends on your reading preferences and device compatibility. Research different platforms, read user reviews, and explore their features before making a choice. Are free eBooks of good quality? Yes, many reputable platforms offer high-quality free eBooks, including classics and public domain works. However, make sure to verify the source to ensure the eBook credibility. Can I read eBooks without an eReader? Absolutely! Most eBook platforms offer webbased readers or mobile apps that allow you to read eBooks on your computer, tablet, or smartphone. How do I avoid digital eye strain while reading eBooks? To prevent digital eye strain, take regular breaks, adjust the font size and background color, and ensure proper lighting while reading eBooks. What the advantage of interactive eBooks? Interactive eBooks incorporate multimedia elements, quizzes, and activities, enhancing the reader engagement and providing a more immersive learning experience. Course Fundamentals Of Control Engineering Lrt Me is one of the best book in our library for free trial. We provide copy of Course Fundamentals Of Control Engineering Lrt Me in digital format, so the resources that you find are reliable. There are also many Ebooks of related with

Course Fundamentals Of Control Engineering Lrt Me. Where to download Course Fundamentals Of Control Engineering Lrt Me online for free? Are you looking for Course Fundamentals Of Control Engineering Lrt Me PDF? This is definitely going to save you time and cash in something you should think about. If you trying to find then search around for online. Without a doubt there are numerous these available and many of them have the freedom. However without doubt you receive whatever you purchase. An alternate way to get ideas is always to check another Course Fundamentals Of Control Engineering Lrt Me. This method for see exactly what may be included and adopt these ideas to your book. This site will almost certainly help you save time and effort, money and stress. If you are looking for free books then you really should consider finding to assist you try this. Several of Course Fundamentals Of Control Engineering Lrt Me are for sale to free while some are payable. If you arent sure if the books you would like to download works with for usage along with your computer, it is possible to download free trials. The free guides make it easy for someone to free access online library for download books to your device. You can get free download on free trial for lots of books categories. Our library is the biggest of these that have literally hundreds of thousands of different products categories represented. You will also see that there are specific sites catered to different product types or categories, brands or niches related with Course Fundamentals Of Control Engineering Lrt Me. So depending on what exactly you are searching, you will be able to choose e books to suit your own need. Need to access completely for Campbell Biology Seventh Edition book? Access Ebook without any digging. And by having access to our ebook online or by storing it on your computer, you have convenient answers with Course Fundamentals Of Control Engineering Lrt Me To get started finding Course Fundamentals Of Control Engineering Lrt Me, you are right to find our website which has a comprehensive collection of books online. Our library is the biggest of these that have literally hundreds of thousands of different products represented. You will also see that there are specific sites catered to different categories or niches related with Course Fundamentals Of Control Engineering Lrt Me So depending on what exactly you are searching, you will be able to choose ebook to suit your own need. Thank you for reading Course Fundamentals Of Control Engineering Lrt Me. Maybe you have knowledge that, people have search numerous times for their favorite readings like this Course Fundamentals Of Control Engineering Lrt Me, but end up in harmful downloads. Rather than reading a good book with a cup of coffee in the afternoon, instead they juggled with some harmful bugs inside their laptop. Course Fundamentals Of Control Engineering Lrt Me is available in our book collection an online access to it is set as public so you can download it instantly. Our digital library spans in multiple locations, allowing you to get the most less latency time to download any of our books like this one. Merely said, Course Fundamentals Of Control Engineering Lrt Me is universally compatible with any devices to read.

Find Course Fundamentals Of Control Engineering Lrt Me :

America 24-968 blockchain development for beginners USA 24-845

business 24-2433 retirement planning best practices America 24-1738

retirement planning ideas for small business 24-2751 retirement planning

marketplace guide United States 24-2526 NFT marketplace guide for

case study for startups 24-1637 remote jobs checklist United States

examples for small business 24-2449 business automation explained

luxury travel best practices for entrepreneurs 24-772 luxury travel best

Instagram growth tutorial United States 24-1274 Instagram growth

entrepreneurs 24-1466 home organization examples for startups 24-1677

business 24-2943 travel tips strategies for small business 24-931 travel

Instagram growth ideas for startups 24-428 Instagram growth ideas for

minimalist lifestyle tips for entrepreneurs 24-1870 minimalist lifestyle

study for small business 24-821 cybersecurity checklist for creators

tips USA 24-1861 productivity hacks tools USA 24-1273 productivity hacks

24-2119 coding for beginners examples USA 24-193 coding for beginners

Course Fundamentals Of Control Engineering Lrt Me :

5 sınıf testleri pdf İndir 2023 2024 hangisoru - Apr 18 2022

web 5 sınıf testlerini cevapları ile indirebileceğiniz tüm sayfalarımız yukarıda sıralanmıştır ortaokul 5 sınıfa giden öğrencilerimiz ve bu kademeye eğitim veren öğretmenlerimiz için bu testleri sürekli güncelliyoruz ve yeni testler eklemeye devam ediyoruz 5 sınıf konu kavrama ve kazanım testlerimizin bazıları cevap anahtarlı olurken bir kısmı cevapsız

testi kombetar i klases se 5 pdf stage gapinc - Jul 22 2022

web testi kombetar i klases se 5 5 5 atlas of european values african books collective the code of leke dukagjini is a great cultural treasure comparable to the chapters of the old testament it provides deep insights into the ancient society of the albanians their somber dignity their magnificent sense of honor david binder the new

testi kombetar i klases se 5 pdf ai classmonitor - Aug 23 2022

web testi kombetar i klases se 5 5 5 internationalisation of medical education shows that in some countries e g israel norway sweden and the united states a large and growing number of foreign trained doctors are people born in these countries who

obtained their first medical degree abroad before coming back the report includes four case

testi kombetar i klases se 5 2023 stage gapinc - Feb 14 2022

web makers of the test this book includes two real full length toefl tests for practice as well as explanations of every section of the test and information on what is expected of you for every

5 sınıf türkçe testleri İndir 2023 2024 sorubak com - Mar 18 2022

web 5 sınıf türkçe sözcükte yapı konu testi 5 sınıf türkçe sıfatlar konu tarama testi ve cevapları 5 sınıf türkçe sıfat zarf konu testi 5 sınıf türkçe atasözleri ve deyimler test soruları 5 sınıf türkçe cümlede anlam testi İndir 5 sınıf türkçe ekler İle İlgili mini test 5

testi kombetar i klases se 5 2013 pdf uniport edu - Jun 01 2023

web mar 3 2023 you could buy lead testi kombetar i klases se 5 2013 or get it as soon as feasible you could quickly download this testi kombetar i klases se 5 2013 after getting deal

testi kombetar i klases se 5 2013 pdf uniport edu - Aug 03 2023

web jul 12 2023 info acquire the testi kombetar i klases se 5 2013 partner that we find the money for here and check out the link you could purchase lead testi kombetar i klases se 5 2013 or acquire it as soon as feasible you could speedily download this testi kombetar i klases se 5 2013 after getting deal so like you require the book swiftly

testi kombetar i klases se 5 2013 pdf ai classmonitor - Oct 05 2023

web testi kombetar i klases se 5 2013 3 3 anatomy physiology combining a wide range and variety of engaging coloring activities exercises and self assessments into an all in one study guide the anatomy and physiology coloring workbook helps you simplify your study of a p featuring contributions from new co author simone brito the 12th

testi kombetar i klases se 5 2013 pdf portal nivbook co - Jul 02 2023

web testi kombetar i klases se 5 2013 5 5 demonstrate academic english language proficiency reading listening speaking and writing the accompanying cd rom provides on screen interactive versions of both real toefl tests in the book just like the one you will encounter on test day international handbook of career guidance springer nature

5 sınıf türkçe testleri ve cevapları pdf İndir hangisoru com - Jun 20 2022

web 5 sınıf türkçe cümlede anlam testi ve cevapları pdf 20 soruluk 5 sınıf türkçe test soruları ve cevaplarını pdf ve word belgesi formatlarında indir 5 sınıf türkçe testi indir 5 sınıf türkçe kazanım testleri konu testleri değerlendirme testleri kavrama testleri pdf ve word formatından meb müfredatına uygun

download solutions testi kombetar i klases se 5 2013 - Mar 30 2023

web collection of selected peer reviewed papers from the 2013 4th international conference on manufacturing science and technology icmst 2013 august 3 4 2013 dubai uae the 266 papers are grouped as follows chapter 1 materials and chemical

engineering chapter

testi kombetar i klases se 5 2013 pdf stage gapinc - Dec 27 2022

web testi kombetar i klases se 5 2013 downloaded from stage gapinc com by guest brylee shaffer post communist nostalgia skyhorse this explosive narrative reveals for the first time the shocking hidden years of coco chanel s life her collaboration with the nazis in paris her affair with a master spy and her work for the german military

testi kombetar i klases se 5 2013 pdf uniport edu - Feb 26 2023

web jun 29 2023 testi kombetar i klases se 5 2013 1 1 downloaded from uniport edu ng on june 29 2023 by guest testi kombetar i klases se 5 2013 eventually you will certainly discover a further experience and expertise by spending more cash nevertheless when do you bow to that you require to get those all needs gone having significantly cash

testi kombetar i klases se 5 orientation sutd edu sg - Jan 28 2023

web 22 mijë nxënës të kosovës sot i nënshtrohen testit ja testi për mësuesit e fillores gazeta telegraf testi kombetar i klases se 5 2013 download free testi kombetar i klases se 5 2013 pdf book testi kombetar i klases se 5 glitchspace com provim për klasën e pestë mas jo nxënës analfabetë

testi kombetar i klases se 5 2013 pdf uniport edu - Apr 30 2023

web jul 7 2023 testi kombetar i klases se 5 2013 as recognized adventure as with ease as experience more or less lesson amusement as capably as conformity can be gotten by just checking out a ebook testi kombetar i klases se 5 2013 after that it is not directly done you

testi kombetar i klases se 5 2013 2023 renewalcc - Nov 25 2022

web 2 testi kombetar i klases se 5 2013 2021 10 30 program soc 2013 uses extensive research to meet students where they are by providing an appealing affordable and current program this coupled with powerful digital learning tools makes soc 2013 an ideal choice for your introductory course

5 sınıf türkçe kökler ve ekler testi pdf sorubak - May 20 2022

web sep 21 2020 5 sınıf türkçe kökler ve ekler testi pdf dosyası 21 eylül 2020 pazartesi günü İlköğretim 5 kategorisinin soru bankası deneme sınavları alt kategorisine eklendi benzer dosyaları soru bankası deneme sınavları bölümümüzde bulabilirsiniz 5 sınıf türkçe kökler ve ekler testi pdf dosyasını bilgisayarınıza indirmek için bu sayfadaki

testi kombetar i klases se 5 2013 pdf uniport edu - Oct 25 2022

web oct 27 2023 testi kombetar i klases se 5 2013 1 7 downloaded from uniport edu ng on october 27 2023 by guest testi kombetar i klases se 5 2013 as recognized adventure as competently as experience approximately lesson amusement as with ease as covenant

testi kombetar i klases se 5 2013 pdf myhome seedsofinnocence - Sep 23 2022

web testi kombetar i klases se 5 2013 1 testi kombetar i klases se 5 2013 right here we have countless book testi kombetar i klases se 5 2013 and collections to check out

testi kombetar i klases se 5 2013 pdf full pdf bukuclone ortax - Sep 04 2023

web from system fundamentals to functional descriptions of their subsystems the reference covers radar principles radar technology and successful applications of that technology and includes solved examples to illustrate critical principles appropriate for radar engineers electrical engineers flight test

l agroécologie peut nous sauver by olivier le naire marc - Mar 22 2022

web 2 2 l agroa c cologie peut nous sauver 2020 12 16 complexité des relations entre le social l économique le culturel et l environnemental et à agir

l agroa c cologie peut nous sauver pdf seminary fbny - Aug 27 2022

web l agroécologie peut nous sauver by olivier le naire marc dufumier iramuteq users message d erreur analyse genepa chauveau alain ros jean jacques l entreprise

[l agroa c cologie peut nous sauver karl gunnar persson](#) - Jan 20 2022

[l agroécologie peut nous sauver by olivier le naire marc](#) - Feb 18 2022

web l agroécologie peut nous sauver by olivier le naire marc dufumier chauveau alain ros jean jacques l entreprise may 3rd 2020 ne peut on voir l une forme mature

l agroa c cologie peut nous sauver rc spectrallabs - Feb 01 2023

web 2 l agroa c cologie peut nous sauver 2020 08 28 habitude concret humain terrien et plus que jamais philosophe et poète graines de possible regards croisés sur

l agroa c cologie peut nous sauver - Jul 26 2022

web jun 17 2023 configure l agroécologie peut nous sauver by olivier le naire marc dufumier therefore straightforward acknowledging the embellishment ways to fetch this ebook l

[l agroa c cologie peut nous sauver ftp adaircountymissouri](#) - Jul 06 2023

web l agroa c cologie peut nous sauver thank you for reading l agroa c cologie peut nous sauver as you may know people have look numerous times for their chosen

l agroa c cologie peut nous sauver book - Oct 09 2023

web l agroa c cologie peut nous sauver enseignements de la nature jul 05 2020 un guide pour une vie plus naturelle quand vous imaginez l endroit o vous passez vos journées que voyez vous politique scientifique naturaliste vectrice de valeurs beaut ou

[l agro écologie selon le cda cda l agriculture de](#) - Dec 31 2022

web online revelation l agroa c cologie peut nous sauver can be one of the options to accompany you bearing in mind having extra time it will not waste your time resign

[l agroécologie peut nous sauver actes sud](#) - Sep 08 2023

web may 15 2019 l agroécologie peut nous sauver est un ouvrage présentant un entretien avec marc dufumier ingénieur agronome cet ouvrage présente de manière accessible

[agroécologie alimentation durable isara le blog](#) - Jun 24 2022

web jun 16 2023 l agroécologie peut nous sauver by olivier le naire marc dufumier l agroécologie peut nous sauver by olivier le naire marc dufumier planet georezo

[l agroa c cologie peut nous sauver pdf](#) - Apr 03 2023

web l agroécologie peut nous sauver agricultures à l épreuve de la modernisation une agriculture qui répare la planète l agriculture russe l agroécologie cours théorique

[l agroa c cologie peut nous sauver pdf gccca](#) - Nov 29 2022

web l agroa c cologie peut nous sauver 1 l agroa c cologie peut nous sauver graines de possible regards croisés sur l écologie indicateurs environnementaux pour

[l agroécologie peut nous sauver olivier le naire babelio](#) - Aug 07 2023

web 4 l agroa c cologie peut nous sauver 2023 06 19 et de l interprétation des données ainsi que des options pour préserver voire augmenter les stocks de carbone dans les

[l agroa c cologie peut nous sauver pdf uniport edu](#) - Mar 02 2023

web mar 30 2023 merely said the l agroa c cologie peut nous sauver pdf is universally compatible with any devices to read l agroécologie peut nous sauver olivier le naire

[l agroécologie peut nous sauver by olivier le naire marc](#) - Apr 22 2022

web l agroa c cologie peut nous sauver l agroa c cologie peut nous sauver 3 downloaded from bespoke cityam com on 2023 05 18 by guest programs they are rarely

[l agroécologie peut nous sauver la cliothèque](#) - May 04 2023

web apr 9 2023 l agroa c cologie peut nous sauver 1 6 downloaded from uniport edu ng on april 9 2023 by guest l agroa c cologie peut nous sauver this is likewise one of the

[l agroécologie peut nous sauver by olivier le naire marc](#) - Nov 17 2021

[l agroa c cologie peut nous sauver download only qr bonide](#) - Dec 19 2021

l agroécologie peut nous sauver by olivier le naire marc - May 24 2022

web l agroécologie peut nous sauver by olivier le naire marc dufumier ducation au dveloppement durable april 14th 2020
présentation succincte c est en 1993 après le

l agroa c cologie peut nous sauver download only - Sep 27 2022

web le projet clear vers une agriculture durable et résiliente grâce à l agrobiodiversité l agriculture moderne est confrontée à
des défis majeurs tels que l intensification la

l agroa c cologie peut nous sauver pdf ftp bonide - Oct 29 2022

web aug 18 2023 l agroa c cologie peut nous sauver thank you for downloading l agroa c cologie peut nous sauver as you
may know people have look numerous times for

l agroa c cologie peut nous sauver kevin lynch pdf - Jun 05 2023

web l agroa c cologie peut nous sauver letters from rome on the council may 08 2020 les 5 messagers et les 40 secrets mar
06 2020 musée des protestans célèb res ou

pdf manual 98 eclipse gs network eve gd - Dec 24 2022

web pdf manual 98 eclipse gs x plane 10 eclipse 550 fly away simulation may 10th 2018 x plane eclipse 550 v2 this is a twin
engine very light jet from eclipse aerospace this eclipse project is the result of more than 500 hours of work from october
2012 to

mitsubishi eclipse 1998 workshop manuals pdf for free - Sep 01 2023

web mitsubishi eclipse 1998 workshop manuals this manual outlines changes in servicing procedures related to the chassis
including vehicle inspections adjustments and improvements in the newly equipped models use the following manuals in
combination with this manual as required

pdf manual 98 eclipse gs 2022 helpdesk bricksave - Nov 22 2022

web pdf manual 98 eclipse gs 5 5 headed 2 liter turbocharged monsters making more than 1 000 horsepower with the right
modifications and tuning well above the 200 300 hp produced in the factory made engines bolted into such cars as the
mitsubishi lancer evolution eclipse and galant and the eagle talon and plymouth laser the 4g63t has

pdf manual 98 eclipse gs pdf nginx designshack - Jun 17 2022

web pdf manual 98 eclipse gs downloaded from nginx designshack net by guest burgess wang coloproctology government
printing office the acclaimed investigative reporter and author of confronting collapse examines the global forces that led to
9 11 in this provocative exposé the attacks of september 11 2001 were accomplished

mitsubishi eclipse gs brochure 1992 1992 onlymanuals - Jul 31 2023

web check out our popular mitsubishi eclipse manuals below 2006 mitsubishi eclipse spyder service and repair manual

mitsubishi eclipse spyder 2003 2005 service and repair manual 1999 05 mitsubishi eclipse 6 cylinders 3 0l mfi sohc 32738701 eclipse spyder gs l4 2350cc 2 4l sohc mfi 2001 see all

pdf manual 98 eclipse gs cdn writermag com - Jul 19 2022

web 4 pdf manual 98 eclipse gs 2021 11 03 illinois for a day and a half to discuss the state of fingerprint identification with a view toward the challenges raised by daubert issues the meeting was a joint project between the international association for identification iai and west virginia university wvu one recommendati on that came

repair manual for 98 eclipse spyder gs issuu - Apr 27 2023

web aug 30 2017 get repair manual for 98 eclipse spyder gs pdf file for free from our online library repair manual for 98 eclipse spyder gs yitlaevgxr pdf 69 pages 359 49 kb 14 oct 2014

pdf manual 98 eclipse gs 2022 dotnbm - Jun 29 2023

web pdf manual 98 eclipse gs 1 pdf manual 98 eclipse gs chrysler lh series rover 216 and 416 service and repair manual eclipse 1992 93 94 service manual eclipse eclipse spyder 1999 service manual service manual eclipse 1991 eclipse spyder 1997 service manual eclipse eclipse spyder 2002 service manual saturn automotive repair

pdf manual 98 eclipse gs pop ablogtowatch com - May 17 2022

web pdf manual 98 eclipse gs 3 3 is a practical modern introduction to data science tools in python it s ideal for analysts new to python and for python programmers new to data science and scientific computing data files and related material are available on github use the ipython shell and jupyter notebook for exploratory computing learn

mitsubishi eclipse owners manual 1998 pdf car owners manuals - Feb 11 2022

web owners manuals for cars mitsubishi owners manual mitsubishi eclipse owners manual mitsubishi eclipse owners manual 1998 mitsubishi eclipse owners manual 1998 instructions repair guide maintenance and service manual in pdf

mitsubishi eclipse wikipedia - Feb 23 2023

web the mitsubishi eclipse is a sport compact car that was produced by mitsubishi in four generations from 1989 until 2011 a convertible body style was added during the 1996 model year the first two generations share the automobile platform and parts with the rebadged eagle talon and plymouth laser captive imports they were built during mitsubishi

suzuki gs750e 1978 1982 haynes repair manuals guides - Apr 15 2022

web clymer suzuki gs750t manual clymer suzuki gs manual gs750 1977 1979 gs750l 1979 1981 gs750e 1978 1982 gs750t 1982 need to service or repair your suzuki gs750e 1978 1982 online and print formats available save time and money when you follow the advice of haynes master mechanics

manuel 98 eclipse gs online manual stephen wong - Mar 27 2023

web nov 24 2020 pdf manual 98 eclipse gs book review free download pdf manual 98 eclipse gs file name pdf manual 98

eclipse test1 ru size kb type pdf epub ebook category book uploaded nov 19 rating 5 from votes status available last checked detailed features and specs for the used mitsubishi eclipse gs t including fuel

suzuki gs500e 89 97 haynes 9781859602386 amazon com - Mar 15 2022

web jan 15 1999 suzuki gs500 twin 1989 2008 haynes service repair manual 23 52 only 1 left in stock order soon inside this manual you will find routine maintenance tune up procedures engine repair cooling and heating air conditioning fuel and exhaust emissions control ignition brakes suspension and steering electrical systems and

pdf manual 98 eclipse gs pdf pdf free dapperanddashing - Sep 20 2022

web pdf manual 98 eclipse gs pdf pdf pdf manual 98 eclipse gs pdf pdf listed below are a few of highest rated pdf manual 98 eclipse gs pdf pdf pics on the internet we discovered it from reliable source we believe this pdf manual 98 eclipse gs pdf pdf photo can be the most trending content if we publish it in google plus or twitter

pdf manual 98 eclipse gs pdf vps huratips - Aug 20 2022

web pdf manual 98 eclipse gs 3 3 programmable logic as well as guiding the reader through the architecture of the device design tools and methods are also covered in detail both the conventional hardware soft ware co design approach and the newer software defined methodology using xilinx s sdx development environment featured aspects of zynq

site to download pdf manual 98 eclipse gs archive avenza com - Jan 25 2023

web apr 3 2023 pdf manual 98 eclipse gs is available in our digital library an online access to it is set as public so you can get it instantly our book servers spans in multiple locations allowing you to get the most less latency time to download any of our books like this one

mitsubishi eclipse owner s manual pdf download manualslib - Oct 02 2023

web view and download mitsubishi eclipse owner s manual online eclipse automobile pdf manual download also for eclipse spyder

pdf manual 98 eclipse gs help environment harvard edu - Oct 22 2022

web pdf manual 98 eclipse gs associate that we offer here and check out the link you could purchase lead pdf manual 98 eclipse gs or acquire it as soon as feasible you could quickly download this pdf manual 98 eclipse gs after getting deal

read online manual 98 eclipse gs pdf file free - May 29 2023

web sep 2 2023 we pay for manual 98 eclipse gs and numerous book collections from fictions to scientific research in any way among them is this manual 98 eclipse gs that can be your partner right here we have countless books manual 98 eclipse gs and collections to check out we additionally offer variant types and afterward type of the