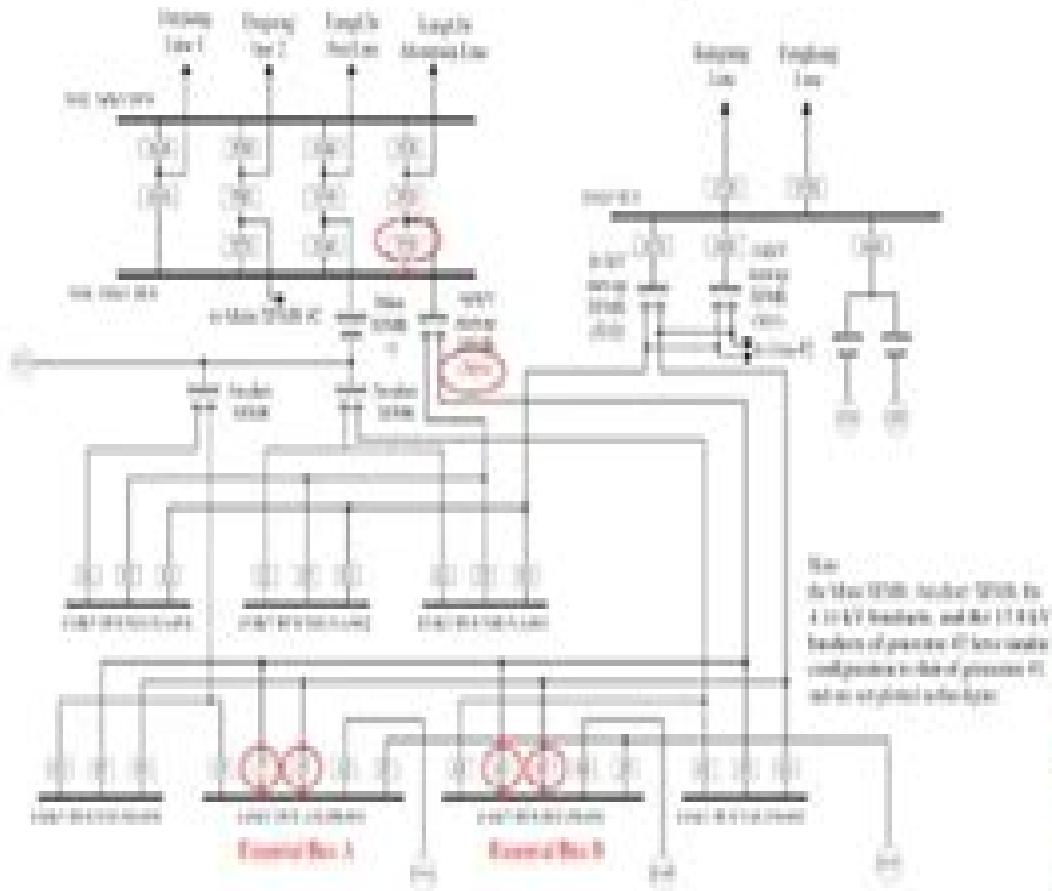


Power System Protection Systems



Basic connection diagram of protection relay



Electrical 4 U

Power Systems Protection Engineering Training Idc

**Leslie Hewitson, Mark Brown, Ramesh
Balakrishnan**



Power Systems Protection Engineering Training Idc:

Ignite the flame of optimism with Get Inspired by is motivational masterpiece, **Power Systems Protection Engineering Training Idc** . In a downloadable PDF format (*), this ebook is a beacon of encouragement. Download now and let the words propel you towards a brighter, more motivated tomorrow.

https://py.bijouxmedusa.com/About/Resources/fetch.php/kaedah_pengajaran_kemahiran_menulis_bahasa_arab_di.pdf

Table of Contents Power Systems Protection Engineering Training Idc

1. Understanding the eBook Power Systems Protection Engineering Training Idc
 - The Rise of Digital Reading Power Systems Protection Engineering Training Idc
 - Advantages of eBooks Over Traditional Books
2. Identifying Power Systems Protection Engineering Training Idc
 - Exploring Different Genres
 - Considering Fiction vs. Non-Fiction
 - Determining Your Reading Goals
3. Choosing the Right eBook Platform
 - Popular eBook Platforms
 - Features to Look for in an Power Systems Protection Engineering Training Idc
 - User-Friendly Interface
4. Exploring eBook Recommendations from Power Systems Protection Engineering Training Idc
 - Personalized Recommendations
 - Power Systems Protection Engineering Training Idc User Reviews and Ratings
 - Power Systems Protection Engineering Training Idc and Bestseller Lists
5. Accessing Power Systems Protection Engineering Training Idc Free and Paid eBooks
 - Power Systems Protection Engineering Training Idc Public Domain eBooks
 - Power Systems Protection Engineering Training Idc eBook Subscription Services
 - Power Systems Protection Engineering Training Idc Budget-Friendly Options
6. Navigating Power Systems Protection Engineering Training Idc eBook Formats

- ePub, PDF, MOBI, and More
 - Power Systems Protection Engineering Training Idc Compatibility with Devices
 - Power Systems Protection Engineering Training Idc Enhanced eBook Features
7. Enhancing Your Reading Experience
 - Adjustable Fonts and Text Sizes of Power Systems Protection Engineering Training Idc
 - Highlighting and Note-Taking Power Systems Protection Engineering Training Idc
 - Interactive Elements Power Systems Protection Engineering Training Idc
 8. Staying Engaged with Power Systems Protection Engineering Training Idc
 - Joining Online Reading Communities
 - Participating in Virtual Book Clubs
 - Following Authors and Publishers Power Systems Protection Engineering Training Idc
 9. Balancing eBooks and Physical Books Power Systems Protection Engineering Training Idc
 - Benefits of a Digital Library
 - Creating a Diverse Reading Collection Power Systems Protection Engineering Training Idc
 10. Overcoming Reading Challenges
 - Dealing with Digital Eye Strain
 - Minimizing Distractions
 - Managing Screen Time
 11. Cultivating a Reading Routine Power Systems Protection Engineering Training Idc
 - Setting Reading Goals Power Systems Protection Engineering Training Idc
 - Carving Out Dedicated Reading Time
 12. Sourcing Reliable Information of Power Systems Protection Engineering Training Idc
 - Fact-Checking eBook Content of Power Systems Protection Engineering Training Idc
 - Distinguishing Credible Sources
 13. Promoting Lifelong Learning
 - Utilizing eBooks for Skill Development
 - Exploring Educational eBooks
 14. Embracing eBook Trends
 - Integration of Multimedia Elements
 - Interactive and Gamified eBooks

Power Systems Protection Engineering Training Idc Introduction

In this digital age, the convenience of accessing information at our fingertips has become a necessity. Whether its research papers, eBooks, or user manuals, PDF files have become the preferred format for sharing and reading documents. However, the cost associated with purchasing PDF files can sometimes be a barrier for many individuals and organizations. Thankfully, there are numerous websites and platforms that allow users to download free PDF files legally. In this article, we will explore some of the best platforms to download free PDFs. One of the most popular platforms to download free PDF files is Project Gutenberg. This online library offers over 60,000 free eBooks that are in the public domain. From classic literature to historical documents, Project Gutenberg provides a wide range of PDF files that can be downloaded and enjoyed on various devices. The website is user-friendly and allows users to search for specific titles or browse through different categories. Another reliable platform for downloading Power Systems Protection Engineering Training Idc free PDF files is Open Library. With its vast collection of over 1 million eBooks, Open Library has something for every reader. The website offers a seamless experience by providing options to borrow or download PDF files. Users simply need to create a free account to access this treasure trove of knowledge. Open Library also allows users to contribute by uploading and sharing their own PDF files, making it a collaborative platform for book enthusiasts. For those interested in academic resources, there are websites dedicated to providing free PDFs of research papers and scientific articles. One such website is Academia.edu, which allows researchers and scholars to share their work with a global audience. Users can download PDF files of research papers, theses, and dissertations covering a wide range of subjects. Academia.edu also provides a platform for discussions and networking within the academic community. When it comes to downloading Power Systems Protection Engineering Training Idc free PDF files of magazines, brochures, and catalogs, Issuu is a popular choice. This digital publishing platform hosts a vast collection of publications from around the world. Users can search for specific titles or explore various categories and genres. Issuu offers a seamless reading experience with its user-friendly interface and allows users to download PDF files for offline reading. Apart from dedicated platforms, search engines also play a crucial role in finding free PDF files. Google, for instance, has an advanced search feature that allows users to filter results by file type. By specifying the file type as "PDF," users can find websites that offer free PDF downloads on a specific topic. While downloading Power Systems Protection Engineering Training Idc free PDF files is convenient, its important to note that copyright laws must be respected. Always ensure that the PDF files you download are legally available for free. Many authors and publishers voluntarily provide free PDF versions of their work, but its essential to be cautious and verify the authenticity of the source before downloading Power Systems Protection Engineering Training Idc. In conclusion, the internet offers numerous platforms and websites that allow users to download free PDF files legally. Whether its classic literature, research papers, or magazines, there is something for everyone. The platforms mentioned in this article, such as Project Gutenberg, Open Library, Academia.edu,

and Issuu, provide access to a vast collection of PDF files. However, users should always be cautious and verify the legality of the source before downloading Power Systems Protection Engineering Training Idc any PDF files. With these platforms, the world of PDF downloads is just a click away.

FAQs About Power Systems Protection Engineering Training Idc Books

1. Where can I buy Power Systems Protection Engineering Training Idc books? Bookstores: Physical bookstores like Barnes & Noble, Waterstones, and independent local stores. Online Retailers: Amazon, Book Depository, and various online bookstores offer a wide range of books in physical and digital formats.
2. What are the different book formats available? Hardcover: Sturdy and durable, usually more expensive. Paperback: Cheaper, lighter, and more portable than hardcovers. E-books: Digital books available for e-readers like Kindle or software like Apple Books, Kindle, and Google Play Books.
3. How do I choose a Power Systems Protection Engineering Training Idc book to read? Genres: Consider the genre you enjoy (fiction, non-fiction, mystery, sci-fi, etc.). Recommendations: Ask friends, join book clubs, or explore online reviews and recommendations. Author: If you like a particular author, you might enjoy more of their work.
4. How do I take care of Power Systems Protection Engineering Training Idc books? Storage: Keep them away from direct sunlight and in a dry environment. Handling: Avoid folding pages, use bookmarks, and handle them with clean hands. Cleaning: Gently dust the covers and pages occasionally.
5. Can I borrow books without buying them? Public Libraries: Local libraries offer a wide range of books for borrowing. Book Swaps: Community book exchanges or online platforms where people exchange books.
6. How can I track my reading progress or manage my book collection? Book Tracking Apps: Goodreads, LibraryThing, and Book Catalogue are popular apps for tracking your reading progress and managing book collections. Spreadsheets: You can create your own spreadsheet to track books read, ratings, and other details.
7. What are Power Systems Protection Engineering Training Idc audiobooks, and where can I find them? Audiobooks: Audio recordings of books, perfect for listening while commuting or multitasking. Platforms: Audible, LibriVox, and Google Play Books offer a wide selection of audiobooks.
8. How do I support authors or the book industry? Buy Books: Purchase books from authors or independent bookstores. Reviews: Leave reviews on platforms like Goodreads or Amazon. Promotion: Share your favorite books on social media or recommend them to friends.

9. Are there book clubs or reading communities I can join? Local Clubs: Check for local book clubs in libraries or community centers. Online Communities: Platforms like Goodreads have virtual book clubs and discussion groups.
10. Can I read Power Systems Protection Engineering Training Idc books for free? Public Domain Books: Many classic books are available for free as they're in the public domain. Free E-books: Some websites offer free e-books legally, like Project Gutenberg or Open Library.

Find Power Systems Protection Engineering Training Idc :

**kaedah pengajaran kemahiran menulis bahasa arab di
journalism editing exercises**

[kk fraylim blondies lost year](#)

[la route de chlifa michele marineau](#)

[la mascara del asesino libro](#)

klein organic chemistry answer key

[land law lecture notes](#)

[labour law in zimbabwe by madhuku lovemore](#)

[kursus online gratis sertifikat](#)

[komatsu d60a 8 d60e 8 d60p 8 d60pl 8 d65a 8 d65e 8 d65p 8 d65e 8b d65p 8a dozer bulldozer service repair workshop](#)

[manual sn 45001 and up](#)

kumon answer book reading

[kamapisachi archives xxx images](#)

[journal citation reports thomson reuters](#)

kawasaki klx 125 service manual download

[just one wish janette rallison](#)

Power Systems Protection Engineering Training Idc :

Prayers of the Cosmos - Abwoon Prayers of the Cosmos - Abwoon Prayers of the Cosmos: Meditations... by Neil Douglas-Klotz
Prayers of the Cosmos is a spiritual revelation—and in the words of Science of Mind, “When you read this book, you will have no further doubt that God loves you ... Neil Douglas-Klotz - Prayers of the Cosmos This is an essential addition to any spiritual seeker from any tradition. The author provides sublime context for applying the most important words of Jesus ... Prayers of

the Cosmos Reinterpreting the Lord's Prayer and the Beatitudes from the vantage of Middle Eastern mysticism, Douglas-Klotz offers a radical new translation of the ... Book Review - Prayers of the Cosmos by Neal Douglas-Klotz Oct 20, 2020 — It's an illuminating interpretation of how we are to understand our place in the cosmos and aligns with my direct experience and studies of yoga ... Prayers of the Cosmos: Meditations on the Aramaic Words ... Let me clearly see thy body, the cosmos and greet it with compassion and inclusion. Let me see all hungry bodies and feed them. Let me be free from fear of ... Prayers of the Cosmos: Reflections on the Original ... Neil Douglas-Klotz offers a radical new translation of the words of Jesus Christ with Prayers of the Cosmos. Reinterpreting the Lord's. Prayers of the Cosmos: Meditations on the Aramaic Words ... Mar 24, 2020 — Neil Douglas-Klotz offers a radical new translation of the words of Jesus Christ with Prayers of the Cosmos. Reinterpreting the Lord's ... Prayers of the Cosmos: Meditations on the Aramaic Words ... Neil Douglas-Klotz offers a radical new translation of the words of Jesus Christ with Prayers of the Cosmos. Reinterpreting the Lord's Prayer and the ... Prayers of the Cosmos Musical Settings for Chanting and Body Prayer: The Prayer of Jesus in Matt. 6:9-13 and Luke 11:2-4. Neil Douglas-Klotz - Topic. Pitch Anything Summary of Key Ideas and Review | Oren Klaff Pitch Anything Summary of Key Ideas and Review | Oren Klaff Oren Klaff's Complete Pitch Anything Summary in 12 minutes May 9, 2019 — Every pitch should tell a story. Eliminate the neediness. The brain is wired to do things to achieve status, not money. The mind continually ... Pitch Anything Summary Aug 7, 2016 — This Pitch Anything summary breaks down the science of selling on your 3 brain levels and shows you how to make yourself the prize & trigger ... Pitch Anything by Oren Klaff: Book Overview Jul 8, 2021 — In his book Pitch Anything, Oren Klaff teaches you how to appeal to your target's croc brain by understanding what makes it tick and working ... Pitch Anything Summary and Review | Oren Klaff Apr 8, 2021 — Oren Klaff outlines that a great pitch is never about the procedure. Instead, it is about getting and keeping the attention of the people you ... Pitch Anything Summary, Review PDF In Review: Pitch Anything Book Summary. The key message in this book is: In any social encounter where you aim to be persuasive, it is vital that you seize ... Pitch Anything: Summary & Framework + PDF Pitch Anything (2011) teaches readers how to raise money and sell their ideas to investors and venture capitalists by mastering power dynamics, ... Pitch Anything: Summary Review & Takeaways The concept of "prizing": The book introduces the concept of offering rewards or incentives to create a sense of value and scarcity, making the pitch more ... Pitch Anything: An Innovative Method for Delivering A Pitch When it comes to delivering a pitch, Oren Klaff has unparalleled credentials. Over the past 13 years, he has used his one-of-a-kind method to raise more ... D128: DEMO OF ISO/IEC 17024:2012 Document Kit It covers sample copy of quality manual and requirement wise details for how ISO/IEC. 17024:2012 are implemented. It covers sample policy for all process areas, ... ISO 17024 Manual Documents and Consultancy Service Online Consultancy for ISO 17024 documents personnel assessment certification. Download iso 17024 documents with manual, sop, checklist, policy in English. ISO 17024 Manual Sample ISO 17024 management system manual, procedures, and forms. ... The management

system complies with the international standards ISO/IEC 17024:2012. ISO-IEC 17024 Guidance Documents and Sample Policy/ ... This document provides guidance information, sample policies and procedures, and template documents to organizations seeking to become accredited personnel ... Home Energy Professionals Certifications ISO/IEC 17024 by J Desai · 2021 — This handbook covers the policies and procedures for the process of developing, maintaining, and validating the certification schemes. Each policy and procedure ... Personnel Certification Documentation Kit with ISO 17024 ... All documents for Person Certification are designed as per ISO/IEC 17024:2012. Download Documents with manual, procedures, checklist in editable .doc ... ISO 17024 Documentation Kit - Manual, Procedures, Audit ... ISO 17024 Documentation Kit - Manual, Procedures, Audit Checklist for Personnel Certification. The Quality system needs to be established by training and ... Personnel Certification Documentation Kit with ISO ... - YouTube Table of Contents - ISO/IEC 17024 Compliance The 17024 Compliance Handbook contains succinct, authoritative advice about how to prepare a certification that complies with ISO/IEC 17024. contact button ISO/IEC 17024:2012 Certification of Persons Scheme for ... Evidence of compliance with the procedures in the manual is evidence of ongoing ... This scheme is structured according to the requirements of ISO/IEC 17024:2012.