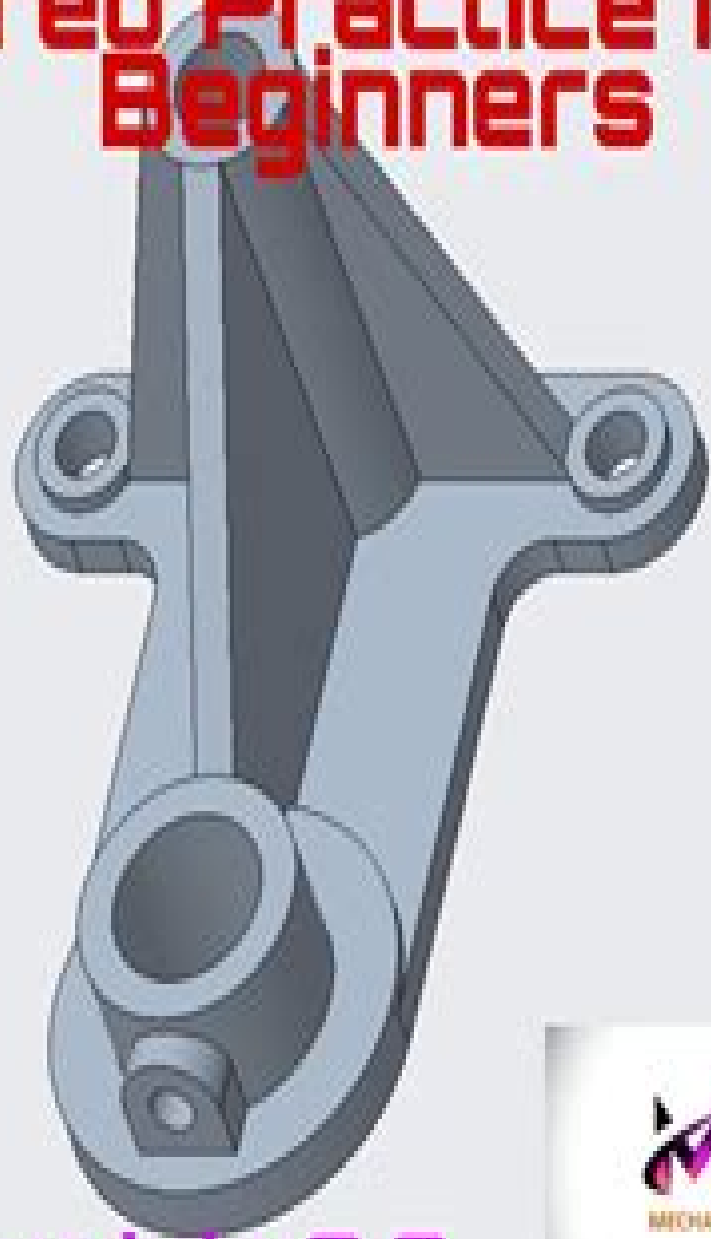
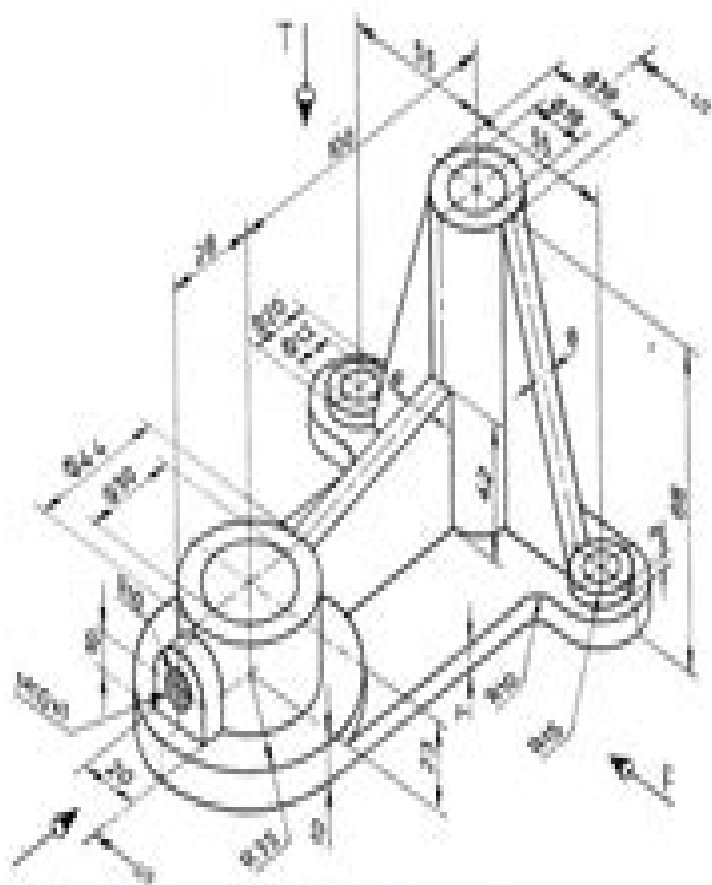


# Creo Practice for Beginners



## Exercise 8

Creo Parametric 8.0



# Creo Practise In

**Engineers Club of Philadelphia**



## Creo Practise In:

**Ptc Creo Exercises** Sachidanand Jha,2019-04-30 PTC CREO EXERCISES Do you want to learn how to design 2D and 3D models in your favorite Computer Aided Design CAD software such as PTC Creo or SolidWorks Look no further We have designed 200 CAD exercises that will help you to test your CAD skills What s included in the PTC CREO EXERCISES book Whether you are a beginner intermediate or an expert these CAD exercises will challenge you The book contains 200 3D models and practice drawings or exercises Each exercise contains images of the final design and exact measurements needed to create the design Each exercise can be designed on any CAD software which you desire It can be done with AutoCAD SolidWorks Inventor DraftSight Fusion 360 Solid Edge Catia NX and other feature based CAD modeling software It is intended to provide Drafters Designers and Engineers with enough CAD exercises for practice on PTC Creo It includes almost all types of exercises that are necessary to provide clear concise and systematic information required on industrial machine part drawings Third Angle Projection is intentionally used to familiarize Drafters Designers and Engineers in Third Angle Projection to meet the expectation of worldwide Engineering drawing print This book is for Beginner Intermediate and Advance CAD users Clear and well drafted drawing help easy understanding of the design These exercises are from Basics to Advance level Each exercises can be assigned and designed separately No Exercise is a prerequisite for another All dimensions are in mm Prerequisite To design develop models you should have knowledge of PTC Creo Student should have knowledge of Orthographic views and projections Student should have basic knowledge of engineering drawings

*Pragmatics in English Language Learning* Nicola Halenko, Jiayi Wang, 2022-10-06 This volume examines the second language pragmatic development of international learners of English inside and outside the classroom [Ptc Creo Assembly Drawings](#) Sachidanand Jha, 2021-09-03 PTC CREO ASSEMBLY DRAWINGS This book has been designed for self paced learning by doing assembly practice exercises This book doesn t provide you with a step by step tutorial This book is intended to provide cad assembly practice exercises What s included in the PTC CREO ASSEMBLY DRAWINGS book Whether you are a beginner intermediate or an expert these CAD Assembly exercises will challenge you The book has various cad assembly exercises Each exercise contains images of the final Assembly design and exact measurements needed to create the design Each exercise can be designed on any CAD software which you desire It can be done with AutoCAD SolidWorks CATIA DraftSight Fusion 360 Solid Edge NX and other feature based CAD modeling software It is intended to provide Drafters Designers and Engineers with enough CAD Assembly exercises for practice on any cad program It includes almost all types of exercises that are necessary to provide clear concise and systematic information required on industrial machine part drawings Third Angle Projection is intentionally used to familiarize Drafters Designers and Engineers in Third Angle Projection to meet the expectation of worldwide Engineering drawing print This book is for Beginner Intermediate and Advance CAD users Clear and well drafted drawing help easy understanding of the design These exercises are from Basics to

Advance level Each exercises can be assigned and designed separately No Exercise is a prerequisite for another All dimensions are in mm Prerequisite To design develop models you should have knowledge of PTC CREO program Student should have knowledge of Orthographic views and projections Student should have basic knowledge of engineering drawings

Creo Simulate 6.0 Tutorial Roger Toogood,2019-06 Creo Simulate 6 0 Tutorial introduces new users to finite element analysis using Creo Simulate and how it can be used to analyze a variety of problems The tutorial lessons cover the major concepts and frequently used commands required to progress from a novice to an intermediate user level The commands are presented in a click by click manner using simple examples and exercises that illustrate a broad range of the analysis types that can be performed In addition to showing the command usage the text will explain why certain commands are being used and where appropriate the relation of commands to the overall Finite Element Analysis FEA philosophy are explained Moreover since error analysis is an important skill considerable time is spent exploring the created models so that users will become comfortable with the debugging phase of modeling This textbook is written for first time FEA users in general and Creo Simulate users in particular After a brief introduction to finite element modeling the tutorial introduces the major concepts behind the use of Creo Simulate to perform Finite Element Analysis of parts These include modes of operation element types design studies analysis sensitivity studies organization and the major steps for setting up a model materials loads constraints analysis type studying convergence of the solution and viewing the results Both 2D and 3D problems are covered This tutorial deals exclusively with operation in integrated mode with Creo Parametric It is suitable for use with both Releases 6 0 of Creo Simulate The tutorials consist of the following 2 lessons on general introductory material 2 lessons introducing the basic operations in Creo Simulate using solid models 4 lessons on model idealizations shells beams and frames plane stress etc 1 lesson on miscellaneous topics 1 lesson on steady and transient thermal analysis *Creo Parametric 6.0 Advanced Tutorial* Roger Toogood,2019-07 The purpose of Creo Parametric 6 0 Advanced Tutorial is to introduce you to some of the more advanced features commands and functions in Creo Parametric Each lesson concentrates on a few of the major topics and the text attempts to explain the why s of the commands in addition to a concise step by step description of new command sequences This book is suitable for a second course in Creo Parametric and for users who understand the features already covered in Roger Toogood s *Creo Parametric Tutorial* The style and approach of the previous tutorial have been maintained from the previous book and the text picks up right where the last tutorial left off The material covered in this tutorial represents an overview of what is felt to be the most commonly used and important functions These include customization of the working environment advanced feature creation sweeps round sets draft and tweaks UDFs patterns and family tables layers Pro PROGRAM and advanced drawing and assembly functions *Creo Parametric 6 0 Advanced Tutorial* consists of eight lessons A continuing theme throughout the lessons is the creation of parts for a medium sized modeling project The project consists of a small three wheeled utility cart Project parts are given at the end of each

lesson that utilize functions presented earlier in that lesson Final assembly is performed in the last lesson

**Technology-Enhanced Language Learning for Specialized Domains** Elena Martín-Monje,Izaskun Elorza,Blanca García Ríaza,2016-03-10 Technology Enhanced Language Learning for Specialized Domains provides an exploration of the latest developments in technology enhanced learning and the processing of languages for specific purposes It combines theoretical and applied research from an interdisciplinary angle covering general issues related to learning languages with computers assessment mobile assisted language learning the new language massive open online courses corpus based research and computer assisted aspects of translation The chapters in this collection include contributions from a number of international experts in the field with a wide range of experience in the use of technologies to enhance the language learning process The essays have been brought together precisely in recognition of the demand for this kind of specialised tuition offering state of the art technological and methodological innovation and practical applications The topics covered revolve around the practical consequences of the current possibilities of mobility for both learners and teachers as well as the applicability of updated technological advances to language learning and teaching particularly in specialized domains This is achieved through the description and discussion of practical examples of those applications in a variety of educational contexts At the beginning of each thematic section readers will find an introductory chapter which contextualises the topic and links the different examples discussed Drawing together rich primary research and empirical studies related to specialized tuition and the processing of languages Technology Enhanced Language Learning for Specialized Domains will be an invaluable resource for academics researchers and postgraduate students in the fields of education computer assisted language learning languages and linguistics and language teaching Proceedings Engineers Club of Philadelphia,1910

**Hossfeld's new method for learning the Spanish language. [With] Key** Tomás Enrique Gurrin,1884

*Therapeutics: its principles and practice* Horatio Charles Wood,1906 *Journal of the Engineers' Club of Philadelphia and Affiliated Societies* ,1910 **Proceedings of the Engineers' Club of Philadelphia** ,1910 **Engineers and Engineering** ,1910 *Proceedings of the Engineers' Club of Philadelphia* Engineers Club of Philadelphia,1909 Creo Simulate Tutorial Release 1.0 & 2.0 Roger Toogood,2012 Creo Simulate Tutorial Releases 1 0 2 0 introduces new users to finite element analysis using Creo Simulate and how it can be used to analyze a variety of problems The tutorial lessons cover the major concepts and frequently used commands required to progress from a novice to an intermediate user level The commands are presented in a click by click manner using simple examples and exercises that illustrate a broad range of the analysis types that can be performed In addition to showing the command usage the text will explain why certain commands are being used and where appropriate the relation of commands to the overall Finite Element Analysis FEA philosophy are explained Moreover since error analysis is an important skill considerable time is spent exploring the created models so that users will become comfortable with the debugging phase of modeling This textbook is written for first time FEA users in

general and Creo Simulate users in particular After a brief introduction to finite element modeling the tutorial introduces the major concepts behind the use of Creo Simulate to perform Finite Element Analysis of parts These include modes of operation element types design studies analysis sensitivity studies organization and the major steps for setting up a model materials loads constraints analysis type studying convergence of the solution and viewing the results Both 2D and 3D problems are treated This tutorial deals exclusively with operation in integrated mode with Creo Parametric It is suitable for use with both Releases 1 0 and 2 0 of Creo Simulate

**The Preservation of Structural Timber** Howard Frederick Weiss,1916 Medical News ,1890 *Gramática inglesa. 2 secc. [in 3 pt.]. (Método de Hossfeld)*. Tomás Enrique Gurrin,1890 **Caminos 2** Niobe O'Connor,Amanda Rainger,1998 Reinforces language learnt by revisiting and revising selected core language from Caminos 1 Teaches grammar in a systematic way identifying patterns clearly and providing plenty of practice The increasingly wide spread of attainment in the second year of language learning is covered by differentiation materials offering activities at two levels Develops language learning skills with activities such as dictionary and pronunciation work **The Medical World** ,1899 *Two Centuries of English Language Teaching and Learning in Spain* Alberto Lombardero Caparrós,2025-10-01 This book provides an exhaustive historical account of how the English language was taught and learnt in Spain over two centuries Since its origins back in 1769 with the publication of San Joaquín de Pedro's Gramática inglesa until 1970 a key year in European and World affairs A period of time ample enough to accurately gauge the impact of this social phenomenon against the backdrop of social and political unrest which looms over the whole period but also with scientific breakthroughs that shaped our modern world The history of ELT runs parallel to those events adopting different mainstream trends ranging from the Traditional or Latin like approach to foreign language teaching to the so called Grammar Translation Method and the Direct or Oral Method However special attention is also given to minor trends such as Ecclecticism which constantly overlaps the mainstream trends This book is the first to take a close look at how the English language was taught and learnt in Spain for a two century period when the French language was the Spaniard's first choice when it came to learning a foreign language

Immerse yourself in heartwarming tales of love and emotion with its touching creation, Experience Love's Journey in **Creo Practise In** . This emotionally charged ebook, available for download in a PDF format ( Download in PDF: \*), is a celebration of love in all its forms. Download now and let the warmth of these stories envelop your heart.

<https://py.bijouxmedusa.com/book/Resources/index.jsp/calculus%20one%20and%20several%20variables%2010th%20edition%20solutions%20manual%20free.pdf>

## **Table of Contents Creo Practise In**

1. Understanding the eBook Creo Practise In
  - The Rise of Digital Reading Creo Practise In
  - Advantages of eBooks Over Traditional Books
2. Identifying Creo Practise In
  - Exploring Different Genres
  - Considering Fiction vs. Non-Fiction
  - Determining Your Reading Goals
3. Choosing the Right eBook Platform
  - Popular eBook Platforms
  - Features to Look for in an Creo Practise In
  - User-Friendly Interface
4. Exploring eBook Recommendations from Creo Practise In
  - Personalized Recommendations
  - Creo Practise In User Reviews and Ratings
  - Creo Practise In and Bestseller Lists
5. Accessing Creo Practise In Free and Paid eBooks
  - Creo Practise In Public Domain eBooks
  - Creo Practise In eBook Subscription Services
  - Creo Practise In Budget-Friendly Options

6. Navigating Creo Practise In eBook Formats
  - ePub, PDF, MOBI, and More
  - Creo Practise In Compatibility with Devices
  - Creo Practise In Enhanced eBook Features
7. Enhancing Your Reading Experience
  - Adjustable Fonts and Text Sizes of Creo Practise In
  - Highlighting and Note-Taking Creo Practise In
  - Interactive Elements Creo Practise In
8. Staying Engaged with Creo Practise In
  - Joining Online Reading Communities
  - Participating in Virtual Book Clubs
  - Following Authors and Publishers Creo Practise In
9. Balancing eBooks and Physical Books Creo Practise In
  - Benefits of a Digital Library
  - Creating a Diverse Reading Collection Creo Practise In
10. Overcoming Reading Challenges
  - Dealing with Digital Eye Strain
  - Minimizing Distractions
  - Managing Screen Time
11. Cultivating a Reading Routine Creo Practise In
  - Setting Reading Goals Creo Practise In
  - Carving Out Dedicated Reading Time
12. Sourcing Reliable Information of Creo Practise In
  - Fact-Checking eBook Content of Creo Practise In
  - Distinguishing Credible Sources
13. Promoting Lifelong Learning
  - Utilizing eBooks for Skill Development
  - Exploring Educational eBooks
14. Embracing eBook Trends
  - Integration of Multimedia Elements

- Interactive and Gamified eBooks

## **Creo Practise In Introduction**

Creo Practise In Offers over 60,000 free eBooks, including many classics that are in the public domain. Open Library: Provides access to over 1 million free eBooks, including classic literature and contemporary works. Creo Practise In Offers a vast collection of books, some of which are available for free as PDF downloads, particularly older books in the public domain. Creo Practise In : This website hosts a vast collection of scientific articles, books, and textbooks. While it operates in a legal gray area due to copyright issues, its a popular resource for finding various publications. Internet Archive for Creo Practise In : Has an extensive collection of digital content, including books, articles, videos, and more. It has a massive library of free downloadable books. Free-eBooks Creo Practise In Offers a diverse range of free eBooks across various genres. Creo Practise In Focuses mainly on educational books, textbooks, and business books. It offers free PDF downloads for educational purposes. Creo Practise In Provides a large selection of free eBooks in different genres, which are available for download in various formats, including PDF. Finding specific Creo Practise In, especially related to Creo Practise In, might be challenging as theyre often artistic creations rather than practical blueprints. However, you can explore the following steps to search for or create your own Online Searches: Look for websites, forums, or blogs dedicated to Creo Practise In, Sometimes enthusiasts share their designs or concepts in PDF format. Books and Magazines Some Creo Practise In books or magazines might include. Look for these in online stores or libraries. Remember that while Creo Practise In, sharing copyrighted material without permission is not legal. Always ensure youre either creating your own or obtaining them from legitimate sources that allow sharing and downloading. Library Check if your local library offers eBook lending services. Many libraries have digital catalogs where you can borrow Creo Practise In eBooks for free, including popular titles. Online Retailers: Websites like Amazon, Google Books, or Apple Books often sell eBooks. Sometimes, authors or publishers offer promotions or free periods for certain books. Authors Website Occasionally, authors provide excerpts or short stories for free on their websites. While this might not be the Creo Practise In full book , it can give you a taste of the authors writing style. Subscription Services Platforms like Kindle Unlimited or Scribd offer subscription-based access to a wide range of Creo Practise In eBooks, including some popular titles.

## **FAQs About Creo Practise In Books**

How do I know which eBook platform is the best for me? Finding the best eBook platform depends on your reading preferences and device compatibility. Research different platforms, read user reviews, and explore their features before

making a choice. Are free eBooks of good quality? Yes, many reputable platforms offer high-quality free eBooks, including classics and public domain works. However, make sure to verify the source to ensure the eBook credibility. Can I read eBooks without an eReader? Absolutely! Most eBook platforms offer web-based readers or mobile apps that allow you to read eBooks on your computer, tablet, or smartphone. How do I avoid digital eye strain while reading eBooks? To prevent digital eye strain, take regular breaks, adjust the font size and background color, and ensure proper lighting while reading eBooks. What the advantage of interactive eBooks? Interactive eBooks incorporate multimedia elements, quizzes, and activities, enhancing the reader engagement and providing a more immersive learning experience. Creo Practise In is one of the best book in our library for free trial. We provide copy of Creo Practise In in digital format, so the resources that you find are reliable. There are also many Ebooks of related with Creo Practise In. Where to download Creo Practise In online for free? Are you looking for Creo Practise In PDF? This is definitely going to save you time and cash in something you should think about.

### **Find Creo Practise In :**

[calculus one and several variables 10th edition solutions manual free](#)

[calculus with analytic geometry 3rd edition](#)

**calculus 8th edition online textbook**

**c programming course university of oxford**

*canine diseases nobivac*

**c how to program global edition 8th edition download ebook**

cambridge primary science stage 6 learners book cambridge international examinations

[by vi keeland](#)

**calm energy how people regulate mood with food and exercise**

**cambridge english proficiency cpe practice tests with key pdf**

**calculus complete course 8th edition adams cypage**

**by marshall b rosenberg phd teaching children compassionately how students and teachers can succeed with mutual understanding**

**cambridge ielts book 9 download pdf**

*capital vol 3 the process of capitalist production as a whole karl marx*

[by julie riley microsoft expression web 3 illustrated introductory illustrated course technology 1st edition](#)

**Creo Practise In :**

**on langston hughes s the weary blues academy of american** - Nov 06 2022

web feb 5 2015 one never grows weary of the weary blues langston hughes s first book published by knopf in 1926 is one of the high points of modernism and of what has come to be called the harlem renaissance that flowering of african american literature and culture in the public s consciousness really an extension of the new negro movement that

**the weary blues academy of american poets** - Mar 10 2023

web the book which was originally prefaced with an introduction by harlem renaissance patron carl van vechten is split into seven thematic sections the weary blues dream variations the negro speaks of rivers a black pierrot water front streets shadows in the sun and our land

**weary blues album wikipedia** - Mar 30 2022

web weary blues also referred to as the weary blues is an album by the american poet langston hughes who recites several of his poems over jazz accompaniment composed and arranged by leonard feather and charles mingus the album was recorded on march 17 18 1958 in new york and was released on the mgm label in 1959

[the weary blues summary and study guide supersummary](#) - Oct 05 2022

web the weary blues is a poem by the essayist playwright fiction writer children s author and poet langston hughes it s one of his most famous poems and serves as the title of his debut collection of poetry the weary blues published in 1926 by alfred a knopf

**langston hughes the weary blues full text 1926** - Aug 03 2022

web the weary blues is langston hughes first published book of poetry it was published by knopf in 1926 with a preface by carl van vechten alongside alain locke s anthology the new negro an interpretation 1925 the publication of hughes collection of poems is one of the defining moments of the harlem renaissance

[the weary blues by langston hughes poetry foundation](#) - Aug 15 2023

web the stars went out and so did the moon the singer stopped playing and went to bed while the weary blues echoed through his head he slept like a rock or a man that s dead langston hughes the weary blues from the collected works of langston hughes copyright 2002 by langston hughes

*the weary blues e kitap langston hughes pdf d r* - Jan 08 2023

web the weary blues e kitap açıklaması this celebratory edition of the classic poetry collection reminds us of hughes s stunning achievement speaking directly intimately and powerfully of black experiences at a time when black voices were newly being heard in

*the weary blues wikipedia* - Apr 11 2023

web the weary blues is one of hughes s most famous poems critics have claimed that the poem is a combination of blues and jazz with personal experiences it embodies blues as a metaphor and form it has also been coined as one of

**the weary blues key poetic devices sparknotes** - Jun 01 2022

web in the weary blues the speaker uses oxymoron in his attempt to describe the unusual way blues music affects him halfway through the first stanza for example the speaker describes the music played by the pianist as sweet blues line 14

*the weary blues by langston hughes poems academy of* - Jul 14 2023

web got the weary blues and can t be satisfied i ain t happy no mo and i wish that i had died and far into the night he crooned that tune the stars went out and so did the moon the singer stopped playing and went to bed while the

**the weary blues poem analysis supersummary** - Sep 04 2022

web the weary blues is a lyric poem with a jarring but infectious beat it s a lyric because it s short and personal and its hypnotic topsy turvy beat manifests through the intentionally uneven lines

**the weary blues jstor** - Dec 27 2021

web a note on the weary blues cheryl a wall the title poem of his first book the weary blues initiates langston hughes s lifelong exploration of harlem as setting and of blues as metaphor and form hughes went on of course to become the poet laureate of harlem whose lyrical experiments with blues and

*the weary blues by langston hughes poem analysis* - Jul 02 2022

web the weary blues describes the performance of a blues musician playing in a club on lenox avenue in harlem the piece mimics the tone and form of blues music and uses free verse and closely resembles spoken english

**the weary blues poem summary and analysis litcharts** - Jun 13 2023

web langston hughes s the weary blues first published in 1925 describes a black piano player performing a slow sad blues song this performance takes place in a club in harlem a segregated neighborhood in new york city

*the poem the weary blues by langston hughes essay* - Jan 28 2022

web nov 20 2022 the weary blues is a jazzy musical poem that has a structure with the rhythms and form of the blues the poem combines the voices of both the speaker and the black singer who plays the blues it is noteworthy that the speaker also expresses his thoughts in a blues form using receptions typical for this genre

**the weary blues study guide sparknotes** - May 12 2023

web langston hughes s the weary blues which first appeared in 1925 is a landmark poem of the harlem renaissance summary begin your study of the weary blues with an overview of its contents and key ideas

[the weary blues langston hughes google books](#) - Feb 26 2022

web jan 31 2022 the weary blues is langston hughes s first published collection of poems immediately celebrated as a tour

de force upon its release over ninety years after its publication it remains a critically acclaimed literary work and still evokes a fresh contemporary feeling and offers a powerful reflection of the black experience

**langston hughes the weary blues genius** - Feb 09 2023

web 1 viewer 7 8k views 20 contributors the weary blues lyrics droning a drowsy syncopated tune rocking back and forth to a mellow croon i heard a negro play down on lenox avenue the other night

[the weary blues summary theme analysis vaia](#) - Apr 30 2022

web the weary blues is a poem about the pain and suffering conveyed through the blues and how african americans used this musical genre as an outlet to express their pain and struggle by implementing elements of the blues throughout the poem hughes adds a strong musical and cultural element to help readers connect to it

**the weary blues by langston hughes 9780385352970** - Dec 07 2022

web about the weary blues this celebratory edition of the classic poetry collection reminds us of hughes s stunning achievement speaking directly intimately and powerfully of black experiences at a time when black voices were newly being heard in american literature with an introduction by poet kevin young

[incompressible flow 4th edition wiley](#) - Dec 08 2022

web incompressible flow fourth edition is the updated and revised edition of ronald panton s classic text it continues a respected tradition of providing the most comprehensive coverage of the subject in an exceptionally clear unified and carefully paced introduction to advanced concepts in fluid mechanics

**incompressible flow 4th ed by ronald l panton ebook** - Jul 03 2022

web a revised vorticity dynamics chapter with new examples including the ring line vortex and the fraenkel norbury vortex solutions a discussion of the different behaviors that occur in subsonic and supersonic steady flows additional

[solution manual for incompressible flow 4th edition by ronald l panton](#) - Jan 09 2023

web solution manual for incompressible flow 4th edition by ronald l panton the most teachable book on incompressible flow now fully revised updated and expanded incompressible flow fourth edition is the updated and

[panton Incompressible flow solutions pdfsayar com](#) - Feb 27 2022

web may 27 2021 panton Incompressible flow solutions pdf arama sonuçları pdf arama ve İndirme motoru

**incompressible flow panton ronald l 9781118013434** - Aug 04 2022

web aug 5 2013 a revised vorticity dynamics chapter with new examples including the ring line vortex and the fraenkel norbury vortex solutions a discussion of the different behaviors that occur in subsonic and supersonic steady flows additional emphasis on composite asymptotic expansions

[incompressible flow ronald l panton google books](#) - Nov 07 2022

web jul 18 2013 incompressible flow ronald l panton john wiley sons jul 18 2013 science 912 pages the most teachable book on incompressible flow now fully revised updated and expanded

[panton incompressible flow solutions manual fatboyore pdf](#) - May 01 2022

web solution manual for incompressible flow ronald panton incompressible flow bernoulli s equation worked example 1

incompressible flow bernoulli s equation part 1 solution manual for introduction to compressible fluid flow patrick oosthuizen william carscallen

**ronald l panton solution manual panton incompressible flow** - Apr 12 2023

web ronald l panton solution manual panton incompressible flow 4th ed pdf ronald l panton solution manual panton incompressible flow 4th ed saif ali academia edu academia edu no longer supports internet explorer

**solution manual of incompressible flow 4th edition by ronald l panton** - Aug 16 2023

web feb 7 2022 solution collection manuals contributions manuals additional collections gioumeh com product

incompressible flow solution authors ronald l panton published wiley 2014 edition 4th

**incompressible flow panton ronald l ronald lee 1933** - Dec 28 2021

web incompressible flow by panton ronald l ronald lee 1933 publication date 1984 topics fluid dynamics publisher new york wiley collection inlibrary printdisabled internetarchivebooks contributor internet archive language english xv 780 p 25 cm a wiley interscience publication

[download incompressible flow by ronald l panton](#) - Jan 29 2022

web incompressible flow third edition is the updated and revised edition of ronald panton s classic text on fluid mechanics beginning with basic principles this third edition patiently develops the math and physics leading to major theories

[54229636 panton incompressible flow solutions ch 01 06](#) - Mar 31 2022

web 54229636 panton incompressible flow solutions ch 01 06 download pdf report upload aravind mandi view 3 905

download 658 embed size px description panton text of 54229636 panton incompressible flow solutions ch 01 06 page 1 page 2 page 3 page 4 page 5 page 6 page 7 page 8

[panton incompressible flow solutions ch 01 06 pdf scribd](#) - Sep 05 2022

web panton incompressible flow solutions ch 01 06 free download as pdf file pdf text file txt or read online for free [solution manual panton incompressible flow 4th ed 2013 4](#) - Mar 11 2023

web incompressible flow third edition is the updated and revised edition of ronald panton s classic text on fluid mech 652 93 109mb read more fundamentals of incompressible fluid flow 9380618166 9789380618166 683 162 5mb read more fundamentals of incompressible fluid flow 1st ed 2022 3030746550 9783030746551

*panton incompressible flow 4th edition instructor companion* - Jun 14 2023

web chapter 10 incompressible flow solutions manual requires adobe acrobat reader solutions to matlab problems requires winzip or equivalent software

**incompressible flow ronald panton 4th edition solutions manual** - Jun 02 2022

web solution manual of design of reinforced concrete by mccormac 10th edition pdf 4 00 out of 5 53 00 16 00 86 add to wish list mechanical engineering solution manual

panton incompressible flow 4th edition instructor companion - Feb 10 2023

web solutions manual chapter 7 11 solutions manual chapter 12 15 solutions manual chapter 16 21

**solution manual for incompressible flo4th g b we panton** - May 13 2023

web solution manual for incompressible flo4th g b we panton

*panton incompressible flow solutions harvard university* - Oct 06 2022

web merely said the panton incompressible flow solutions is universally compatible with any devices to read power electronics daniel w hart 2011 power electronics is intended to be an introductory text in power electronics primarily for the undergraduate electrical engineering student the text is written for some

*incompressible flow wiley online books* - Jul 15 2023

web jul 24 2013 incompressible flow author s ronald l panton first published 24 july 2013 print isbn 9781118013434 online isbn 9781118713075 doi 10 1002 9781118713075 copyright 2013 john wiley sons inc

**chrysler sebring 2005 automobile service manual manualslib** - Apr 13 2023

web view and download chrysler sebring 2005 service manual online jr sebring 2005 automobile pdf manual download also for sebring convertible 2005 stratus 2005

**chrysler sebring factory service repair manuals cardiagn** - Mar 12 2023

web this is the complete factory service manual for your 2006 chrysler sebring stratus sedan sebring convertible the service manual has detailed illustrations diagrams wiring schematics and chrysler cirrus chrysler sebring chrysler stratus 2002 chrysler sebring stratus service manual incl wiring diagram

*chrysler sebring service repair manuals emanualonline* - Feb 28 2022

web also our wide collection of manuals covers every other model year and body type including the 2008 chrysler sebring repair manual and chrysler sebring convertible repair manual and each comes with everything you need to keep your car running for years

download chrysler sebring repair manual - Aug 05 2022

web chrysler sebring repair manuals download a chrysler sebring repair manual straight to your computer or tablet in seconds all repair manuals are in pdf format for quick easy download no special software required to download a chrysler

sebring manual

**chrysler sebring service manuals 1999 2009 pdf** - Dec 09 2022

web cars chrysler sebring you can find 2 different repair service workshop manuals for the chrysler sebring on this page that are in the pdf format totally free of charge yearly sebring service manuals the years available stretch from 1999 through to 2009 and to view the manual you just click the name 2009 2009 chrysler sebring wiring diagram

[chrysler sebring 2004 automobile service manual manualslib](#) - May 14 2023

web view and download chrysler sebring 2004 service manual online sebring 2004 automobile pdf manual download also for sebring convertible 2004 stratus 2004

**chrysler sebring owner s manual manual directory** - May 02 2022

web you can find 20 different owner s manuals for the chrysler sebring on this page that are in the pdf format yearly sebring owner s manuals the years available stretch from 2001 through to 2010 and to view the manual you just click the name underneath 2010

**chrysler sebring service repair manuals on motor era** - Feb 11 2023

web chrysler sebring jxi convertible 1997 service repair manual chrysler sebring convertible 1997 repair service manual pdf chrysler sebring convertible 1997 service repair manual chrysler sebring convertible 1996 2000 service repair manual chrysler sebring convertible 1996 1997 service manual chrysler 1997 jx sebring

**user manual chrysler sebring convertible 2008 english 454** - Jan 30 2022

web view the manual for the chrysler sebring convertible 2008 here for free this manual comes under the category cars and has been rated by 5 people with an average of a 8.5 this manual is available in the following languages english

**chrysler 2006 sebring service manual pdf download manualslib** - Jun 15 2023

web view and download chrysler 2006 sebring service manual online 2006 sebring automobile pdf manual download

[2002 chrysler sebring service repair manuals pdf download motor era](#) - Nov 08 2022

web 2002 sebring stratus sedan and convertible service manual 2002 chrysler jr sebring stratus sedan and convertible factory service repair manual instant download 2002 chrysler jr sebring stratus sedan and convertible service repair workshop manual download chrysler sebring 2001 2006 service repair manual

**chrysler sebring convertible manuals manualslib** - Sep 06 2022

web chrysler sebring convertible manuals manuals and user guides for chrysler sebring convertible we have 3 chrysler sebring convertible manuals available for free pdf download owner s manual

*chrysler sebring convertible 2008 2010 haynes manuals* - Jan 10 2023

web fuel pump replacement headlight bulb replacement how to flush and fill the cooling system jacking and supporting your

vehicle oil filter change oxygen o2 sensor replacement rear disc brake pad replacement replacing your car s battery spark plug replacement starter motor replacement thermostat replacement vacuum oil

**chrysler workshop service and repair manuals** - Oct 07 2022

web sebring convertible l4 2 4l 2008 convertible l4 2 4l vin x 2004 convertible v6 2 5l sohc 24 valve 1996 convertible v6 2 5l vin h 1997 convertible v6 2 7l 2009 convertible v6 2 7l flex fuel 2008 convertible v6 2 7l vin r 2003 convertible v6 3 5l 2009 coupe l4 2 4l vin g 2001 coupe v6 3 0l vin h 2005 l4 122 2 0l

*chrysler sebring convertible owner s manual pdf* - Jul 04 2022

web view and download chrysler sebring convertible owner s manual online sebring convertible automobile pdf manual download

**chrysler sebring convertible 1996 2000 service repair manual** - Apr 01 2022

web sep 14 2021 this chrysler sebring convertible 1996 2000 service repair manual ca055920 is an electronic format manual that provides detailed instructions and illustrations on how to repair maintain and service

**chrysler sebring repair service manuals 47 pdf s** - Jul 16 2023

web we have 47 chrysler sebring manuals covering a total of 18 years of production in the table below you can see 0 sebring workshop manuals 0 sebring owners manuals and 8 miscellaneous chrysler sebring downloads our most popular manual is the chrysler sebring wiring diagram 2009 2009

*user manual chrysler sebring convertible 2009 english 475* - Dec 29 2021

web view the manual for the chrysler sebring convertible 2009 here for free this manual comes under the category cars and has been rated by 2 people with an average of a 8 5 this manual is available in the following languages english

[chrysler sebring free workshop and repair manuals](#) - Aug 17 2023

web chrysler sebring workshop repair and owners manuals for all years and models free pdf download for thousands of cars and trucks

*chrysler sebring convertible 1996 2000 service repair manual* - Jun 03 2022

web this chrysler sebring convertible 1996 1997 1998 1999 2000 service manual also makes it easy to diagnose and repair problems with your machines electrical system troubleshooting and electrical service procedures are combined with detailed wiring diagrams for ease of use