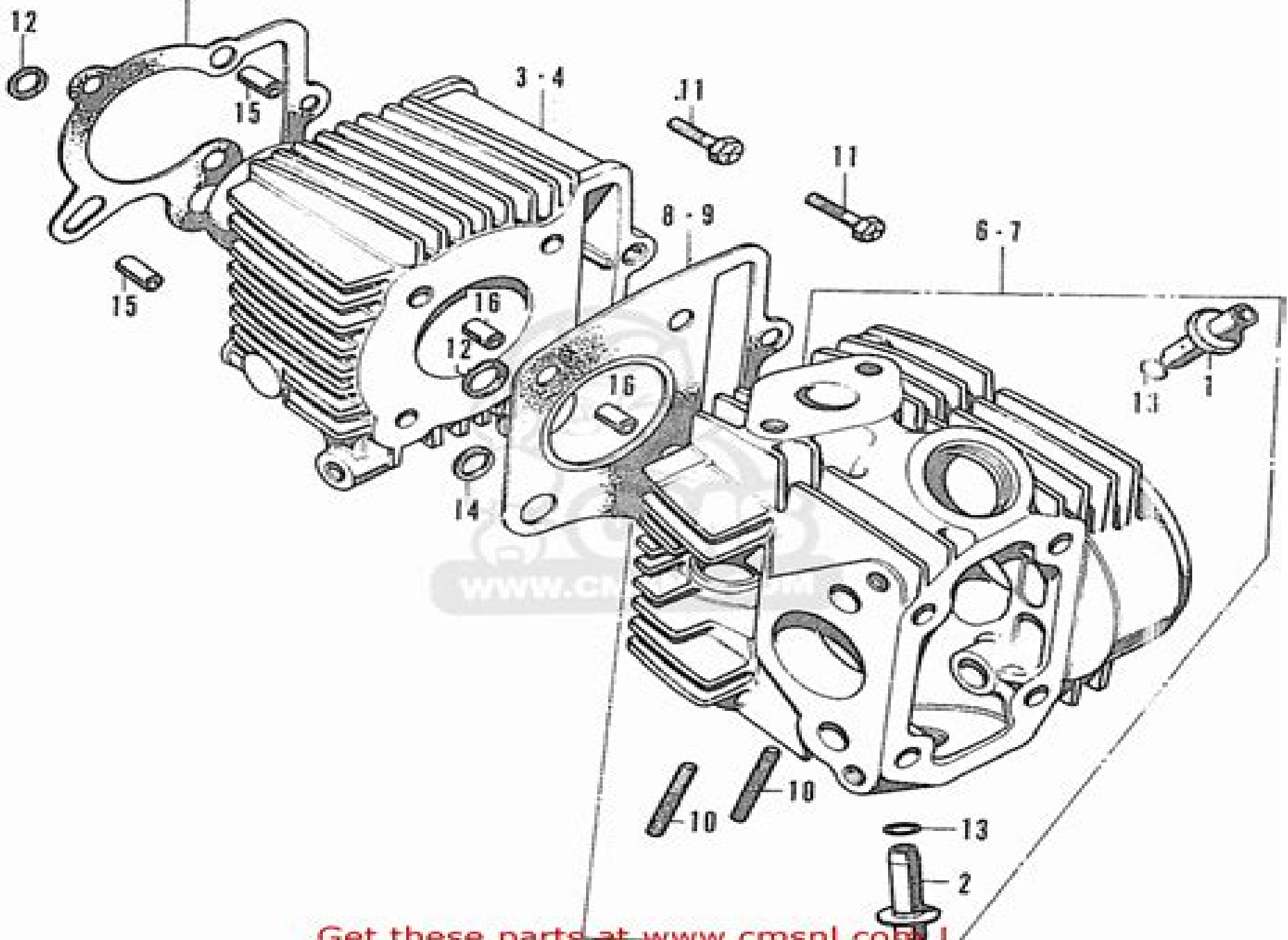


CYLINDER - CYLINDER HEAD



Get these parts at www.cmsol.com !

Xrm 110 Engine Manual

Didier Musso



Xrm 110 Engine Manual:

Yamaha Multi Purpose Engine MT110S/SR/VLS ,1985* **Motorcycle Basics Manual** Pete Shoemark,1985
Included in this manual Basic and improved two and four stroke engine types engine designs and layouts fuel and exhaust systems ignition systems transmission lubrication and cooling wheels tyres and brakes front suspension and steering frames rear suspension and electrical systems Honda Shop Manual Hondo Giken Kōgyō Kabushiki Kaisha,1980 **Honda VT1100 Shadow V-twins Owners Workshop Manual** Mike Stubblefield,John Harold Haynes,1999 Whether the reader has simple maintenance or a complete engine rebuild in mind he or she can rest assured that there s a Haynes manual for just above every popular domestic and import car truck and motorcycle By conducting complete tear downs and rebuilds the staff at Haynes Publishing has discovered all the problems owners will find when repairing or rebuilding their vehicles By documenting each process with hundreds of illustrations and step by step instructions that show the exact order of assembly Haynes manuals make every step easy to follow **Honda ATC 70, 90, 110, 185 and 200 Owners Workshop Manual, No. M565** John Haynes,1988-03-31 Haynes disassembles every subject vehicle and documents every step with thorough instructions and clear photos Haynes repair manuals are used by the pros but written for the do it yourselfer **The Oil Engine Manual** P.P. - London. - Oil Engine,1950

Unveiling the Magic of Words: A Review of "**Xrm 110 Engine Manual**"

In some sort of defined by information and interconnectivity, the enchanting power of words has acquired unparalleled significance. Their power to kindle emotions, provoke contemplation, and ignite transformative change is actually awe-inspiring. Enter the realm of "**Xrm 110 Engine Manual**," a mesmerizing literary masterpiece penned by way of a distinguished author, guiding readers on a profound journey to unravel the secrets and potential hidden within every word. In this critique, we shall delve into the book's central themes, examine its distinctive writing style, and assess its profound affect on the souls of its readers.

https://py.bijouxmedusa.com/book/book-search/fetch.php/color_correction_look_book_creative_grading_techniques.pdf

Table of Contents Xrm 110 Engine Manual

1. Understanding the eBook Xrm 110 Engine Manual
 - The Rise of Digital Reading Xrm 110 Engine Manual
 - Advantages of eBooks Over Traditional Books
2. Identifying Xrm 110 Engine Manual
 - Exploring Different Genres
 - Considering Fiction vs. Non-Fiction
 - Determining Your Reading Goals
3. Choosing the Right eBook Platform
 - Popular eBook Platforms
 - Features to Look for in an Xrm 110 Engine Manual
 - User-Friendly Interface
4. Exploring eBook Recommendations from Xrm 110 Engine Manual
 - Personalized Recommendations
 - Xrm 110 Engine Manual User Reviews and Ratings
 - Xrm 110 Engine Manual and Bestseller Lists

5. Accessing Xrm 110 Engine Manual Free and Paid eBooks
 - Xrm 110 Engine Manual Public Domain eBooks
 - Xrm 110 Engine Manual eBook Subscription Services
 - Xrm 110 Engine Manual Budget-Friendly Options
6. Navigating Xrm 110 Engine Manual eBook Formats
 - ePub, PDF, MOBI, and More
 - Xrm 110 Engine Manual Compatibility with Devices
 - Xrm 110 Engine Manual Enhanced eBook Features
7. Enhancing Your Reading Experience
 - Adjustable Fonts and Text Sizes of Xrm 110 Engine Manual
 - Highlighting and Note-Taking Xrm 110 Engine Manual
 - Interactive Elements Xrm 110 Engine Manual
8. Staying Engaged with Xrm 110 Engine Manual
 - Joining Online Reading Communities
 - Participating in Virtual Book Clubs
 - Following Authors and Publishers Xrm 110 Engine Manual
9. Balancing eBooks and Physical Books Xrm 110 Engine Manual
 - Benefits of a Digital Library
 - Creating a Diverse Reading Collection Xrm 110 Engine Manual
10. Overcoming Reading Challenges
 - Dealing with Digital Eye Strain
 - Minimizing Distractions
 - Managing Screen Time
11. Cultivating a Reading Routine Xrm 110 Engine Manual
 - Setting Reading Goals Xrm 110 Engine Manual
 - Carving Out Dedicated Reading Time
12. Sourcing Reliable Information of Xrm 110 Engine Manual
 - Fact-Checking eBook Content of Xrm 110 Engine Manual
 - Distinguishing Credible Sources
13. Promoting Lifelong Learning

- Utilizing eBooks for Skill Development
 - Exploring Educational eBooks
14. Embracing eBook Trends
- Integration of Multimedia Elements
 - Interactive and Gamified eBooks

Xrm 110 Engine Manual Introduction

In this digital age, the convenience of accessing information at our fingertips has become a necessity. Whether its research papers, eBooks, or user manuals, PDF files have become the preferred format for sharing and reading documents. However, the cost associated with purchasing PDF files can sometimes be a barrier for many individuals and organizations. Thankfully, there are numerous websites and platforms that allow users to download free PDF files legally. In this article, we will explore some of the best platforms to download free PDFs. One of the most popular platforms to download free PDF files is Project Gutenberg. This online library offers over 60,000 free eBooks that are in the public domain. From classic literature to historical documents, Project Gutenberg provides a wide range of PDF files that can be downloaded and enjoyed on various devices. The website is user-friendly and allows users to search for specific titles or browse through different categories. Another reliable platform for downloading Xrm 110 Engine Manual free PDF files is Open Library. With its vast collection of over 1 million eBooks, Open Library has something for every reader. The website offers a seamless experience by providing options to borrow or download PDF files. Users simply need to create a free account to access this treasure trove of knowledge. Open Library also allows users to contribute by uploading and sharing their own PDF files, making it a collaborative platform for book enthusiasts. For those interested in academic resources, there are websites dedicated to providing free PDFs of research papers and scientific articles. One such website is Academia.edu, which allows researchers and scholars to share their work with a global audience. Users can download PDF files of research papers, theses, and dissertations covering a wide range of subjects. Academia.edu also provides a platform for discussions and networking within the academic community. When it comes to downloading Xrm 110 Engine Manual free PDF files of magazines, brochures, and catalogs, Issuu is a popular choice. This digital publishing platform hosts a vast collection of publications from around the world. Users can search for specific titles or explore various categories and genres. Issuu offers a seamless reading experience with its user-friendly interface and allows users to download PDF files for offline reading. Apart from dedicated platforms, search engines also play a crucial role in finding free PDF files. Google, for instance, has an advanced search feature that allows users to filter results by file type. By specifying the file type as "PDF," users can find websites that offer free PDF downloads on a specific topic. While downloading Xrm 110 Engine Manual free PDF files is convenient, its

important to note that copyright laws must be respected. Always ensure that the PDF files you download are legally available for free. Many authors and publishers voluntarily provide free PDF versions of their work, but its essential to be cautious and verify the authenticity of the source before downloading Xrm 110 Engine Manual. In conclusion, the internet offers numerous platforms and websites that allow users to download free PDF files legally. Whether its classic literature, research papers, or magazines, there is something for everyone. The platforms mentioned in this article, such as Project Gutenberg, Open Library, Academia.edu, and Issuu, provide access to a vast collection of PDF files. However, users should always be cautious and verify the legality of the source before downloading Xrm 110 Engine Manual any PDF files. With these platforms, the world of PDF downloads is just a click away.

FAQs About Xrm 110 Engine Manual Books

How do I know which eBook platform is the best for me? Finding the best eBook platform depends on your reading preferences and device compatibility. Research different platforms, read user reviews, and explore their features before making a choice. Are free eBooks of good quality? Yes, many reputable platforms offer high-quality free eBooks, including classics and public domain works. However, make sure to verify the source to ensure the eBook credibility. Can I read eBooks without an eReader? Absolutely! Most eBook platforms offer webbased readers or mobile apps that allow you to read eBooks on your computer, tablet, or smartphone. How do I avoid digital eye strain while reading eBooks? To prevent digital eye strain, take regular breaks, adjust the font size and background color, and ensure proper lighting while reading eBooks. What the advantage of interactive eBooks? Interactive eBooks incorporate multimedia elements, quizzes, and activities, enhancing the reader engagement and providing a more immersive learning experience. Xrm 110 Engine Manual is one of the best book in our library for free trial. We provide copy of Xrm 110 Engine Manual in digital format, so the resources that you find are reliable. There are also many Ebooks of related with Xrm 110 Engine Manual. Where to download Xrm 110 Engine Manual online for free? Are you looking for Xrm 110 Engine Manual PDF? This is definitely going to save you time and cash in something you should think about. If you trying to find then search around for online. Without a doubt there are numerous these available and many of them have the freedom. However without doubt you receive whatever you purchase. An alternate way to get ideas is always to check another Xrm 110 Engine Manual. This method for see exactly what may be included and adopt these ideas to your book. This site will almost certainly help you save time and effort, money and stress. If you are looking for free books then you really should consider finding to assist you try this. Several of Xrm 110 Engine Manual are for sale to free while some are payable. If you arent sure if the books you would like to download works with for usage along with your computer, it is possible to download free trials. The free guides make it easy for someone to free

access online library for download books to your device. You can get free download on free trial for lots of books categories. Our library is the biggest of these that have literally hundreds of thousands of different products categories represented. You will also see that there are specific sites catered to different product types or categories, brands or niches related with Xrm 110 Engine Manual. So depending on what exactly you are searching, you will be able to choose e books to suit your own need. Need to access completely for Campbell Biology Seventh Edition book? Access Ebook without any digging. And by having access to our ebook online or by storing it on your computer, you have convenient answers with Xrm 110 Engine Manual To get started finding Xrm 110 Engine Manual, you are right to find our website which has a comprehensive collection of books online. Our library is the biggest of these that have literally hundreds of thousands of different products represented. You will also see that there are specific sites catered to different categories or niches related with Xrm 110 Engine Manual So depending on what exactly you are searching, you will be able to choose ebook to suit your own need. Thank you for reading Xrm 110 Engine Manual. Maybe you have knowledge that, people have search numerous times for their favorite readings like this Xrm 110 Engine Manual, but end up in harmful downloads. Rather than reading a good book with a cup of coffee in the afternoon, instead they juggled with some harmful bugs inside their laptop. Xrm 110 Engine Manual is available in our book collection an online access to it is set as public so you can download it instantly. Our digital library spans in multiple locations, allowing you to get the most less latency time to download any of our books like this one. Merely said, Xrm 110 Engine Manual is universally compatible with any devices to read.

Find Xrm 110 Engine Manual :

color correction look book creative grading techniques

computer practical question and answer for waec 2014 2015

color science concepts and methods quantitative data and formulae

common errors in english usage paul brians

computer science scheme of work khalsasecondary

contemporary engineering economics 5th edition solutions manual

concepts and applications of finite element analysis solution

conceptual design of chemical processes pdf

combating fake news an agenda for research and action

color atlas of anatomy

composite materials for aircraft structures

~~comparative and international education issues for teachers international perspectives on education reform series~~

[contabilidad administrativa ramirez padilla 9na edicion pdf](#)

[conceptual physics practice page chapter 33 answers](#)

[constantine versus the bankers military industrial church complex new world order todayam](#)

Xrm 110 Engine Manual :

projekt g gesellschaftslehre 1 ausgabe rheinland pfalz projekt g - Mar 28 2023

web begleitband klasse 5 6 gesellschaftslehre hardcover kartoniert paperback 136 seiten

ernst klett verlag projekt g gesellschaftslehre 1 ausgabe bb - Oct 23 2022

web mit den projekt g kopiervorlagen gelingt ein differenzierender unterricht ohne aufwendige vorbereitung 44

kopiervorlagen zu den wichtigen themen der gesellschaftslehre aus den bereichen erdkunde geschichte und politik jede kopiervorlage in zwei niveaus lösungen zum nachschlagen

ernst klett verlag projekt g gesellschaftslehre 1 ausgabe rheinland - May 30 2023

web projekt g gesellschaftslehre 1 ausgabe rheinland pfalz ab 2015 digitaler unterrichtsassistent einzellizenz mit dvd klasse 5 6

projekt g gesellschaftslehre 1 ausgabe rheinland download - Jun 18 2022

web projekt g gesellschaftslehre 1 ausgabe rheinland 2022 02 17 kade pope english g 21 walter de gruyter gmbh co kg new technologies have radically transformed our relationship to information in general and to little bits of information in particular the assessment of history learning which for a century has

9783124089465 projekt g gesellschaftslehre 1 ausgabe rheinland - Jan 26 2023

web projekt g gesellschaftslehre 1 ausgabe rheinland pfalz finden sie alle bücher von klett schulbuchverlag bei der büchersuchmaschine eurobuch de können sie antiquarische und neubücher vergleichen und sofort zum bestpreis bestellen 9783124089465 neue ausgabe gesellschaftslehre rheinland pfalzbroschiertes

ernst klett verlag projekt g gesellschaftslehre 1 ausgabe rheinland - Feb 12 2022

web projekt g gesellschaftslehre 1 ausgabe rheinland pfalz gesamtschule ab 2009 ebook printplus lizenz schule zu 978 3 12 408910 6 klasse 5 6

ernst klett verlag projekt g gesellschaftslehre 1 ausgabe rheinland - Mar 16 2022

web projekt g gesellschaftslehre 1 ausgabe rheinland pfalz ab 2015 ebook printplus lizenz schule zu 978 3 12 408946 5 klasse 5 6

projekt g gesellschaftslehre 1 ausgabe rheinland pfalz - Dec 25 2022

web projekt g gesellschaftslehre 1 ausgabe rheinland pfalz isbn 978 3 12 408946 5 bestellen schnelle lieferung auch auf

rechnung lehmanns de

ernst klett verlag projekt g gesellschaftslehre 1 ausgabe rheinland - Jun 30 2023

web projekt g gesellschaftslehre 1 ausgabe rheinland pfalz ab 2015 digitaler unterrichtsassistent klasse 5 6

ernst klett verlag projekt g gesellschaftslehre 1 ausgabe rheinland - Oct 03 2023

web ernst klett verlag projekt g gesellschaftslehre 1 ausgabe rheinland pfalz ab 2015 produktetails projekt g gesellschaftslehre 1 ausgabe rheinland pfalz ab 2015 schulbuch klasse 5 6 blättern im buch isbn 978 3 12 408946 5 umfang 286 seiten 31 50 inkl mwst 20 prüfnachlass für lehrkräfte erklärung der symbole

projekt g schülerband 1 neue ausgabe gesellschaftslehre rheinland - Feb 24 2023

web projekt g gesellschaftslehre ausgabe für rheinland pfalz ab 2015 verlag klett artikelnr des verlag 408946 1 aufl seitenzahl 286 erscheinungstermin august 2015 deutsch abmessung 264mm x 200mm x 17mm gewicht 750g isbn 13 9783124089465 isbn 10 3124089464 artikelnr 42407211

9783124089564 projekt g gesellschaftslehre 1 ausgabe rheinland - Sep 21 2022

web projekt g gesellschaftslehre 1 ausgabe rheinland pfalz begleitband klasse 5 6 projekt g gesellschaftslehre ausgabe für rheinland pfalz ab 2015 finden sie alle bücher von klett schulbuchverlag bei der büchersuchmaschine eurobuch com können sie antiquarische und neubücher vergleichen und sofort zum bestpreis bestellen

ernst klett verlag projekt g gesellschaftslehre 1 ausgabe rheinland - May 18 2022

web der projekt g begleitband für lehrerinnen und lehrer enthält alles was sie für einen differenzierenden unterricht in gesellschaftslehre brauchen zu jedem schulbuchkapitel finden sie die kompetenzen die die schülerinnen und schüler erwerben

projekt g ausgabe für rheinland pfalz 5 projekt g gesellschaftslehre - Jul 20 2022

web bücher bei weltbild jetzt projekt g ausgabe für rheinland pfalz 5 projekt g gesellschaftslehre 1 ausgabe rheinland pfalz versandkostenfrei bestellen bei weltbild ihrem bücher spezialisten

9783124089106 projekt g gesellschaftslehre 1 ausgabe rheinland - Aug 21 2022

web projekt g gesellschaftslehre 1 ausgabe rheinland pfalz gesamtschule finden sie alle bücher von klett schulbuchverlag bei der büchersuchmaschine eurobuch com können sie antiquarische und neubücher vergleichen und sofort zum bestpreis bestellen 9783124089106 ed taschenbuch pu klett unbenutzt

projekt g ausgabe rheinland pfalz ernst klett verlag - Aug 01 2023

web projekt g gesellschaftslehre 1 ausgabe rheinland pfalz ab 2015 schulbuch klasse 5 6 isbn 978 3 12 408946 5 weitere informationen blättern im buch 31 50 inkl mwst

ernst klett verlag projekt g gesellschaftslehre 1 ausgabe rheinland - Sep 02 2023

web ausgabe rheinland pfalz ab 2015 ebook einzellizenz zu 978 3 12 408946 5 klasse 5 6 produktnummer ech00065eba12 im lieferumfang enthalten sofortiger zugang zur online anwendung nutzer schlüssel laufzeit 1 jahr 5 monate laufzeitbeginn ab einlösung des nutzer schlüssels 5 95 inkl mwst

projekt g gesellschaftslehre 1 ausgabe rheinland pfalz - Apr 28 2023

web projekt g gesellschaftslehre 1 ausgabe rheinland pfalz schulbuch klasse 5 6 neue ausgabe gesellschaftslehre rheinland pfalz projekt g gesellschaftslehre ausgabe für rheinland pfalz ab 2015 isbn 9783124089465 kostenloser versand für alle bücher mit versand und verkauf duch amazon

ernst klett verlag projekt g gesellschaftslehre 1 ausgabe rheinland - Apr 16 2022

web projekt g gesellschaftslehre 1 ausgabe rheinland pfalz gesamtschule ab 2009 schulbuch klasse 5 6 blättern im buch isbn 978 3 12 408910 6 umfang 264 seiten 34 95 inkl mwst 20 prüfnachlass für lehrkräfte erklärung der symbole lieferbedingungen anzahl in den warenkorb auf die merkliste produktinformationen

projekt g schülerband 1 neue ausgabe gesellschaftslehre rheinland - Nov 23 2022

web neue ausgabe gesellschaftslehre rheinland pfalz schulbuch gebundene ausgabe 31 50 inkl gesetzl mwst versandkostenfrei artikel liefern lassen sofort lieferbar

living well spending less 12 secrets of the good life amazon in - Jan 27 2022

web living well spending less 12 secrets of the good life ruth soukup leçons de choses cours moyen boulet et chabanas the great landowners of east yorkshire

living well spending less 12 secrets of the good life - Sep 03 2022

web living well spending less 12 secrets of the good life audible audiobook unabridged ruth soukup author charity spencer narrator zondervan publisher

living well spending less 12 secrets of the good life four - May 31 2022

web mar 15 2015 living well spending less 12 secrets of the good life customer reviews customer reviews 4 4 out of 5 915 global ratings living well spending less

living well spending less 12 secrets of the good life - Oct 24 2021

living well spending less 12 secrets of the good life - Jun 12 2023

web popular blogger ruth soukup with 1 6 million unique monthly visitors to living well spending less offers tips advice and inspiration for living on a budget ruth soukup

living well spending less 12 secrets of the good life soukup - Jul 13 2023

web dec 30 2014 in a word yes ruth soukup knows firsthand how stressful an unorganized life and budget can be through

personal stories biblical truth and practical action

living well spending less 12 secrets of the good life google - Mar 09 2023

web who needs this book living well spending less was written to bring hope and encouragement to every woman who currently feels overwhelmed or stressed with a life

living well spending less 12 secrets of the good life google - May 11 2023

web living well spending less 12 secrets of the good life ebook written by ruth soukup read this book using google play books app on your pc android ios devices

living well spending less 12 secrets of the good life - Feb 08 2023

web dec 30 2014 living well spending less is an incredible book that will teach you how to spend smart without compromising a great life ruth s stories and practical advice will

living well spending less 12 secrets of the good life - Nov 05 2022

web language english 237 pages 22 cm ruth soukup shares some of her own journey to finding the good life and also provides her readers with all the practical advice and real

living well spending less 12 secrets of the good life ebook - Dec 06 2022

web living well spending less 12 secrets of the good life audio download ruth soukup charity spencer zondervan amazon co uk audible books originals

living well spending less 12 secrets of the good life - Oct 04 2022

web living well spending less is about more than planning a better budget or maintaining an organized home it offers tips for easing stress and improving time management here

living well spending less 12 secrets of the good life ruth - Nov 24 2021

living well spending less 12 secrets of the good life - Feb 25 2022

web discover and share books you love on goodreads

amazon com customer reviews living well spending less 12 - Mar 29 2022

web living well spending less 12 secrets of the good life soukup ruth amazon in books

living well spending less 12 secrets of the good life - Aug 02 2022

web about the author 2016 new york times bestselling author ruth soukup is dedicated to helping people break through fear and create a life they love through her top ranked do

living well spending less 12 secrets of the good life google - Jan 07 2023

web dec 30 2014 living well spending less 12 secrets of the good life kindle edition by ruth soukup author format kindle

edition 1 482 ratings see all formats and editions

[living well spending less 12 secrets of the good life](#) - Apr 10 2023

web living well spending less 12 secrets of the good life kindle edition by ruth soukup author format kindle edition 804 ratings see all formats and editions kindle edition

living well spending less 12 secrets of the good life - Apr 29 2022

web living well spending less 12 secrets of the good life author ruth soukup summary ruth soukup is the very successful founder and writer of the popular blog living well

living well spending less 12 secrets of the good life - Aug 14 2023

web living well spending less 12 secrets of the good life soukup ruth gigante phil archer nick amazon com tr [loading interface goodreads](#) - Dec 26 2021

[living well spending less 12 secrets of the good life](#) - Jul 01 2022

web living well spending less 12 secrets of the good life soukup ruth spencer charity amazon com au books

what is the accounting cycle steps and definition netsuite - May 30 2022

web oct 27 2022 key takeaways the accounting cycle is an eight step process companies use to identify and record their financial transactions before companies can close their books transactions must be balanced and devoid of errors once the accounting cycle is completed financial statements can be generated accounting cycle explained

practice problems demonstration problemaylor academy - Feb 24 2022

web course catalog business administration bus103 introduction to financial accounting sections unit 2 recording business transactions unit 2 assessment practice problems back to unit 2 assessment practice problems complete these exercises and practice problems check your answers after you finish demonstration problem

chapter 4 completing the accounting cycle - Aug 13 2023

web b yes all companies have an accounting cycle that begins with analyzing and journalizing transactions and ends with a post closing trial balance however companies may differ in how they implement the steps in the accounting cycle for example while most companies use computerized accounting systems some companies may use manual systems 9

accounting cycle problems solutions pdf debits and - Jun 30 2022

web accounting cycle problems solutions uploaded by urandom101 djdj copyright all rights reserved available formats download as pdf txt or read online from scribd flag for inappropriate content download now of 18 problem 1 journalise the following transactions post them into ledger and balance the

[accounting cycle exercises i kenyatta university](#) - Jun 11 2023

web accounting cycle exercises i kenyatta university this pdf book provides exercises and solutions to help you understand the steps involved in the accounting cycle from analyzing transactions to preparing financial statements you will learn how to record revenues and expenses adjust entries close accounts and more

completing the accounting cycle - Feb 07 2023

web the accounting process that begins with analyzing and journalizing transactions and ends with summarizing and reporting these transactions is called the accounting cycle the most important output of this cycle is the financial statements the basic steps of the accounting cycle are shown by number in the flowchart in exhibit 1

accounting cycle exercises iii kenyatta university - Oct 03 2022

web accounting cycle exercises iii 8 problem 1 solution solution 1 general journal date accounts debit credit jun 1 prepaid insurance 9 000 cash 9 000 purchased 18 month policy dec 30 insurance expense 3 500 prepaid insurance 3 500 to record expiration of 7 months of coverage 7 18 x 9 000 general journal date accounts

chapter 3 the accounting cycle capturing - Aug 01 2022

web the accounting cycle 1 2 5 9 10 analysis objectives learning analysis 6 7 preparing a trial balance 3 5 8 9 accounting equation relationships 2 6 descriptions of problems and critical thinking cases problems sets a and b 30 medium 30 medium 35 medium 60 strong 50 strong 50 strong

accounting cycle problems and solutions future accountant - Oct 15 2023

web accounting cycle problems and solutions prb 10 problem 1 journalise the following transactions post them into ledger and balance the accounts also prepare a trial balance solution general ledger books of mr manohar trial balance modern method problem 2 journalise the following transactions and post them into the ledger

accounting cycle explained 8 step process tipalti - Jan 06 2023

web the standardized accounting cycle process supported by accounting systems is important because it helps business owners small businesses and established companies close their books for the accounting period and generate financial information to perform financial statement analysis and manage the business

chapter 4 the accounting cycle accruals and - Dec 05 2022

web descriptions of problems and critical thinking cases problems sets a and b 4 1 a b 20 easy 4 2 a b 40 medium 4 3 a b 25 strong 4 4 a b 4 5 a b 30 medium 4 6 a b 30 medium requires students to prepare adjusting entries and interpret financial information below are brief descriptions of each problem and case

quiz the basic accounting cycle practice khan academy - May 10 2023

web google classroom put the first five stages of the accounting cycle in order record the entries in the journal analyze business transactions from source documents prepare an unadjusted trial balance post the entries to the ledger adjust the

accounts and prepare an adjusted trial balance report a problem do 7 problems

principles of acc problems accountancy knowledge - Mar 28 2022

web mar 26 2018 accounting equation problems and solutions accounting variation proforma problems and solutions journal entry problems and solutions general ledger problems and solutions trial balance problems and solutions books of accounts problems and solutions single column cash book problems and

accounting cycle 8 steps in the accounting cycle diagram guide - Apr 09 2023

web the accounting cycle is the holistic process of recording and processing all financial transactions of a company from when the transaction occurs to its representation on the financial statements to closing the accounts one of the main duties of a bookkeeper is to keep track of the full accounting cycle from start to finish

problem 1 completing the accounting cycle - Jul 12 2023

web mar 31 2019 completing the accounting cycle what is the accounting cycle process of preparing closing entries explain the purpose of a worksheet a worksheet is a permanent accounting record and its use is required in the accounting cycle do you agree explain

1 17 accounting cycle comprehensive example unizin - Nov 04 2022

web 1 17 accounting cycle comprehensive example we have gone through the entire accounting cycle for printing plus with the steps spread over three chapters let s go through the complete accounting cycle for another company here the full accounting cycle diagram is presented in figure 1 33 figure 1 33 the accounting cycle rice

the accounting cycle 8 steps you need to know forbes - Mar 08 2023

web mar 21 2023 what is the accounting cycle why is the accounting cycle important 8 steps in the accounting cycle frequently asked questions faqs accurate bookkeeping is a necessity for any

5 4 appendix complete a comprehensive accounting cycle for - Sep 14 2023

web one step in the accounting cycle that we did not cover is reversing entries reversing entries can be made at the beginning of a new period to certain accruals the company will reverse adjusting entries made in the prior period to the revenue and expense accruals

journal entry problems and solutions accountancy knowledge - Sep 02 2022

web apr 1 2016 journal entry problems and solutions click here to download journal entry problems and solutions previous lesson accounting variation proforma problems and solutions next lesson general ledger practice questions journal entry is first step in accounting cycle

ch14 problems with answer and solutions studocu - Apr 28 2022

web ch14 problems with answer and solutions chapter 14 process costing and the cost accounting cycle studocu students

shared 13096 documents in this course this document has been uploaded by a student just like you who decided to remain anonymous 230390594 law on sales bs accountancy gec 4 mathematics in