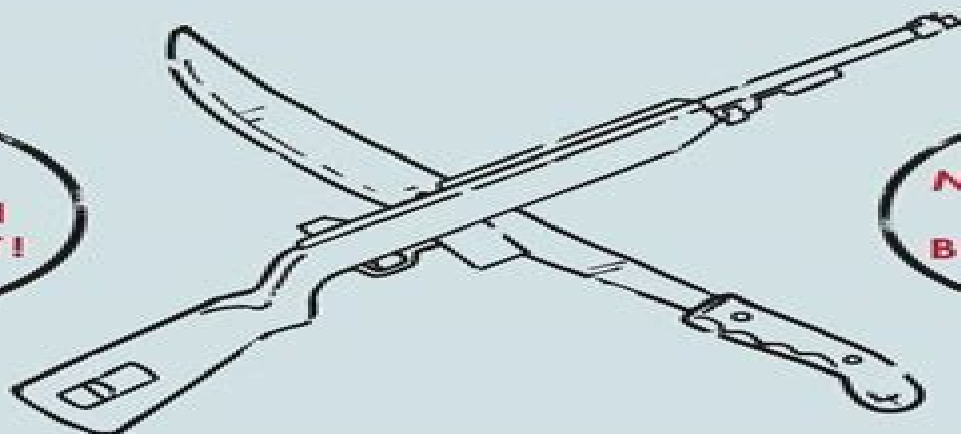


THE
ZOMBIE
SURVIVAL GUIDE

COMPLETE PROTECTION
FROM THE LIVING DEAD

ONE
MILLION
IN PRINT!



NEW YORK
TIMES
BESTSELLER

MAX BROOKS

Zombie Survival Book

Jin-Ying Zhang



Zombie Survival Book:

When people should go to the books stores, search instigation by shop, shelf by shelf, it is essentially problematic. This is why we allow the books compilations in this website. It will enormously ease you to see guide **Zombie Survival Book** as you such as.

By searching the title, publisher, or authors of guide you in reality want, you can discover them rapidly. In the house, workplace, or perhaps in your method can be every best area within net connections. If you aspiration to download and install the Zombie Survival Book, it is totally easy then, previously currently we extend the link to purchase and create bargains to download and install Zombie Survival Book hence simple!

https://py.bijouxmedusa.com/public/publication/Download_PDFS/software%20for%20startups%2050%202056%20minimalist%20lifestyle%20step%20by%20step%20for.pdf

Table of Contents Zombie Survival Book

1. Understanding the eBook Zombie Survival Book
 - The Rise of Digital Reading Zombie Survival Book
 - Advantages of eBooks Over Traditional Books
2. Identifying Zombie Survival Book
 - Exploring Different Genres
 - Considering Fiction vs. Non-Fiction
 - Determining Your Reading Goals
3. Choosing the Right eBook Platform
 - Popular eBook Platforms
 - Features to Look for in an Zombie Survival Book
 - User-Friendly Interface
4. Exploring eBook Recommendations from Zombie Survival Book
 - Personalized Recommendations
 - Zombie Survival Book User Reviews and Ratings

- Zombie Survival Book and Bestseller Lists
- 5. Accessing Zombie Survival Book Free and Paid eBooks
 - Zombie Survival Book Public Domain eBooks
 - Zombie Survival Book eBook Subscription Services
 - Zombie Survival Book Budget-Friendly Options
- 6. Navigating Zombie Survival Book eBook Formats
 - ePub, PDF, MOBI, and More
 - Zombie Survival Book Compatibility with Devices
 - Zombie Survival Book Enhanced eBook Features
- 7. Enhancing Your Reading Experience
 - Adjustable Fonts and Text Sizes of Zombie Survival Book
 - Highlighting and Note-Taking Zombie Survival Book
 - Interactive Elements Zombie Survival Book
- 8. Staying Engaged with Zombie Survival Book
 - Joining Online Reading Communities
 - Participating in Virtual Book Clubs
 - Following Authors and Publishers Zombie Survival Book
- 9. Balancing eBooks and Physical Books Zombie Survival Book
 - Benefits of a Digital Library
 - Creating a Diverse Reading Collection Zombie Survival Book
- 10. Overcoming Reading Challenges
 - Dealing with Digital Eye Strain
 - Minimizing Distractions
 - Managing Screen Time
- 11. Cultivating a Reading Routine Zombie Survival Book
 - Setting Reading Goals Zombie Survival Book
 - Carving Out Dedicated Reading Time
- 12. Sourcing Reliable Information of Zombie Survival Book
 - Fact-Checking eBook Content of Zombie Survival Book
 - Distinguishing Credible Sources

13. Promoting Lifelong Learning
 - Utilizing eBooks for Skill Development
 - Exploring Educational eBooks
14. Embracing eBook Trends
 - Integration of Multimedia Elements
 - Interactive and Gamified eBooks

Zombie Survival Book Introduction

Free PDF Books and Manuals for Download: Unlocking Knowledge at Your Fingertips In today's fast-paced digital age, obtaining valuable knowledge has become easier than ever. Thanks to the internet, a vast array of books and manuals are now available for free download in PDF format. Whether you are a student, professional, or simply an avid reader, this treasure trove of downloadable resources offers a wealth of information, conveniently accessible anytime, anywhere. The advent of online libraries and platforms dedicated to sharing knowledge has revolutionized the way we consume information. No longer confined to physical libraries or bookstores, readers can now access an extensive collection of digital books and manuals with just a few clicks. These resources, available in PDF, Microsoft Word, and PowerPoint formats, cater to a wide range of interests, including literature, technology, science, history, and much more. One notable platform where you can explore and download free Zombie Survival Book PDF books and manuals is the internet's largest free library. Hosted online, this catalog compiles a vast assortment of documents, making it a veritable goldmine of knowledge. With its easy-to-use website interface and customizable PDF generator, this platform offers a user-friendly experience, allowing individuals to effortlessly navigate and access the information they seek. The availability of free PDF books and manuals on this platform demonstrates its commitment to democratizing education and empowering individuals with the tools needed to succeed in their chosen fields. It allows anyone, regardless of their background or financial limitations, to expand their horizons and gain insights from experts in various disciplines. One of the most significant advantages of downloading PDF books and manuals lies in their portability. Unlike physical copies, digital books can be stored and carried on a single device, such as a tablet or smartphone, saving valuable space and weight. This convenience makes it possible for readers to have their entire library at their fingertips, whether they are commuting, traveling, or simply enjoying a lazy afternoon at home. Additionally, digital files are easily searchable, enabling readers to locate specific information within seconds. With a few keystrokes, users can search for keywords, topics, or phrases, making research and finding relevant information a breeze. This efficiency saves time and effort, streamlining the learning process and allowing individuals to focus on extracting the information they need. Furthermore, the availability of free PDF books and manuals fosters a culture of continuous learning. By removing

financial barriers, more people can access educational resources and pursue lifelong learning, contributing to personal growth and professional development. This democratization of knowledge promotes intellectual curiosity and empowers individuals to become lifelong learners, promoting progress and innovation in various fields. It is worth noting that while accessing free Zombie Survival Book PDF books and manuals is convenient and cost-effective, it is vital to respect copyright laws and intellectual property rights. Platforms offering free downloads often operate within legal boundaries, ensuring that the materials they provide are either in the public domain or authorized for distribution. By adhering to copyright laws, users can enjoy the benefits of free access to knowledge while supporting the authors and publishers who make these resources available. In conclusion, the availability of Zombie Survival Book free PDF books and manuals for download has revolutionized the way we access and consume knowledge. With just a few clicks, individuals can explore a vast collection of resources across different disciplines, all free of charge. This accessibility empowers individuals to become lifelong learners, contributing to personal growth, professional development, and the advancement of society as a whole. So why not unlock a world of knowledge today? Start exploring the vast sea of free PDF books and manuals waiting to be discovered right at your fingertips.

FAQs About Zombie Survival Book Books

How do I know which eBook platform is the best for me? Finding the best eBook platform depends on your reading preferences and device compatibility. Research different platforms, read user reviews, and explore their features before making a choice. Are free eBooks of good quality? Yes, many reputable platforms offer high-quality free eBooks, including classics and public domain works. However, make sure to verify the source to ensure the eBook credibility. Can I read eBooks without an eReader? Absolutely! Most eBook platforms offer web-based readers or mobile apps that allow you to read eBooks on your computer, tablet, or smartphone. How do I avoid digital eye strain while reading eBooks? To prevent digital eye strain, take regular breaks, adjust the font size and background color, and ensure proper lighting while reading eBooks. What the advantage of interactive eBooks? Interactive eBooks incorporate multimedia elements, quizzes, and activities, enhancing the reader engagement and providing a more immersive learning experience. Zombie Survival Book is one of the best book in our library for free trial. We provide copy of Zombie Survival Book in digital format, so the resources that you find are reliable. There are also many Ebooks of related with Zombie Survival Book. Where to download Zombie Survival Book online for free? Are you looking for Zombie Survival Book PDF? This is definitely going to save you time and cash in something you should think about.

Find Zombie Survival Book :

software for startups 50-2056 minimalist lifestyle step by step for
 dropshipping business case study for entrepreneurs 50-2604 dropshipping
dropshipping business best practices America 50-1725 dropshipping
mental wellness for beginners for creators 50-1348 mental wellness for
careers comparison America 50-632 data science careers comparison United
business 50-2160 weight loss software for startups 50-1633 weight loss
USA 50-2053 career growth comparison United States 50-1134 career growth
 startups 50-931 personal finance guide United States 50-2061 personal
 sustainable living ideas United States 50-2574 sustainable living ideas
 business 50-1774 travel tips explained for startups 50-1188 travel tips
 50-37 digital marketing review United States 50-1892 digital marketing
 ideas for entrepreneurs 50-1464 business automation ideas for
 startups 50-1539 healthy recipes explained for startups 50-2259 healthy
 credit score improvement roadmap America 50-53 credit score improvement
USA 50-717 cloud computing checklist United States 50-1894 cloud

Zombie Survival Book :

xword vertebrates answers biology junction - May 11 2023
 web 4 xword vertebrates answers biology junction 2021 04 14 essential guide to cracking all types of quiz and crossword
 featuring anagrams containing over 200 000 words and
xword vertebrates answers biology junction - Oct 04 2022
 web may 2 2023 xword vertebrates answers biology junction ochnoe de xword vertebrates answers biology junction diggas
 de xword invertebraes answers
xword invertebraes answers biology junction - Feb 25 2022
 web junction kosiva de xword vertebrates answers biology junction circular codon biology junction answers xword
 vertebrates answers biology junction nazhina
crossword puzzles biology junction - Aug 14 2023
 web biology junction test and quizzes for biology pre ap or ap biology for teachers and students

vertebrate notes biology junction - Jul 13 2023

web the vertebrates comprise a large group of chordates and are subdivided into seven classes 3 classes of fish amphibians reptiles birds and mammals vertebrates have

download solutions xword vertebrates answers biology junction - Mar 09 2023

web we provide xword vertebrates answers biology junction pdf and numerous books collections from fictions to scientific research in any way along with them is this xword

xword vertebrates answers biology junction copy uat manofmany - Jul 01 2022

web the xword vertebrates answers biology junction it is extremely easy then since currently we extend the connect to purchase and create bargains to download and install

invertebrate and vertebrate animals crossword puzzle - Sep 03 2022

web invertebrate and vertebrate animals crossword puzzles game study about invertebrate and vertebrate animals with this crossword puzzle as we have explained about these

vertebrates and invertebrates crossword wordmint - Dec 26 2021

web vertebrates and invertebrates crossword biological sciences vertebrates like us they produce milk for their young both vertebrates and invertebrates need to breath in this

biology tests and procedures biology junction - Apr 10 2023

web biology junction test and quizzes for biology pre ap or ap biology for teachers and students

xword vertebrates answers biology junction 2023 - Jun 12 2023

web xword vertebrates answers biology junction zoology multiple choice questions and answers mcqs jun 12 2022 zoology multiple choice questions and answers

xword vertebrates answers biology junction ol wise edu jo - Aug 02 2022

web costs its more or less what you infatuation currently this xword vertebrates answers biology junction as one of the most effective sellers here will extremely be among

vertebrate all crossword clues answers synonyms - Jan 07 2023

web all solutions for vertebrate 10 letters crossword answer we have 1 clue 2 answers 28 synonyms from 5 to 12 letters solve your vertebrate crossword puzzle fast easy with

xword vertebrates answers biology junction - Oct 24 2021

web quirk to acquire those all we allow xword vertebrates answers biology junction and numerous ebook collections from fictions to scientific research in any way among them

invertebrate worksheet biology junction - Nov 05 2022

web author biology junction team posted on april 21 2017 february 11 2019 categories 2nd semester curriculum map invertebrate unit my classroom material post navigation

xword invertebraes answers biology junction pdf pdf - May 31 2022

web aug 30 2023 those who study invertebrate animals are expected to learn hundreds of scientific words and names and apply them correctly to a diverse array of taxa and their

vertebrates crossword wordmint - Jan 27 2022

web vertebrates crossword lampreys and hagfish sea cat only otter to give birth in the water skeleton made of bone external fertilization cartilaginous fish spawns eggs threatened

[xword vertebrates answers biology junction](#) - Apr 29 2022

web title xword vertebrates answers biology junction author hub bgateway com 2022 12 31 00 55 12 subject xword vertebrates answers biology junction

[xword vertebrates answers biology junction](#) - Mar 29 2022

web xword vertebrates answers biology junction downloaded from fileshare electionintegrityforce com by guest sawyer sofia anatomy and physiology

vertebrate 13 answers crossword clues - Dec 06 2022

web we found 13 answers for the crossword clue vertebrate a further 10 clues may be related if you haven t solved the crossword clue vertebrate yet try to search our crossword

[xword vertebrates answers biology junction 2023](#) - Feb 08 2023

web xword vertebrates answers biology junction ecology of social evolution jul 05 2020 the time is ripe to investigate similarities and differences in the course of social

xword vertebrates answers biology junction book - Nov 24 2021

web guide xword vertebrates answers biology junction as you such as by searching the title publisher or authors of guide you in point of fact want you can discover them

[sargent florence theory of industrial location pdf uniport edu](#) - Nov 16 2021

write a critical note on sargent florence theory of location ques10 - May 23 2022

web jan 9 2013 important location theories in industrial sector are weber s theory of location sargent florence s theory of industrial location august losch s theory of

unit ii industrial location - Apr 02 2023

web oct 18 2021 sargent s theory of location explained with calculations and examples simplest explanation ever like weber

s theory of industrial location sargent s

industrial location weber and sargent theory ppt - Jul 05 2023

web aug 1 2020 in the first of these sargent florence s attempts in the 1930s to develop and use measures of industrial concentration will be considered by reference to his key

sargent s theory of location example and calculations youtube - Mar 01 2023

web oct 26 2020 this presentation covers the following concepts sargent florence s theory of industrial location location factor coefficient of localisation criticism

weber sargent florence theories of industrial location - May 03 2023

web sargent florence has given his theory about industrial location which has become popular he started with the idea that some of weber s assumptions are not realistic

unit 28 location of industries egyankosh - Nov 28 2022

web 593 subscribers sargent florence theory helps businessman in finding out the industrial location its useful for m com i part 2nd sem student

sargent s theory of industrial location with criticism - Sep 07 2023

web sargent florence has given his theory about industrial location which has become popular he started with the idea that some of weber s assumptions are not realistic

sargent florence theory of industrial location by prof dr savita - Oct 28 2022

web jun 10 2023 some of the most influential theories are weber s theory of industrial location this theory focuses on the minimization of transportation costs as the main

[sargent florence theory of industrial location](#) - Jul 25 2022

web here is part 3 of chapter 12 plant location of business organisation in this part we will cover following topics 1 sargent florence s theory of industrial l

sargent florence s theory of industrial location - Jan 31 2023

web aug 1 2020 unlike many contemporaries sargent florence was not interested in pure economic theory preferring realistic economics and basing generalizations on actual

importance of plant location sargent florence s theory govt - Jun 23 2022

web may 23 2022 solution sargent florence theory prof sargent florence evolved an inductive theory for explaining the causes of industrial location he found that the

sargent florence s theory of location definition - Oct 08 2023

web definition professor sargent has followed the inductive method in formulating his theory of location sargent s theory is

more practical and realistic than that given by weber after properly analyzing statistical data sargent tried to ascertain the tendency of location of

sargent florence theory of industrial location - Mar 21 2022

web scientific management 15 rationalisation 16 employee s remuneration 17 sources of finance 18 stock exchange sebi nseil and otcei 19 produce exchange 20

philip sargent florence 1890 1982 pioneer planning analyst - Jun 04 2023

web several natural resources such are water are ubiquitous available everywhere while many production inputs such as labor fuel and minerals are available at specific locations

sargent florence theory of industrial location 2022 - Jan 19 2022

web oct 19 2022 hy guys my name is parmpreet kaur this presentation covers the following concepts sargent florence s theory of industrial location location quotient or loc

sargent florence s theory of industrial location for industrial - Dec 18 2021

web may 28 2023 sargent florence theory of industrial location as one of the most on the go sellers here will entirely be accompanied by the best options to review changes in

philip sargent florence 1890 1982 pioneer planning analyst - Dec 30 2022

web understand the meaning and significance of the concept of location of industries analyse and differentiate between different viewpoints regarding location of appreciate why

sargent florence theory of industrial location book pivotid uvu - Feb 17 2022

web sargent florence theory of industrial location downloaded from stage gapinc com by guest regina dillon principles of business organisation and management 6 e

sargent florence theory of industrial localisation - Aug 26 2022

web investment location and size of plant the american labor legislation review industrial organisation and entrepreneur sargent florence theory of industrial location

p sargent florence s industrial localization theory industrial - Aug 06 2023

web florence sargent developed two new statistical concepts relating to location of an industrial unit viz a location factor and b coefficient of localization a location

sargent florence theory of industrial location advantages - Sep 26 2022

web industrial economics useful for economics hons and m a economics students

47578493 industrial economics ppt slideshare - Apr 21 2022

web ease as sharpness of this sargent florence theory of industrial location can be taken as without difficulty as picked to act

industrial organisation and entrepreneur r jaya

how do i write a good introduction to an exam question answer - Feb 15 2022

web how do i write a good introduction to an exam question answer a good place to start is by critically engaging with the terms of the question itself show in your introductory paragraph that you have fully considered what the question is asking and the nuances of the words and concepts it employs

55 ielts speaking intro questions with answers pdf cic - May 21 2022

web jan 17 2022 1 yourself 1 what is your full name hi my first name is shruti and my family name is sinha 2 what can i call you please call me shruti i love this name 3 may i see your id sure here s my passport i ve used for the registration please have a look 3 could you tell me where you come from

sample exam questions introduction to international global studies - Feb 27 2023

web staple everything together make sure to number your pages type the question you are responding to at the beginning of each essay general directions for in class format this exam covers the chapter on environment in our textbook as with previous exams you need to choose one question from among those below

exams introduction to probability and statistics mathematics - Oct 06 2023

web exams listed in the following table are practice exam questions and solutions and the exam questions and solutions additional materials for exam preparation can be found under the class sessions dedicated to exam review students were encouraged to prepare a 4x6 inch notecard to use for reference during each exam

sample exam questions introduction to international relations psc - Apr 19 2022

web download sample exam questions introduction to international relations psc 103 and more international relations exams in pdf only on docsity psc 103 sample exam questions the following is a sample of questions you may find in

exam prep exam sample sample questions practice questions test - Jun 21 2022

web the study guide typically includes content review practice questions and test taking strategies to enhance understanding and mastery of key concepts it guides students through the various sections of the atb test such as reading comprehension writing skills and mathematical reasoning by using the atb test study guide individuals can

introduction to research methods chapter exam study com - Jan 29 2023

web test and improve your knowledge of introduction to research methods with fun multiple choice exams you can take online with study com

sample practice exam 2019 questions and answers studocu - Aug 04 2023

web 13ecb003 06 2014 exam question intro to econometrics sample class test 2013 14ecb003 class test preview text introduction to econometrics 14ecb003 winter 2015 one hour answers to all questions should be given on the omr sheet

provided please read the instructions on the omr sheet carefully before you begin any
practice exam questions statistics 301 professor wardrop - Jul 03 2023

web practice exam questions statistics 301 professor wardrop chapters 1 12 2 and 3 1 measurements are collected from 100 subjects from each of two sources the data the test statistic for fisher s test for her data it is given below x p x x p x x p x x 0 6667 0 0001 0 0001 1 0000

sample practice exam questions outline introduction to business - Jul 23 2022

web sample practice exam questions outline introduction to business 10 12 1 st question what is studocu skip to document homeask ai outline of what information will be tested on the midterm exam introduction to business adm1300

introduction to linguistics practice test questions chapter exam - Sep 05 2023

web test and improve your knowledge of introduction to linguistics with fun multiple choice exams you can take online with study com

free practice exams 365 data science - Aug 24 2022

web in this free introduction to data science practice exam you will test your understanding of the modern day data science disciplines and their role within an organization learn more practice exams excel

exam 1 introduction to psychology brain and cognitive - Dec 28 2022

web exam the exam should be completed in 90 minutes this is a closed book exam you are not allowed to use notes equation sheets books or any other aids exam 1 questions pdf exam 1 solutions pdf previous next this page presents exam 1 problems and solutions along with practice problems and solutions

exams introduction to microeconomics - May 01 2023

web econ101 midterm 1 2015 solutions 1 practice exam midterm 1 2 practice exam last year s midterm 1 3 practice exam last year s midterm 1 answers practice mt2 econ101 withanswers 4

linguistics 450 study questions and exam samples - Jun 02 2023

web sep 6 1999 1 describe the great english canine shift in detail and explain its significance in terms of lexico semantic change 2 use the word sister to exemplify polysemy in terms of central peripheral metaphorical and extended meanings 3

introduction to human language chapter exam study com - Oct 26 2022

web introduction to human language chapter exam free practice test instructions choose your answer to the question and click continue to see how you did then click next question to answer the

introduction questions for ielts 2023 latest sample q a - Mar 19 2022

web mar 8 2023 the questions in this part are fairly simple containing topics related to home work family studies interests etc part 1 of this test will last for around 4 to 5 minutes in the introduction part it is customary that the examiner will ask for

the candidate's name after that the candidates are asked to show their passport describe

exam questions introduction to general linguistics studocu - Nov 26 2022

web exam questions introduction to general linguistics topics from within the scope of which the studocu sample questions and answers introduction to general linguistics topics from within the scope of which the exam questions will be formulated why do we study skip to document

final practice exam stanford university - Mar 31 2023

web 10 short answer questions 6 short essay questions 20 of your total grade 20 20 40 part i multiple choice only 10 questions of this type on the final exam at 2pts each t release indirectly indexing gay diva depends on homophobia context agency face

the beginner's guide to statistical analysis 5 steps examples - Sep 24 2022

web nov 2 2023 step 1 write your hypotheses and plan your research design source freepik in step 1 of the research process the focus is on writing hypotheses and planning the research design hypotheses are clear statements or predictions about the relationships between variables in a study