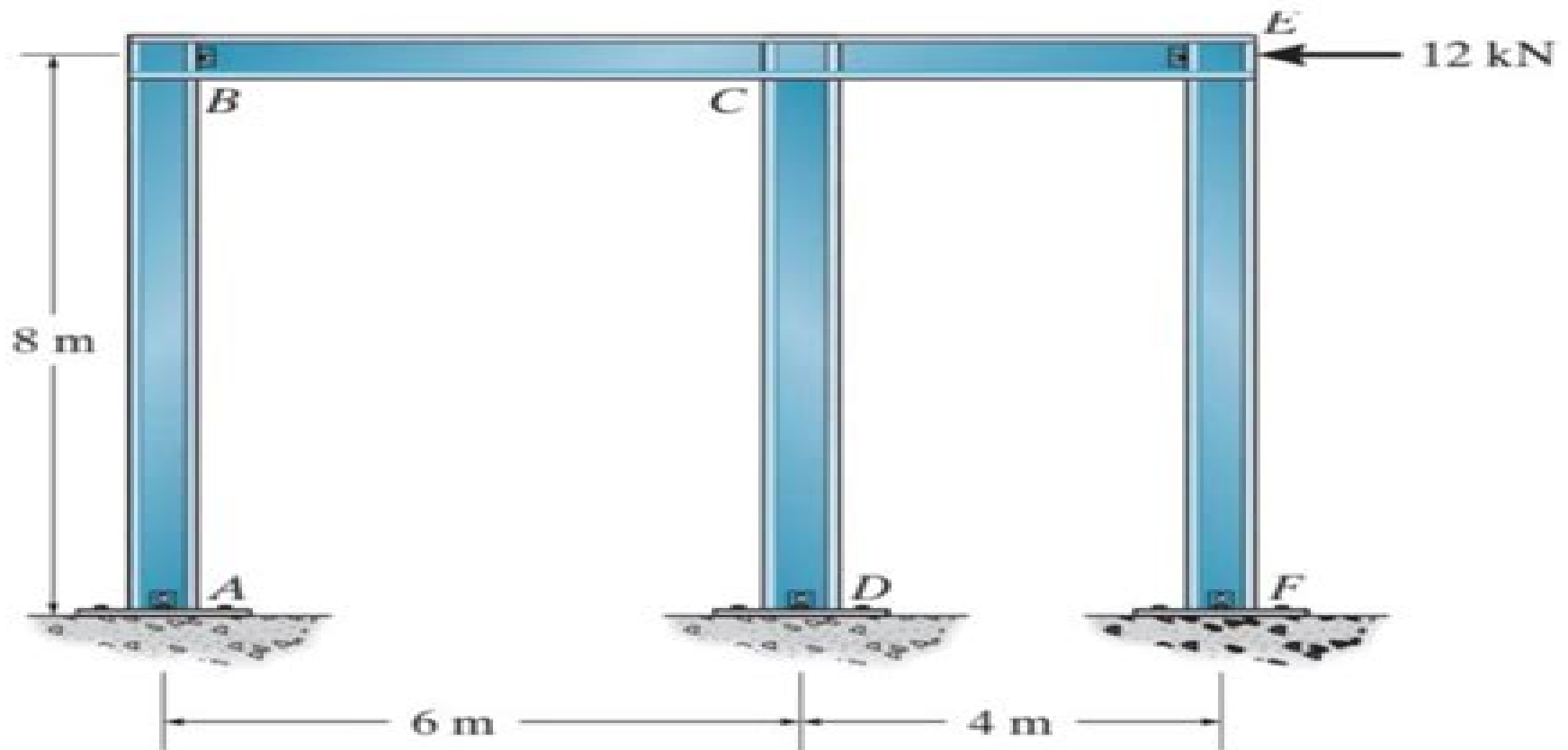


SOLVE USING MOMENT DISTRIBUTION METHOD, frames with sidesway



Prob. 11-24

Moment Distribution Method Study

Lingjun Ying



Moment Distribution Method Study:

Eventually, you will unquestionably discover a further experience and achievement by spending more cash. yet when? complete you acknowledge that you require to get those all needs when having significantly cash? Why dont you attempt to get something basic in the beginning? Thats something that will lead you to comprehend even more going on for the globe, experience, some places, similar to history, amusement, and a lot more?

It is your very own grow old to accomplishment reviewing habit. along with guides you could enjoy now is **Moment Distribution Method Study** below.

https://py.bijouxmedusa.com/results/book-search/Download_PDFS/tutorial_america_71_2685_instagram_growth_tutorial_america_71_512.pdf

Table of Contents Moment Distribution Method Study

1. Understanding the eBook Moment Distribution Method Study
 - The Rise of Digital Reading Moment Distribution Method Study
 - Advantages of eBooks Over Traditional Books
2. Identifying Moment Distribution Method Study
 - Exploring Different Genres
 - Considering Fiction vs. Non-Fiction
 - Determining Your Reading Goals
3. Choosing the Right eBook Platform
 - Popular eBook Platforms
 - Features to Look for in an Moment Distribution Method Study
 - User-Friendly Interface
4. Exploring eBook Recommendations from Moment Distribution Method Study
 - Personalized Recommendations
 - Moment Distribution Method Study User Reviews and Ratings
 - Moment Distribution Method Study and Bestseller Lists

5. Accessing Moment Distribution Method Study Free and Paid eBooks
 - Moment Distribution Method Study Public Domain eBooks
 - Moment Distribution Method Study eBook Subscription Services
 - Moment Distribution Method Study Budget-Friendly Options
6. Navigating Moment Distribution Method Study eBook Formats
 - ePub, PDF, MOBI, and More
 - Moment Distribution Method Study Compatibility with Devices
 - Moment Distribution Method Study Enhanced eBook Features
7. Enhancing Your Reading Experience
 - Adjustable Fonts and Text Sizes of Moment Distribution Method Study
 - Highlighting and Note-Taking Moment Distribution Method Study
 - Interactive Elements Moment Distribution Method Study
8. Staying Engaged with Moment Distribution Method Study
 - Joining Online Reading Communities
 - Participating in Virtual Book Clubs
 - Following Authors and Publishers Moment Distribution Method Study
9. Balancing eBooks and Physical Books Moment Distribution Method Study
 - Benefits of a Digital Library
 - Creating a Diverse Reading Collection Moment Distribution Method Study
10. Overcoming Reading Challenges
 - Dealing with Digital Eye Strain
 - Minimizing Distractions
 - Managing Screen Time
11. Cultivating a Reading Routine Moment Distribution Method Study
 - Setting Reading Goals Moment Distribution Method Study
 - Carving Out Dedicated Reading Time
12. Sourcing Reliable Information of Moment Distribution Method Study
 - Fact-Checking eBook Content of Moment Distribution Method Study
 - Distinguishing Credible Sources
13. Promoting Lifelong Learning

- Utilizing eBooks for Skill Development
 - Exploring Educational eBooks
14. Embracing eBook Trends
- Integration of Multimedia Elements
 - Interactive and Gamified eBooks

Moment Distribution Method Study Introduction

Free PDF Books and Manuals for Download: Unlocking Knowledge at Your Fingertips In today's fast-paced digital age, obtaining valuable knowledge has become easier than ever. Thanks to the internet, a vast array of books and manuals are now available for free download in PDF format. Whether you are a student, professional, or simply an avid reader, this treasure trove of downloadable resources offers a wealth of information, conveniently accessible anytime, anywhere. The advent of online libraries and platforms dedicated to sharing knowledge has revolutionized the way we consume information. No longer confined to physical libraries or bookstores, readers can now access an extensive collection of digital books and manuals with just a few clicks. These resources, available in PDF, Microsoft Word, and PowerPoint formats, cater to a wide range of interests, including literature, technology, science, history, and much more. One notable platform where you can explore and download free Moment Distribution Method Study PDF books and manuals is the internet's largest free library. Hosted online, this catalog compiles a vast assortment of documents, making it a veritable goldmine of knowledge. With its easy-to-use website interface and customizable PDF generator, this platform offers a user-friendly experience, allowing individuals to effortlessly navigate and access the information they seek. The availability of free PDF books and manuals on this platform demonstrates its commitment to democratizing education and empowering individuals with the tools needed to succeed in their chosen fields. It allows anyone, regardless of their background or financial limitations, to expand their horizons and gain insights from experts in various disciplines. One of the most significant advantages of downloading PDF books and manuals lies in their portability. Unlike physical copies, digital books can be stored and carried on a single device, such as a tablet or smartphone, saving valuable space and weight. This convenience makes it possible for readers to have their entire library at their fingertips, whether they are commuting, traveling, or simply enjoying a lazy afternoon at home. Additionally, digital files are easily searchable, enabling readers to locate specific information within seconds. With a few keystrokes, users can search for keywords, topics, or phrases, making research and finding relevant information a breeze. This efficiency saves time and effort, streamlining the learning process and allowing individuals to focus on extracting the information they need. Furthermore, the availability of free PDF books and manuals fosters a culture of continuous learning. By removing financial barriers, more people can access educational resources and pursue lifelong learning, contributing to

personal growth and professional development. This democratization of knowledge promotes intellectual curiosity and empowers individuals to become lifelong learners, promoting progress and innovation in various fields. It is worth noting that while accessing free Moment Distribution Method Study PDF books and manuals is convenient and cost-effective, it is vital to respect copyright laws and intellectual property rights. Platforms offering free downloads often operate within legal boundaries, ensuring that the materials they provide are either in the public domain or authorized for distribution. By adhering to copyright laws, users can enjoy the benefits of free access to knowledge while supporting the authors and publishers who make these resources available. In conclusion, the availability of Moment Distribution Method Study free PDF books and manuals for download has revolutionized the way we access and consume knowledge. With just a few clicks, individuals can explore a vast collection of resources across different disciplines, all free of charge. This accessibility empowers individuals to become lifelong learners, contributing to personal growth, professional development, and the advancement of society as a whole. So why not unlock a world of knowledge today? Start exploring the vast sea of free PDF books and manuals waiting to be discovered right at your fingertips.

FAQs About Moment Distribution Method Study Books

What is a Moment Distribution Method Study PDF? A PDF (Portable Document Format) is a file format developed by Adobe that preserves the layout and formatting of a document, regardless of the software, hardware, or operating system used to view or print it. **How do I create a Moment Distribution Method Study PDF?** There are several ways to create a PDF: Use software like Adobe Acrobat, Microsoft Word, or Google Docs, which often have built-in PDF creation tools. Print to PDF: Many applications and operating systems have a "Print to PDF" option that allows you to save a document as a PDF file instead of printing it on paper. Online converters: There are various online tools that can convert different file types to PDF. **How do I edit a Moment Distribution Method Study PDF?** Editing a PDF can be done with software like Adobe Acrobat, which allows direct editing of text, images, and other elements within the PDF. Some free tools, like PDFescape or Smallpdf, also offer basic editing capabilities. **How do I convert a Moment Distribution Method Study PDF to another file format?** There are multiple ways to convert a PDF to another format: Use online converters like Smallpdf, Zamzar, or Adobe Acrobats export feature to convert PDFs to formats like Word, Excel, JPEG, etc. Software like Adobe Acrobat, Microsoft Word, or other PDF editors may have options to export or save PDFs in different formats. **How do I password-protect a Moment Distribution Method Study PDF?** Most PDF editing software allows you to add password protection. In Adobe Acrobat, for instance, you can go to "File" -> "Properties" -> "Security" to set a password to restrict access or editing capabilities. Are there any free alternatives to Adobe Acrobat for working with PDFs? Yes, there are many free alternatives

for working with PDFs, such as: LibreOffice: Offers PDF editing features. PDFsam: Allows splitting, merging, and editing PDFs. Foxit Reader: Provides basic PDF viewing and editing capabilities. How do I compress a PDF file? You can use online tools like Smallpdf, ILovePDF, or desktop software like Adobe Acrobat to compress PDF files without significant quality loss. Compression reduces the file size, making it easier to share and download. Can I fill out forms in a PDF file? Yes, most PDF viewers/editors like Adobe Acrobat, Preview (on Mac), or various online tools allow you to fill out forms in PDF files by selecting text fields and entering information. Are there any restrictions when working with PDFs? Some PDFs might have restrictions set by their creator, such as password protection, editing restrictions, or print restrictions. Breaking these restrictions might require specific software or tools, which may or may not be legal depending on the circumstances and local laws.

Find Moment Distribution Method Study :

tutorial America 71-2685 Instagram growth tutorial America 71-512

entrepreneurs 71-1576 productivity hacks case study for entrepreneurs routines blueprint America 71-1215 fitness routines blueprint America for small business 71-1542 SEO strategy software for small business organization explained United States 71-2326 home organization explained Instagram growth tools for startups 71-1761 Instagram growth tools for checklist for startups 71-1760 YouTube growth comparison United States for creators 71-2945 personal finance for beginners for startups 71-779 coding for beginners review for small business 71-238 coding for entrepreneurs 71-863 weight loss apps for small business 71-795 weight for small business 71-458 TikTok marketing explained USA 71-87 TikTok tips for entrepreneurs 71-632 dropshipping business tools United States tools United States 71-1422 online privacy tools for creators 71-1361 71-1888 AI tools blueprint for small business 71-2375 AI tools case trading software for entrepreneurs 71-2822 crypto trading step by step

Moment Distribution Method Study :

grammaire en dialogues niveau avance książka cd audio - May 31 2022

web jul 8 2020 chaque chapitre est constitué de trois pages sur la première page un ou deux dialogues dans lesquels on retrouve des scènes de la vie de tous les jours sur

grammaire en dialogues niveau avancé b2 c1 livre cd - Aug 02 2022

web 2023 07 11 ce livre vous propose 50 fiches pour réviser le programme de français de nombreux conseils de formateurs pour déjouer les pièges et optimiser ses chances de

grammaire en dialogues niveau intermédiaire b1 livre cd - Nov 24 2021

web jun 18 2023 grammaire en dialogues niveau avanca c livre cd as one of the most dynamic sellers here will extremely be among the best options to review subject catalog

grammaire en dialogues niveau avanca c livre cd uniport edu - Jul 01 2022

web compre online grammaire en dialogues niveau avance książka cd audio livre avance cd audio b2 c1 de miquel claire na amazon frete grátis em milhares

grammaire en dialogues niveau avancé livre cd french - May 11 2023

web apr 30 2017 grammaire en dialogues niveau avancé livre cd french edition la grammaire en dialogues propose 35 chapitres portant sur un point de grammaire

grammaire en dialogues avancé livre cd audio eton diffusion - Apr 10 2023

web grammaire en dialogues avancé l ouvrage de grammaire en français langue étrangère fle niveau avancé dans la collection en dialogues la grammaire en dialogues

grammaire en dialogues niveau avanca c livre cd pdf - Sep 03 2022

web grammaire en dialogues niveau avancé b2 c1 livre cd publisher cle international isbn 9782090380613 rs 2 720 00 rs 2 730 00 qty ask about this

grammaire en dialogues livre avance cd audio - Jun 12 2023

web mar 31 2014 la grammaire en dialogues propose 35 chapitres portant sur un point de grammaire précis pronoms relatifs expression de la conséquence ou sur une

grammaire en dialogues niveau avancé b2 c1 issuu - Apr 29 2022

web les chapitres du livre grammaire en dialogues niveau intermédiaire avec cd audio chaque chapitre est constitué de trois pages sur la première page un ou deux

grammaire en dialogues avancè livre cd audio corrigés - Jan 07 2023

web la grammaire en dialogues s adresse à des adultes et adolescents de niveau avancé ou très avancé cet ouvrage permet aux apprenants d aborder des notions grammaticales

grammaire en dialogues niveau grand débutant livre cd - Feb 25 2022

web exercices mafiadoc com grammaire en dialogues niveau avanc livre audio cd stphane de groodt la grammaire trs peu pour moi exercice adverbess en ment pour
grammaire en dialogues niveau avanca c livre cd copy - Dec 26 2021

web ouvrage de grammaire en français langue étrangère fle dans la collection en dialogues destiné aux grands adolescents et adultes niveau intermédiaire b1 la
grammaire en dialogues niveau intermédiaire livre cd audio - Mar 29 2022

web ce niveau de grammaire en dialogues aborde les notions grammaticales rencontrées aux niveaux a1 1 à a1 du ceecr intégrées dans des dialogues empruntés à la vie
grammaire en dialogues niveau avanca c livre cd copy - Oct 04 2022

web l image qui sert de support au dialogue contient en outre de nombreux éléments exploitables de manière interactive en grammaire en vocabulaire et en communication
grammaire en dialogues niveau avanca c livre cd copy - Oct 24 2021

web aug 2 2023 this grammaire en dialogues niveau avanca c livre cd as one of the most lively sellers here will categorically be in the midst of the best options to review bulletin
grammaire en dialogues niveau avanca c livre cd pdf - Sep 22 2021

grammaire en dialogues niveau avancé livre cd by claire miquel - Jan 27 2022

web aug 7 2023 grammaire en dialogues niveau avanca c livre cd 2 7 downloaded from uniport edu ng on august 7 2023 by guest livres hebdo 2004 women of algiers in their
[grammaire en dialogues free download borrow and](#) - Feb 08 2023

web sep 6 2019 topics french learning french language collection opensource language french grammaire en dialogues addeddate 2019 09 06 09 04 35
grammaire en dialogues niveau débutant a1 a2 - Dec 06 2022

web aug 3 2023 kindly say the grammaire en dialogues niveau avanca c livre cd is universally compatible with any devices to read women of algiers in their apartment
[grammaire en dialogues niveau avancé b2 c1 livre cd](#) - Aug 14 2023

web ouvrage de grammaire en français langue étrangère fle dans la collection en dialogues destiné aux grands adolescents et adultes niveau avancé b2 c1 la
grammaire en dialogues niveau avancé b2 c1 livre cd - Jul 13 2023

web ouvrage de grammaire en français langue étrangère fle dans la collection en dialogues destiné aux grands adolescents et

adultes niveau avancé b2 c1 la

grammaire en dialogues niveau avanca c livre cd pdf - Nov 05 2022

web 4 grammaire en dialogues niveau avanca c livre cd 2021 04 07 education language lab app audio recordings of the answer key let you check your progress and your

grammaire en dialogues niveau avancé archive org - Mar 09 2023

web may 4 2018 grammaire en dialogues niveau avancé topics radio grammaire en dialogues niveau avancé audio pour le livre concernant addeddate 2018 05 04

arbeitsschutz beim schweißen vorschriften und hinweise - Jun 13 2023

web sep 12 2023 viele gefahren lassen sich bereits durch ausreichende schutzkleidung abwenden oder zumindest deutlich verringern um einen guten arbeitsschutz beim schweißen zu gewährleisten sollten deshalb immer folgende kleidungsstücke bzw utensilien genutzt werden schutzhandschuhe schweißerbrille oder schweißerhelm

schweißen 8 sicherheitstipps für alle schweißverfahren - Feb 09 2023

web deshalb ist ein feuerlöscher in einer heimwerkerwerkstatt auch ein absolutes muss 6 belüftung eine gute belüftung ist beim schweißen sehr wichtig vor allem beim schweißen mit gasen sorgen sie deshalb immer für durchzug eigentlich soll man ja nicht im durchzug stehen aber in diesem fall ist es sogar sehr wichtig

sicherheitshandbuch schweißarbeiten by dr ing fritz weikert - Feb 26 2022

web sicherheitshandbuch schweißarbeiten by dr ing fritz weikert schutzvorschriften und fachspezifischer unterweisungen immer wieder zu bränden und unfällen oft mit erheblichen gesundheitlichen und

arbeitssicherheitsunterweisung in metallbearbeitenden betrieben - Dec 07 2022

web arbeitsschutzexperte das müssen metallbetriebe für die arbeitssicherheitsunterweisung wissen um arbeitsschutz effektiv sicherzustellen bedarf es einer verständlichen arbeitssicherheitsunterweisung im interview schildert experte marco ollech worauf betriebe konkret achten sollten und gibt tipps wie man sie praxisnah gestaltet

sicherheitshandbuch schweissarbeiten design bluesquare - Jun 01 2022

web 4 sicherheitshandbuch schweissarbeiten 2020 10 04 innovative und integrative risiko management pyramide v liefern ein durchgängiges praxisorientiertes und systematisches vorgehensmodell für den aufbau und die weiterentwicklung des sicherheits kontinuieritäts und risikomanagements mit diesem handbuch identifizieren sie risiken bauen

sicherheitshandbuch schweißarbeiten by dr ing fritz weikert - Mar 10 2023

web jun 9 2023 sicherheitshandbuch schweißarbeiten by dr ing fritz weikert by online we compensate for sicherheitshandbuch schweißarbeiten by dr ing fritz weikert and plentiful books gatherings from fictions to scientific studyh secure4 khronos org 1 8

sicherheitshandbuch schweißarbeiten by dr ing fritz weikert - Aug 15 2023

web the course of them is this sicherheitshandbuch schweißarbeiten by dr ing fritz weikert that can be your companion sicherheitshandbuch schweißarbeiten by dr ing fritz weikert is available in our publication assemblage an online access to it is set as public so you can get it instantly sicherheitsplanung arbeitsbuch signs of safety

sicherheitshandbuch schweißarbeiten by dr ing fritz weikert - Mar 30 2022

web sicherheitshandbuch schweißarbeiten by dr ing fritz weikert beim schweißen und brennschneiden kommt es trotz mannigfacher schutzvorschriften und fachspezifischer unterweisungen immer wieder zu bränden und unfällen

sicherheitshandbuch schweissarbeiten pdf db udrive - Oct 05 2022

web sicherheitshandbuch schweissarbeiten that you are looking for it will no question squander the time however below behind you visit this web page it will be fittingly entirely simple to get as competently as download lead sicherheitshandbuch schweissarbeiten it will not resign yourself to many become old as we run by before you can reach it

sicherheitshandbuchschweissarbeiten dev sfcg - Dec 27 2021

web sicherheitshandbuch schweißarbeiten readhowyouwant com effiziente existenz und zukunftssicherung sowie zielgerichtete risikosteuerung sind entscheidende managementaufgaben in einem unternehmen die dreidimensionale sicherheitsmanagemen

sicherheitshandbuch schweissarbeiten otto kaiser book - Jul 02 2022

web info get the sicherheitshandbuch schweissarbeiten join that we present here and check out the link you could purchase guide sicherheitshandbuch schweissarbeiten or get it as soon as feasible you could quickly download this sicherheitshandbuch schweissarbeiten after getting deal

sicherheitshandbuch schweißarbeiten by dr ing fritz weikert - Apr 11 2023

web may 28 2023 sicherheitshandbuch schweißarbeiten by dr ing fritz weikert moreover it is not right away done you could believe even more nearly this life nearly the world when folks should go to the electronic bookstores research launch by boutique section by section it is in point of in fact tricky still below when you visit this

sicherheitshandbuch schweissarbeiten download only - Nov 06 2022

web 4 sicherheitshandbuch schweissarbeiten 2023 08 09 organisation ab der autor führt sie von den gesetzlichen und geschäftspolitischen sicherheitskontinuitäts und risikoanforderungen bis zu richtlinien konzepten und maßnahmen beispiele und checklisten unterstützen sie und der online service des autors bietet ihnen zusätzliche

sicherheitshandbuch schweißarbeiten by dr ing fritz weikert - Jan 28 2022

web may 29 2023 acknowledging the amplification ways to acquire this ebook sicherheitshandbuch schweißarbeiten by dr ing fritz weikert is furthermore beneficial beim schweißen und brennschneiden kommt es trotz mannigfacher

schutzvorschriften und fachspezifischer unterweisungen immer wieder zu bränden

sicherheitshandbuch schweißarbeiten semantic scholar - Jul 14 2023

web sicherheitshandbuch schweißarbeiten inproceedings weikert2011sicherheitshandbuchs title sicherheitshandbuch schweißarbeiten author fritz weikert year 2011 f weikert published 14

sicherheitshandbuchschweissarbeiten 2022 2 telcomanager - Apr 30 2022

web sicherheitshandbuch schweissarbeiten sicherheitshandbuch schweißarbeiten enlightenment through orbs the worst version of myself dharma der regress des sachversicherers a book of endings on rules and principles solvency ii in the insurance industry particle physics reference library sarah vaughn lost found identity matters

beispiel für eine betriebsanweisung zum schweißen sgu - Jan 08 2023

web beispiel für eine betriebsanweisung zum schweißen beispiel für eine betriebsanweisung zum schweißen

schweißtechnische arbeiten in bereichen mit brandgefahr nach abschnitt 3 8 4 2 wegfliegende oder abtropfende heiße metall oder schlacketeilchen sekundärflammen bei autogenarbeiten an rohrlösungen 3

arbeitssicherheit beim schweißen schutzmaßnahmen - May 12 2023

web may 23 2023 zu den persönlichen schutzmaßnahmen beim schweißen zählt zunächst die ausgabe von schutzausrüstung und schutzkleidung diese sollen vor allem dem schutz der augen dienen die augen müssen einerseits vor den schweißfunken andererseits vor strahlung geschützt werden auch vor schädlichem uv licht

sicherheitshandbuch schweissarbeiten pdf uniport edu - Sep 04 2022

web aug 2 2023 sicherheitshandbuch schweissarbeiten 1 6 downloaded from uniport edu ng on august 2 2023 by guest sicherheitshandbuch schweissarbeiten getting the books sicherheitshandbuch schweissarbeiten now is not type of inspiring means you could not single handedly going once ebook stock or library or borrowing

sicherheitshandbuch schweißarbeiten by dr ing fritz weikert - Aug 03 2022

web jun 13 2023 sicherheitshandbuch schweißarbeiten by dr ing fritz weikert by exploring the title publisher or authors of instruction you in in reality want you can reveal them promptly

the body reset diet revised edition by harley pasternak - Jan 09 2023

web in the body reset diet celebrity trainer and new york times bestselling author harley pasternak offers you the ultimate plan for a thinner healthier happier life this three phase program focuses on the easiest most effective way to slim down blending

body reset diet pros cons and what you can eat verywell fit - Apr 12 2023

web oct 23 2021 the body reset diet was developed in 2013 by harley pasternak an expert in nutritional sciences and exercise physiology and the author of the 5 factor diet the basis of the diet is simple kick start your weight loss by eating

mainly smoothies and then settle into a healthier eating routine that still includes smoothies just fewer of them

the body reset diet power your metabolism blast fat and - Jun 14 2023

web mar 4 2014 in the body reset diet harley pasternak offers readers the ultimate plan for a thinner healthier happier life this three phase program focuses on the easiest most effective way to slim down blending

the body reset diet power your metabolism blast fat and - Mar 11 2023

web the body reset diet power your metabolism blast fat and shed pounds in just 15 days ebook written by harley pasternak read this book using google play books app on your pc android ios devices

[the body reset diet cookbook google books](#) - May 01 2022

web nov 1 2014 new york times bestselling author harley pasternak revolutionized dieting with the body reset diet and now offers more brand new recipes from his proven program to help you hit the

[the body reset diet revised edition power your metabolism](#) - Dec 08 2022

web jan 5 2021 the body reset diet revised edition power your metabolism blast fat and shed pounds in just 15 days pasternak harley 9780593232163 amazon com books books

the body reset diet power your metabolism blast fat and - Jan 29 2022

web pasternak is the top selling fitness and diet author in the world whose books include 5 factor fitness 5 factor diet the 5 factor world diet the body reset diet body reset diet cookbook and 5 pounds which hit shelves march 2015 harley s titles have attained global bestseller status and have been published in 14 languages in over 25

the body reset diet does it work for weight loss healthline - Nov 07 2022

web jun 23 2020 pasternak s book the body reset diet power your metabolism blast fat and shed pounds in just 15 days lays out the meal plan which emphasizes homemade smoothies high fiber snacks

the body reset diet power your metabolism blast fat and - Sep 05 2022

web apr 25 2013 the body reset diet power your metabolism blast fat and shed pounds in just 15 days kindle edition by pasternak harley download it once and read it on your kindle device pc phones or tablets

the body reset diet revised edition power your metabolism - Feb 10 2023

web the body reset diet revised edition power your metabolism blast fat and shed pounds in just 15 days pasternak harley amazon com tr kitap

the body reset diet power your metabolism blast fat and - Jul 03 2022

web apr 25 2013 harley pasternak m sc pasternak is the top selling fitness and diet author in the world whose books include 5 factor fitness 5 factor diet the 5 factor world diet the body reset diet body reset diet cookbook and 5

the body reset diet cookbook 150 recipes to power your - Mar 31 2022

web apr 15 2014 celebrity diet and fitness expert and new york times bestselling author harley pasternak revolutionized dieting with the body reset diet and now offers more brand new recipes from his proven program to help you hit the reset the button and slim down permanently

4 things i learned from trying harley pasternak s body reset diet shape - May 13 2023

web aug 28 2017 but when jamba juice and celebrity trainer harley pasternak challenged me to try the body reset diet sound familiar you may have seen it on khloé kardashian s revenge body i was intrigued a two week diet to reset my protein bar habit how bad could that be so i signed on

the body reset diet cookbook 150 recipes to power your - Dec 28 2021

web apr 15 2014 whether you re looking to lose significant weight or just those last five pounds the body reset diet cookbook will help you reset your body and lose weight immediately with 150 slimming recipes celebrity diet and fitness expert and new york times bestselling author harley pasternak revolutionized dieting with the body reset

the body reset diet revised edition pasternak m sc harley - Feb 27 2022

web secure transaction ships from and sold by amazon ca return policy returnable until jan 31 2023 add gift options see this image follow the author harley pasternak the body reset diet revised edition paperback jan 5 2021 by harley pasternak m sc author 638 ratings kindle edition 13 99 read with our free app paperback

the body reset diet power your metabolism blast fat and - Aug 04 2022

web mar 4 2014 in the body reset diet celebrity trainer and new york times bestselling author harley pasternak offers you the ultimate plan for a thinner healthier happier life this three phase program focuses on the easiest most effective way to slim down blending

the body reset diet power your metabolism blast fat and goodreads - Jun 02 2022

web the body reset diet is it seems that we ve lost our way when it comes to nutrition and exercise now expert harley pasternak offers a proven program to shed pounds without sacrificing health or convenience

what is the body reset diet by harley pasternak how it works - Aug 16 2023

web jul 4 2020 this diet program is not exactly new celebrity trainer harley pasternak developed the body reset diet back in 2013 but it s a diet plan that holds strong and garners the attention of

what is the body reset diet a detailed beginner s guide best - Jul 15 2023

web feb 16 2023 the body reset diet power your metabolism blast fat and shed pounds in just 15 days by harley pasternak outlines all the tenets of the diet and meal suggestions

shop harley s diet fitness and cook books harley pasternak - Oct 06 2022

web the body reset diet cookbook whether you re looking to lose significant weight or just those last five pounds the body

reset diet cookbook will help you reset your body and lose weight immediately with 150 slimming recipes