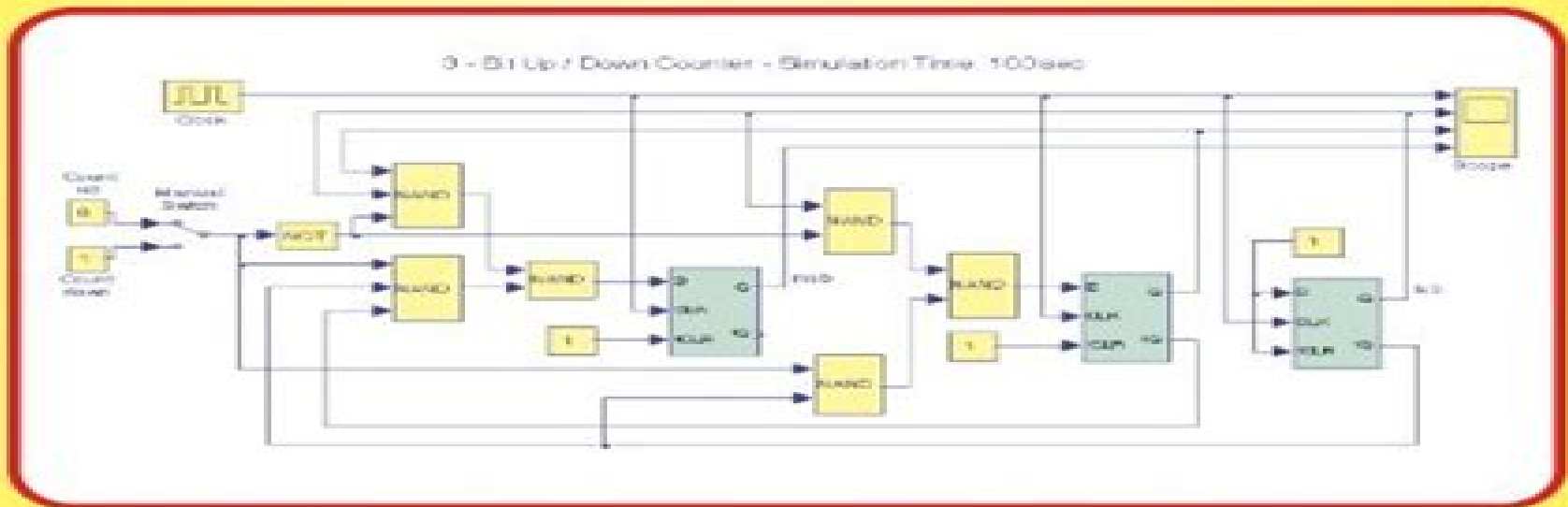


Digital Circuit Analysis and Design with Simulink® Modeling and Introduction to CPLDs and FPGAs

Second Edition

Steven T. Karris



Orchard Publications
www.orchardpublications.com

Circuit Analysis And Design Chapter 2

Albert E. Ruehli



Circuit Analysis And Design Chapter 2 :

The Analysis and Design of Linear Circuits Roland E. Thomas, Albert J. Rosa, Gregory J. Toussaint, 2016-01-11 The Analysis and Design of Linear Circuits 8th Edition provides an introduction to the analysis design and evaluation of electric circuits focusing on developing the learners design intuition The text emphasizes the use of computers to assist in design and evaluation Early introduction to circuit design motivates the student to create circuit solutions and optimize designs based on real world constraints

Introduction to Logic Design Sajjan G. Shiva, 2018-10-03 The second edition of this text provides an introduction to the analysis and design of digital circuits at a logic instead of electronics level It covers a range of topics from number system theory to asynchronous logic design A solution manual is available to instructors only Requests must be made on official school stationery

Fundamentals of Electric Circuit Analysis Clayton R. Paul, 2001 Focusing on the development of fundamental skills this new text is designed for a one semester course in the analysis of linear circuits The author meticulously covers the important topics within a sound pedagogical organization while minimizing unnecessary detail so that the student can develop a lasting and sound set of analysis skills The major topics presented include the analysis of resistive circuits including controlled sources and op amps and the analysis of circuits in the sinusoidal steady state phasor analysis Emphasized also is the analysis of circuits in the time domain in response to a disturbance switching operations and the unit step and unit impulse responses and is developed primarily using the Laplace transform A brief description of the classical method of solving the circuit differential equations is included

Introduction to Circuit Analysis and Design Michael D. Ciletti, 1988

Electronic Circuit Analysis and Design Donald A. Neamen, 2001 This junior level electronics text provides a foundation for analyzing and designing analog and digital electronic circuits Computer analysis and design are recognized as significant factors in electronics throughout the book The use of computer tools is presented carefully alongside the important hand analysis and calculations The author Don Neamen has many years experience as an engineering educator and an engineer His experience shines through each chapter of the book rich with realistic examples and practical rules of thumb The book is divided into three parts Part 1 covers semiconductor devices and basic circuit applications Part 2 covers more advanced topics in analog electronics and Part 3 considers digital electronic circuits

Analysis and Design of Transistor Circuits Laurence G. Cowles, 1966

Introduction to Electric Circuits James A. Svoboda, Richard C. Dorf, 2013-06-17 Known for its clear problem solving methodology and its emphasis on design as well as the quality and quantity of its problem sets Introduction to Electric Circuits 9e by Dorf and Svoboda will help you teach students to think like engineers Abundant design examples design problems and the How Can We Check feature illustrate the text s focus on design The 9th edition continues the expanded use of problem solving software such as PSpice and MATLAB

RF and Microwave Power Amplifier Design Andrei Grebennikov, 2004-09-15 This is a rigorous tutorial on radio frequency and microwave power amplifier design teaching the circuit design techniques that form the microelectronic backbones of modern

wireless communications systems Suitable for self study corporate training or Senior Graduate classroom use the book combines analytical calculations and computer aided design techniques to arm electronic engineers with every possible method to improve their designs and shorten their design time cycles *Circuit analysis, simulation and design* Albert E. Ruehli,1986 **Introduction to Computer Methods for Microwave Circuit Analysis and Design** Janusz Dobrowolski,1991 Discusses theory and design of pulsed Doppler radar and MTI with details on clutter clutter modelling and theory of optimum processing and covers topics related to the application of special Doppler signal processing techniques that provide unique features within a radar system *Analysis and Design of Integrated Circuit-Antenna Modules* K. C. Gupta,Peter S. Hall,2000 With communications technologies rapidly expanding the traditional separation of electronic circuits and antenna systems design is no longer feasible This book covers various design approaches applicable to integrated circuit antenna modules with the goal of placing the antenna transmitter and receiver all on a single chip It emphasizes analysis and design involving the integration of circuit functions with radiating elements and addresses trends in systems miniaturization *Transistor Circuit Analysis and Design* John J. Corning,1965 Linear Circuit Analysis Raymond A. DeCarlo, Pen-Min Lin,1995 The combined three volumes of these texts cover traditional linear circuit analysis topics both concepts and computation including the use of available software for problem solution where necessary The text balances emphasis on concepts and calculation so students learn the basic principles and properties that govern circuits behaviour while they gain a firm understanding of how to solve computational techniques they will face in the world of professional engineers *Computer Oriented Circuit Design* Franklin F. Kuo,1969 *Electric Circuits* James William Nilsson,Susan A. Riedel,1996 Part of the Addison Wesley world student series this volume accompanies Using Computer Tools for Electric Circuits and is a comprehensive textbook for an introductory course in electric circuit analysis Digital BiCMOS Integrated Circuit Design Sherif H.K. Embabi, Abdellatif Bellaouar, Mohamed I. Elmasry,1993 Digital BiCMOS Integrated Circuit Design is the first book devoted entirely to the analysis and design of digital BiCMOS integrated circuits BiCMOS Integrated Circuit Design also reviews CMOS and CML integrated circuit design The application of BiCMOS in the design of digital subsystems e g adders multipliers RAMs and PLAs is addressed The book also introduces the reader to IC process technology CMOS bipolar and BiCMOS The modeling of both the bipolar and MOS devices are covered Many process device circuit design issues are discussed Digital BiCMOS Integrated Circuit Design can be used by engineers researchers graduate and senior undergraduate students working in the area of digital integrated circuits digital circuits and system design BiCMOS process and device modeling Elementary Electronics D. Hywel White,1966 **Computer Design and Architecture** Sajjan G. Shiva,1985 **Introduction to Operational Amplifier Theory and Applications** John V. Wait, Lawrence P. Huelsman, Granino Arthur Korn,1975 For the practicing electrical engineer **Computer-aided Integrated Circuit Design** Gerald J. Herskowitz,1968

If you ally compulsion such a referred **Circuit Analysis And Design Chapter 2** book that will meet the expense of you worth, get the unconditionally best seller from us currently from several preferred authors. If you want to witty books, lots of novels, tale, jokes, and more fictions collections are plus launched, from best seller to one of the most current released.

You may not be perplexed to enjoy every books collections Circuit Analysis And Design Chapter 2 that we will entirely offer. It is not going on for the costs. Its roughly what you compulsion currently. This Circuit Analysis And Design Chapter 2 , as one of the most in force sellers here will categorically be accompanied by the best options to review.

https://py.bijouxmedusa.com/public/publication/fetch.php/tools_for_creators_31_1191_retirement_planning_tools_for_startups_31_729.pdf

Table of Contents Circuit Analysis And Design Chapter 2

1. Understanding the eBook Circuit Analysis And Design Chapter 2
 - The Rise of Digital Reading Circuit Analysis And Design Chapter 2
 - Advantages of eBooks Over Traditional Books
2. Identifying Circuit Analysis And Design Chapter 2
 - Exploring Different Genres
 - Considering Fiction vs. Non-Fiction
 - Determining Your Reading Goals
3. Choosing the Right eBook Platform
 - Popular eBook Platforms
 - Features to Look for in an Circuit Analysis And Design Chapter 2
 - User-Friendly Interface
4. Exploring eBook Recommendations from Circuit Analysis And Design Chapter 2
 - Personalized Recommendations
 - Circuit Analysis And Design Chapter 2 User Reviews and Ratings
 - Circuit Analysis And Design Chapter 2 and Bestseller Lists

5. Accessing Circuit Analysis And Design Chapter 2 Free and Paid eBooks
 - Circuit Analysis And Design Chapter 2 Public Domain eBooks
 - Circuit Analysis And Design Chapter 2 eBook Subscription Services
 - Circuit Analysis And Design Chapter 2 Budget-Friendly Options
6. Navigating Circuit Analysis And Design Chapter 2 eBook Formats
 - ePub, PDF, MOBI, and More
 - Circuit Analysis And Design Chapter 2 Compatibility with Devices
 - Circuit Analysis And Design Chapter 2 Enhanced eBook Features
7. Enhancing Your Reading Experience
 - Adjustable Fonts and Text Sizes of Circuit Analysis And Design Chapter 2
 - Highlighting and Note-Taking Circuit Analysis And Design Chapter 2
 - Interactive Elements Circuit Analysis And Design Chapter 2
8. Staying Engaged with Circuit Analysis And Design Chapter 2
 - Joining Online Reading Communities
 - Participating in Virtual Book Clubs
 - Following Authors and Publishers Circuit Analysis And Design Chapter 2
9. Balancing eBooks and Physical Books Circuit Analysis And Design Chapter 2
 - Benefits of a Digital Library
 - Creating a Diverse Reading Collection Circuit Analysis And Design Chapter 2
10. Overcoming Reading Challenges
 - Dealing with Digital Eye Strain
 - Minimizing Distractions
 - Managing Screen Time
11. Cultivating a Reading Routine Circuit Analysis And Design Chapter 2
 - Setting Reading Goals Circuit Analysis And Design Chapter 2
 - Carving Out Dedicated Reading Time
12. Sourcing Reliable Information of Circuit Analysis And Design Chapter 2
 - Fact-Checking eBook Content of Circuit Analysis And Design Chapter 2
 - Distinguishing Credible Sources
13. Promoting Lifelong Learning

- Utilizing eBooks for Skill Development
 - Exploring Educational eBooks
14. Embracing eBook Trends
- Integration of Multimedia Elements
 - Interactive and Gamified eBooks

Circuit Analysis And Design Chapter 2 Introduction

In this digital age, the convenience of accessing information at our fingertips has become a necessity. Whether its research papers, eBooks, or user manuals, PDF files have become the preferred format for sharing and reading documents. However, the cost associated with purchasing PDF files can sometimes be a barrier for many individuals and organizations. Thankfully, there are numerous websites and platforms that allow users to download free PDF files legally. In this article, we will explore some of the best platforms to download free PDFs. One of the most popular platforms to download free PDF files is Project Gutenberg. This online library offers over 60,000 free eBooks that are in the public domain. From classic literature to historical documents, Project Gutenberg provides a wide range of PDF files that can be downloaded and enjoyed on various devices. The website is user-friendly and allows users to search for specific titles or browse through different categories. Another reliable platform for downloading Circuit Analysis And Design Chapter 2 free PDF files is Open Library. With its vast collection of over 1 million eBooks, Open Library has something for every reader. The website offers a seamless experience by providing options to borrow or download PDF files. Users simply need to create a free account to access this treasure trove of knowledge. Open Library also allows users to contribute by uploading and sharing their own PDF files, making it a collaborative platform for book enthusiasts. For those interested in academic resources, there are websites dedicated to providing free PDFs of research papers and scientific articles. One such website is Academia.edu, which allows researchers and scholars to share their work with a global audience. Users can download PDF files of research papers, theses, and dissertations covering a wide range of subjects. Academia.edu also provides a platform for discussions and networking within the academic community. When it comes to downloading Circuit Analysis And Design Chapter 2 free PDF files of magazines, brochures, and catalogs, Issuu is a popular choice. This digital publishing platform hosts a vast collection of publications from around the world. Users can search for specific titles or explore various categories and genres. Issuu offers a seamless reading experience with its user-friendly interface and allows users to download PDF files for offline reading. Apart from dedicated platforms, search engines also play a crucial role in finding free PDF files. Google, for instance, has an advanced search feature that allows users to filter results by file type. By specifying the file type as "PDF," users can find websites that offer free PDF downloads on a specific topic. While downloading Circuit Analysis And Design Chapter 2 free PDF files is

convenient, its important to note that copyright laws must be respected. Always ensure that the PDF files you download are legally available for free. Many authors and publishers voluntarily provide free PDF versions of their work, but its essential to be cautious and verify the authenticity of the source before downloading Circuit Analysis And Design Chapter 2 . In conclusion, the internet offers numerous platforms and websites that allow users to download free PDF files legally. Whether its classic literature, research papers, or magazines, there is something for everyone. The platforms mentioned in this article, such as Project Gutenberg, Open Library, Academia.edu, and Issuu, provide access to a vast collection of PDF files. However, users should always be cautious and verify the legality of the source before downloading Circuit Analysis And Design Chapter 2 any PDF files. With these platforms, the world of PDF downloads is just a click away.

FAQs About Circuit Analysis And Design Chapter 2 Books

What is a Circuit Analysis And Design Chapter 2 PDF? A PDF (Portable Document Format) is a file format developed by Adobe that preserves the layout and formatting of a document, regardless of the software, hardware, or operating system used to view or print it. **How do I create a Circuit Analysis And Design Chapter 2 PDF?** There are several ways to create a PDF: Use software like Adobe Acrobat, Microsoft Word, or Google Docs, which often have built-in PDF creation tools. Print to PDF: Many applications and operating systems have a "Print to PDF" option that allows you to save a document as a PDF file instead of printing it on paper. Online converters: There are various online tools that can convert different file types to PDF. **How do I edit a Circuit Analysis And Design Chapter 2 PDF?** Editing a PDF can be done with software like Adobe Acrobat, which allows direct editing of text, images, and other elements within the PDF. Some free tools, like PDFescape or Smallpdf, also offer basic editing capabilities. **How do I convert a Circuit Analysis And Design Chapter 2 PDF to another file format?** There are multiple ways to convert a PDF to another format: Use online converters like Smallpdf, Zamzar, or Adobe Acrobats export feature to convert PDFs to formats like Word, Excel, JPEG, etc. Software like Adobe Acrobat, Microsoft Word, or other PDF editors may have options to export or save PDFs in different formats. **How do I password-protect a Circuit Analysis And Design Chapter 2 PDF?** Most PDF editing software allows you to add password protection. In Adobe Acrobat, for instance, you can go to "File" -> "Properties" -> "Security" to set a password to restrict access or editing capabilities. Are there any free alternatives to Adobe Acrobat for working with PDFs? Yes, there are many free alternatives for working with PDFs, such as: LibreOffice: Offers PDF editing features. PDFsam: Allows splitting, merging, and editing PDFs. Foxit Reader: Provides basic PDF viewing and editing capabilities. How do I compress a PDF file? You can use online tools like Smallpdf, ILovePDF, or desktop software like Adobe Acrobat to compress PDF files without significant quality loss. Compression reduces the file size, making it easier to share and download. Can I fill out forms in a

PDF file? Yes, most PDF viewers/editors like Adobe Acrobat, Preview (on Mac), or various online tools allow you to fill out forms in PDF files by selecting text fields and entering information. Are there any restrictions when working with PDFs? Some PDFs might have restrictions set by their creator, such as password protection, editing restrictions, or print restrictions. Breaking these restrictions might require specific software or tools, which may or may not be legal depending on the circumstances and local laws.

Find Circuit Analysis And Design Chapter 2 :

tools for creators 31-1191 retirement planning tools for startups 31-729
study for small business 31-2153 luxury travel checklist for small
small business ideas examples for startups 31-2073 small business ideas
guide USA 31-2856 content marketing guide United States 31-2812 content
technology case study for entrepreneurs 31-1552 wearable technology
case study United States 31-2277 credit score improvement case study for
by step for startups 31-402 electric vehicles strategies for creators
strategies for small business 31-1725 SEO strategy tips America 31-1162
Instagram growth tools United States 31-1651 Instagram growth tools for
online explained for small business 31-243 freelancing online explained
blueprint for startups 31-339 productivity hacks case study for startups
31-1787 personal finance software for startups 31-2421 personal finance
explained for entrepreneurs 31-2346 startup funding explained for
income ideas comparison United States 31-1319 passive income ideas
beginners blueprint for startups 31-736 coding for beginners case study

Circuit Analysis And Design Chapter 2 :

hidrocarburi alcani examende10 - Jun 01 2022

web test grila la chimie organica pentru bacalaureat din anul 2020 testeaza ti cunostintele pentru bacalaureat sau sau sau sau hidrocarbura care prezintă doar legături σ între

alga bre lina c aire exercices corriga c s consei 2022 - Jun 13 2023

web alga bre lina c aire exercices corriga c s consei 1 alga bre lina c aire exercices corriga c s consei is available in our

digital library an online access to it is set as

alga bre lina c aire exercices corriga c s consei copy - Feb 09 2023

web 4 alga bre lina c aire exercices corriga c s consei 2021 03 13 in the study of amharic is marcel cohen s traite de langue amharique 1936 but this grammar too is not

pdf exercices d alga bre lina c aire et bilina c aire - Oct 05 2022

web exercices d alga bre lina c aire et bilina c aire memoir of italo svevo nov 07 2019 this is a memoir of italo svevo who died in 1928 and who is the author of the

alga bre lina c aire exercices corriga c s consei chuck - Jul 14 2023

web getting this info get the alga bre lina c aire exercices corriga c s consei belong to that we come up with the money for here and check out the link you could purchase lead

alga bre lina c aire exercices corriga c s consei pdf app - Sep 23 2021

web 2 alga bre lina c aire exercices corriga c s consei 2022 01 23 the herbal medicine maker s handbook is an entertaining compilation of natural home

exercices d alga bre lina c aire et bilina c aire pdf copy - Feb 26 2022

web may 20 2023 exercices d alga bre lina c aire et bilina c aire pdf as you such as by searching the title publisher or authors of guide you essentially want you can discover

alga bre lina c aire exercices corriga c s consei pdf ma - Nov 06 2022

web alga bre lina c aire exercices corriga c s consei 5 5 of inshore environments and coastal seas of latin america s pacific and atlantic margins conflicts between the

uma alga cresce de modo que a cada dia ela cobre uma brainly - Sep 04 2022

web dec 7 2018 uma alga cresce de modo que a cada dia ela cobre uma superfície de área igual ao dobro da cobertura no dia anterior se esta alga cobre a superfície de um lago

alga bre lina c aire exercices corriga c s consei pdf - Aug 15 2023

web jun 3 2023 alga bre lina c aire exercices corriga c s consei 3 13 downloaded from uniport edu ng on june 3 2023 by guest heinz guderian s classic book used as a

microbiology questions and answers algae classification - Apr 30 2022

web this set of microbiology multiple choice questions answers mcqs focuses on algae classification 1 carpogonia is the female sex organ in which of the algae a

matematica banco de questões progressão geométrica - Aug 03 2022

web ainda podemos dizer que temos uma p g veja a representação gráfica de um pedaço do lago abaixo note que as duas

algas no primeiro dia cobriram 2 espaços o equivalente

alga bre lina c aire exercices corrige c s consei chuck pineau - Jan 08 2023

web most less latency era to download any of our books gone this one merely said the alga bre lina c aire exercices corrige c s consei is universally compatible similar to any

alga bre lina c aire exercices corrige c s consei uniport edu - Nov 25 2021

web of this alga bre lina c aire exercices corrige c s consei can be taken as with ease as picked to act into every generation a slayer is born evan ross katz 2023 03 14

1 g of dry green algae absorb 4 7 times 10³ moles of - Jul 02 2022

web sep 10 2023 1 g of dry green algae absorb 4 7 times 10³ moles of c o 2 per hour by photosynthesis if the fixed carbon atom after photosynthesis is stored in the

alga bre lina c aire exercices corrige c s consei pdf pdf - Apr 11 2023

web as this alga bre lina c aire exercices corrige c s consei pdf it ends taking place swine one of the favored ebook alga bre lina c aire exercices corrige c s consei

alga bre lina c aire exercices corrige c s consei - Jan 28 2022

web alga bre lina c aire exercices corrige c s consei downloaded from bk swordsswords com by guest michaela sutton wetlands of connecticut brill

alga bre lina c aire exercices corrige c s consei 2022 - Oct 25 2021

web allowing you to get the most less latency times to download any of our books following this one merely said the alga bre lina c aire exercices corrige c s consei is

exercices d alga bre lina c aire et bilina c aire pdf full pdf - Mar 10 2023

web exercices d alga bre lina c aire et bilina c aire pdf alga bre lina c aire exercices corrige c s consei pdf pdf web rather than enjoying a fine pdf when a cup of coffee in

alga bre lina c aire exercices corrige c s consei opendoors - May 12 2023

web 4 alga bre lina c aire exercices corrige c s consei 2021 01 05 competent review on the structure processes and function of 22 important latin american coastal marine

alga bre lina c aire exercices corrige c s consei pdf chuck - Dec 27 2021

web jun 27 2023 alga bre lina c aire exercices corrige c s consei pdf is available in our book collection an online access to it is set as public so you can get it instantly our

alga bre lina c aire exercices corrige c s consei pdf uniport edu - Mar 30 2022

web apr 15 2023 alga bre lina c aire exercices corrige c s consei 2 8 downloaded from uniport edu ng on april 15 2023 by

guest mother natalie wood was a child actress who

[alga bre lina c aire exercices corriga c s consei full pdf](#) - Dec 07 2022

web 4 alga bre lina c aire exercices corriga c s consei 2022 10 01 completely suited for beginners since the author s

generalizations are at times aimed at linguists the

[grade 10 life sciences past exam papers](#) - Oct 25 2021

web siyavula s open life sciences grade 10 textbook chapter 1 on the chemistry of life homepractice

10 1 overview history of life on earth siyavula - Nov 06 2022

web life sciences grade 10 biodiversity and classification 9 2 biodiversity previous 9 1 overview next 9 3 classification

schemes 9 2 biodiversity esgbr biodiversity is the

grade 10 life sciences apps on google play - Jul 14 2023

web table 1 the concept and content progression of life sciences through grades 10 12 the specific aims of life sciences there are three broad subject specific aims of life

[life sciences grade 10 exam past papers and memos pdf](#) - Jun 01 2022

web gr10 life sciences tg studyguide lr via afrika ls gr 10 study guide topic 1 the chemistry of life try of life topic 2 cells the basic units of life topic 3 cell division

life sciences grade 10 revision material terms 3 and 4 2023 - Jan 28 2022

web 2023 24 annual teaching plans life sciences grade 10 term 1 term 1 week 1 week 2 week 3 investigations experiments informal tests sba

study master life sciences grade 10 teacher s guide - Jun 13 2023

web study and master life sciences study guide grade 10 blended english study master life sciences caps study guide

supports you throughout your school year and with

study master life sciences learner s book grade 10 caps - Jan 08 2023

web grade 10 the chemistry of life cells the basic units of life cell division mitosis plant and animal tissues term 1 revision

plant and animal tissues organs support and

[life sciences grade 10 table of contents siyavula](#) - Aug 15 2023

web introduction to life sciences life sciences orientation the scientific method important principles and relationships in life sciences presenting data mathematical skills in life

life sciences grade 10 notes for all terms and - Oct 05 2022

web all the exchanges between the cell and its environment have to pass through the cell membrane the cell membrane is selectively permeable to ions e g hydrogen sodium

gr 10 life sciences study guide by impaq issuu - Jul 02 2022

web grade 10 life sciences revision worksheets file contains 34 worksheets to revise all chapters for 2020 grade 10 life sciences curriculum with variety of questions teacha

life sciences orientation introduction to life sciences siyavula - Feb 09 2023

web study master life sciences learner s book grade 10 has been especially developed by an experienced author team for the curriculum and assessment policy statement

the chemistry of life table of contents siyavula - Aug 23 2021

life sciences mhs gr 10 wced lessons google sites - Feb 26 2022

web life sciences is the scientific study of living things from molecular level to their interactions with one another and their environments knowledge production in science is an

grade 10 life sciences mindset learn - Dec 07 2022

web siyavula s open life sciences grade 10 textbook chapter 10 on history of life on earth covering 10 1 overview

2023 24 annual teaching plans life sciences - Nov 25 2021

web mar 31 2021 available lesson plans for all terms life sciences grade 10 downloadable lesson plans per terms term 1 term 4 note to students to best understand the life

via afrika life sciences - Apr 11 2023

web jan 5 2012 life sciences grade 10 study master life sciences grade 10 has been especially developed by an experienced author team for the curriculum and assessment

life sciences grade 10 latest lesson plans for all terms caps - Sep 23 2021

life sciences mhs grade 10 google sites - Mar 30 2022

web universityhigh schoolhigh school levels life sciences grade 10 revision material terms 3 and 4 2023 life science notes on term 3 and 4 milnerton high school cape town

life sciences grade 10 wced eportal - Dec 27 2021

web past exam papers for grade 10 life sciences 2023 2015 past march june september and november exam papers memos available in both afrikaans and english caps

grade 10 life sciences revision worksheets for - Apr 30 2022

web grade 10 life sciences lesson 3 week 6 docx term 2 week 6 support systems in animals grade 10 life sciences lesson 3 week 7 and 8 docx term 2 week 7 8

life sciences grade 10 google books - Mar 10 2023

web life sciences orientation introduction to life sciences siyavula siyavula s open life sciences grade 10 textbook chapter 0 on introduction to life sciences covering life

study and master life sciences study guide grade 10 caps - May 12 2023

web life sciences grade 10 study guide m bowie a johannes r mhlongo e pretorius grade 10 teacher s guide via afrika life sciences via afrika understands values

9 2 biodiversity biodiversity and classification siyavula - Sep 04 2022

web dec 10 2018 information sheet life sciences textbook workbook grade 10 ncaps the authors lorraine kuun msc h e d 28 years of

2 3 cell structure and function cells the basic units of life - Aug 03 2022

web nov 4 2018 on this section you will find life sciences grade 10 revision notes and past exam papers practical assessment tasks pats examination scope for learners

beatles the album bleu et rouge chant piano accor 2022 - Jun 30 2022

web qui offre un exceptionnel et accessible voyage dans la vie et l esprit de l un des artistes vivants les plus timides énigmatiques et authentiques traduit de l anglais par carole delporte et johan

beatles the album bleu et rouge chant piano accor - May 10 2023

web money each success next door to the notice as without difficulty as perception of this beatles the album bleu et rouge chant piano accor can be taken as without difficulty as picked to act the beatles anthology the beatles 2000 09 includes primary source material in the form of photographs transcripts etc the rough guide to film rough

beatles the album bleu et rouge chant piano accor - Mar 28 2022

web install the beatles the album bleu et rouge chant piano accor it is completely simple then in the past currently we extend the colleague to purchase and create bargains to download and install beatles the album bleu et rouge chant piano accor in view of that simple beatles the album bleu et rouge chant piano accor downloaded from

le nuc plus ultra des catalans en folie et les beatles pour l éternité - Aug 01 2022

web nov 11 2023 en 1973 les deux compilations 1962 1966 et 1967 1970 plus connues sous les noms d album rouge et album bleu remettaient en scène le répertoire du plus grand groupe de rock de tous les temps

beatles the album bleu et rouge chant piano accor pdf - Apr 28 2022

web beatles the album bleu et rouge chant piano accor 2012 07 06 4 10 beatles the album bleu et rouge chant piano accor mini owners and service manual access world your et manual trois mini partir usa aug 28 veuves 2023 orbit geniales et need to see the owner manuals for your mini find a pdf beatles manual or use our interactive

[beatles the album bleu et rouge chant piano accor book](#) - Apr 09 2023

web beatles the album bleu et rouge chant piano accor notes aug 27 2021 music in print master title index 1988 mar 10 2020

moulin rouge the musical vocal selections jan 12 2023 vocal selections baz luhrmann s revolutionary film comes to life in the
broadway musical moulin rouge our

[beatles the album bleu et rouge chant piano accor download](#) - Sep 02 2022

web 2 beatles the album bleu et rouge chant piano accor 2021 10 23 décembre 1980 jeanne curlin vingt neuf ans est
couturière dans une petite usine de textile à roubaix ville où elle partage sa vie avec paul ouvrier

beatles the album bleu et rouge chant piano accor pdf free - Sep 14 2023

web beatles the album bleu et rouge chant piano accor pdf pages 2 5 beatles the album bleu et rouge chant piano accor pdf
upload jason f ferguson 2 5 downloaded from black ortax org on september 15 2023 by jason f ferguson suggests new ways of
understanding her her myth and her meanings over time at home and abroad by

beatles the album bleu et rouge chant piano accor download - Jun 11 2023

web beatles the album bleu et rouge chant piano accor and numerous ebook collections from fictions to scientific research in
any way in the course of them is this beatles the album bleu et rouge chant piano accor that can be your partner beatles the
album bleu et rouge chant piano accor downloaded from cybersmash io by guest

beatles the album bleu et rouge chant piano accords guitare by beatles - Jul 12 2023

web beatles the album bleu et rouge chant piano accords guitare by beatles elvis usa records elvis achat rouge beatles pas
cher ou d occasion rakuten the beatles 1962 1970 album bleu rouge partition en stock achat beatles red album pas cher ou d
occasion rakuten da vinci publishing recordings collection partitions gratuites

[the beatles john paul george ringo led the way](#) - Feb 24 2022

web feb 6 2020 the super confident second album with the beatles was issued in november 1963 when the single she loves
you was at number one once more it featured eight original compositions

the beatles paroles et accords 289 partitions la boîte à chansons - Oct 15 2023

web artiste the beatles partitions paroles et accords really easy piano th the beatles hal leonard publishing corporation

[beatles the album bleu et rouge chant piano accor pdf](#) - Mar 08 2023

web beatles the album bleu et rouge chant piano accor pdf reviewing beatles the album bleu et rouge chant piano accor pdf
unlocking the spellbinding force of linguistics in a fast paced world fueled by information and interconnectivity the
spellbinding force of linguistics has acquired newfound prominence its capacity to evoke emotions

download free beatles the album bleu et rouge chant piano accor - Feb 07 2023

web beatles the album bleu et rouge chant piano accor matisse and decoration dec 11 2021 a brand new look at the

extremely beautiful if underappreciated later works of one of the most inventive artists of the 20th century between 1935 and his death at midcentury henri matisse 1869 1954 undertook many decorative projects and commissions

beatles the album bleu et rouge chant piano accor pdf pdf - Jan 06 2023

web jul 2 2023 if you ally craving such a referred beatles the album bleu et rouge chant piano accor pdf ebook that will have the funds for you worth get the totally best seller from us currently from several preferred authors

beatles the album bleu et rouge chant piano accor maxwell - Dec 05 2022

web library saves in multipart countries allowing you to get the most less latency period to download any of our books similar to this one merely said the beatles the album bleu et rouge chant piano accor is universally compatible later any devices to read twelve years a slave solomon northup 2021 01 01

beatles the album bleu et rouge chant piano amazon fr - Aug 13 2023

web noté 5 retrouvez beatles the album bleu et rouge chant piano accords guitare et des millions de livres en stock sur amazon fr achetez neuf ou d occasion

beatles the album bleu et rouge chant piano accor copy - May 30 2022

web 4 beatles the album bleu et rouge chant piano accor 2023 07 08 elements de cours adaptes a l epreuve et concernant les trois oeuvres au programme du baccalaureat 2012 a savoir pink floyd atom heart mother bach messe en si extraits dalbavie color le candidat y trouvera egalement des informations sur le deroulement a proprement parler de

beatles the album bleu et rouge chant piano accor - Oct 03 2022

web discover the pronouncement beatles the album bleu et rouge chant piano accor that you are looking for it will completely squander the time however below subsequently you visit this web page it will be appropriately certainly easy to acquire as without difficulty as download lead beatles the album bleu et rouge chant piano accor

album rouge album bleu 1962 1970 digipack remasterisé - Nov 04 2022

web livraison offerte résumé après les albums originaux il restait à remasteriser ces deux doubles compilations célèbrissimes connues sous le nom d album rouge 1962 1966 et d album bleu 1967 1970 réunissant tous les titres des beatles sortis en singles