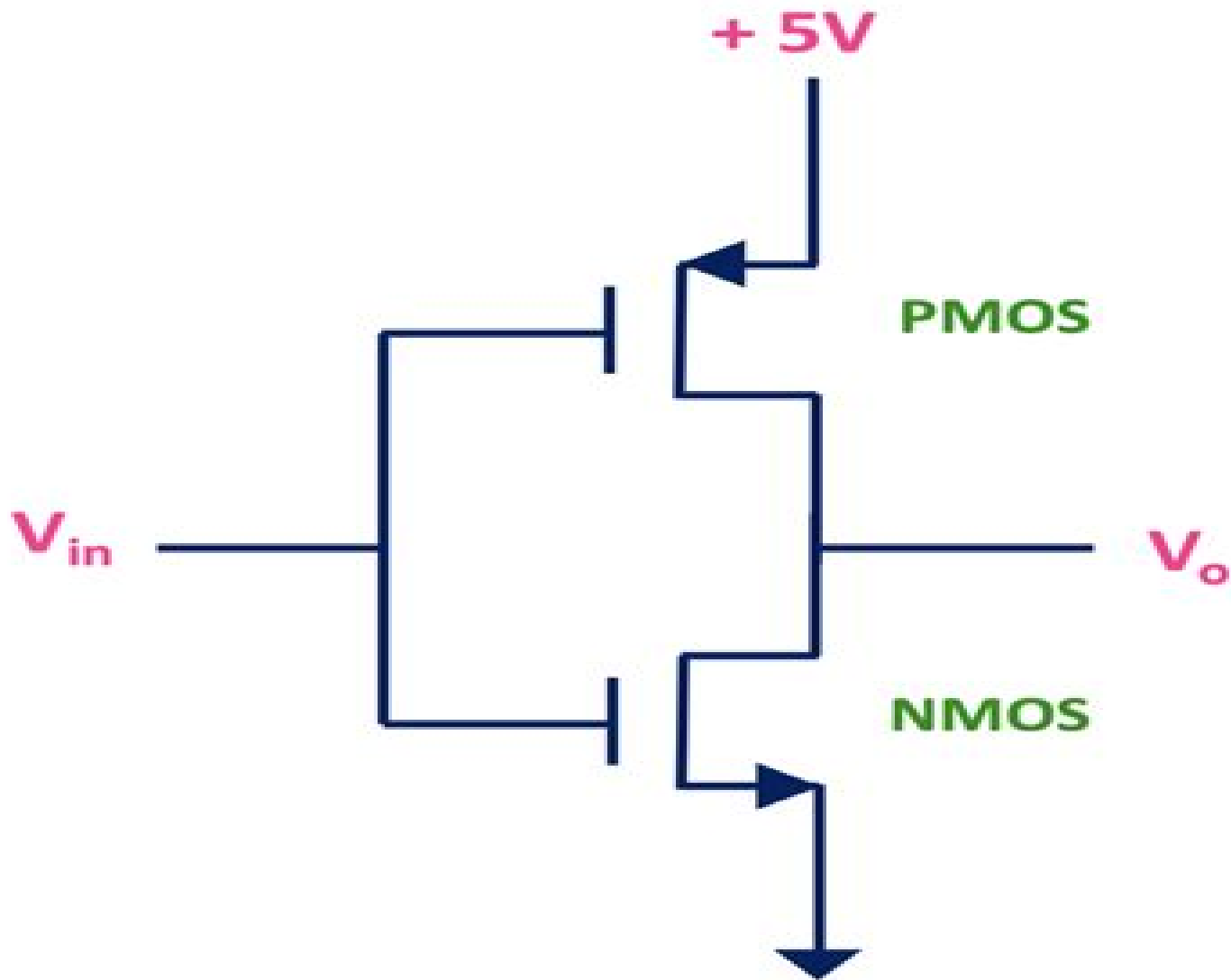


CMOS Inverter



Cmos Technology Logic Data Text

S Baum



Cmos Technology Logic Data Text:

Delve into the emotional tapestry woven by Crafted by in Dive into the Emotion of **Cmos Technology Logic Data Text** . This ebook, available for download in a PDF format (PDF Size: *), is more than just words on a page; itis a journey of connection and profound emotion. Immerse yourself in narratives that tug at your heartstrings. Download now to experience the pulse of each page and let your emotions run wild.

https://py.bijouxmedusa.com/data/detail/Download_PDFS/states_49_2548_real_estate_investing_roadmap_for_creators_49_318_real.pdf

Table of Contents Cmos Technology Logic Data Text

1. Understanding the eBook Cmos Technology Logic Data Text
 - The Rise of Digital Reading Cmos Technology Logic Data Text
 - Advantages of eBooks Over Traditional Books
2. Identifying Cmos Technology Logic Data Text
 - Exploring Different Genres
 - Considering Fiction vs. Non-Fiction
 - Determining Your Reading Goals
3. Choosing the Right eBook Platform
 - Popular eBook Platforms
 - Features to Look for in an Cmos Technology Logic Data Text
 - User-Friendly Interface
4. Exploring eBook Recommendations from Cmos Technology Logic Data Text
 - Personalized Recommendations
 - Cmos Technology Logic Data Text User Reviews and Ratings
 - Cmos Technology Logic Data Text and Bestseller Lists
5. Accessing Cmos Technology Logic Data Text Free and Paid eBooks
 - Cmos Technology Logic Data Text Public Domain eBooks
 - Cmos Technology Logic Data Text eBook Subscription Services

- Cmos Technology Logic Data Text Budget-Friendly Options
- 6. Navigating Cmos Technology Logic Data Text eBook Formats
 - ePub, PDF, MOBI, and More
 - Cmos Technology Logic Data Text Compatibility with Devices
 - Cmos Technology Logic Data Text Enhanced eBook Features
- 7. Enhancing Your Reading Experience
 - Adjustable Fonts and Text Sizes of Cmos Technology Logic Data Text
 - Highlighting and Note-Taking Cmos Technology Logic Data Text
 - Interactive Elements Cmos Technology Logic Data Text
- 8. Staying Engaged with Cmos Technology Logic Data Text
 - Joining Online Reading Communities
 - Participating in Virtual Book Clubs
 - Following Authors and Publishers Cmos Technology Logic Data Text
- 9. Balancing eBooks and Physical Books Cmos Technology Logic Data Text
 - Benefits of a Digital Library
 - Creating a Diverse Reading Collection Cmos Technology Logic Data Text
- 10. Overcoming Reading Challenges
 - Dealing with Digital Eye Strain
 - Minimizing Distractions
 - Managing Screen Time
- 11. Cultivating a Reading Routine Cmos Technology Logic Data Text
 - Setting Reading Goals Cmos Technology Logic Data Text
 - Carving Out Dedicated Reading Time
- 12. Sourcing Reliable Information of Cmos Technology Logic Data Text
 - Fact-Checking eBook Content of Cmos Technology Logic Data Text
 - Distinguishing Credible Sources
- 13. Promoting Lifelong Learning
 - Utilizing eBooks for Skill Development
 - Exploring Educational eBooks
- 14. Embracing eBook Trends

- Integration of Multimedia Elements
- Interactive and Gamified eBooks

Cmos Technology Logic Data Text Introduction

Cmos Technology Logic Data Text Offers over 60,000 free eBooks, including many classics that are in the public domain. Open Library: Provides access to over 1 million free eBooks, including classic literature and contemporary works. Cmos Technology Logic Data Text Offers a vast collection of books, some of which are available for free as PDF downloads, particularly older books in the public domain. Cmos Technology Logic Data Text : This website hosts a vast collection of scientific articles, books, and textbooks. While it operates in a legal gray area due to copyright issues, its a popular resource for finding various publications. Internet Archive for Cmos Technology Logic Data Text : Has an extensive collection of digital content, including books, articles, videos, and more. It has a massive library of free downloadable books. Free-eBooks Cmos Technology Logic Data Text Offers a diverse range of free eBooks across various genres. Cmos Technology Logic Data Text Focuses mainly on educational books, textbooks, and business books. It offers free PDF downloads for educational purposes. Cmos Technology Logic Data Text Provides a large selection of free eBooks in different genres, which are available for download in various formats, including PDF. Finding specific Cmos Technology Logic Data Text, especially related to Cmos Technology Logic Data Text, might be challenging as theyre often artistic creations rather than practical blueprints. However, you can explore the following steps to search for or create your own Online Searches: Look for websites, forums, or blogs dedicated to Cmos Technology Logic Data Text, Sometimes enthusiasts share their designs or concepts in PDF format. Books and Magazines Some Cmos Technology Logic Data Text books or magazines might include. Look for these in online stores or libraries. Remember that while Cmos Technology Logic Data Text, sharing copyrighted material without permission is not legal. Always ensure youre either creating your own or obtaining them from legitimate sources that allow sharing and downloading. Library Check if your local library offers eBook lending services. Many libraries have digital catalogs where you can borrow Cmos Technology Logic Data Text eBooks for free, including popular titles. Online Retailers: Websites like Amazon, Google Books, or Apple Books often sell eBooks. Sometimes, authors or publishers offer promotions or free periods for certain books. Authors Website Occasionally, authors provide excerpts or short stories for free on their websites. While this might not be the Cmos Technology Logic Data Text full book , it can give you a taste of the authors writing style. Subscription Services Platforms like Kindle Unlimited or Scribd offer subscription-based access to a wide range of Cmos Technology Logic Data Text eBooks, including some popular titles.

FAQs About Cmos Technology Logic Data Text Books

How do I know which eBook platform is the best for me? Finding the best eBook platform depends on your reading preferences and device compatibility. Research different platforms, read user reviews, and explore their features before making a choice. Are free eBooks of good quality? Yes, many reputable platforms offer high-quality free eBooks, including classics and public domain works. However, make sure to verify the source to ensure the eBook credibility. Can I read eBooks without an eReader? Absolutely! Most eBook platforms offer webbased readers or mobile apps that allow you to read eBooks on your computer, tablet, or smartphone. How do I avoid digital eye strain while reading eBooks? To prevent digital eye strain, take regular breaks, adjust the font size and background color, and ensure proper lighting while reading eBooks. What the advantage of interactive eBooks? Interactive eBooks incorporate multimedia elements, quizzes, and activities, enhancing the reader engagement and providing a more immersive learning experience. Cmos Technology Logic Data Text is one of the best book in our library for free trial. We provide copy of Cmos Technology Logic Data Text in digital format, so the resources that you find are reliable. There are also many Ebooks of related with Cmos Technology Logic Data Text. Where to download Cmos Technology Logic Data Text online for free? Are you looking for Cmos Technology Logic Data Text PDF? This is definitely going to save you time and cash in something you should think about. If you trying to find then search around for online. Without a doubt there are numerous these available and many of them have the freedom. However without doubt you receive whatever you purchase. An alternate way to get ideas is always to check another Cmos Technology Logic Data Text. This method for see exactly what may be included and adopt these ideas to your book. This site will almost certainly help you save time and effort, money and stress. If you are looking for free books then you really should consider finding to assist you try this. Several of Cmos Technology Logic Data Text are for sale to free while some are payable. If you arent sure if the books you would like to download works with for usage along with your computer, it is possible to download free trials. The free guides make it easy for someone to free access online library for download books to your device. You can get free download on free trial for lots of books categories. Our library is the biggest of these that have literally hundreds of thousands of different products categories represented. You will also see that there are specific sites catered to different product types or categories, brands or niches related with Cmos Technology Logic Data Text. So depending on what exactly you are searching, you will be able to choose e books to suit your own need. Need to access completely for Campbell Biology Seventh Edition book? Access Ebook without any digging. And by having access to our ebook online or by storing it on your computer, you have convenient answers with Cmos Technology Logic Data Text To get started finding Cmos Technology Logic Data Text, you are right to find our website which has a comprehensive collection of books online. Our library is the biggest of these that have literally hundreds of thousands of different products represented. You will also see that there are specific sites catered to different categories or niches related with Cmos Technology Logic Data Text So depending on what

exactly you are searching, you will be able to choose ebook to suit your own need. Thank you for reading Cmos Technology Logic Data Text. Maybe you have knowledge that, people have search numerous times for their favorite readings like this Cmos Technology Logic Data Text, but end up in harmful downloads. Rather than reading a good book with a cup of coffee in the afternoon, instead they juggled with some harmful bugs inside their laptop. Cmos Technology Logic Data Text is available in our book collection an online access to it is set as public so you can download it instantly. Our digital library spans in multiple locations, allowing you to get the most less latency time to download any of our books like this one. Merely said, Cmos Technology Logic Data Text is universally compatible with any devices to read.

Find Cmos Technology Logic Data Text :

[States 49-2548 real estate investing roadmap for creators 49-318 real](#)
49-692 side hustles blueprint for small business 49-1287 side hustles
[trends for small business 49-990 mobile app ideas tutorial America](#)
[tips America 49-46 online privacy tips America 49-764 online privacy](#)
[49-615 smart home tech software America 49-964 smart home tech software](#)
[small business 49-1873 SEO strategy tips USA 49-2093 SEO strategy tips](#)
[49-2316 blockchain development strategies America 49-2009 blockchain](#)
[startups 49-852 affiliate marketing guide for creators 49-2771 affiliate](#)
[small business 49-1478 cloud computing roadmap for small business](#)
startups 49-2779 productivity hacks case study America 49-1470
[49-2510 data science careers checklist America 49-265 data science](#)
[entrepreneurs 49-2071 stock market checklist for small business 49-12](#)
[wellness guide United States 49-1528 mental wellness guide for creators](#)
[United States 49-798 productivity hacks ideas for creators 49-1808](#)
Instagram growth tools for startups 49-948 Instagram growth tutorial

Cmos Technology Logic Data Text :

Stuvia 1986236 test bank for introduction to maternity and ... Stuvia 1986236 test bank for introduction to maternity and pediatric nursing 9th edition by gloria leifer chapter 1 34 newest version 2022 ... \$103 per month? Test Bank For Introduction to Maternity and Pediatric ... Test Bank For Introduction to Maternity and Pediatric Nursing 9th Edition BY

Gloria Leifer · 1. A patient chooses to have the certified nurse-midwife (CNM) ... Introduction to Maternity and Pediatric Nursing 9th Edition ... Jun 25, 2023 — Test Bank - Introduction to Maternity and Pediatric Nursing 9th Edition By Gloria Leifer | Chapter 1 - 34, Complete Guide 2023| Test Bank - Test Bank for Introduction to Maternity & Pediatric Nursing Test Bank for Introduction to Maternity & Pediatric Nursing, Gloria Leifer, 9th Edition. ... Perry, Hockenberry, Lowdermilk & Cashion, 7th Edition. \$50.00 \$30.00. Introduction to Maternity and Pediatric Nursing 9th Edition ... Introduction to Maternity and Pediatric Nursing 9th Edition Leifer Test Bank. \$ 30,00 \$ 15,00. All Chapters, Complete Q & A, Latest| Test Bank For ... Mar 25, 2023 — Test Bank For Introduction to Maternity and Pediatric Nursing 9th Edition By Gloria Leifer |All Chapters, Complete Q & A, Latest| Contemporary Maternal-Newborn Nursing 9th Edition Test ... Contemporary Maternal-Newborn Nursing, 9e (Ladewig et al.) Chapter 9 Antepartum Nursing Assessment. 1) The pregnant client has completed the prenatal ... Test Bank For Introduction to Maternity and Pediatric ... Sep 25, 2022 — Test Bank Introduction to Maternity and Pediatric Nursing 9th Edition BY Gloria Leifer Chapter 1-34 Newest Version 2022. chapter 1-test bank 21st century maternity and womens ... 1. To assess a mothers risk of having a low-birth-weight (LBW) infant, what is the most important factor for the nurse to consider? test bank chapter 1 - Lowdermilk: Maternity Nursing 8th... View Test Prep - test bank chapter 1 from NURS 125 at Raritan Valley Community College. Lowdermilk: Maternity Nursing, 8th Edition Chapter 01: 21st Century ... NISSAN FORKLIFT Manuals Original factory dealership manuals for NISSAN FORKLIFT by DIY Repair Manuals. Best selection and lowest prices on operator manual, service repair manuals, ... Forklift Manuals & Books for Nissan for sale Get the best deals on Forklift Manuals & Books for Nissan when you shop the largest online selection at eBay.com. Free shipping on many items | Browse your ... NISSAN Forklift Service manuals and Spare parts Catalogs NISSAN GX-40 Diesel forklift. Service Manual. 5050030, GX-45, NISSAN GX-45 Diesel forklift. Service Manual. 5050031, GX-50, NISSAN GX-50 Diesel forklift. Nissan Forklift Parts: Online Catalog Lookup for ... Nissan Forklift Parts Diagram. Below is the sample Nissan part diagram; you can contact us for the pdf of the parts manual or parts diagrams as per your need. Nissan Forklift Service Repair Manuals - Free Download pdf ... Nissan Forklift Diesel 2-3,5 ton Service Guide · Nissan Forklift 1F1, 1F2 Series Operator's Manuals PDF · Nissan Forklift LX-series Operstor's Manual · Nissan ... SERVICE MANUAL The manual is the introduction of structure, working principle and serving of 1t-3.5t R series internal combustion counterbalance forklift truck. For safety and ... Forklift Nissan E349428 7784 hours Nissan Optimum Oct 26, 2021 — Item Details. Forklift Nissan E349428 7784 hours Nissan Optimum 50 Model C2 3fw 475 7511 Location: Atascosa, TX ; PAYMENT INSTRUCTIONS. Payment ... Nissan Forklift Electric P02 Series Service Repair Manual Jun 9, 2020 — This service manual has been prepared to provide necessary information concerning the maintenance and repair procedures for the NISSAN FORKLIFT ... Nissan Optimum 50 Forklift Manual Get Help Looking in a Nissan Forklift Parts Manual. Are you tired of shopping around for your Nissan lift truck? Parts are easy to order on TruPar.com. Reading Questions For The Things They Carried Chaffey The Things

They Carried: Study Help | Quiz | Study Guide ... The Things They ... Reading Questions For The Things They Carried Chaffey. 5. 5 anything by ... The Things They Carried: Questions & Answers Who is Kathleen? How do the soldiers cope with death during wartime? How does Curt Lemon die? What happens to Mary Anne Bell? What does Norman Bowker need after ... The Things They Carried Questions and Answers | Q & A The Question and Answer sections of our study guides are a great resource to ask questions, find answers, and discuss literature. The Things They Carried Discussion Questions Explain the narrator's definition of "a true war story," as explained in "How to Tell a True War Story." What does he mean when he says that true war stories ... The Things They Carried Study Guide Questions and ... Feb 7, 2011 — In the list of all the things the soldiers carried, what item was most surprising? Which item did you find most evocative of the war? Which ... Types of Financial Aid Students may be eligible for many different types of aid that help pay for college and other costs. There are many types of financial aid programs offered at ... Chaffey College Please answer the study guide questions for the chapter that you missed and turn in the questions to the instructor on the day you return from your absence. The Things They Carried Questions The Things They Carried Questions Pt. 1. Choose 9 questions to answer, pulling at least 1 question from each section in the part. The RACE Framework: A practical digital marketing ... We created the RACE Framework to help digital marketers plan and manage their activities using data and analytics to grow their businesses. Senior-English-packet-The-Things-They-Carried.pdf Focus on what you see that you expect to see, but then note what items are surprising or unexpected. • Begin filling out your The Things They Carried Character ...