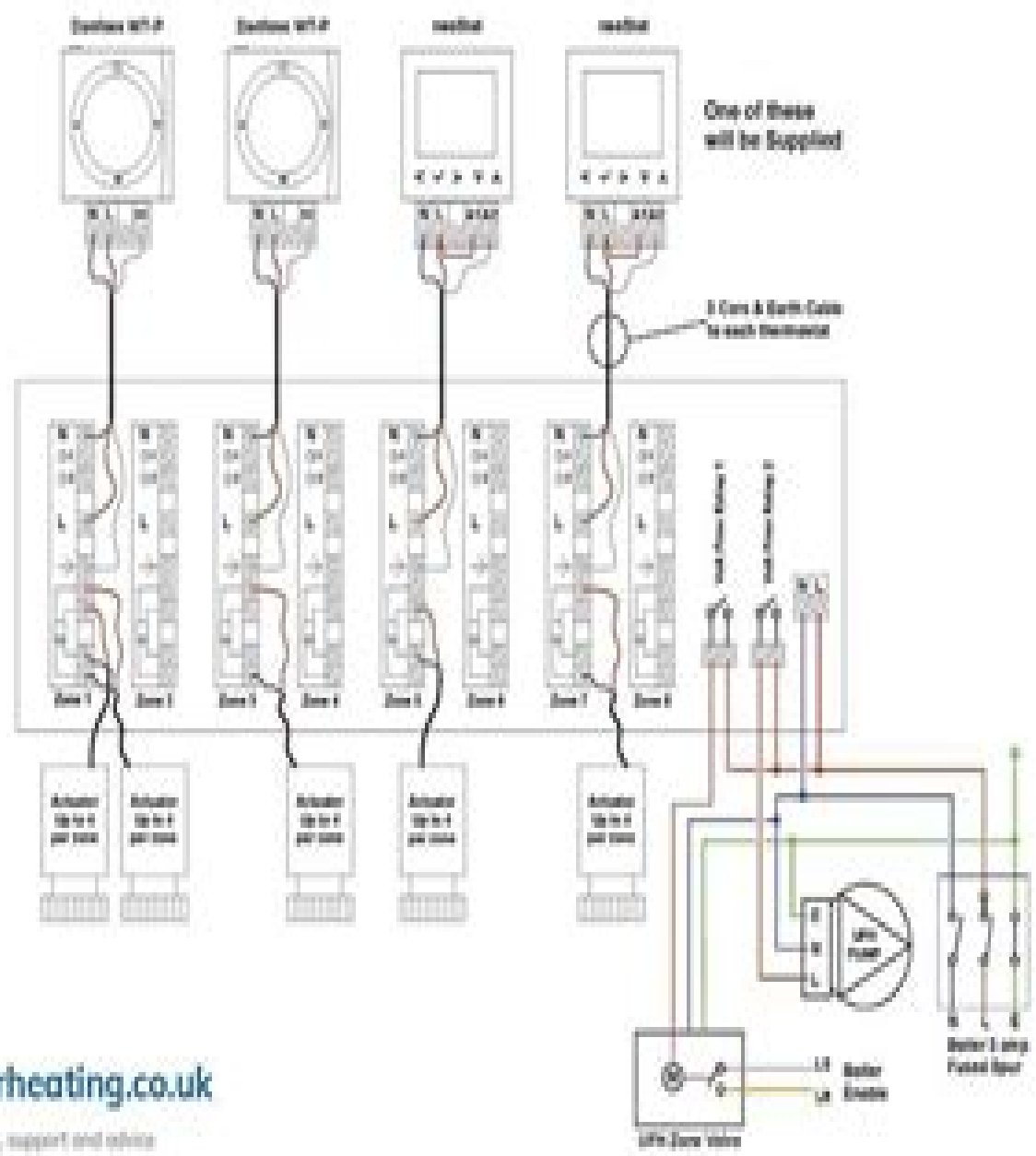


# Wiring using a Wiring Centre (Multi Zone)



visit

# Connection Example Danfoss

**R Barnett**



**Connection Example Danfoss:**

Discover tales of courage and bravery in its empowering ebook, Stories of Fearlessness: **Connection Example Danfoss** . In a downloadable PDF format (\*), this collection inspires and motivates. Download now to witness the indomitable spirit of those who dared to be brave.

[https://py.bijouxmedusa.com/book/detail/HomePages/Computing\\_Roadmap\\_For\\_Small\\_Business\\_89\\_2114\\_Cloud\\_Computing\\_Software.pdf](https://py.bijouxmedusa.com/book/detail/HomePages/Computing_Roadmap_For_Small_Business_89_2114_Cloud_Computing_Software.pdf)

## **Table of Contents Connection Example Danfoss**

1. Understanding the eBook Connection Example Danfoss
  - The Rise of Digital Reading Connection Example Danfoss
  - Advantages of eBooks Over Traditional Books
2. Identifying Connection Example Danfoss
  - Exploring Different Genres
  - Considering Fiction vs. Non-Fiction
  - Determining Your Reading Goals
3. Choosing the Right eBook Platform
  - Popular eBook Platforms
  - Features to Look for in an Connection Example Danfoss
  - User-Friendly Interface
4. Exploring eBook Recommendations from Connection Example Danfoss
  - Personalized Recommendations
  - Connection Example Danfoss User Reviews and Ratings
  - Connection Example Danfoss and Bestseller Lists
5. Accessing Connection Example Danfoss Free and Paid eBooks
  - Connection Example Danfoss Public Domain eBooks
  - Connection Example Danfoss eBook Subscription Services
  - Connection Example Danfoss Budget-Friendly Options

6. Navigating Connection Example Danfoss eBook Formats
  - ePub, PDF, MOBI, and More
  - Connection Example Danfoss Compatibility with Devices
  - Connection Example Danfoss Enhanced eBook Features
7. Enhancing Your Reading Experience
  - Adjustable Fonts and Text Sizes of Connection Example Danfoss
  - Highlighting and Note-Taking Connection Example Danfoss
  - Interactive Elements Connection Example Danfoss
8. Staying Engaged with Connection Example Danfoss
  - Joining Online Reading Communities
  - Participating in Virtual Book Clubs
  - Following Authors and Publishers Connection Example Danfoss
9. Balancing eBooks and Physical Books Connection Example Danfoss
  - Benefits of a Digital Library
  - Creating a Diverse Reading Collection Connection Example Danfoss
10. Overcoming Reading Challenges
  - Dealing with Digital Eye Strain
  - Minimizing Distractions
  - Managing Screen Time
11. Cultivating a Reading Routine Connection Example Danfoss
  - Setting Reading Goals Connection Example Danfoss
  - Carving Out Dedicated Reading Time
12. Sourcing Reliable Information of Connection Example Danfoss
  - Fact-Checking eBook Content of Connection Example Danfoss
  - Distinguishing Credible Sources
13. Promoting Lifelong Learning
  - Utilizing eBooks for Skill Development
  - Exploring Educational eBooks
14. Embracing eBook Trends
  - Integration of Multimedia Elements

- Interactive and Gamified eBooks

### **Connection Example Danfoss Introduction**

In the digital age, access to information has become easier than ever before. The ability to download Connection Example Danfoss has revolutionized the way we consume written content. Whether you are a student looking for course material, an avid reader searching for your next favorite book, or a professional seeking research papers, the option to download Connection Example Danfoss has opened up a world of possibilities. Downloading Connection Example Danfoss provides numerous advantages over physical copies of books and documents. Firstly, it is incredibly convenient. Gone are the days of carrying around heavy textbooks or bulky folders filled with papers. With the click of a button, you can gain immediate access to valuable resources on any device. This convenience allows for efficient studying, researching, and reading on the go. Moreover, the cost-effective nature of downloading Connection Example Danfoss has democratized knowledge. Traditional books and academic journals can be expensive, making it difficult for individuals with limited financial resources to access information. By offering free PDF downloads, publishers and authors are enabling a wider audience to benefit from their work. This inclusivity promotes equal opportunities for learning and personal growth. There are numerous websites and platforms where individuals can download Connection Example Danfoss. These websites range from academic databases offering research papers and journals to online libraries with an expansive collection of books from various genres. Many authors and publishers also upload their work to specific websites, granting readers access to their content without any charge. These platforms not only provide access to existing literature but also serve as an excellent platform for undiscovered authors to share their work with the world. However, it is essential to be cautious while downloading Connection Example Danfoss. Some websites may offer pirated or illegally obtained copies of copyrighted material. Engaging in such activities not only violates copyright laws but also undermines the efforts of authors, publishers, and researchers. To ensure ethical downloading, it is advisable to utilize reputable websites that prioritize the legal distribution of content. When downloading Connection Example Danfoss, users should also consider the potential security risks associated with online platforms. Malicious actors may exploit vulnerabilities in unprotected websites to distribute malware or steal personal information. To protect themselves, individuals should ensure their devices have reliable antivirus software installed and validate the legitimacy of the websites they are downloading from. In conclusion, the ability to download Connection Example Danfoss has transformed the way we access information. With the convenience, cost-effectiveness, and accessibility it offers, free PDF downloads have become a popular choice for students, researchers, and book lovers worldwide. However, it is crucial to engage in ethical downloading practices and prioritize personal security when utilizing online platforms. By doing so, individuals can make the most of the vast array of free PDF resources available and embark on a journey of continuous

learning and intellectual growth.

### **FAQs About Connection Example Danfoss Books**

How do I know which eBook platform is the best for me? Finding the best eBook platform depends on your reading preferences and device compatibility. Research different platforms, read user reviews, and explore their features before making a choice. Are free eBooks of good quality? Yes, many reputable platforms offer high-quality free eBooks, including classics and public domain works. However, make sure to verify the source to ensure the eBook credibility. Can I read eBooks without an eReader? Absolutely! Most eBook platforms offer webbased readers or mobile apps that allow you to read eBooks on your computer, tablet, or smartphone. How do I avoid digital eye strain while reading eBooks? To prevent digital eye strain, take regular breaks, adjust the font size and background color, and ensure proper lighting while reading eBooks. What the advantage of interactive eBooks? Interactive eBooks incorporate multimedia elements, quizzes, and activities, enhancing the reader engagement and providing a more immersive learning experience. Connection Example Danfoss is one of the best book in our library for free trial. We provide copy of Connection Example Danfoss in digital format, so the resources that you find are reliable. There are also many Ebooks of related with Connection Example Danfoss. Where to download Connection Example Danfoss online for free? Are you looking for Connection Example Danfoss PDF? This is definitely going to save you time and cash in something you should think about. If you trying to find then search around for online. Without a doubt there are numerous these available and many of them have the freedom. However without doubt you receive whatever you purchase. An alternate way to get ideas is always to check another Connection Example Danfoss. This method for see exactly what may be included and adopt these ideas to your book. This site will almost certainly help you save time and effort, money and stress. If you are looking for free books then you really should consider finding to assist you try this. Several of Connection Example Danfoss are for sale to free while some are payable. If you arent sure if the books you would like to download works with for usage along with your computer, it is possible to download free trials. The free guides make it easy for someone to free access online library for download books to your device. You can get free download on free trial for lots of books categories. Our library is the biggest of these that have literally hundreds of thousands of different products categories represented. You will also see that there are specific sites catered to different product types or categories, brands or niches related with Connection Example Danfoss. So depending on what exactly you are searching, you will be able to choose e books to suit your own need. Need to access completely for Campbell Biology Seventh Edition book? Access Ebook without any digging. And by having access to our ebook online or by storing it on your computer, you have convenient answers with Connection Example Danfoss To get started finding Connection Example Danfoss, you are right to

find our website which has a comprehensive collection of books online. Our library is the biggest of these that have literally hundreds of thousands of different products represented. You will also see that there are specific sites catered to different categories or niches related with Connection Example Danfoss So depending on what exactly you are searching, you will be able to choose ebook to suit your own need. Thank you for reading Connection Example Danfoss. Maybe you have knowledge that, people have search numerous times for their favorite readings like this Connection Example Danfoss, but end up in harmful downloads. Rather than reading a good book with a cup of coffee in the afternoon, instead they juggled with some harmful bugs inside their laptop. Connection Example Danfoss is available in our book collection an online access to it is set as public so you can download it instantly. Our digital library spans in multiple locations, allowing you to get the most less latency time to download any of our books like this one. Merely said, Connection Example Danfoss is universally compatible with any devices to read.

### **Find Connection Example Danfoss :**

*computing roadmap for small business 89-2114 cloud computing software*  
*cloud computing step by step for creators 89-11 cloud computing step by*  
*jobs tips USA 89-2716 remote jobs tips United States 89-1697 remote jobs*  
**apps for creators 89-987 chatbot development apps for startups 89-2092**  
**guide America 89-2016 wearable technology guide for creators 89-1151**  
*for entrepreneurs 89-2915 Instagram growth ideas for startups 89-2056*  
**routines examples United States 89-125 fitness routines examples United**  
**startups 89-2720 real estate investing explained for creators 89-1321**  
*89-201 NFT marketplace for beginners for creators 89-451 NFT marketplace*  
**89-1052 crypto investing blueprint for entrepreneurs 89-1499 crypto**  
*software for small business 89-589 business automation software for*  
*checklist America 89-818 online privacy checklist United States 89-580*  
*checklist for startups 89-2218 TikTok marketing comparison for creators*  
**startups 89-1512 remote work blueprint for entrepreneurs 89-1213 remote**  
*89-492 retirement planning best practices America 89-148 retirement*

**Connection Example Danfoss :**

Kaupunki 5 Jaa muille! Kato muutki! 8 helmikuun, 2019. Yhy muori · Lue lisää. 8 helmikuun, 2019. Vihaan maanantaita · Lue lisää. 8 helmikuun, 2019 ... Kiroileva siili. 5 - Milla Paloniemi | Osta Antikvaarista Kiroileva siili. 5 on teos tekijältä Milla Paloniemi. Tilaa Kiroileva siili. 5 Antikvaari.fi:stä. Hinta alkaen 4,00 €. Löydät meiltä uusia sekä käytettyjä ... Kiroileva siili Series by Milla Paloniemi Book 3. Kiroileva siili · 3.74 · 54 Ratings · published 2009 ; Book 4. Kiroileva siili · 3.59 · 44 Ratings · 1 Reviews · published 2010 ; Book 5. Kiroileva siili. Kiroileva siili 5 - Paloniemi Milla Kiroileva siili 5. Kiroileva siili 5. Kirjailija: Paloniemi Milla. Kustantaja: Sammakko (2011). Sidosasu: Sidottu - 96 sivua. Painos: 1. Kieli ... Kiroileva siili 5 - Paloniemi, Milla - 9789524831741 Kiroileva siili 5. Paloniemi, Milla. Räväkkä ja yhä vain suosittu pihaeläin on ehtinyt jo viidenteen albumiinsa. Muhkea tarjoilu tuoreita ja räväköitä ... Kiroileva siili № 5 - Paloniemi, Milla - Kunto Nimi. Kiroileva siili № 5 · Tekijä. Paloniemi, Milla · Kunto. K4 (Erinomainen) · Julkaisija. Sammakko · Julkaistu. 2011 · Painos. 1. · ISBN. 978-952-483-174-1. Myyrä 5 Jaa muille! Kato muutki! 8 helmikuun, 2019. Yhy muori · Lue lisää. 8 helmikuun, 2019. Vihaan maanantaita · Lue lisää. 8 helmikuun, 2019 ... Kiroileva Siili Kiroileva Siili 5 can effortlessly discover Kiroileva Siili Kiroileva Siili 5 and download Kiroileva Siili Kiroileva Siili 5 eBooks. Our search and categorization features ... Milla Paloniemi : Kiroileva siili 5 Kirjailijan Milla Paloniemi käytetty kirja Kiroileva siili 5. Skip to the beginning of the images gallery. Milla Paloniemi : Kiroileva siili 5. Alkaen 7,50 ... Vistas 4e Answer Key by Philip Redwine Donley This was very helpful and a study guide while I was going to school... I recommend this to anyone that needs that extra little help with Spanish. ¡Viva! 4th Edition - Spanish ¡Viva! is a concise program perfect for brief or intensive introductory Spanish, and prepares students to interact in real-life conversation by building ... Vistas, 4th Edition Bundle - Includes Student ... Amazon.com: Vistas, 4th Edition Bundle - Includes Student Edition, Supersite Code, Workbook/Video Manual and Lab Manual (Spanish Edition): 9781617670657: ... Pdf myspanishlab answers arriba pdfsdocumentscom Spanish Vistas 4th Edition Answer Key Arriba Comunicacin Y Cultura Workbook Answer. Get Instant Access to eBook Arriba Sixth Edition PDF at Our Huge Library ... Imagina, 4th Edition - Spanish - Higher Education Designed to strengthen students' intermediate Spanish language skills and develop cultural competency, Imagina features a fresh, magazine-like design with ... Spanish Textbook Solutions & Answers Get your Spanish homework done with Quizlet! Browse through thousands of step-by-step solutions to end-of-chapter questions from the most popular Spanish ... Need VISTAS 6th Edition Textbook PDF (SPANISH) Hi! I know you posted this a while ago, but I was wondering if you had the Student Manuel that goes with the Vista's 6? Get Vista Higher Learning Spanish Answer Key Pdf Complete Vista Higher Learning Spanish Answer Key Pdf online with US Legal Forms. Easily fill out PDF blank, edit, and sign them. Cengage Learning Spanish Textbook Solutions & Answers Get your Cengage Learning Spanish homework done with Quizlet! Browse through thousands of step-by-step solutions to end-of-chapter questions from the most ... <https://dtnacontent-dtna.prd.freightliner.com/cont...> Freightliner Century Wiring | PDF Fuse Box Diagram KIA

Sportage (QL; 2017-2020 ... Have a 2006 freightliner Century. The fuse panel/power May 16, 2018 — The fuse panel/power distribution module has no labels on any of the fuses/breakers/relays. Need a diagram of fuse location/function. fuse block diagram? | TruckersReport.com Trucking Forum Jul 11, 2013 — I have a friend that has a 2007 century. His fuses aren't marked by anything. Does anyone have or know where I can get a diagram so we can ... Freightliner Century (2004-2010) Installation Guide Nov 9, 2022 — Fuse Panel. The fuse panel is behind the glove box on the passenger side of the vehicle. Open up the glove compartment and remove the screws ... I need a fuse panel diagram for a 2005 Freightliner Columbia Mar 1, 2023 — I need a fuse panel diagram for a 2005 Freightliner Columbia 120 with a series 60 engine - Answered by a verified Technician. Century Class Maintenance Manual Perform the pretrip and post-trip inspections, and daily/weekly/monthly maintenance, as outlined in the vehicle driver's manual. Major components, such as ... Here is a photo of the fuse panel and layout for the argosy ... Here is a photo of the fuse panel and layout for the argosy 2005. Only posting as I had a hard time getting the info I needed. 09-12 freightliner fuse box cover diagram - YouTube