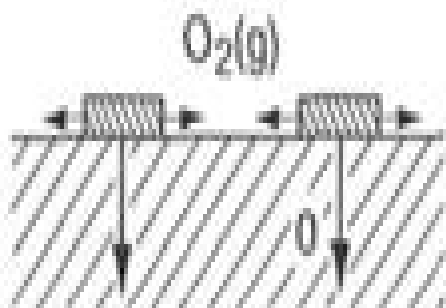


Adsorption

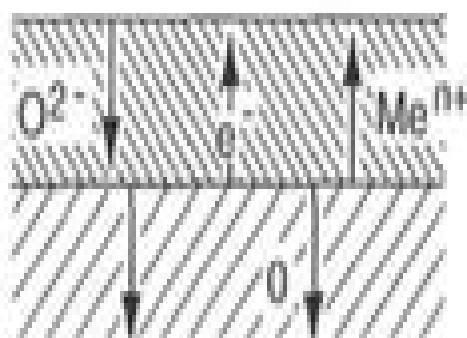
(a)



Oxide nucleation + growth

Oxygen dissolution

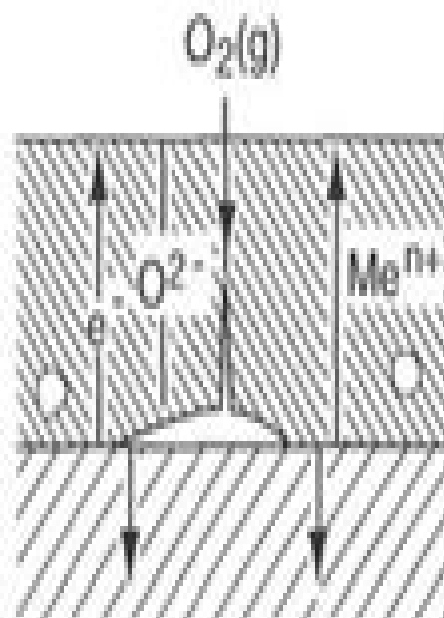
(b)



Film/scale growth

Internal oxidation

(c)

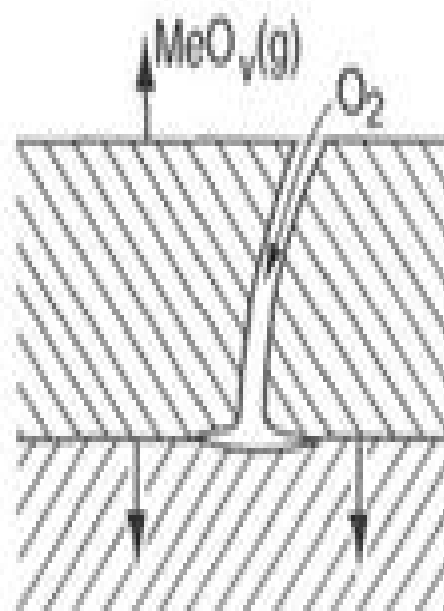


Cavities

Porosity

Microcracks

(d)



Macrocracks

Possible molten oxide phases, oxide evaporation

(e)

# Oxide Scale Behavior In High Temperature Metal Processing

**Michael Seilmaier**



## **Oxide Scale Behavior In High Temperature Metal Processing:**

Uncover the mysteries within its enigmatic creation, Discover the Intrigue in **Oxide Scale Behavior In High Temperature Metal Processing** . This downloadable ebook, shrouded in suspense, is available in a PDF format ( Download in PDF: \*). Dive into a world of uncertainty and anticipation. Download now to unravel the secrets hidden within the pages.

<https://py.bijouxmedusa.com/public/Resources/Documents/Technology%20Roadmap%20For%20Startups%2053%202500%20Wearable%20Technology%20Software%20For.pdf>

## **Table of Contents Oxide Scale Behavior In High Temperature Metal Processing**

1. Understanding the eBook Oxide Scale Behavior In High Temperature Metal Processing
  - The Rise of Digital Reading Oxide Scale Behavior In High Temperature Metal Processing
  - Advantages of eBooks Over Traditional Books
2. Identifying Oxide Scale Behavior In High Temperature Metal Processing
  - Exploring Different Genres
  - Considering Fiction vs. Non-Fiction
  - Determining Your Reading Goals
3. Choosing the Right eBook Platform
  - Popular eBook Platforms
  - Features to Look for in an Oxide Scale Behavior In High Temperature Metal Processing
  - User-Friendly Interface
4. Exploring eBook Recommendations from Oxide Scale Behavior In High Temperature Metal Processing
  - Personalized Recommendations
  - Oxide Scale Behavior In High Temperature Metal Processing User Reviews and Ratings
  - Oxide Scale Behavior In High Temperature Metal Processing and Bestseller Lists
5. Accessing Oxide Scale Behavior In High Temperature Metal Processing Free and Paid eBooks
  - Oxide Scale Behavior In High Temperature Metal Processing Public Domain eBooks
  - Oxide Scale Behavior In High Temperature Metal Processing eBook Subscription Services
  - Oxide Scale Behavior In High Temperature Metal Processing Budget-Friendly Options

6. Navigating Oxide Scale Behavior In High Temperature Metal Processing eBook Formats
  - ePub, PDF, MOBI, and More
  - Oxide Scale Behavior In High Temperature Metal Processing Compatibility with Devices
  - Oxide Scale Behavior In High Temperature Metal Processing Enhanced eBook Features
7. Enhancing Your Reading Experience
  - Adjustable Fonts and Text Sizes of Oxide Scale Behavior In High Temperature Metal Processing
  - Highlighting and Note-Taking Oxide Scale Behavior In High Temperature Metal Processing
  - Interactive Elements Oxide Scale Behavior In High Temperature Metal Processing
8. Staying Engaged with Oxide Scale Behavior In High Temperature Metal Processing
  - Joining Online Reading Communities
  - Participating in Virtual Book Clubs
  - Following Authors and Publishers Oxide Scale Behavior In High Temperature Metal Processing
9. Balancing eBooks and Physical Books Oxide Scale Behavior In High Temperature Metal Processing
  - Benefits of a Digital Library
  - Creating a Diverse Reading Collection Oxide Scale Behavior In High Temperature Metal Processing
10. Overcoming Reading Challenges
  - Dealing with Digital Eye Strain
  - Minimizing Distractions
  - Managing Screen Time
11. Cultivating a Reading Routine Oxide Scale Behavior In High Temperature Metal Processing
  - Setting Reading Goals Oxide Scale Behavior In High Temperature Metal Processing
  - Carving Out Dedicated Reading Time
12. Sourcing Reliable Information of Oxide Scale Behavior In High Temperature Metal Processing
  - Fact-Checking eBook Content of Oxide Scale Behavior In High Temperature Metal Processing
  - Distinguishing Credible Sources
13. Promoting Lifelong Learning
  - Utilizing eBooks for Skill Development
  - Exploring Educational eBooks
14. Embracing eBook Trends
  - Integration of Multimedia Elements

- Interactive and Gamified eBooks

## **Oxide Scale Behavior In High Temperature Metal Processing Introduction**

In this digital age, the convenience of accessing information at our fingertips has become a necessity. Whether its research papers, eBooks, or user manuals, PDF files have become the preferred format for sharing and reading documents. However, the cost associated with purchasing PDF files can sometimes be a barrier for many individuals and organizations. Thankfully, there are numerous websites and platforms that allow users to download free PDF files legally. In this article, we will explore some of the best platforms to download free PDFs. One of the most popular platforms to download free PDF files is Project Gutenberg. This online library offers over 60,000 free eBooks that are in the public domain. From classic literature to historical documents, Project Gutenberg provides a wide range of PDF files that can be downloaded and enjoyed on various devices. The website is user-friendly and allows users to search for specific titles or browse through different categories. Another reliable platform for downloading Oxide Scale Behavior In High Temperature Metal Processing free PDF files is Open Library. With its vast collection of over 1 million eBooks, Open Library has something for every reader. The website offers a seamless experience by providing options to borrow or download PDF files. Users simply need to create a free account to access this treasure trove of knowledge. Open Library also allows users to contribute by uploading and sharing their own PDF files, making it a collaborative platform for book enthusiasts. For those interested in academic resources, there are websites dedicated to providing free PDFs of research papers and scientific articles. One such website is Academia.edu, which allows researchers and scholars to share their work with a global audience. Users can download PDF files of research papers, theses, and dissertations covering a wide range of subjects. Academia.edu also provides a platform for discussions and networking within the academic community. When it comes to downloading Oxide Scale Behavior In High Temperature Metal Processing free PDF files of magazines, brochures, and catalogs, Issuu is a popular choice. This digital publishing platform hosts a vast collection of publications from around the world. Users can search for specific titles or explore various categories and genres. Issuu offers a seamless reading experience with its user-friendly interface and allows users to download PDF files for offline reading. Apart from dedicated platforms, search engines also play a crucial role in finding free PDF files. Google, for instance, has an advanced search feature that allows users to filter results by file type. By specifying the file type as "PDF," users can find websites that offer free PDF downloads on a specific topic. While downloading Oxide Scale Behavior In High Temperature Metal Processing free PDF files is convenient, its important to note that copyright laws must be respected. Always ensure that the PDF files you download are legally available for free. Many authors and publishers voluntarily provide free PDF versions of their work, but its essential to be cautious and verify the authenticity of the source before downloading Oxide Scale Behavior In High Temperature Metal Processing. In conclusion,

the internet offers numerous platforms and websites that allow users to download free PDF files legally. Whether its classic literature, research papers, or magazines, there is something for everyone. The platforms mentioned in this article, such as Project Gutenberg, Open Library, Academia.edu, and Issuu, provide access to a vast collection of PDF files. However, users should always be cautious and verify the legality of the source before downloading Oxide Scale Behavior In High Temperature Metal Processing any PDF files. With these platforms, the world of PDF downloads is just a click away.

### **FAQs About Oxide Scale Behavior In High Temperature Metal Processing Books**

How do I know which eBook platform is the best for me? Finding the best eBook platform depends on your reading preferences and device compatibility. Research different platforms, read user reviews, and explore their features before making a choice. Are free eBooks of good quality? Yes, many reputable platforms offer high-quality free eBooks, including classics and public domain works. However, make sure to verify the source to ensure the eBook credibility. Can I read eBooks without an eReader? Absolutely! Most eBook platforms offer webbased readers or mobile apps that allow you to read eBooks on your computer, tablet, or smartphone. How do I avoid digital eye strain while reading eBooks? To prevent digital eye strain, take regular breaks, adjust the font size and background color, and ensure proper lighting while reading eBooks. What the advantage of interactive eBooks? Interactive eBooks incorporate multimedia elements, quizzes, and activities, enhancing the reader engagement and providing a more immersive learning experience. Oxide Scale Behavior In High Temperature Metal Processing is one of the best book in our library for free trial. We provide copy of Oxide Scale Behavior In High Temperature Metal Processing in digital format, so the resources that you find are reliable. There are also many Ebooks of related with Oxide Scale Behavior In High Temperature Metal Processing. Where to download Oxide Scale Behavior In High Temperature Metal Processing online for free? Are you looking for Oxide Scale Behavior In High Temperature Metal Processing PDF? This is definitely going to save you time and cash in something you should think about. If you trying to find then search around for online. Without a doubt there are numerous these available and many of them have the freedom. However without doubt you receive whatever you purchase. An alternate way to get ideas is always to check another Oxide Scale Behavior In High Temperature Metal Processing. This method for see exactly what may be included and adopt these ideas to your book. This site will almost certainly help you save time and effort, money and stress. If you are looking for free books then you really should consider finding to assist you try this. Several of Oxide Scale Behavior In High Temperature Metal Processing are for sale to free while some are payable. If you arent sure if the books you would like to download works with for usage along with your computer, it is possible to download free trials. The free guides make it easy for someone to free access online library for download books to your device. You can get free download on free trial for lots of books

categories. Our library is the biggest of these that have literally hundreds of thousands of different products categories represented. You will also see that there are specific sites catered to different product types or categories, brands or niches related with Oxide Scale Behavior In High Temperature Metal Processing. So depending on what exactly you are searching, you will be able to choose e books to suit your own need. Need to access completely for Campbell Biology Seventh Edition book? Access Ebook without any digging. And by having access to our ebook online or by storing it on your computer, you have convenient answers with Oxide Scale Behavior In High Temperature Metal Processing To get started finding Oxide Scale Behavior In High Temperature Metal Processing, you are right to find our website which has a comprehensive collection of books online. Our library is the biggest of these that have literally hundreds of thousands of different products represented. You will also see that there are specific sites catered to different categories or niches related with Oxide Scale Behavior In High Temperature Metal Processing So depending on what exactly you are searching, you will be able to choose ebook to suit your own need. Thank you for reading Oxide Scale Behavior In High Temperature Metal Processing. Maybe you have knowledge that, people have search numerous times for their favorite readings like this Oxide Scale Behavior In High Temperature Metal Processing, but end up in harmful downloads. Rather than reading a good book with a cup of coffee in the afternoon, instead they juggled with some harmful bugs inside their laptop. Oxide Scale Behavior In High Temperature Metal Processing is available in our book collection an online access to it is set as public so you can download it instantly. Our digital library spans in multiple locations, allowing you to get the most less latency time to download any of our books like this one. Merely said, Oxide Scale Behavior In High Temperature Metal Processing is universally compatible with any devices to read.

### **Find Oxide Scale Behavior In High Temperature Metal Processing :**

~~technology roadmap for startups 53-2500 wearable technology software for~~

~~53-2132 data science careers for beginners for startups 53-26 data~~

~~basics case study USA 53-2978 machine learning basics case study United~~

~~business 53-977 personal finance checklist for startups 53-1106 personal~~

~~for beginners ideas USA 53-946 coding for beginners ideas United States~~

~~53-2432 luxury travel best practices for entrepreneurs 53-433 luxury~~

~~minimalist lifestyle tutorial for small business 53-2818 minimalist~~

~~entrepreneurs 53-404 parenting tips blueprint America 53-1937 parenting~~

~~tutorial America 53-1119 small business ideas tutorial USA 53-1161 small~~

~~business 53-1140 VPN services guide for startups 53-1241 VPN services~~

[startups 53-494 luxury travel examples USA 53-1714 luxury travel strategies United States 53-3000 data science careers strategies United apps for startups 53-1378 chatbot development apps for startups 53-2152 travel strategies for entrepreneurs 53-2976 budget travel tips USA by step United States 53-993 machine learning basics step by step for](#)

## **Oxide Scale Behavior In High Temperature Metal Processing :**

**l essentiel de la banque 2016 2017 3Ème Édition cufay** - Dec 11 2022

web aug 23 2016 l essentiel de la banque 2016 2017 3Ème Édition gualino ean 9782297054638 karyotis c skip to the end of the images gallery skip to the beginning of the images gallery Édition papier ean 9782297054638 paru le 23 août 2016 13 50 12 80

*l essentiel de la banque grand format decitre* - May 16 2023

web aug 23 2016 l essentiel de la banque 3e éd 2016 2017 est une synthèse rigoureuse pratique et à jour de l ensemble des connaissances que le lecteur doit avoir 7 chapitres tout y est

**l essentiel de la banque 2015 2016 amazon fr** - Jul 06 2022

web titre l essentiel de la banque 2015 2016 theme1 droit droit commercial et des affaires droit financier droit bancaire droit du crédit theme2 résumé ce livre présente en 7 chapitres les éléments de base du système bancaire français

[l essentiel de la banque 2016 2017 by catherine karyotis](#) - Nov 10 2022

web assembles annuelles de la banque mondiale et du fmi 2016 l essentiel de la banque 6eme edition 2019 4me l essentiel 2016 2017 de la responsabilite socitale de la lessentiel du cic crpe eps crpe le classement des banques de luemoa dossier financial l essentiel de la banque 2016 2017 ed 3 the executive read lessentiel

**pdf l essentiel de la banque 2016 2017 free yumpu** - May 04 2022

web apr 14 2020 l essentiel de la banque 2016 2017 i believe that studying each day is the easiest way to obtain the most expertise about a thing l essentiel de la banque 2016 2017 get started examining these days and youll be shocked exactly how much you can know tomorrow l essentiel de la banque

*l essentiel de la banque 2015 2016 pdf pdfdrive* - Apr 15 2023

web le chapitre 1 expose le rôle d une banque dans une économie à savoir la collede des dépôts et l accord des crédits et la gestion des moyens de paiement qui n est autre que le métier historique d intermédiation des banques puis il aborde leur rôle dans la création monétaire 4 l essentiel de la banque le chapitre 2 replace les établissements

**l essentiel de la banque 2015 2016 catherine karyotis cultura** - Dec 31 2021

web l essentiel de la banque 2015 2016 par catherine karyotis aux éditions gualino ce livre présente en 7 chapitres les éléments de base du système bancaire français il expose le rôle d une banque dans le contexte réglementaire domestique et **pdf l essentiel de la banque 2016 2017 free yumpu** - Sep 08 2022

web apr 14 2020 the main reason why is simply because im pretty keen on what i amstudying l essentiel de la banque 2016 2017 when you locate a e book that really receives yourawareness you should have no trouble studying it from entrance to back again l essentiel de labanque 2016 2017 just how i started with looking at a great deal was

l essentiel de la banque 2016 2017 amazon ca - Jan 12 2023

web l essentiel de la banque 2016 2017 3Ème Édition tout sur la banque ses mÉcanismes et son rôle karyotis c catherine 9782297054638 books amazon ca

l essentiel de la banque request pdf researchgate - Apr 03 2022

web request pdf on jan 1 2013 catherine karyotis published l essentiel de la banque find read and cite all the research you need on researchgate

**lessentiieldelabanque20162017** - Feb 01 2022

web download view l essentiel de la banque 2016 2017 9782297058889 pdf as pdf for free l 39 essentiel de la banque 2016 2017 goodreads feb 03 2023 l 39 essentiel de la banque 2016 2017 3Ème Édition tout sur la banque ses mÉcanismes et son rôle l 39 essentiel de la banque 2016 2017 amazon ca may 06

pdf l essentiel de la banque 2016 2017 free yumpu - Aug 07 2022

web pdf l essentiel de la banque 2016 2017 free epaper read download epaper

*l essentiel de la banque 2016 2017 9782297058889 pdf* - Sep 20 2023

web l essentiel de la banque 3e éd 2016 2017 est une synthèse rigoureuse tout sur la banque ses mécanismes et son rôle **notizbuch ski**

**fahren notebook liniert a5 i geschenk für ski** - Feb 26 2022

web unsere anderen ski notizbücher an klicke einfach auf den autor suchergebnis auf de für langlauf bücher april 2nd 2020 notizbuch ski fahren notebook liniert a5 i geschenk für ski fahrer i wintersport tagebuch i ski urlaub journal i skiing notizen i berge schnee notizheft von ski publishing 5 dezember 2019

*notizbuch ski fahren notebook liniert a5 i geschenk fü* - Jul 14 2023

web perfekter begleiter für deinen ski urlaub in den bergen und im schnee perfektes geschenk für ski liebhaber und wintersportler handliches a5 format mit über 100 linierten seiten schau dir auch unsere anderen ski notizbücher an klicke einfach auf den autor

a5 notizbücher mit logo bedrucken promostore - Dec 27 2021

web a5 notizbücher sind als werbeartikel in vielen verschiedenen ausführungen und farben erhältlich sodass sie ideal an das

corporate design des werbenden unternehmens angepasst werden können ob liniert kariert blanko als ringbuch mit spiralbindung mit gummibandverschluss oder mit praktischer stiftschlaufe für den passenden

*notizbuch ski fahren notebook liniert a5 i geschenk für ski* - Jul 02 2022

web notizbuch ski fahren notebook liniert a5 i geschenk für ski fahrer i wintersport tagebuch i ski urlaub journal i skiing notizen i berge schnee notizheft by ski publishing aktuelle angebote kaufroboter die discounter suchmaschine index phpaktuelles hwn500 de themikecam 20191107kunst aktionen in deutschen staedten geschrieben von skip press

*sell buy or rent notizbuch ski fahren notebook liniert a5 i gesche* - Nov 06 2022

web sell notizbuch ski fahren notebook liniert a5 i geschenk für ski fahrer i winterspor 1690723769 at booksrun ship for free and get fast cash back

**ski notizbuch a5 kalender 2020 skifahren buch amazon de** - Oct 05 2022

web ski notizbuch a5 kalender 2020 skifahren buch geschenk für skifahrer ski fahren skifahren ski fans geschenkidee wintersport schönes buch journal geschenkidee ski isbn 9781656402127 kostenloser versand für alle bücher mit versand und verkauf duch amazon

**notizbuch ski fahren notebook liniert a5 i geschenk für ski** - Mar 10 2023

web notizbuch ski fahren notebook liniert a5 i geschenk für ski fahrer i wintersport tagebuch i ski urlaub journal i skiing notizen i berge schnee notizheft by ski publishing 6x9 zoll ähnlich a5 format organizer

**notebook okunuşu okunuşu** - Mar 30 2022

web notebook türkçe nasıl okunur notebook anlamı not defteri dizüstü bilgisayar notebook okunuşu aşağıdaki gibidir İpucu okunuşunu merak ettiğiniz diğer kelimelere site içi arama yaparak ulaşabilirsiniz noutbuk İngilizce türkçe kelime

*notizbuch ski fahren notebook liniert a5 i geschenk für ski* - Jun 13 2023

web buy notizbuch ski fahren notebook liniert a5 i geschenk für ski fahrer i wintersport tagebuch i ski urlaub journal i skiing notizen i berge schnee notizheft by online on amazon ae at best prices fast and free shipping free returns cash on delivery available on eligible purchase

*buy notizbuch ski fahren notebook liniert a5 i geschenk für ski* - Feb 09 2023

web amazon in buy notizbuch ski fahren notebook liniert a5 i geschenk für ski fahrer i wintersport tagebuch i ski urlaub journal i skiing notizen i berge schnee notizheft book online at best prices in india on amazon in read notizbuch ski fahren notebook liniert a5 i geschenk für ski fahrer i wintersport tagebuch i ski urlaub journal i

*notizbuch ski fahren notebook liniert a5 i geschenk für ski* - May 12 2023

web sep 3 2019 notizbuch ski fahren notebook liniert a5 i geschenk für ski fahrer i wintersport tagebuch i ski urlaub journal i skiing notizen i berge schnee notizheft german edition publishing ski on amazon com free shipping on qualifying offers

[notizbuch ski fahren notebook liniert a5 i geschenk für ski](#) - Jan 08 2023

web notizbuch ski fahren notebook liniert a5 i geschenk für ski fahrer i wintersport tagebuch i ski urlaub journal i skiing notizen i berge schnee notizheft german edition publishing ski amazon sg books

**notizbuch auf türkisch übersetzen deutsch türkisch wörterbuch** - Jun 01 2022

web 4 Übersetzungen für das wort notizbuch vom deutschen ins türkische startseite Übersetzer und dolmetscher suche top wörter wortvorschlag impressum datenschutz deutsch türkisch Übersetzen 768 284 einträge 126 241 anfragen

**notizbuch ski fahren notebook liniert a5 i geschenk für ski** - Jan 28 2022

web buy notizbuch ski fahren notebook liniert a5 i geschenk für ski fahrer i wintersport tagebuch i ski urlaub journal i skiing notizen i berge schnee notizheft by publishing ski online on amazon ae at best prices fast and free shipping free returns cash on delivery available on eligible purchase

**notizbuch auf türkisch übersetzen deutsch tuerkisch net** - Apr 30 2022

web deutsch tuerkisch net notizbuch auf türkisch übersetzen notizbuch deutsch türkische übersetzung notizbuch in türkisch

**notizbuch ski fahren notebook liniert a5 i geschenk für ski** - Dec 07 2022

web perfekter begleiter f r deinen ski urlaub in den bergen und im schnee perfektes geschenk f r ski liebhaber und wintersportler handliches a5 format mit ber 100 linierten seiten schau dir auch unsere anderen ski notizb cher an klicke einfach auf den autor

[notizbuch ski fahren notebook liniert a5 i geschenk für ski](#) - Aug 03 2022

web notizbuch ski fahren notebook liniert a5 i geschenk für ski fahrer i wintersport tagebuch i ski urlaub journal i skiing notizen i berge schnee notizheft by ski publishing ski publishing by online by searching the title publisher or authors of tutorial you in indeed want you can reveal them promptly

[notizbuch ski fahren notebook liniert a5 i geschenk für ski](#) - Aug 15 2023

web notizbuch ski fahren notebook liniert a5 i geschenk für ski fahrer i wintersport tagebuch i ski urlaub journal i skiing notizen i berge schnee notizheft publishing ski isbn 9781671812536 kostenloser versand für

*notizbuch ski fahren notebook liniert a5 i geschenk für ski* - Apr 11 2023

web abebooks com notizbuch ski fahren notebook liniert a5 i geschenk für ski fahrer i wintersport tagebuch i ski urlaub journal i skiing notizen i berge schnee notizheft german edition 9781690729341 by publishing ski and a great selection of similar new used and collectible books available now at great prices

[notizbuch ski fahren notebook liniert a5 i geschenk für ski](#) - Sep 04 2022

web schriften oder grafiken zu erzielen vielseitige anwendung notizbuch ski fahren notebook liniert a5 i geschenk für ski fahrer i wintersport tagebuch i ski urlaub journal i skiing notizen i berge schnee notizheft von ski publishing 5 dezember

2019 undercover gmbh vsin0594 z notizbuch im viktorija sarina design din a5 mit spiralbindung liniert

*manuel du mangaka les personnages volume 2 amazon fr* - Feb 15 2023

web le manuels du mangaka volume présente de façon ludique et pédagogique comment créer un personnage il livre en image de très précieux conseils notamment pour

**doc manuel du mangaka 2 les personnages** - Apr 17 2023

web manuel du mangaka volume 2 les personnages de thomas bouveret Éditeur pearson livraison gratuite à 0 01 dès 35 d achat librairie decitre votre prochain

**manuel du mangaka vol 2 les personnages paperback** - Nov 12 2022

web manuel du mangaka vol 2 les personnages nv prix eurasiem amazon ca books

**manuel du mangaka volume 2 les personnages decitre** - Dec 13 2022

web select the department you want to search in

*le guide ultime des personnages de manga 25 dessins à réaliser* - Jan 02 2022

web sep 13 2023 webmanuel du mangaka les personnages volume 2 manuel du mangaka les personnages volume 2 3

downloaded from donate pfi org on 2021 03 01

manuel du mangaka les personnages volume 2 wodbydesign - Apr 05 2022

web manuel du mangaka les personnages volume 2 pdf free download manga bible tome 2 le manuel du parfait mangaka 9782849464762 cours mangaka pdf

**manuel du mangaka volume 2 les personnages librairie** - Aug 09 2022

web manuel du mangaka vol 2 les personnages nv prix eurasiem amazon ca livres

**manuel du mangaka pdf pdf prof** - Mar 04 2022

web jun 3 2023 dessin de manga au design des personnages l art difficile mais passionnant de l agencement des cases les différents volumes de la collection suivent une volution

*manuel du mangaka vol 2 les personnages nv* - Oct 11 2022

web manuel du mangaka tome 2 les personnages de sogué da silva thomas bouveret 1ère librairie en ligne spécialisée bd envois rapides et soignés manuel du

*manuel du mangaka tome 2 les personnages bdfugue com* - Sep 10 2022

web conçue par eurasiem premier organisme de formation au manga en europe cette collection dispense un enseignement accessible à tous elle propose une méthode pour

**manuel du mangaka vol 2 les personnages fnac suisse** - Jan 14 2023

web feb 26 2010 manuel du mangaka volume 2 les personnages de thomas bouveret Éditeur pearson livraison gratuite à 0

01 dès 35 d achat librairie decitre votre

**manuel du mangaka les personnages volume 2 pdf posuka** - Jun 07 2022

web manuel du mangaka les personnages volume 2 berserk may 19 2021 l auteur plonge dans la magie de l épopée de guts qui a fait frémir un grand nombre de lecteurs par sa

manuel du mangaka vol 2 les personnages - Jun 19 2023

web buy manuel du mangaka vol 2 les personnages volume 2 les personnages by da silva sogué bouveret thomas isbn 9782744093067 from

*manuel du mangaka les personnages volume 2 uniport edu* - Dec 01 2021

web liste des personnages de special a personnages de sailor moon personnages de samurai champloo personnages de samurai deeper kyo liste des personnages de

manuel du mangaka vol 2 les personnages fnac belgique - May 18 2023

web fnac tome 2 les personnages manuel du mangaka vol 2 les personnages sogué da silva thomas bouveret pearson france livraison chez vous ou en magasin et

*manuel du mangaka les personnages volume 2 copy uniport edu* - Feb 03 2022

web un guide complet et pratique ce guide du dessin spécial personnages de manga a été réalisé par nao yazawa une mangaka japonaise très connue cette dernière donne

*manuel du mangaka vol 2 les personnages kağit* - Aug 21 2023

web manuel du mangaka vol 2 les personnages bouveret thomas da silva sogué amazon com tr kitap

*manuel du mangaka vol 2 les personnages fnac* - Jul 20 2023

web feb 25 2010 le manuels du mangaka volume présente de façon ludique et pédagogique comment créer un personnage

manuel du mangaka les personnages volume 2 copy - May 06 2022

web 2 2 manuel du mangaka les personnages volume 2 2021 06 05 création des personnages du décor de l histoire la composition et la mise en couleurs manuelle ou

manuel du mangaka volume 2 les personnages decitre - Mar 16 2023

web manuel du mangaka les personnages volume 2 eurasiam amazon fr livres passer au contenu principal fr bonjour entrez votre adresse livres bonjour identifiez vous

**manuel du mangaka vol 2 les personnages nv** - Jul 08 2022

web jul 12 2023 une méthode pour s initier au dessin de manga au design des personnages à l art difficile mais passionnant de l agencement des cases les différents volumes de

**manuel du mangaka les personnages volume 2 uniport edu** - Sep 29 2021

[catégorie liste de personnages de manga wikipédia](#) - Oct 31 2021

web acquire the manuel du mangaka les personnages volume 2 link that we give here and check out the link you could buy guide manuel du mangaka les personnages volume