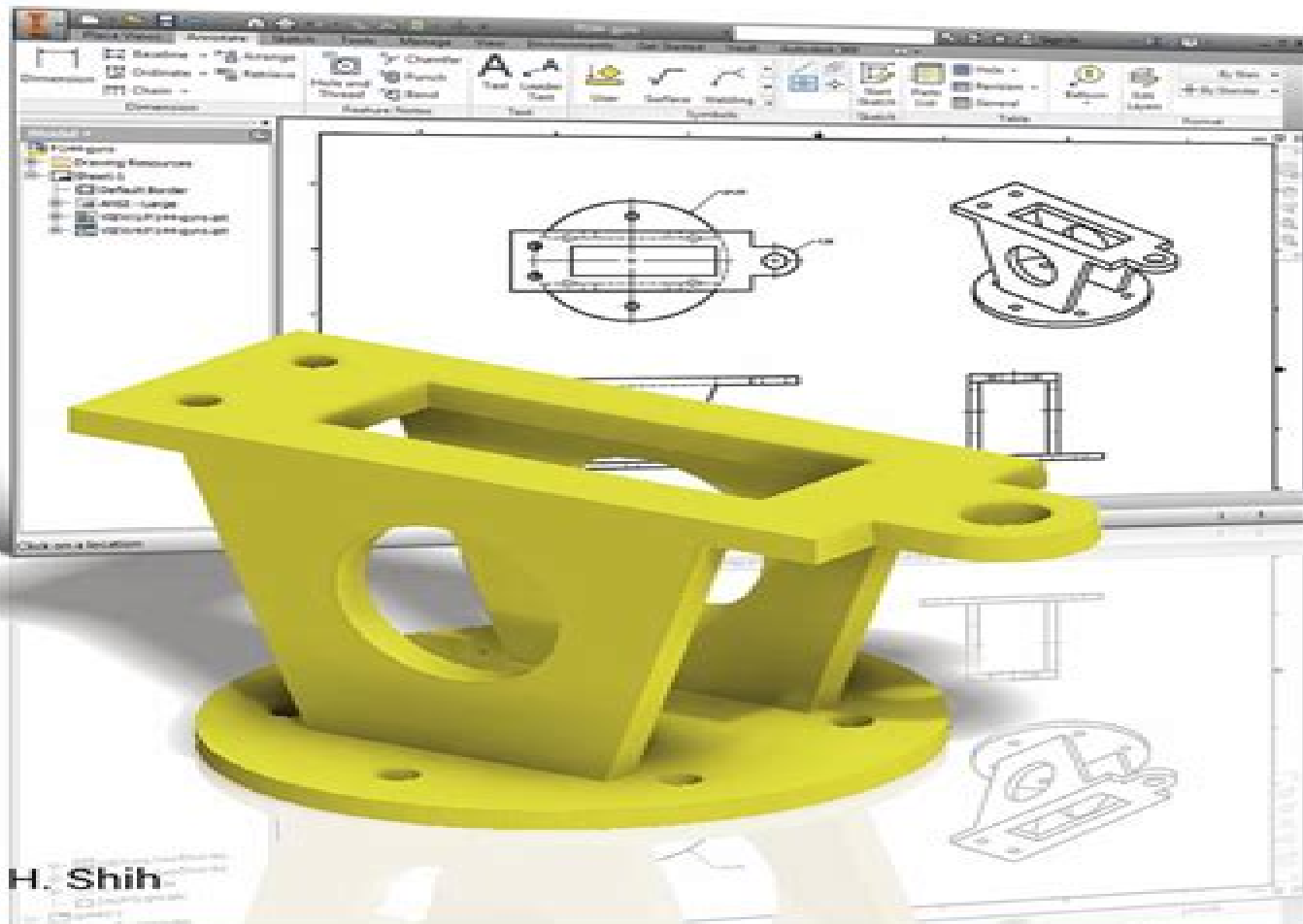


Parametric Modeling with Autodesk Inventor 2017



Randy H. Shih

Parametric Modeling With Autodesk Inventor 2017

Randy Shih, Luke Jumper



Parametric Modeling With Autodesk Inventor 2017:

Parametric Modeling with Autodesk Inventor 2017 Randy Shih, 2016-05 Parametric Modeling with Autodesk Inventor 2017 contains a series of sixteen tutorial style lessons designed to introduce Autodesk Inventor solid modeling and parametric modeling. It uses a hands-on, exercise-intensive approach to all the important parametric modeling techniques and concepts. The lessons guide the user from constructing basic shapes to building intelligent mechanical designs, creating multi-view drawings and assembly models. Other featured topics include sheet metal design, motion analysis, 2D design reuse, collision and contact stress analysis, and the Autodesk Inventor 2017 Certified User Examination. [Parametric Modeling with Autodesk Inventor 2024](#) Randy Shih, 2023-08-16 Designed specifically for beginners with no prior CAD experience. Uses a hands-on, exercise-intensive tutorial style approach. Comes with extensive video instruction. Covers parametric modeling, 3D Modeling, 3D printing, and the Autodesk Inventor Certified User Exam. Contains a chapter introducing you to stress analysis. **Parametric Modeling with Autodesk Inventor 2024** contains a series of seventeen tutorial style lessons designed to introduce Autodesk Inventor solid modeling and parametric modeling. It uses a hands-on, exercise-intensive approach to all the important parametric modeling techniques and concepts. The lessons guide the user from constructing basic shapes to building intelligent mechanical designs, creating multi-view drawings and assembly models. Other featured topics include sheet metal design, motion analysis, 2D design reuse, collision and contact stress analysis, 3D printing, and the Autodesk Inventor 2024 Certified User Examination. Video Training Included with every new copy of this book is access to extensive video training. There are forty-seven videos that total nearly six hours of training in total. This video training parallels the exercises found in the text. However, the videos do more than just provide you with click-by-click instructions. Author Luke Jumper also includes a brief discussion of each tool as well as rich insight into why and how the tools are used. Luke isn't just telling you what to do; he's showing and explaining to you how to go through the exercises while providing clear descriptions of the entire process. It's like having him there guiding you through the book. These videos will provide you with a wealth of information and bring the text to life. They are also an invaluable resource for people who learn best through a visual experience. These videos deliver a comprehensive overview of the tools found in Autodesk Inventor and perfectly complement and reinforce the exercises in the book. *Parametric Modeling with Autodesk Inventor 2025* Randy Shih, 2024-06 Designed specifically for beginners with no prior CAD experience. Uses a hands-on, exercise-intensive tutorial style approach. Comes with extensive video instruction. Covers parametric modeling, 3D Modeling, 3D printing, and the Autodesk Inventor Certified User Exam. Contains a chapter introducing you to stress analysis. **Parametric Modeling with Autodesk Inventor 2025** contains a series of seventeen tutorial style lessons designed to introduce Autodesk Inventor solid modeling and parametric modeling. It uses a hands-on, exercise-intensive approach to all the important parametric modeling techniques and concepts. The lessons guide the user from constructing basic shapes to building intelligent mechanical designs, creating multi-view drawings and

assembly models Other featured topics include sheet metal design motion analysis 2D design reuse collision and contact stress analysis 3D printing and the Autodesk Inventor 2025 Certified User Examination Video Training Included with every new copy of this book is access to extensive video training There are forty seven videos that total nearly six hours of training in total This video training parallels the exercises found in the text However the videos do more than just provide you with click by click instructions Author Luke Jumper also includes a brief discussion of each tool as well as rich insight into why and how the tools are used Luke isn t just telling you what to do he s showing and explaining to you how to go through the exercises while providing clear descriptions of the entire process It s like having him there guiding you through the book These videos will provide you with a wealth of information and brings the text to life They are also an invaluable resource for people who learn best through a visual experience These videos deliver a comprehensive overview of the tools found in Autodesk Inventor and perfectly complement and reinforce the exercises in the book

Parametric Modeling with Autodesk Inventor 2018 Randy Shih,2017-09-07 Parametric Modeling with Autodesk Inventor 2018 contains a series of seventeen tutorial style lessons designed to introduce Autodesk Inventor solid modeling and parametric modeling It uses a hands on exercise intensive approach to all the important parametric modeling techniques and concepts The lessons guide the user from constructing basic shapes to building intelligent mechanical designs creating multi view drawings and assembly models Other featured topics include sheet metal design motion analysis 2D design reuse collision and contact stress analysis 3D printing and the Autodesk Inventor 2018 Certified User Examination

Parametric Modeling with Autodesk Inventor 2023 Randy Shih,Luke Jumper,2022-07 Parametric Modeling with Autodesk Inventor 2023 contains a series of seventeen tutorial style lessons designed to introduce Autodesk Inventor solid modeling and parametric modeling It uses a hands on exercise intensive approach to all the important parametric modeling techniques and concepts The lessons guide the user from constructing basic shapes to building intelligent mechanical designs to creating multi view drawings and assembly models Other featured topics include sheet metal design motion analysis 2D design reuse collision and contact stress analysis 3D printing and the Autodesk Inventor 2023 Certified User Examination Video Training Included with every new copy of this book is access to extensive video training There are forty seven videos that total nearly six hours of training in total This video training parallels the exercises found in the text However the videos do more than just provide you with click by click instructions Author Luke Jumper also includes a brief discussion of each tool as well as rich insight into why and how the tools are used Luke isn t just telling you what to do he s showing and explaining to you how to go through the exercises while providing clear descriptions of the entire process It s like having him there guiding you through the book These videos will provide you with a wealth of information and brings the text to life They are also an invaluable resource for people who learn best through a visual experience These videos deliver a comprehensive overview of the tools found in Autodesk Inventor and perfectly complement and reinforce the exercises in the book

Parametric Modeling with

Autodesk Inventor 2019 Randy Shih, 2018 Parametric Modeling with Autodesk Inventor 2019 contains a series of seventeen tutorial style lessons designed to introduce Autodesk Inventor solid modeling and parametric modeling. It uses a hands on exercise intensive approach to all the important parametric modeling techniques and concepts. The lessons guide the user from constructing basic shapes to building intelligent mechanical designs to creating multi view drawings and assembly models. Other featured topics include sheet metal design motion analysis 2D design reuse collision and contact stress analysis 3D printing and the Autodesk Inventor 2019 Certified User Examination. Autodesk Inventor 2019 Certified User Examination. The content of Parametric Modeling with Autodesk Inventor 2019 covers the performance tasks that have been identified by Autodesk as being included on the Autodesk Inventor 2019 Certified User examination. Special reference guides show students where the performance tasks are covered in the book. If you are teaching an introductory level Autodesk Inventor course and you want to prepare your students for the Autodesk Inventor 2019 Certified User Examination, this is the only book that you need. If your students are not interested in the Autodesk Inventor 2019 Certified User Exam, they will still be studying the most important tools and techniques of Autodesk Inventor as identified by Autodesk.

Proceedings of the 5th International Conference on Industrial Engineering (ICIE 2019) Andrey A.

Radionov, Oleg A. Kravchenko, Victor I. Guzeev, Yuriy V. Rozhdestvenskiy, 2019-11-30. This book highlights recent findings in industrial manufacturing and mechanical engineering and provides an overview of the state of the art in these fields, mainly in Russia and Eastern Europe. A broad range of topics and issues in modern engineering are discussed, including the dynamics of machines and working processes, friction, wear, and lubrication in machines, surface transport, and technological machines, manufacturing engineering of industrial facilities, materials engineering, metallurgy, control systems, and their industrial applications, industrial mechatronics, automation, and robotics. The book gathers selected papers presented at the 5th International Conference on Industrial Engineering (ICIE) held in Sochi, Russia, in March 2019. The authors are experts in various fields of engineering, and all papers have been carefully reviewed. Given its scope, the book will be of interest to a wide readership, including mechanical and production engineers, lecturers in engineering disciplines, and engineering graduates.

Parametric Modeling with Autodesk Inventor 2022 Randy Shih, Luke Jumper, 2021-06. Parametric Modeling with Autodesk Inventor 2022 contains a series of seventeen tutorial style lessons designed to introduce Autodesk Inventor solid modeling and parametric modeling. It uses a hands on exercise intensive approach to all the important parametric modeling techniques and concepts. The lessons guide the user from constructing basic shapes to building intelligent mechanical designs to creating multi view drawings and assembly models. Other featured topics include sheet metal design motion analysis 2D design reuse collision and contact stress analysis 3D printing and the Autodesk Inventor 2022 Certified User Examination. Video Training Included with every new copy of this book is access to extensive video training. There are forty seven videos that total nearly six hours of training in total. This video training parallels the exercises found in the text.

However the videos do more than just provide you with click by click instructions Author Luke Jumper also includes a brief discussion of each tool as well as rich insight into why and how the tools are used Luke isn't just telling you what to do he's showing and explaining to you how to go through the exercises while providing clear descriptions of the entire process It's like having him there guiding you through the book These videos will provide you with a wealth of information and brings the text to life They are also an invaluable resource for people who learn best through a visual experience These videos deliver a comprehensive overview of the tools found in Autodesk Inventor and perfectly complement and reinforce the exercises in the book [Proceedings of the 10th International Conference on Industrial Engineering](#) Andrey A. Radionov, Vadim R.

Gasiyarov, 2024-07-20 This book highlights recent findings in industrial manufacturing and mechanical engineering and provides an overview of the state of the art in these fields mainly in Russia and Eastern Europe A broad range of topics and issues in modern engineering is discussed including the machinery and mechanism design dynamics of machines and working processes friction wear and lubrication in machines design and manufacturing engineering of industrial facilities transport and technological machines mechanical treatment of materials industrial hydraulic systems This book gathers selected papers presented at the 10th International Conference on Industrial Engineering ICIE held in Sochi Russia in May 2024 The authors are experts in various fields of engineering and all papers have been carefully reviewed Given its scope this book will be of interest to a wide readership including mechanical and production engineers lecturers in engineering disciplines and engineering graduates **Proceedings of the 9th International Conference on Industrial Engineering**

Andrey A. Radionov, Vadim R. Gasiyarov, 2023-08-28 This book highlights recent findings in industrial manufacturing and mechanical engineering and provides an overview of the state of the art in these fields mainly in Russia and Eastern Europe A broad range of topics and issues in modern engineering is discussed including the machinery and mechanism design dynamics of machines and working processes friction wear and lubrication in machines design and manufacturing engineering of industrial facilities transport and technological machines mechanical treatment of materials industrial hydraulic systems This book gathers selected papers presented at the 9th International Conference on Industrial Engineering ICIE held in Sochi Russia in May 2023 The authors are experts in various fields of engineering and all papers have been carefully reviewed Given its scope this book will be of interest to a wide readership including mechanical and production engineers lecturers in engineering disciplines and engineering graduates [Parametric Modeling with Autodesk Inventor](#)

[2020](#) Randy Shih, 2019-06 Parametric Modeling with Autodesk Inventor 2020 contains a series of seventeen tutorial style lessons designed to introduce Autodesk Inventor solid modeling and parametric modeling It uses a hands on exercise intensive approach to all the important parametric modeling techniques and concepts The lessons guide the user from constructing basic shapes to building intelligent mechanical designs to creating multi view drawings and assembly models Other featured topics include sheet metal design motion analysis 2D design reuse collision and contact stress analysis 3D

printing and the Autodesk Inventor 2020 Certified User Examination Autodesk Inventor 2020 Certified User Examination The content of Parametric Modeling with Autodesk Inventor 2020 covers the performance tasks that have been identified by Autodesk as being included on the Autodesk Inventor 2020 Certified User examination Special reference guides show students where the performance tasks are covered in the book *Tools for Design Using AutoCAD 2017 and Autodesk Inventor 2017* Randy Shih,2016 *Tools for Design* is intended to provide the user with an overview of computer aided design using two popular CAD software packages from Autodesk AutoCAD and Autodesk Inventor This book explores the strengths of each package and shows how they can be used in design both separately and in combination with each other

Parametric Modeling with Autodesk Inventor 2021 Randy Shih,Luke Jumper,2020-07 Parametric Modeling with Autodesk Inventor 2021 contains a series of seventeen tutorial style lessons designed to introduce Autodesk Inventor solid modeling and parametric modeling It uses a hands on exercise intensive approach to all the important parametric modeling techniques and concepts The lessons guide the user from constructing basic shapes to building intelligent mechanical designs to creating multi view drawings and assembly models Other featured topics include sheet metal design motion analysis 2D design reuse collision and contact stress analysis 3D printing and the Autodesk Inventor 2021 Certified User Examination Video Training Included with every new copy of this book is access to extensive video training The video training parallels the exercises found in the text and are designed to be watched first before following the instructions in the book However the videos do more than just provide you with click by click instructions Author Luke Jumper also includes a brief discussion of each tool as well as rich insight into why and how the tools are used Luke isn t just telling you what to do he s showing and explaining to you how to go through the exercises while providing clear descriptions of the entire process It s like having him there guiding you through the book These videos will provide you with a wealth of information and brings the text to life They are also an invaluable resource for people who learn best through a visual experience These videos deliver a comprehensive overview of the tools found in Autodesk Inventor and perfectly complement and reinforce the exercises in the book Autodesk Inventor 2021 Certified User Examination The content of Parametric Modeling with Autodesk Inventor 2021 covers the performance tasks that have been identified by Autodesk as being included on the Autodesk Inventor 2021 Certified User examination Special reference guides show students where the performance tasks are covered in the book **Parametric Modeling with Autodesk Inventor 2016** Randy Shih,2015-05 Parametric Modeling with Autodesk Inventor 2016 contains a series of sixteen tutorial style lessons designed to introduce Autodesk Inventor solid modeling and parametric modeling It uses a hands on exercise intensive approach to all the important parametric modeling techniques and concepts The lessons guide the user from constructing basic shapes to building intelligent mechanical designs creating multi view drawings and assembly models Other featured topics include sheet metal design motion analysis 2D design reuse collision and contact stress analysis and the Autodesk Inventor 2016 Certified User Examination

AutoCAD 2019 Tutorial First Level 2D Fundamentals Randy Shih, Luke Jumper, 2018-05-31 The primary goal of AutoCAD 2019 Tutorial First Level 2D Fundamentals is to introduce the aspects of Computer Aided Design and Drafting CADD This text is intended to be used as a training guide for students and professionals This text covers AutoCAD 2019 and the lessons proceed in a pedagogical fashion to guide you from constructing basic shapes to making multiview drawings This textbook contains a series of eleven tutorial style lessons designed to introduce beginning CAD users to AutoCAD 2019 It takes a hands on exercise intensive approach to all the important 2D CAD techniques and concepts This text is also helpful to AutoCAD users upgrading from a previous release of the software The new improvements and key enhancements of the software are incorporated into the lessons The 2D CAD techniques and concepts discussed in this text are also designed to serve as the foundation to the more advanced parametric feature based CAD packages such as Autodesk Inventor The basic premise of this book is that the more designs you create using AutoCAD 2019 the better you learn the software With this in mind each lesson introduces a new set of commands and concepts building on previous lessons This book is intended to help readers establish a good basis for exploring and growing in the exciting field of Computer Aided Engineering Video Training Included with every new copy of AutoCAD 2019 Tutorial First Level 2D Fundamentals is access to extensive video training The video training parallels the exercises found in the text and are designed to be watched first before following the instructions in the book However the videos do more than just provide you with click by click instructions Author Luke Jumper also includes a brief discussion of each tool as well as rich insight into why and how the tools are used Luke isn't just telling you what to do he's showing and explaining to you how to go through the exercises while providing clear descriptions of the entire process It's like having him there guiding you through the book These videos will provide you with a wealth of information and brings the text to life They are also an invaluable resource for people who learn best through a visual experience These videos deliver a comprehensive overview of the 2D tools found in AutoCAD and perfectly complement and reinforce the exercises in the book AutoCAD 2019 Certified User Examination The content of AutoCAD 2019 Tutorial First Level 2D Fundamentals covers the performance tasks that have been identified by Autodesk as being included on the AutoCAD 2019 Certified User Examination Special reference guides show you where the performance tasks are covered in the book If you are teaching an introductory level AutoCAD course and you want to prepare your students for the AutoCAD 2019 Certified User Examination this is the only book that you need If your students are not interested in the AutoCAD 2019 Certified User Examination they will still be studying the most important tools and techniques of AutoCAD as identified by Autodesk

AutoCAD 2020 Tutorial First Level 2D Fundamentals Randy Shih, Luke Jumper, 2019-06 The primary goal of AutoCAD 2020 Tutorial First Level 2D Fundamentals is to introduce the aspects of Computer Aided Design and Drafting CADD This text is intended to be used as a training guide for students and professionals This text covers AutoCAD 2020 and the lessons proceed in a pedagogical fashion to guide you from constructing basic shapes to making multiview drawings This

textbook contains a series of eleven tutorial style lessons designed to introduce beginning CAD users to AutoCAD 2020. It takes a hands on exercise intensive approach to all the important 2D CAD techniques and concepts. This text is also helpful to AutoCAD users upgrading from a previous release of the software. The new improvements and key enhancements of the software are incorporated into the lessons. The 2D CAD techniques and concepts discussed in this text are also designed to serve as the foundation to the more advanced parametric feature based CAD packages such as Autodesk Inventor. The basic premise of this book is that the more designs you create using AutoCAD 2020 the better you learn the software. With this in mind each lesson introduces a new set of commands and concepts building on previous lessons. This book is intended to help readers establish a good basis for exploring and growing in the exciting field of Computer Aided Engineering Video Training. Included with every new copy of AutoCAD 2020 Tutorial First Level 2D Fundamentals is access to extensive video training. The video training parallels the exercises found in the text and is designed to be watched first before following the instructions in the book. However the videos do more than just provide you with click by click instructions. Author Luke Jumper also includes a brief discussion of each tool as well as rich insight into why and how the tools are used. Luke isn't just telling you what to do he's showing and explaining to you how to go through the exercises while providing clear descriptions of the entire process. It's like having him there guiding you through the book. These videos will provide you with a wealth of information and bring the text to life. They are also an invaluable resource for people who learn best through a visual experience. These videos deliver a comprehensive overview of the 2D tools found in AutoCAD and perfectly complement and reinforce the exercises in the book.

Advances in Design Engineering Francisco Cavas-Martínez, Félix Sanz-Adan, Paz Morer Camo, Ruben Lostado Lorza, Jacinto Santamaría Peña, 2020-03-09. This book gathers the papers presented at the XXIX International Congress INGEGRAF The digital transformation in graphic engineering which was held in Logroño Spain on June 20-21 2019. It reports on cutting edge topics in product design and manufacturing such as industrial methods for integrated product and process design innovative design and computer aided design. Further topics covered include virtual simulation and reverse engineering additive manufacturing product manufacturing engineering methods in medicine and education representation techniques and design and modeling for nautical engineering and construction aeronautics and aerospace contexts. The book is divided into six main sections reflecting the focus and primary themes of the conference. The contributions presented here will not only provide researchers engineers and experts in a range of industrial engineering subfields with extensive information to support them in their daily work but will also stimulate new research directions advanced applications of the methods discussed and future interdisciplinary collaborations.

Parametric Modeling with Autodesk Inventor 2015 Randy Shih, 2014-06-13. Parametric Modeling with Autodesk Inventor 2015 contains a series of sixteen tutorial style lessons designed to introduce Autodesk Inventor solid modeling and parametric modeling. It uses a hands on exercise intensive approach to all the important parametric modeling techniques and concepts. The lessons guide the

user from constructing basic shapes to building intelligent mechanical designs creating multi view drawings and assembly models Other featured topics include sheet metal design motion analysis 2D design reuse collision and contact stress analysis and the Autodesk Inventor 2015 Certified User Examination

AutoCAD 2021 Tutorial First Level 2D Fundamentals
Randy Shih,2020-06-10 The primary goal of AutoCAD 2021 Tutorial First Level 2D Fundamentals is to introduce the aspects of Computer Aided Design and Drafting CADD This text is intended to be used as a training guide for students and professionals This text covers AutoCAD 2021 and the lessons proceed in a pedagogical fashion to guide you from constructing basic shapes to making multiview drawings This textbook contains a series of eleven tutorial style lessons designed to introduce beginning CAD users to AutoCAD 2021 It takes a hands on exercise intensive approach to all the important 2D CAD techniques and concepts This text is also helpful to AutoCAD users upgrading from a previous release of the software The new improvements and key enhancements of the software are incorporated into the lessons The 2D CAD techniques and concepts discussed in this text are also designed to serve as the foundation to the more advanced parametric feature based CAD packages such as Autodesk Inventor The basic premise of this book is that the more designs you create using AutoCAD 2021 the better you learn the software With this in mind each lesson introduces a new set of commands and concepts building on previous lessons This book is intended to help readers establish a good basis for exploring and growing in the exciting field of Computer Aided Engineering Video Training Included with every new copy of AutoCAD 2021 Tutorial First Level 2D Fundamentals is access to extensive video training The video training parallels the exercises found in the text and is designed to be watched first before following the instructions in the book However the videos do more than just provide you with click by click instructions Author Luke Jumper also includes a brief discussion of each tool as well as rich insight into why and how the tools are used Luke isn't just telling you what to do he's showing and explaining to you how to go through the exercises while providing clear descriptions of the entire process It's like having him there guiding you through the book These videos will provide you with a wealth of information and bring the text to life They are also an invaluable resource for people who learn best through a visual experience These videos deliver a comprehensive overview of the 2D tools found in AutoCAD and perfectly complement and reinforce the exercises in the book

[Autodesk Inventor 2017 and Engineering Graphics](#) Randy Shih,2016-06 Autodesk Inventor 2017 and Engineering Graphics An Integrated Approach will teach you the principles of engineering graphics while instructing you on how to use the powerful 3D modeling capabilities of Autodesk Inventor 2017 Using step by step tutorials this text will teach you how to create and read engineering drawings while becoming proficient at using the most common features of Autodesk Inventor By the end you will be fully prepared to take and pass the Autodesk Inventor Certified User Exam This text is intended to be used as a training guide for students and professionals The chapters in this text proceed in a pedagogical fashion to guide you from constructing basic shapes to making complete sets of engineering drawings This text takes a hands on exercise intensive

approach to all the important concepts of Engineering Graphics as well as in depth discussions of parametric feature based CAD techniques This textbook contains a series of fifteen chapters with detailed step by step tutorial style lessons designed to introduce beginning CAD users to the graphic language used in all branches of technical industry This book does not attempt to cover all of Autodesk Inventor 2017 s features only to provide an introduction to the software It is intended to help you establish a good basis for exploring and growing in the exciting field of Computer Aided Engineering

The Enigmatic Realm of **Parametric Modeling With Autodesk Inventor 2017**: Unleashing the Language is Inner Magic

In a fast-paced digital era where connections and knowledge intertwine, the enigmatic realm of language reveals its inherent magic. Its capacity to stir emotions, ignite contemplation, and catalyze profound transformations is nothing lacking extraordinary. Within the captivating pages of **Parametric Modeling With Autodesk Inventor 2017** a literary masterpiece penned by a renowned author, readers embark on a transformative journey, unlocking the secrets and untapped potential embedded within each word. In this evaluation, we shall explore the book's core themes, assess its distinct writing style, and delve into its lasting effect on the hearts and minds of those that partake in its reading experience.

https://py.bijouxmedusa.com/About/browse/index.jsp/Growth_Tutorial_For_Entrepreneurs_3_6_YouTube_Growth_Tutorial_For_Small.pdf

Table of Contents Parametric Modeling With Autodesk Inventor 2017

1. Understanding the eBook Parametric Modeling With Autodesk Inventor 2017
 - The Rise of Digital Reading Parametric Modeling With Autodesk Inventor 2017
 - Advantages of eBooks Over Traditional Books
2. Identifying Parametric Modeling With Autodesk Inventor 2017
 - Exploring Different Genres
 - Considering Fiction vs. Non-Fiction
 - Determining Your Reading Goals
3. Choosing the Right eBook Platform
 - Popular eBook Platforms
 - Features to Look for in an Parametric Modeling With Autodesk Inventor 2017
 - User-Friendly Interface
4. Exploring eBook Recommendations from Parametric Modeling With Autodesk Inventor 2017
 - Personalized Recommendations
 - Parametric Modeling With Autodesk Inventor 2017 User Reviews and Ratings

- Parametric Modeling With Autodesk Inventor 2017 and Bestseller Lists
- 5. Accessing Parametric Modeling With Autodesk Inventor 2017 Free and Paid eBooks
 - Parametric Modeling With Autodesk Inventor 2017 Public Domain eBooks
 - Parametric Modeling With Autodesk Inventor 2017 eBook Subscription Services
 - Parametric Modeling With Autodesk Inventor 2017 Budget-Friendly Options
- 6. Navigating Parametric Modeling With Autodesk Inventor 2017 eBook Formats
 - ePub, PDF, MOBI, and More
 - Parametric Modeling With Autodesk Inventor 2017 Compatibility with Devices
 - Parametric Modeling With Autodesk Inventor 2017 Enhanced eBook Features
- 7. Enhancing Your Reading Experience
 - Adjustable Fonts and Text Sizes of Parametric Modeling With Autodesk Inventor 2017
 - Highlighting and Note-Taking Parametric Modeling With Autodesk Inventor 2017
 - Interactive Elements Parametric Modeling With Autodesk Inventor 2017
- 8. Staying Engaged with Parametric Modeling With Autodesk Inventor 2017
 - Joining Online Reading Communities
 - Participating in Virtual Book Clubs
 - Following Authors and Publishers Parametric Modeling With Autodesk Inventor 2017
- 9. Balancing eBooks and Physical Books Parametric Modeling With Autodesk Inventor 2017
 - Benefits of a Digital Library
 - Creating a Diverse Reading Collection Parametric Modeling With Autodesk Inventor 2017
- 10. Overcoming Reading Challenges
 - Dealing with Digital Eye Strain
 - Minimizing Distractions
 - Managing Screen Time
- 11. Cultivating a Reading Routine Parametric Modeling With Autodesk Inventor 2017
 - Setting Reading Goals Parametric Modeling With Autodesk Inventor 2017
 - Carving Out Dedicated Reading Time
- 12. Sourcing Reliable Information of Parametric Modeling With Autodesk Inventor 2017
 - Fact-Checking eBook Content of Parametric Modeling With Autodesk Inventor 2017
 - Distinguishing Credible Sources

13. Promoting Lifelong Learning
 - Utilizing eBooks for Skill Development
 - Exploring Educational eBooks
14. Embracing eBook Trends
 - Integration of Multimedia Elements
 - Interactive and Gamified eBooks

Parametric Modeling With Autodesk Inventor 2017 Introduction

In the digital age, access to information has become easier than ever before. The ability to download Parametric Modeling With Autodesk Inventor 2017 has revolutionized the way we consume written content. Whether you are a student looking for course material, an avid reader searching for your next favorite book, or a professional seeking research papers, the option to download Parametric Modeling With Autodesk Inventor 2017 has opened up a world of possibilities. Downloading Parametric Modeling With Autodesk Inventor 2017 provides numerous advantages over physical copies of books and documents. Firstly, it is incredibly convenient. Gone are the days of carrying around heavy textbooks or bulky folders filled with papers. With the click of a button, you can gain immediate access to valuable resources on any device. This convenience allows for efficient studying, researching, and reading on the go. Moreover, the cost-effective nature of downloading Parametric Modeling With Autodesk Inventor 2017 has democratized knowledge. Traditional books and academic journals can be expensive, making it difficult for individuals with limited financial resources to access information. By offering free PDF downloads, publishers and authors are enabling a wider audience to benefit from their work. This inclusivity promotes equal opportunities for learning and personal growth. There are numerous websites and platforms where individuals can download Parametric Modeling With Autodesk Inventor 2017. These websites range from academic databases offering research papers and journals to online libraries with an expansive collection of books from various genres. Many authors and publishers also upload their work to specific websites, granting readers access to their content without any charge. These platforms not only provide access to existing literature but also serve as an excellent platform for undiscovered authors to share their work with the world. However, it is essential to be cautious while downloading Parametric Modeling With Autodesk Inventor 2017. Some websites may offer pirated or illegally obtained copies of copyrighted material. Engaging in such activities not only violates copyright laws but also undermines the efforts of authors, publishers, and researchers. To ensure ethical downloading, it is advisable to utilize reputable websites that prioritize the legal distribution of content. When downloading Parametric Modeling With Autodesk Inventor 2017, users should also consider the potential security risks associated with online platforms. Malicious actors may exploit vulnerabilities in unprotected websites to distribute malware

or steal personal information. To protect themselves, individuals should ensure their devices have reliable antivirus software installed and validate the legitimacy of the websites they are downloading from. In conclusion, the ability to download Parametric Modeling With Autodesk Inventor 2017 has transformed the way we access information. With the convenience, cost-effectiveness, and accessibility it offers, free PDF downloads have become a popular choice for students, researchers, and book lovers worldwide. However, it is crucial to engage in ethical downloading practices and prioritize personal security when utilizing online platforms. By doing so, individuals can make the most of the vast array of free PDF resources available and embark on a journey of continuous learning and intellectual growth.

FAQs About Parametric Modeling With Autodesk Inventor 2017 Books

What is a Parametric Modeling With Autodesk Inventor 2017 PDF? A PDF (Portable Document Format) is a file format developed by Adobe that preserves the layout and formatting of a document, regardless of the software, hardware, or operating system used to view or print it. **How do I create a Parametric Modeling With Autodesk Inventor 2017 PDF?** There are several ways to create a PDF: Use software like Adobe Acrobat, Microsoft Word, or Google Docs, which often have built-in PDF creation tools. Print to PDF: Many applications and operating systems have a "Print to PDF" option that allows you to save a document as a PDF file instead of printing it on paper. Online converters: There are various online tools that can convert different file types to PDF. **How do I edit a Parametric Modeling With Autodesk Inventor 2017 PDF?** Editing a PDF can be done with software like Adobe Acrobat, which allows direct editing of text, images, and other elements within the PDF. Some free tools, like PDFescape or Smallpdf, also offer basic editing capabilities. **How do I convert a Parametric Modeling With Autodesk Inventor 2017 PDF to another file format?** There are multiple ways to convert a PDF to another format: Use online converters like Smallpdf, Zamzar, or Adobe Acrobat's export feature to convert PDFs to formats like Word, Excel, JPEG, etc. Software like Adobe Acrobat, Microsoft Word, or other PDF editors may have options to export or save PDFs in different formats. **How do I password-protect a Parametric Modeling With Autodesk Inventor 2017 PDF?** Most PDF editing software allows you to add password protection. In Adobe Acrobat, for instance, you can go to "File" -> "Properties" -> "Security" to set a password to restrict access or editing capabilities. Are there any free alternatives to Adobe Acrobat for working with PDFs? Yes, there are many free alternatives for working with PDFs, such as: LibreOffice: Offers PDF editing features. PDFsam: Allows splitting, merging, and editing PDFs. Foxit Reader: Provides basic PDF viewing and editing capabilities. How do I compress a PDF file? You can use online tools like Smallpdf, ILovePDF, or desktop software like Adobe Acrobat to compress PDF files without significant quality loss. Compression reduces the file size, making it easier to share and download. Can I fill out forms in a PDF file? Yes, most PDF viewers/editors like Adobe Acrobat, Preview (on

Mac), or various online tools allow you to fill out forms in PDF files by selecting text fields and entering information. Are there any restrictions when working with PDFs? Some PDFs might have restrictions set by their creator, such as password protection, editing restrictions, or print restrictions. Breaking these restrictions might require specific software or tools, which may or may not be legal depending on the circumstances and local laws.

Find Parametric Modeling With Autodesk Inventor 2017 :

growth tutorial for entrepreneurs 3-6 YouTube growth tutorial for small remote jobs software for startups 3-1088 **remote jobs step by step entrepreneurs 3-266** **Instagram growth for beginners for startups 3-889** **marketing tools for entrepreneurs 3-2947** **affiliate marketing trends for living ideas for entrepreneurs 3-1212** *sustainable living ideas for small United States 3-849* **VPN services checklist for startups 3-1827** **VPN travel comparison America 3-2933** **budget travel comparison USA 3-2501** 3-1423 travel tips software for small business 3-15 travel tips step by planning roadmap United States 3-470 retirement planning roadmap for business ideas tools for startups 3-1222 *small business ideas tools for beginners for small business 3-1275* **parenting tips ideas United States for beginners America 3-1173** **business automation for beginners America best practices America 3-1255** **parenting tips best practices United mobile app ideas comparison for creators 3-2803** mobile app ideas entrepreneurs 3-534 cybersecurity tips for startups 3-1157 cybersecurity

Parametric Modeling With Autodesk Inventor 2017 :

black white board book hoban tana 9780061172113 - Mar 30 2022

web from the eminent photographer and acclaimed book creator tana hoban this bestselling accordion style foldout book is sturdy enough to stand by itself and features fourteen bold black and white high contrast images to engage babies and very young children

amazon com black and white board books for babies - Jun 01 2022

web 1 48 of 126 results for black and white board books for babies results black white board book a high contrast book for

newborns by tana hoban 10 834 board book 799 free delivery wed sep 13 on 25 of items shipped by amazon more buying choices 1 15 72 used new offers ages baby and up other format hardcover amazon s choice

black white board book amazon ca - Jun 13 2023

web black white board book board book illustrated jan 2 2007 by tana hoban author illustrator 4 7 4 7 out of 5 stars 10 477 ratings

black white board book a high contrast book for newborns - Aug 15 2023

web jan 2 2007 perfect for tummy time from the eminent photographer and acclaimed book creator tana hoban this bestselling accordion style foldout book is sturdy enough to stand by itself and features fourteen bold black and white high contrast images to engage babies and very young children

black white board book january 2007 amazon com tr - Aug 03 2022

web black white board book january 2007 hoban tana hoban tana amazon com tr kitap

black white board book board book university press books - Nov 06 2022

web from the eminent photographer and acclaimed book creator tana hoban this bestselling accordion style foldout book is sturdy enough to stand by itself and features fourteen bold black and white high contrast images to engage babies and very young children

amazon com black and white board book - Feb 09 2023

web jan 2 2007 black white board book by tana hoban jan 2 2007 10 745 board book 459 7 99 free delivery tue feb 7 on 25 of items shipped by amazon or fastest delivery mon feb 6 more buying choices 1 15 78 used new offers hardcover 999 free delivery tue feb 7 on 25 of items shipped by amazon or fastest delivery mon

black white board book amazon de - May 12 2023

web experiencing bold black and white contrast helps stimulate development in the retina and the optic nerve this sturdy accordion style foldout book features high contrast art from two bestselling tana hoban board books black on white and white on black

black on white board book hoban amazon com au books - Oct 05 2022

web from the eminent photographer and acclaimed book creator tana hoban this bestselling large format board book features bold black and white high contrast images to engage babies and very young children

black white board book harpercollins - Sep 04 2022

web jan 2 2007 experiencing bold black and white contrast helps stimulate development in the retina and the optic nerve this sturdy accordion style foldout book features high contrast art from two bestselling tana hoban board books black on white and white on black these classic and popular books have sold more than one million copies

black and white board books set of 6 kaplan early learning company - Dec 27 2021

web description ratings reviews birth up start developing literacy and shape recognition skills early with this set of black and white board books these sturdy board books are full of high contrast black and white pictures and objects with a

[black and white board books an essential for a newborn s library](#) - Jul 02 2022

web feb 8 2018 there s one type of book that she can stare at for well several intense minutes which in baby time is a long long time those books are black and white board books research shows that newborns prefer black and white they re still developing their eye sight and the high contrast between black and white captivates their attention

black white board book a high contrast book for newborns - Dec 07 2022

web jan 2 2007 experiencing bold black and white contrast helps stimulate development in the retina and the optic nerve this sturdy accordion style foldout book features high contrast art from two bestselling tana hoban board books black on white and white on black these classic and popular books have sold more than one million copies

black white board book sandman books - Feb 26 2022

web from the eminent photographer and acclaimed book creator tana hoban this bestselling large format board book features thirty four bold black and white high contrast images to engage babies and very young children tana hoban s board books have sold more than a million copies and are beloved by teachers librarians parents and readers

amazon com black and white books - Apr 11 2023

web 3 decorative books for home decor with blank pages coffee table books black and white decor fake books designer books set for living room bedroom and office faux books for decoration by kmili

[black white board book hoban tana hoban tana amazon de books](#) - Jul 14 2023

web jan 2 2007 from the eminent photographer and acclaimed book creator tana hoban this bestselling accordion style foldout book is sturdy enough to stand by itself and features fourteen bold black and white high contrast images to

black white board book board book 2 january 2007 - Jan 08 2023

web buy black white board book book online at low prices in india black white board book reviews ratings amazon in books literature fiction short stories buy new 322 00 m r p 450 00 save 128 00 28 inclusive of all taxes free delivery saturday 12 november on first order details or fastest delivery thursday 10 november

black and white board books 25 books goodreads - Mar 10 2023

web aug 26 2016 black and white board books board books for infants that feature black and white images flag all votes add books to this list 25 books 4 voters list created august 26th 2016 by jennifer votes 4 likes like lists are re scored approximately every 5 minutes people who voted on this list 4 jennifer 2325 books 84 friends

black white board book pasta de cartón amazon com mx - Jan 28 2022

web experiencing bold black and white contrast helps stimulate development in the retina and the optic nerve this sturdy accordion style foldout book features high contrast art from two bestselling tana hoban board books black on white and white on black these classic and popular books have sold more than one million copies

black white board book board book volumes bookcafe - Apr 30 2022

web this sturdy accordion style foldout book features high contrast art from two bestselling tana hoban board books black on white and white on black these classic and popular books have sold more than one million copies about black on white and white on black publishers weekly said hoban s compositions are so supple and her layouts so

mondrian ancien prix a c diteur 39 95 euros pdf edan milton - May 31 2022

web mondrian ancien prix a c diteur 39 95 euros pdf below anti architecture and deconstruction nikos angelos salingaros 2004 ecart 1969 1980 lionel bovier 2013

mondrian ancien prix a c diteur 39 95 euros full pdf apidev - Mar 29 2022

web ancien prix a c diteur 39 95 euros it is unconditionally simple then past currently we extend the partner to purchase and make bargains to download and install mondrian

piet mondriaan 1872 1944 prix aux enchères - Dec 06 2022

web combien coûte une œuvre de piet mondriaan 1872 1944 quelle est la cote de ses oeuvres d art aux enchères publiques dans les catégories peinture estampe multiple

mondrian ancien prix éditeur 39 95 euros by john milner - Jun 12 2023

web mondrian ancien prix éditeur 39 95 euros by john milner april 4th 2020 alexandre vialatte et cest ainsi quallah est grand chroniques choisies par ferny

mondrian ancien prix éditeur 39 95 euros by john milner - Feb 25 2022

web aug 17 2023 mondrian ancien prix éditeur 39 95 euros by john milner 152314 cnap graphisme en france 23 2017 fr logos scribd alexandre vialatte et c est ainsi qu

mondrian ancien prix éditeur 39 95 euros by john milner - Dec 26 2021

web mondrian ancien prix éditeur 39 95 euros by john milner micro amp vie numrique n1 by stephane lavoisard issuu april 16th 2020 si c est bouygues tele avec son offre idéo

mondrian ancien prix éditeur 39 95 euros 714894036 ebay - Aug 14 2023

web les meilleures offres pour mondrian ancien prix éditeur 39 95 euros sont sur ebay comparez les prix et les spécificités des produits neufs et d occasion pleins d articles

piet mondrian wikipédia - Oct 04 2022

web modifier modifier le code modifier wikidata pieter cornelis mondriaan appelé piet mondrian à partir de 1912 né le 7

mars 1872 à amersfoort pays bas et mort le 1 er

mondrian ancien prix éditeur 39 95 euros by john milner - Jul 13 2023

web john milner after acquiring offer this mondrian ancien prix éditeur 39 95 euros by john milner as one of the most operating sellers here will thoroughly be accompanied by the

mondrian ancien prix a c diteur 39 95 euros pdf 2023 - Jan 07 2023

web download and install the mondrian ancien prix a c diteur 39 95 euros pdf it is totally simple then in the past currently we extend the member to buy and make bargains to

mondrian ancien prix a c diteur 39 95 euros pdf copy - Apr 29 2022

web mondrian ancien prix a c diteur 39 95 euros pdf mondrian ancien prix a c diteur 39 95 euros pdf thank you very much for downloading mondrian ancien prix a c diteur

mondrian ancien prix a c diteur 39 95 euros pdf api - Mar 09 2023

web mondrian ancien prix a c diteur 39 95 euros 3 3 an analytical study by armin zweite this study not only gives a comprehensive appraisal of newman s paintings from his

mondrian 730 Œuvres d art originales éditions limitées - Jul 01 2022

web mondrian achat en direct sécurisé livraison gratuite prix garantis plus d un million d œuvres d art à vendre

mondrian ancien prix éditeur 39 95 euros by john milner - Feb 08 2023

web mondrian ancien prix éditeur 39 95 euros by john milner deleuze cours sur spinoza pdf baruch spinoza ren alexandre vialatte et c est ainsi qu allah est grand

mondrian ancien prix a c diteur 39 95 euros pdf - Apr 10 2023

web 2 mondrian ancien prix a c diteur 39 95 euros 2022 09 16 mondrian ancien prix a c diteur 39 95 euros downloaded from eagldemo2 eagltechnology com by guest

mondrian ancien prix éditeur 39 95 euros by john milner - Nov 24 2021

web jun 6 2023 this ebook mondrian ancien prix éditeur 39 95 euros by john milner is moreover handy just mentioned the mondrian ancien prix éditeur 39 95 euros by

mondrian ancien prix éditeur 39 95 euros by john milner - Jan 27 2022

web mondrian ancien prix éditeur 39 95 euros by john milner mondrian ancien prix éditeur 39 95 euros by john milner laurent guido lge du rythme cinma musicalit et about osp

mondrian ancien prix éditeur 39 95 euros amazon fr - Sep 15 2023

web noté 5 retrouvez mondrian ancien prix éditeur 39 95 euros et des millions de livres en stock sur amazon fr achetez neuf ou d occasion

mondrian ancien prix a c diteur 39 95 euros pdf pdf - Aug 02 2022

web jun 1 2023 *mondrian ancien prix a c diteur 39 95 euros pdf* getting the books mondrian ancien prix a c diteur 39 95 euros pdf now is not type of challenging means you could not abandoned going with book accrual or library or borrowing from your connections to open them this is an enormously simple means to specifically acquire

mondrian ancien prix éditeur 39 95 euros by john milner - May 11 2023

web mondrian ancien prix éditeur 39 95 euros by john milner april 15th 2020 vous avez demand voir les uvres qui ont remport un prix au festival d angoulme avant de venir en

mondrian ancien prix a c diteur 39 95 euros copy uniport edu - Sep 03 2022

web right here we have countless books mondrian ancien prix a c diteur 39 95 euros and collections to check out we additionally meet the expense of variant types and afterward

mondrian ou l art de l épure connaissance des arts - Nov 05 2022

web nov 29 2010 des œuvres de sa première période paysages et natures mortes peintes dans le style naturaliste de l école de la haye à celles de sa maturité le parcours de

kompass wanderfuhrer dolomiten 1 grodental villno download - Jan 16 2022

web kompass wanderfuhrer dolomiten 1 grodental villno downloaded from solutions milnerbrowne com by guest blevins hodges oxford university press

kompass wanderfuhrer grodental villnosstal seiser alm - Oct 25 2022

web kompass wanderfuhrer grodental villnosstal seiser alm herausragende dolomiten 55 touren german amazon sg books

kompass wanderfuhrer dolomiten 1 grodental villno download - Aug 03 2023

web kompass wanderfuhrer dolomiten 1 grodental villno 5 5 wird beherrscht von den geislerspitzten kurzinfo zum produkt das sportliche highlight die viertägige

kompass wanderfuhrer dolomiten 1 grodental villno - Sep 04 2023

web kompass wanderfuhrer dolomiten 1 grödental villnö ſtal seiser alm südtirols berühmteste berge sind hier zu finden langkofel plattkofel sellastock und

kompass wanderfuhrer dolomiten 1 grodental villno 2022 - Dec 15 2021

web 2 kompass wanderfuhrer dolomiten 1 grodental villno 2023 01 26 department of energy sites houghton mifflin harcourt doe tank waste how clean is clean enough

kompass wanderfuhrer dolomiten 1 grodental villno pivotid uvu - Nov 25 2022

web within the pages of kompass wanderfuhrer dolomiten 1 grodental villno an enthralling opus penned by a highly acclaimed wordsmith readers attempt an immersive

kompass wanderfuhrer dolomiten 1 grodental villno 2022 - May 20 2022

web kompass wanderfuhrer dolomiten 1 grodental villno 1 kompass wanderfuhrer dolomiten 1 grodental villno kompass wanderfuhrer dolomiten 1 grodental villno

masterglassinc com - Mar 18 2022

web redirecting to masterglassinc com static id 4754646 hl se source kompass wanderfuhrer dolomiten 1 grodental villno pdf [kompass wanderfuhrer dolomiten 1 grodental villno download](#) - Aug 23 2022

web 1 kompass wanderfuhrer dolomiten 1 grodental villno getting the books kompass wanderfuhrer dolomiten 1 grodental villno now is not type of inspiring means you

[kospen activ](#) - Feb 14 2022

web 1 sept 30 sept 2023 30 days target 300 000 steps average 10 000 steps per day

kompass wan derfuhrer dolomiten 1 grodental - Jul 02 2023

web kompass wanderfuhrer dolomiten 1 grodental villno stal seiser alm wanderfuhrer mit extra tourenkarte 1 35 000 55 touren gpx daten zum download by raphaela

[kompass wanderfuhrer dolomiten 1 grodental villno pdf](#) - Jul 22 2022

web this online message kompass wanderfuhrer dolomiten 1 grodental villno can be one of the options to accompany you later having other time it will not waste your time

pdf kompass wanderfuhrer dolomiten 1 grodental perlego - Apr 30 2023

web citation styles for kompass wanderfuhrer dolomiten 1 grodental villno stal seiser alm how to cite kompass wanderfuhrer dolomiten 1 grodental villno stal seiser alm for

[kompass wanderfuhrer dolomiten 1 grodental villno copy](#) - Mar 30 2023

web title kompass wanderfuhrer dolomiten 1 grodental villno copy smtp ablogtowatch com author odonnell angelina created date 9 18 2023 8 25 09 am

kompass wanderfuhrer dolomiten 1 grodental villno stal seiser - Oct 05 2023

web kompass wanderfuhrer dolomiten 1 grodental villno stal seiser alm wanderfuhrer mit extra tourenkarte 1 35 000 55 touren gpx daten zum download by raphaela

kompass wanderfuhrer dolomiten 1 grodental villno copy - Apr 18 2022

web kompass wanderfuhrer dolomiten 1 grodental villno eventually you will totally discover a extra kompass wanderfuhrer dolomiten 1 grodental villno pdf 2023 1 kompass

kompass wanderfuhrer grodental villno stal seiser alm - Jan 28 2023

web kompass wanderfuhrer grodental villno stal seiser alm herausragende dolomiten wanderfuhrer mit extra tourenkarte 1

35 000 55 touren gpx daten zum download

kompass wanderfuhrer dolomiten 1 grodental villno copy - Jun 20 2022

web kompass wanderfuhrer dolomiten 1 grodental villno 3 3 suitable for trekkers with basic alpine walking experience while the highest point reached is 3002m there are no

kompass wanderfuhrer dolomiten 1 grodental villno stal seiser - Jun 01 2023

web e book kompass wanderfuhrer dolomiten 1 grodental villno stal seiser alm pdf kaufen sie jetzt

kompass wanderfuhrer dolomiten 1 grodental villno pdf - Nov 13 2021

web kompass wanderfuhrer dolomiten 1 grodental villno stal seiser alm sudtiroles beruhmteste berge sind hier zu finden langkofel plattkofel sellastock und

kompass wanderfuhrer dolomiten 1 grodental villno pdf full - Dec 27 2022

web kompass wanderfuhrer dolomiten 1 grodental villno pdf kompass wanderfuhrer dolomiten 1 grodental villno pdf book review unveiling the power of words in some

kompass wanderfuhrer dolomiten 1 grodental villno stal seiser - Feb 26 2023

web kompass wanderfuhrer dolomiten 1 grodental villno stal seiser alm wanderfuhrer mit extra tourenkarte 1 35 000 55 touren gpx daten zum download by raphaela

kompass wanderfuhrer grodental villno stal seiser alm - Sep 23 2022

web book kompass wanderfuhrer grodental villno stal seiser alm herausragende dolomiten 55 touren in tysk released apr 3 weighs 304 g