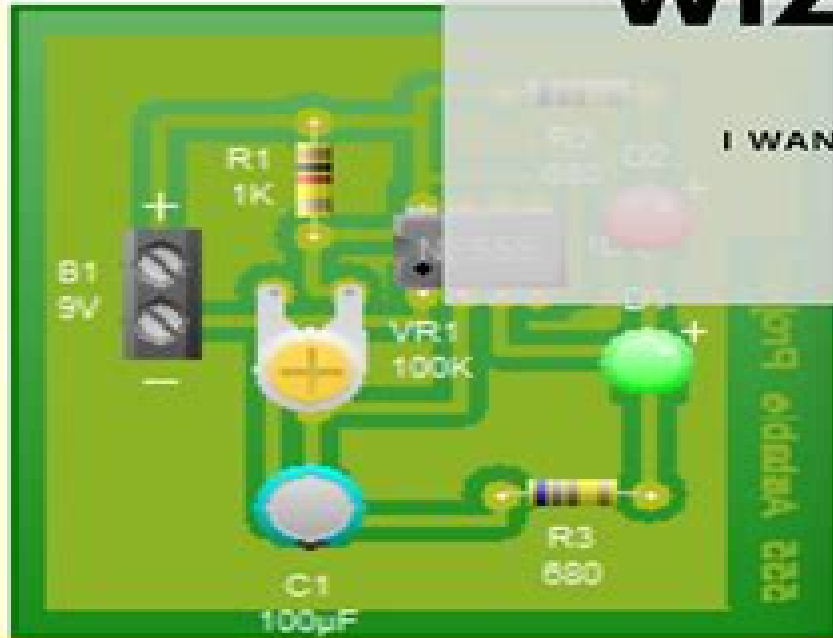
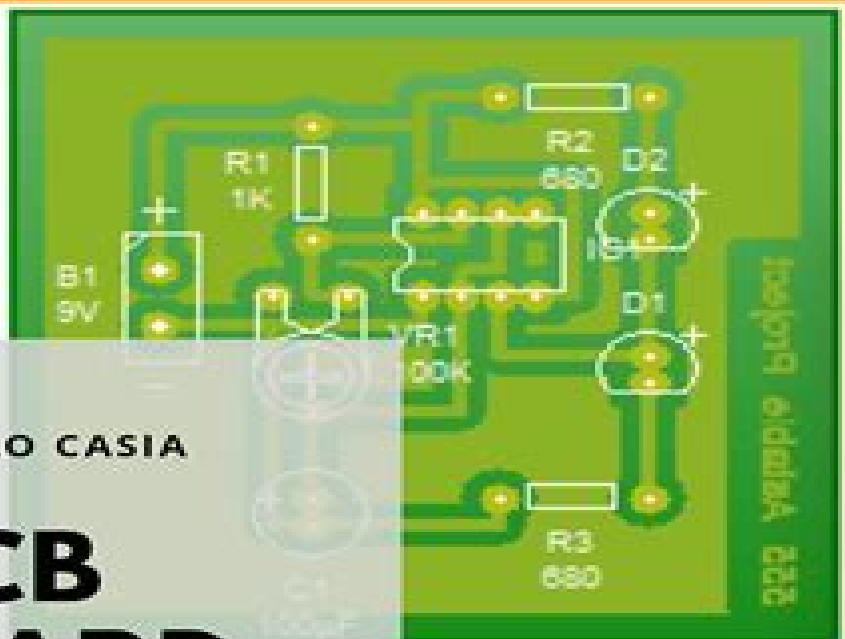
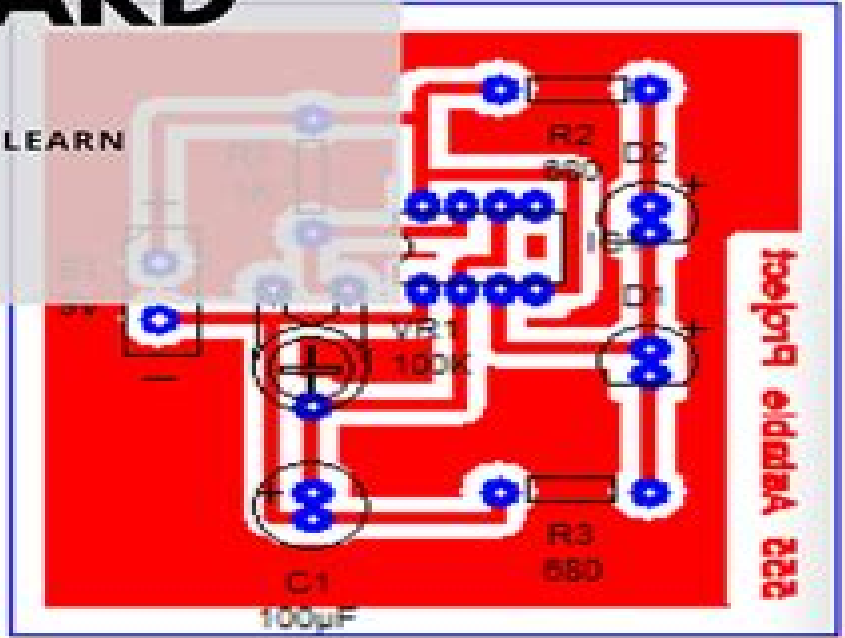


BY DANILLO CASIA

PCB WIZARD



I WANT LEARN



Pcb Wizard Tutorial 1

S Ashworth



Pcb Wizard Tutorial 1:

Complete PCB Design Using OrCad Capture and Layout Kraig Mitzner, 2011-04-01 Complete PCB Design Using OrCad Capture and Layout provides instruction on how to use the OrCAD design suite to design and manufacture printed circuit boards The book is written for both students and practicing engineers who need a quick tutorial on how to use the software and who need in depth knowledge of the capabilities and limitations of the software package There are two goals the book aims to reach The primary goal is to show the reader how to design a PCB using OrCAD Capture and OrCAD Layout Capture is used to build the schematic diagram of the circuit and Layout is used to design the circuit board so that it can be manufactured The secondary goal is to show the reader how to add PSpice simulation capabilities to the design and how to develop custom schematic parts footprints and PSpice models Often times separate designs are produced for documentation simulation and board fabrication This book shows how to perform all three functions from the same schematic design This approach saves time and money and ensures continuity between the design and the manufactured product Information is presented in the exact order a circuit and PCB are designed Straightforward realistic examples present the how and why the designs work providing a comprehensive toolset for understanding the OrCAD software Introduction to the IPC JEDEC and IEEE standards relating to PCB design Full color interior and extensive illustrations allow readers to learn features of the product in the most realistic manner possible Complete PCB Design Using OrCAD Capture and PCB Editor Kraig

Mitzner, 2009-05-28 This book provides instruction on how to use the OrCAD design suite to design and manufacture printed circuit boards The primary goal is to show the reader how to design a PCB using OrCAD Capture and OrCAD Editor Capture is used to build the schematic diagram of the circuit and Editor is used to design the circuit board so that it can be manufactured The book is written for both students and practicing engineers who need in depth instruction on how to use the software and who need background knowledge of the PCB design process Beginning to end coverage of the printed circuit board design process Information is presented in the exact order a circuit and PCB are designed Over 400 full color illustrations including extensive use of screen shots from the software allow readers to learn features of the product in the most realistic manner possible Straightforward realistic examples present the how and why the designs work providing a comprehensive toolset for understanding the OrCAD software Introduces and follows IEEE IPC and JEDEC industry standards for PCB design Unique chapter on Design for Manufacture covers padstack and footprint design and component placement for the design of manufacturable PCB s FREE CD containing the OrCAD demo version and design files

Thermal Analysis with SolidWorks Simulation 2014 Paul Kurowski, 2014 Thermal Analysis with SolidWorks Simulation 2014 goes beyond the standard software manual It concurrently introduces the reader to thermal analysis and its implementation in SolidWorks Simulation using hands on exercises A number of projects are presented to illustrate thermal analysis and related topics Each chapter is designed to build on the skills and understanding gained from previous exercises

Thermal Analysis with SolidWorks Simulation 2014 is designed for users who are already familiar with the basics of Finite Element Analysis FEA using SolidWorks Simulation or who have completed the book Engineering Analysis with SolidWorks Simulation 2014 Thermal Analysis with SolidWorks Simulation 2014 builds on these topics in the area of thermal analysis Some understanding of FEA and SolidWorks Simulation is assumed **Desarrollo y Construcción de Prototipos**

Electrónicos Ángel Bueno Martín, Ana I. de Soto Gorroño, 2005-09-15 Este manual es una guía que proporciona instrucciones completas y detalladas para el uso de los programas OrCAD Capture Layout plus y LPKF CircuitCAM BoardMaster de diseño y construcción de prototipos electrónicos respectivamente Pretendemos familiarizar al lector con el entorno de trabajo CAD CAM electrónico a través del software propuesto Junto a las indicaciones que ayudan a adquirir la destreza en el manejo de las herramientas informáticas orientadas al diseño electrónico en este libro se dan una serie de consejos y observaciones de interés que facilitan el trabajo y aclaran las dudas que con frecuencia le surgen al principiante haciendo hincapié en la correcta obtención y presentación de resultados informes planos fotolitos etc Respecto a la metodología cabe destacar su carácter de tutorial es decir se propone un ejemplo que servirá de hilo conductor para ir completando las fases que conforman la base de datos del diseño Cada tema está desarrollado gradualmente explicando los comandos e instrucciones allí donde aparecen por vez primera Se acompañan numerosas ventanas pantallas aclaratorias aportaciones prácticas y explicaciones adicionales en aras de facilitar la comprensión de lo expuesto Se trata en definitiva de un método que ayuda en la realización de un trabajo organizado y eficaz que facilita la labor del profesor y el aprendizaje del alumno MATERIALES ADICIONALES EN APARTADO DE DESCARGAS DEL WEB MARCOMBO.COM *PC Mag*, 1993-06-29 PCMag.com is a leading authority on technology delivering Labs based independent reviews of the latest products and services Our expert industry analysis and practical solutions help you make better buying decisions and get more from technology

Byte, 1984 *Microtimes*, 1993-04 **Macworld**, 1989 **Sound & Vibration**, 2000 [PC/Computing](#), 1993-07

SolidWorks práctico II - 2.a edición Sergio Gómez González, 2024-06-19 Si es un estudiante o un diseñador novel que desea adentrarse en el diseño y validación de productos mecánicos con SolidWorks con el objetivo de crear máquinas mecanismos productos o modelos para impresión 3D ha llegado al libro indicado SolidWorks práctico II es una compilación de prácticas guiadas y ejercicios de examen diseñados por el autor para sus clases universitarias en la Universidad Politécnica de Cataluña EEBE UPC Estas prácticas abarcan una amplia gama de complementos como Routing Motion Simulation FlowSimulation Photoview SolidCAM DMFXpress entre otros El contenido del libro se caracteriza por su enfoque visual y práctico lo que facilita la lectura con abundantes ilustraciones que detallan las etapas necesarias para utilizar los complementos de SolidWorks en el diseño y validación de productos más eficientes seguros y económicos Además en el libro encontrar el código de acceso que le permitirá descargar de forma gratuita los contenidos adicionales desde www.marcombo.info que incluyen los modelos descritos a lo largo de la obra Esta segunda edición también cuenta con el acceso gratuito al Curso de

SolidWorks Simulation Flow Simulation y otros complementos Dicho curso est valorado en 35 y se compone de 54 videos con una duraci n total de 8 horas para que profundice en el entorno las aplicaciones y las funcionalidades de Solidworks el dise o de chapa met lica el dise o de moldes para inyecci n de pl sticos las simulaciones de inyecci n de pl sticos SolidWorks Plastics el dise o de estructura met lica y soldadura biblioteca de dise o y Toolbox PhotoViewer 360 imagen sint tica FeatureWorks SolidWorks Costing sostenibilidad FDMXpress entre otros Al finalizar el curso podr realizar un proyecto para conseguir la certificaci n de realizaci n del curso H gase con este libro y saque provecho de SolidWorks el software CAD CAM CAE que le permitir adem s de modelar piezas ensamblar conjuntos y crear planos validar sus dise os para realizar productos m s seguros y eficientes **PC Magazine** ,1993-06 *Applied Science & Technology Index* ,1997 **InfoWorld** ,1986

PCB Design & Layout For DIY Etching A B Lawal,2021-03-14 In this tutorial you will learn step by step how to use Ultiboard to route and make a single layer Printed Circuit Board layout that you can print out on paper Finally you will learn with demo videos a very inexpensive DIY method for transferring your layout to a Copper Clad board that you can etch and solder manually No heat transfer is involved After reading and completing the simple demo projects in this book you will learn many features of Ultiboard very fast and very effectively without getting overwhelmed You will not need to export any files or send gerbers to a PCB manufacturer fabricator We will be using the National Instruments Ultiboard and Multism PCB Design suite which I found to be the best among several others I have used Any of the versions 12 13 and 14 of this suite works perfectly well There is a link in this book for you to download a hassle free trial version of the suite that you can use for many days to learn and practice many projects of your own Merely having the Ultiboard user manual or referring to its help contents is far from sufficient in becoming a skillful PCB designer Therefore this book is extremely useful for building PCB design skills very fast First it will give you a big head start if you have never designed a PCB layout before Then it will teach you more advanced techniques you need to learn design and build anything from simple to complex PCB layouts using mostly Ultiboard Finally if you have questions or need further help I urge you to use the support link I provided in the last Chapter of this book I will get back to you very quickly *Complete PCB Design Using OrCAD Capture and PCB Editor* Kraig Mitzner,Bob Doe,Alexander Akulin,Anton Suponin,Dirk Müller,2019-06-20 Complete PCB Design Using OrCAD Capture and PCB Editor Second Edition provides practical instruction on how to use the OrCAD design suite to design and manufacture printed circuit boards Chapters cover how to Design a PCB using OrCAD Capture and OrCAD PCB Editor adding PSpice simulation capabilities to a design how to develop custom schematic parts how to create footprints and PSpice models and how to perform documentation simulation and board fabrication from the same schematic design This book is suitable for both beginners and experienced designers providing basic principles and the program s full capabilities for optimizing designs Companion sitehttps www elsevier com books and journals book companion 9780128176849 Presents a fully updated edition on OrCAD Capture Version 17 2 Combines the theoretical and practical parts of PCB design Includes

real life design examples that show how and why designs work providing a comprehensive toolset for understanding OrCAD software Provides the exact order in which a circuit and PCB are designed Introduces the IPC JEDEC and IEEE standards relating to PCB design **Printed Circuit Boards** R. S. Khandpur,2005-09-07 The printed circuit is the basic building block of the electronics hardware industry This is a comprehensive single volume self teaching guide to the art of printed circuit board design and fabrication covering the complete cycle of PCB creation design layout fabrication assembly and testing

This is likewise one of the factors by obtaining the soft documents of this **Pcb Wizard Tutorial 1** by online. You might not require more become old to spend to go to the books start as skillfully as search for them. In some cases, you likewise realize not discover the publication Pcb Wizard Tutorial 1 that you are looking for. It will certainly squander the time.

However below, once you visit this web page, it will be suitably no question simple to get as competently as download lead Pcb Wizard Tutorial 1

It will not tolerate many grow old as we tell before. You can accomplish it even if do its stuff something else at home and even in your workplace. for that reason easy! So, are you question? Just exercise just what we come up with the money for under as capably as evaluation **Pcb Wizard Tutorial 1** what you following to read!

https://py.bijouxmedusa.com/book/browse/index.jsp/the_case_of_italy_community_of_sant_egidio.pdf

Table of Contents Pcb Wizard Tutorial 1

1. Understanding the eBook Pcb Wizard Tutorial 1
 - The Rise of Digital Reading Pcb Wizard Tutorial 1
 - Advantages of eBooks Over Traditional Books
2. Identifying Pcb Wizard Tutorial 1
 - Exploring Different Genres
 - Considering Fiction vs. Non-Fiction
 - Determining Your Reading Goals
3. Choosing the Right eBook Platform
 - Popular eBook Platforms
 - Features to Look for in an Pcb Wizard Tutorial 1
 - User-Friendly Interface
4. Exploring eBook Recommendations from Pcb Wizard Tutorial 1
 - Personalized Recommendations

-
- Pcb Wizard Tutorial 1 User Reviews and Ratings
 - Pcb Wizard Tutorial 1 and Bestseller Lists
5. Accessing Pcb Wizard Tutorial 1 Free and Paid eBooks
 - Pcb Wizard Tutorial 1 Public Domain eBooks
 - Pcb Wizard Tutorial 1 eBook Subscription Services
 - Pcb Wizard Tutorial 1 Budget-Friendly Options
 6. Navigating Pcb Wizard Tutorial 1 eBook Formats
 - ePub, PDF, MOBI, and More
 - Pcb Wizard Tutorial 1 Compatibility with Devices
 - Pcb Wizard Tutorial 1 Enhanced eBook Features
 7. Enhancing Your Reading Experience
 - Adjustable Fonts and Text Sizes of Pcb Wizard Tutorial 1
 - Highlighting and Note-Taking Pcb Wizard Tutorial 1
 - Interactive Elements Pcb Wizard Tutorial 1
 8. Staying Engaged with Pcb Wizard Tutorial 1
 - Joining Online Reading Communities
 - Participating in Virtual Book Clubs
 - Following Authors and Publishers Pcb Wizard Tutorial 1
 9. Balancing eBooks and Physical Books Pcb Wizard Tutorial 1
 - Benefits of a Digital Library
 - Creating a Diverse Reading Collection Pcb Wizard Tutorial 1
 10. Overcoming Reading Challenges
 - Dealing with Digital Eye Strain
 - Minimizing Distractions
 - Managing Screen Time
 11. Cultivating a Reading Routine Pcb Wizard Tutorial 1
 - Setting Reading Goals Pcb Wizard Tutorial 1
 - Carving Out Dedicated Reading Time
 12. Sourcing Reliable Information of Pcb Wizard Tutorial 1
 - Fact-Checking eBook Content of Pcb Wizard Tutorial 1

-
- Distinguishing Credible Sources
13. Promoting Lifelong Learning
 - Utilizing eBooks for Skill Development
 - Exploring Educational eBooks
 14. Embracing eBook Trends
 - Integration of Multimedia Elements
 - Interactive and Gamified eBooks

Pcb Wizard Tutorial 1 Introduction

In today's digital age, the availability of Pcb Wizard Tutorial 1 books and manuals for download has revolutionized the way we access information. Gone are the days of physically flipping through pages and carrying heavy textbooks or manuals. With just a few clicks, we can now access a wealth of knowledge from the comfort of our own homes or on the go. This article will explore the advantages of Pcb Wizard Tutorial 1 books and manuals for download, along with some popular platforms that offer these resources. One of the significant advantages of Pcb Wizard Tutorial 1 books and manuals for download is the cost-saving aspect. Traditional books and manuals can be costly, especially if you need to purchase several of them for educational or professional purposes. By accessing Pcb Wizard Tutorial 1 versions, you eliminate the need to spend money on physical copies. This not only saves you money but also reduces the environmental impact associated with book production and transportation. Furthermore, Pcb Wizard Tutorial 1 books and manuals for download are incredibly convenient. With just a computer or smartphone and an internet connection, you can access a vast library of resources on any subject imaginable. Whether you're a student looking for textbooks, a professional seeking industry-specific manuals, or someone interested in self-improvement, these digital resources provide an efficient and accessible means of acquiring knowledge. Moreover, PDF books and manuals offer a range of benefits compared to other digital formats. PDF files are designed to retain their formatting regardless of the device used to open them. This ensures that the content appears exactly as intended by the author, with no loss of formatting or missing graphics. Additionally, PDF files can be easily annotated, bookmarked, and searched for specific terms, making them highly practical for studying or referencing. When it comes to accessing Pcb Wizard Tutorial 1 books and manuals, several platforms offer an extensive collection of resources. One such platform is Project Gutenberg, a nonprofit organization that provides over 60,000 free eBooks. These books are primarily in the public domain, meaning they can be freely distributed and downloaded. Project Gutenberg offers a wide range of classic literature, making it an excellent resource for literature enthusiasts. Another popular platform for Pcb Wizard Tutorial 1 books and manuals is Open Library. Open Library is an initiative of the Internet Archive, a non-profit organization dedicated to

digitizing cultural artifacts and making them accessible to the public. Open Library hosts millions of books, including both public domain works and contemporary titles. It also allows users to borrow digital copies of certain books for a limited period, similar to a library lending system. Additionally, many universities and educational institutions have their own digital libraries that provide free access to PDF books and manuals. These libraries often offer academic texts, research papers, and technical manuals, making them invaluable resources for students and researchers. Some notable examples include MIT OpenCourseWare, which offers free access to course materials from the Massachusetts Institute of Technology, and the Digital Public Library of America, which provides a vast collection of digitized books and historical documents. In conclusion, Pcb Wizard Tutorial 1 books and manuals for download have transformed the way we access information. They provide a cost-effective and convenient means of acquiring knowledge, offering the ability to access a vast library of resources at our fingertips. With platforms like Project Gutenberg, Open Library, and various digital libraries offered by educational institutions, we have access to an ever-expanding collection of books and manuals. Whether for educational, professional, or personal purposes, these digital resources serve as valuable tools for continuous learning and self-improvement. So why not take advantage of the vast world of Pcb Wizard Tutorial 1 books and manuals for download and embark on your journey of knowledge?

FAQs About Pcb Wizard Tutorial 1 Books

What is a Pcb Wizard Tutorial 1 PDF? A PDF (Portable Document Format) is a file format developed by Adobe that preserves the layout and formatting of a document, regardless of the software, hardware, or operating system used to view or print it. **How do I create a Pcb Wizard Tutorial 1 PDF?** There are several ways to create a PDF: Use software like Adobe Acrobat, Microsoft Word, or Google Docs, which often have built-in PDF creation tools. Print to PDF: Many applications and operating systems have a "Print to PDF" option that allows you to save a document as a PDF file instead of printing it on paper. Online converters: There are various online tools that can convert different file types to PDF. **How do I edit a Pcb Wizard Tutorial 1 PDF?** Editing a PDF can be done with software like Adobe Acrobat, which allows direct editing of text, images, and other elements within the PDF. Some free tools, like PDFescape or Smallpdf, also offer basic editing capabilities. **How do I convert a Pcb Wizard Tutorial 1 PDF to another file format?** There are multiple ways to convert a PDF to another format: Use online converters like Smallpdf, Zamzar, or Adobe Acrobats export feature to convert PDFs to formats like Word, Excel, JPEG, etc. Software like Adobe Acrobat, Microsoft Word, or other PDF editors may have options to export or save PDFs in different formats. **How do I password-protect a Pcb Wizard Tutorial 1 PDF?** Most PDF editing software allows you to add password protection. In Adobe Acrobat, for instance, you can go to "File" -> "Properties"

-> "Security" to set a password to restrict access or editing capabilities. Are there any free alternatives to Adobe Acrobat for working with PDFs? Yes, there are many free alternatives for working with PDFs, such as: LibreOffice: Offers PDF editing features. PDFsam: Allows splitting, merging, and editing PDFs. Foxit Reader: Provides basic PDF viewing and editing capabilities. How do I compress a PDF file? You can use online tools like Smallpdf, ILovePDF, or desktop software like Adobe Acrobat to compress PDF files without significant quality loss. Compression reduces the file size, making it easier to share and download. Can I fill out forms in a PDF file? Yes, most PDF viewers/editors like Adobe Acrobat, Preview (on Mac), or various online tools allow you to fill out forms in PDF files by selecting text fields and entering information. Are there any restrictions when working with PDFs? Some PDFs might have restrictions set by their creator, such as password protection, editing restrictions, or print restrictions. Breaking these restrictions might require specific software or tools, which may or may not be legal depending on the circumstances and local laws.

Find Pcb Wizard Tutorial 1 :

~~the case of italy community of sant egidio~~

the feed analysis laboratory establishment and quality control setting up a feed analysis laboratory and implementing a quality assurance system fao animal production and health guidelines

the fasting prayer franklin hall

~~the game penetrating the secret society of pickup artists~~

the law of attraction basics teachings abraham esther hicks

the complete japanese joinery by yasua nakahara

the doomsday bonnet

the complete manual of suicide english

the comparison between qualitative quantitative and

the company secretarial practice manual

the modi and vam methods of solving transportation problems

the empty chair lincoln rhyme book 3

the h factor of personality why some people are manipulative self entitled materialistic and exploitive and why it matters for everyone h factor of personality paperback

the concept of anxiety a simple psychologically orienting deliberation on dogmatic issue hereditary sin sren kierkegaard

the last unicorn

Pcb Wizard Tutorial 1 :

controlling im betrieblichen gesundheitsmanagement - Jun 14 2023

web jan 10 2020 controlling im betrieblichen gesundheitsmanagement bgm controlling ist die informationsbasierte und entscheidungsvorbereitende unterstützung der führungskräfte und des betrieblichen gesundheitsmanagements bei der erfüllung ihrer aufgabe die kollektive gesundheit in ihrem verantwortungsbereich zu

controlling im betrieblichen gesundheitsmanagement - Oct 06 2022

web das betriebliche gesundheitsmanagement wird zunehmend komplexer und damit schwieriger zu steuern dieses buch unterstützt die verantwortlichen bei der professionellen bewältigung dieser steuerungsaufgabe

planung und controlling von maßnahmen zum betrieblichen - Nov 07 2022

web jetzt kaufen planen sie alle aktivitäten zum betrieblichen gesundheitsmanagement bgm so dass die ziele erreicht und die rahmenbedingungen eingehalten werden prüfen sie die wirksamkeit der maßnahmen indem sie geeignete kennzahlen festlegen ermitteln und für die erfolgskontrolle auswerten

gesundheitscontrolling ziele aufgaben und instrumente - Jul 15 2023

web warum gesundheit im unternehmen gemanagt und warum das gesundheitsmanagement durch gesundheitscontrolling unterstützt werden sollte und wie gesundheitscontrolling als system der früherkennung von gesundheitsrisiken und eigenverantwortung gestaltet werden sollte 1 controllingverständnis

controlling im betrieblichen gesundheitsmanagemen pdf - Aug 04 2022

web betrieblichen gesundheitsmanagement bgm liegen und welche voraussetzungen für ein erfolgreiches betriebliches gesundheitsmanagement wichtig sind grundlagen von evidenzbasierten intervention public health action cycle

controlling im betrieblichen gesundheitsmanagement - Feb 10 2023

web jan 1 2019 controlling im betrieblichen gesundheitsmanagement authors holger pfaff university of cologne sabrina zeike university of cologne abstract nachdem im vorangegangenen kapitel die grundzüge des

controlling im betrieblichen gesundheitsmanagement gbv - Jan 29 2022

web controlling im betrieblichen gesundheitsmanagement holger pfaff sabrina zeike controlling im betrieblichen gesundheitsmanagement das 7 schritte modell springer gabler 2 1 3 gesundheitsrelevante personalarbeit und organisationsentwicklung 8

wie sich das krankenhaus controlling den aufgaben der zukunft - Aug 16 2023

web jun 28 2018 von fabian schülke und andre saffran das krankenhaus controlling steht vor der herausforderung aus einer heterogenen it landschaft und bei stetig wachsendem datenvolumen schnell alle steuerungsrelevanten kennzahlen ermitteln zu müssen die lösung ist eine von zentraler stelle koordinierte business intelligence anwendung

[pdf controlling im betrieblichen gesundheitsmanagement das](#) - May 13 2023

web jan 1 2019 im mittelpunkt steht das 7 schritte modell des controllings ein tool zur strukturierung von kennzahlen für einen zielgerichteten und wirksamen einsatz das sich flexibel an die

betriebliches gesundheitsmanagement springerlink - Sep 05 2022

web aug 24 2019 die planung koordination kommunikation und controlling der prozesse kann beispielsweise im personal management geschehen es können ausschüsse qualitätszirkel oder gruppen gebildet werden um die erforderlichen themen zu bearbeiten

controlling und kennzahlen im betrieblichen gesundheitsmanagement - Feb 27 2022

web begriffserklärung controlling kennzahlen controlling wird im betrieblichen gesundheitsmanagement bgm oft vernachlässigt dabei ist dessen einbindung in das system unerlässlich controlling bedeutet ein regelmäßiges und genaues beobachten der strukturen und prozesse

controlling im betrieblichen gesundheitsmanagement - Jul 03 2022

web nachdem im vorangegangenen kapitel die grundzüge des betrieblichen gesundheitsmanagements generell vorgestellt wurden geht es in diesem kapitel um das controlling im betrieblichen gesundheitsmanagement es werden vier komponenten des controllings unterschieden gesundheits determinanten maßnahmen und

controlling im betrieblichen gesundheitsmanagement getabstract - Jan 09 2023

web hier setzt das betriebliche gesundheitsmanagement an gezielte maßnahmen sollen die gesundheit der mitarbeiter erhalten und fördern das buch zeigt auf welche kennzahlen und methoden geeignet sind diese maßnahmen zu messen und zu steuern

controlling im betrieblichen gesundheitsmanagement - Apr 12 2023

web zusammenspiel von controlling und bgm optimal gestalten mit umfangreicher kennzahlen liste neue technologien und disruptive geschäftsmodelle können stress und psychische belastungen verursachen um negative auswirkungen zu vermeiden investieren unternehmen immer häufiger in die gesundheit ihrer mitarbeiter

[controlling im betrieblichen gesundheitsmanagement bgm](#) - Mar 11 2023

web apr 18 2023 controlling wird als teilfunktion des unternehmerischen führungssystems verstanden dessen kernaufgabe die planung steuerung und kontrolle aller unternehmensbereiche ist das bgm controlling bezieht sich logischerweise auf zahlen und werte welche im bereich des bgms ermittelt werden

controlling im betrieblichen gesundheitsmanagement springer - Sep 17 2023

web jan 9 2020 das fachbuch vermittelt basiswissen für ein modernes controlling des betrieblichen gesundheitsmanagements das im mittelpunkt stehende 7 schritte modell hilft dabei das bgm controlling strategiegerecht und

flexibel aufzubauen und ein lernendes system mit rückkopplungsschleifen zu etablieren

controlling im betrieblichen gesundheitsmanagement 3 springer - Mar 31 2022

web c controlling im betrieblichen gesundheitsmanagement bgm controlling ist die informationsbasierte und entscheidungsvorbereitende unterstützung der füh rungskräfte und des betrieblichen gesundheitsmanagements bei der erfüllung ihrer auf gabe die kollektive gesundheit in ihrem verantwortungsbereich zu erhalten und zu fördern

das 7 schritte modell des bgm controllings springerlink - Jun 02 2022

web jan 10 2020 dieses kapitel stellt sieben schritte zur durchführung eines controllings im bgm vor ziel der sieben schritte ist es einen strukturierten leitfaden zur entwicklung und zum aufbau eines bgm controllings anzubieten die controlling fehlt im betrieblichen gesundheitsmanagement - May 01 2022

web jun 16 2014 haufe online redaktion bild haufe online redaktion die richtigen zahlen erfassen und auswerten im bgm controlling müssen personaler noch einiges aufholen die strategische umsetzung eines betrieblichen gesundheitsmanagementsystems ist in vielen unternehmen noch unzureichend zeigt eine studie schwächen bestehen dabei

betriebliches gesundheitsmanagement einführen perwiss - Dec 08 2022

web die salutogenese also die gesundheitsorientierte sichtweise setzt auf die gesunderhaltung der beschäftigten untersucht werden faktoren die ausschlaggebend dafür sind dass mitarbeiterinnen und mitarbeiter in unternehmen trotz erheblicher belastung und gesundheitskritischer einwirkungen gesund bleiben

sindh textbook board 8th class books pdf download - Apr 17 2023

web one class sindh text books pdf two class sindh text books pdf three class sindh text books pdf 4th class sindh text books pdf 5th class sindh text books pdf

download free sindh text book urdu for 8th - Aug 09 2022

web viii sindhi books urdu books english books ix sindhi books urdu books english books x sindhi books urdu books english books xii sindhi books urdu books

grade 8 sindh karachi board book all subjects perfect24u com - Oct 11 2022

web sindh text book urdu for 8th urdu apr 14 2022 one in a series of self taught language textbooks this course provides basic tuition in urdu this cassette accompanies the

8th class sindh textbook board urdu books stbb - Oct 23 2023

web download class eighth viii urdu reader book in pdf format by sindh text book board stbb jamshor

sindh text books taleem360 - Mar 04 2022

web may 18 2021 overview download class eighth viii asaan sindhi text book in pdf format by sindh text book board stbb jamshoro download 5k download if blue

welcome in home page - Jun 07 2022

web 1 2 8th class islamic studies punjab text book 2023 snc by pctb snc 8th text books 8th class tarjama e quran punjab textbook 2023 pdf by pctb 8th text

8th text books taleem360 - Apr 05 2022

web may 18 2021 overview download class eighth viii islamic studies urdu medium text book in pdf format by sindh text book board stbb jamshoro download 3 5k

urdu notes for 8th class for sindh boards schools colleges - Jun 19 2023

web mar 6 2023 these sindh textbooks for class 8 students illustrate every chapter in a detailed manner with advanced concepts test preparation provides a link for

class 8 urdu book 2023 sindh textbook board pdf download - Jul 20 2023

web mar 17 2023 class 8 books sindh textbook board urdu english medium the sindh textbook board published new edition of the 8th class books 2023 24 which is

8th class science urdu medium text book by sindh board - May 06 2022

web download sindh boards text books of all classes from class one to intermediate and all subjects in pdf format from taleem360 all sindh text book board stbb

sindh text book urdu for 8th pdf cyberlab sutd edu sg - Jul 08 2022

web may 18 2021 overview download class eighth viii general science urdu medium text book in pdf format by sindh text book board stbb jamshoro note pdf size is

urdu notes for 8th class for sindh download class notes - Dec 13 2022

web asan urdu 8 class sindh board download ikhlaqiyat sindh medium class 8 download science em class 8 sindh textbook download asan sindhi 8 class download arabic 8

asaan sindhi class 8th text book pdf by sindh board - Jan 02 2022

8th class books 2023 sindh textbook board pdf - May 18 2023

web mar 14 2023 test preparation provides a link for downloading sindhi book for 8th class sindh board compiled by the sindh education department team in both english and

[sindh textbook board 8th class books 2023 pdf free download](#) - Sep 22 2023

web sep 27 2023 urdu books class 8 sindh textbook board are interesting for students preparing for final exams it is also an important year because in class 8 they will have to

sindh text books sttb all class online sabaq - Sep 10 2022

web the dialogues and texts from the book and will help develop your listening and pronunciation skills urdu for all oct 10 2023 urdu for everyone book 1 dec 08 2020 urdu for

[8th class sindhi notes complete guide key book guide for](#) - Nov 12 2022

web jan 31 2023 pdf download all subjects class 8th grade viii eight sinh textbook board jamshoro stbb english medium urdu medium and sindhi

[sindhi book for class 8 sindh board pdf download](#) - Mar 16 2023

web jan 31 2023 these textbooks are an essential resource for students teachers and parents who want to ensure a successful academic journey for grade viii students in

[8th class islamiyat urdu medium text book by sindh board](#) - Feb 03 2022

sindh textbooks pdf for class 1 to 12 of all subjects - Feb 15 2023

web urdu notes for class 8 for sindh board schools colleges download complete pdf key book guide for 8th class grade viii [grade viii new sttb sindh board class 8th books pdf](#) - Jan 14 2023

web 8th class sindhi notes complete guide for sindh board schools colleges written or composed by shahzad iftikhar for class 8 viii middle level download complete pdf

8th text books sindh taleem360 - Aug 21 2023

web urdu notes for 8th class for sindh boards schools colleges a complete key book in pdf format for class 8 viii middle level these notes key book guide handouts

security analysis and portfolio management unit 1 2 - Oct 18 2023

web 405b security analysis and portfolio management 1 safety of principal investment analysis ensures safety of principal by proper reviewing the stock before investing 2 builds strong portfolio choosing the right type of stock leads to formation of a strong portfolio investment 3 enhance

[sapm unit 1 these are the security analysis and portfolio management](#) - Jul 03 2022

web these are the security analysis and portfolio management notes university nims university course mba 77118391156 uploaded by ranu agrawal academic year 2022 2023 helpful 0 0 sapm unit 1 these are the security analysis and portfolio management notes more info download save ch a pter 1

[dk24 security analysis and portfolio management](#) - Mar 11 2023

web 1 dk24 security analysis and portfolio management unit i investment setting securities securities market sources of investment information security contract regulation act unit ii valuation of securities equity preference shares debt instruments hybrid securities

chapter 1 security analysis and investment management unit 1 - Aug 04 2022

web oct 1 2022 154 share 77k views 4 months ago security analysis investment management chapter 1 security analysis and investment management unit 1 3rd sem mba bu vv study

[security analysis and portfolo managemnt unit 1](#) - Aug 16 2023

web security analysis and portfolo managemnt unit 1 dr asmakhan associate professor school of business studies shobhit institute of engineering and technology deemed to be university meerut unit 1 introduction of investment contents meaning and objective of investment investment decision process

security analysis and portfolio management springer - Apr 12 2023

web a primer home textbook authors shveta singh surendra s yadav provides all the fundamental concepts for undergraduates and upper undergraduates presents a fresh perspective to the subject citing recent data and examples contains illustrations and case lets from real life examples part of the book series classroom companion business ccb

security analysis and portfolio management sapm e lecture - Jul 15 2023

web step 1 economic and market analysis step 2 analysis of financial statements step 3 forecasting relevant payoffs step 4 formulating a security value step 5 making a recommendation in security selection process a traditional approach of economic industry company analysis is employed

security analysis and portfolo management unit 1 dr asma khan - Nov 07 2022

web dr asma khan associate professor school of business studies shobhit institute of engineering and technology deemed to be university meerut f unit 1 introduction of investment fcontents 1 meaning and objective of investment 2 investment decision process 3 categories of investment 4 phases of portfolio management

[security analysis and portfolio management notes pdf syllabus](#) - Jan 29 2022

web mar 6 2022 security analysis and portfolio management question paper if you have already studied the security analysis and portfolio management notes then it s time to move ahead and go through the previous year s security analysis and portfolio management question paper it will help you to understand question paper patterns and

security analysis and - Jun 14 2023

web unit 1 15 lectures 1 an overview what is investment investment versus speculation objectives of investment meaning of portfolio meaning of portfolio management portfolio management process approaches to investment decision making 2 investment alternatives

scm unit 1 notes security analysis and portfolio management - Dec 08 2022

web unit 1 development of scm concepts and definitions key decision areas strategic supply chain management and key components external drivers of change

security analysis and portfolio management mgt521 - Oct 06 2022

web students each will be assigned one specific company and they will apply the valuation techniques as and when these are discussed in the class homework 3 dummy portfolio management students will be divided into group of 5 10 each they have to group manage a dummy portfolio as per the guidelines issued by cos f

security analysis and portfolio management request pdf - Jun 02 2022

web jan 13 2021 request pdf security analysis and portfolio management 1 the first five chapters cover introduction to investment and investment management and different types of investments and their

security analysis and portfolio management unit 1 investment - Mar 31 2022

web security analysis and portfolio management 1 at the tangent point i e portfolio p is the optimum combination of risky investments and the market portfolio 2 only efficient portfolios that consist of risk free investments and the market portfolio p lie on the cml 3 cml is always upward

security analysis and portfolio management unit 1 - Feb 27 2022

web security analysis and portfolio management unit 1 symantec security research centers around the world provide unparalleled analysis of and protection from it security threats that include malware security risks vulnerabilities and spam

security analysis and portfolio management afm332 - Feb 10 2023

web security analysis and portfolio management university of new england build the skills to analyse risk and return in financial assets optimise investment portfolios and evaluate performance build the skills to analyse risk and return in financial assets optimise investment portfolios and evaluate performance

security analysis and portfolo management unit 1 dr asma - Nov 26 2021

web aug 11 2023 security analysis and portfolo management unit 1 dr asma khan pptx download as a pdf or view online for free

security analysis and portfolio management studocu - Dec 28 2021

web security analysis and portfolio management sapm e lecture notes for mba ims mgkvp session 2020 unit iii security analysis is the analysis of trade able financial instruments called securities it deals with finding the proper value of individual securities i stocks and bonds

security analysis and portfolio management afm332 studocu - Jan 09 2023

web studying afm332 security analysis and portfolio management at university of new england unit 3 leadership and decision making busm4194 everyday physics phys1110 consumer behaviour 024202 applied brand management mktg 1080 portfolio analysis fin 323 organisational behaviour mgmt20001

security analysis and portfolio management aligarh muslim - May 13 2023

web unit 1 introduction to capital market 1 unit 2 risk and return 58 unit 3 introduction to security analysis 93 unit 4
fundamental analysis 109 unit 5 equity valuation models 148 unit 6 technical analysis 165 unit 7 efficient market theory 196
unit 8 derivatives 217 unit 9 portfolio management 243 unit 10 portfolio analysis 257

security analysis and portfolio management - Sep 05 2022

web security analysis and portfolio management unit 1 investment definition investment is the dedication of an asset to attain an increase in value over a period of time investment requires a sacrifice of some present asset such as time money or effort in finance the purpose of investing is to generate a return from the invested asset

security analysis and portfolio management unit 1 - May 01 2022

web security analysis and portfolio management unit 1 introduction to investments investment is an activity that is engaged in by people who have savings ie investments are made from savings or in other words people invest their savings but all savers are not investors investment is an activity which is different from

security analysis and portfolio management - Sep 17 2023

web unit 1 15 lecture 1 an overview what is investment investment versus speculation objectives of investment meaning of portfolio meaning of portfolio management portfolio management process approaches to investment decision making 2 investment alternatives