

Activity - Practice with Complex Circuits

$$V = IR$$

Part I

In the circuits below, the voltage of the battery is 12 V and each resistor is 2 Ω . For each circuit:

- Describe the circuit and any assumptions you make. Which resistors are in series? Which are in parallel?
- Calculate the current through each resistor and the voltage across each resistor.

$$\text{Total: } 8 + 2 = 10$$

$$\text{Series} = 2 + 2 + 2 + 2 = 8 \Omega$$

$$\text{Parallel} = \frac{1}{2} = 2 \Omega$$

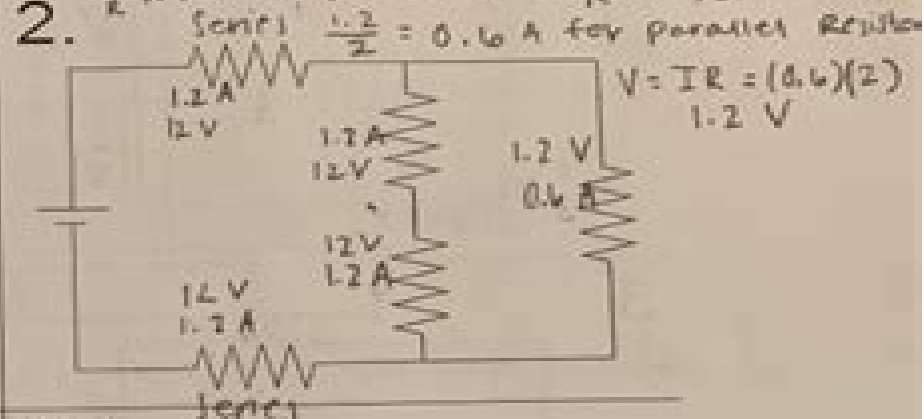
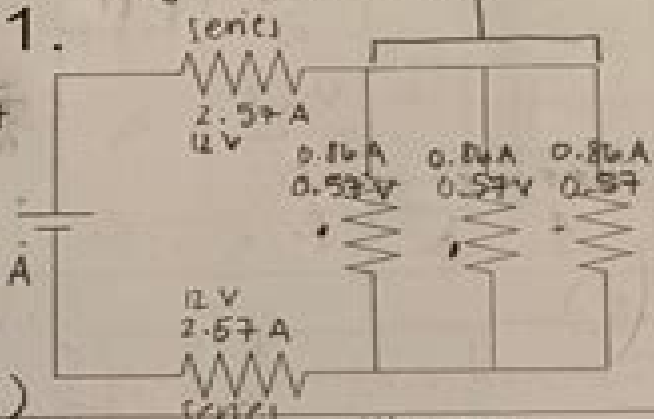
$$V = IR \rightarrow I = \frac{V}{R} = \frac{12}{10} = 1.2 \text{ A}$$

$$A = \frac{2 \Omega}{4.67} (12)$$

5.13

$$2 + 2 = 4 \Omega (\text{series}) \quad \frac{1}{2} + \frac{1}{2} + \frac{1}{2} = \frac{3}{2} = \frac{2}{3} (\text{parallel})$$

$$4 + \frac{2}{3} = 4.67 \Omega = \text{total}$$



$$V = IR$$

$$I = \frac{V}{R} = \frac{12}{4.67}$$

$$I = 2.57$$

$$\frac{2.57 \text{ A}}{3} = 0.86 \text{ A}$$

$$V = IR$$

$$V = (0.86) \left(\frac{2}{3}\right)$$

$$V = 0.57 \text{ V}$$

3.

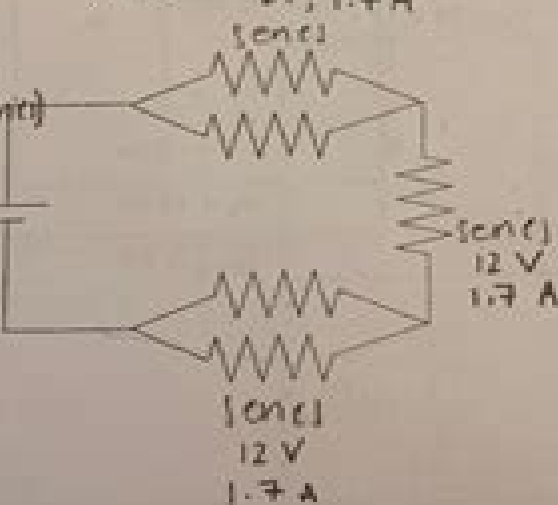
$$\text{Total } R = 6 + 1 = 7 \Omega$$

$$2 + 2 + 2 = 6 \Omega (\text{series})$$

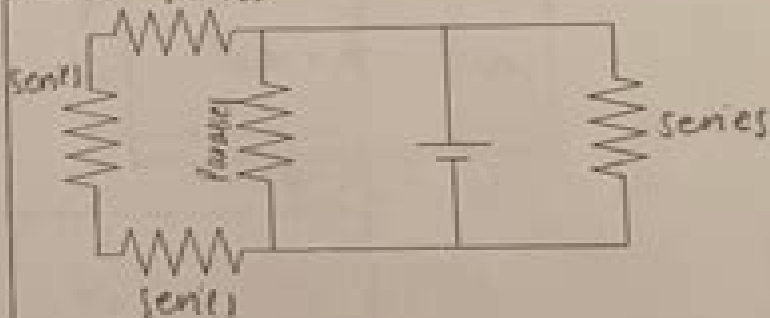
$$\frac{1}{2} + \frac{1}{2} = \frac{2}{2} = 1 \Omega (\text{parallel})$$

$$V = IR$$

$$I = \frac{V}{R} = \frac{12}{7} = 1.7 \text{ A}$$



4.



Complex Circuit Problems And Solutions

AW Rasmussen



Complex Circuit Problems And Solutions:

As recognized, adventure as skillfully as experience very nearly lesson, amusement, as skillfully as treaty can be gotten by just checking out a ebook **Complex Circuit Problems And Solutions** as well as it is not directly done, you could resign yourself to even more more or less this life, as regards the world.

We manage to pay for you this proper as with ease as easy quirk to acquire those all. We find the money for Complex Circuit Problems And Solutions and numerous books collections from fictions to scientific research in any way. in the course of them is this Complex Circuit Problems And Solutions that can be your partner.

https://py.bijouxmedusa.com/About/virtual-library/Download_PDFS/Basics_Explained_For_Creators_98_171_Machine_Learning_Basics_Explained.pdf

Table of Contents Complex Circuit Problems And Solutions

1. Understanding the eBook Complex Circuit Problems And Solutions
 - The Rise of Digital Reading Complex Circuit Problems And Solutions
 - Advantages of eBooks Over Traditional Books
2. Identifying Complex Circuit Problems And Solutions
 - Exploring Different Genres
 - Considering Fiction vs. Non-Fiction
 - Determining Your Reading Goals
3. Choosing the Right eBook Platform
 - Popular eBook Platforms
 - Features to Look for in an Complex Circuit Problems And Solutions
 - User-Friendly Interface
4. Exploring eBook Recommendations from Complex Circuit Problems And Solutions
 - Personalized Recommendations
 - Complex Circuit Problems And Solutions User Reviews and Ratings
 - Complex Circuit Problems And Solutions and Bestseller Lists

5. Accessing Complex Circuit Problems And Solutions Free and Paid eBooks
 - Complex Circuit Problems And Solutions Public Domain eBooks
 - Complex Circuit Problems And Solutions eBook Subscription Services
 - Complex Circuit Problems And Solutions Budget-Friendly Options
6. Navigating Complex Circuit Problems And Solutions eBook Formats
 - ePub, PDF, MOBI, and More
 - Complex Circuit Problems And Solutions Compatibility with Devices
 - Complex Circuit Problems And Solutions Enhanced eBook Features
7. Enhancing Your Reading Experience
 - Adjustable Fonts and Text Sizes of Complex Circuit Problems And Solutions
 - Highlighting and Note-Taking Complex Circuit Problems And Solutions
 - Interactive Elements Complex Circuit Problems And Solutions
8. Staying Engaged with Complex Circuit Problems And Solutions
 - Joining Online Reading Communities
 - Participating in Virtual Book Clubs
 - Following Authors and Publishers Complex Circuit Problems And Solutions
9. Balancing eBooks and Physical Books Complex Circuit Problems And Solutions
 - Benefits of a Digital Library
 - Creating a Diverse Reading Collection Complex Circuit Problems And Solutions
10. Overcoming Reading Challenges
 - Dealing with Digital Eye Strain
 - Minimizing Distractions
 - Managing Screen Time
11. Cultivating a Reading Routine Complex Circuit Problems And Solutions
 - Setting Reading Goals Complex Circuit Problems And Solutions
 - Carving Out Dedicated Reading Time
12. Sourcing Reliable Information of Complex Circuit Problems And Solutions
 - Fact-Checking eBook Content of Complex Circuit Problems And Solutions
 - Distinguishing Credible Sources
13. Promoting Lifelong Learning

- Utilizing eBooks for Skill Development
 - Exploring Educational eBooks
14. Embracing eBook Trends
- Integration of Multimedia Elements
 - Interactive and Gamified eBooks

Complex Circuit Problems And Solutions Introduction

In this digital age, the convenience of accessing information at our fingertips has become a necessity. Whether its research papers, eBooks, or user manuals, PDF files have become the preferred format for sharing and reading documents. However, the cost associated with purchasing PDF files can sometimes be a barrier for many individuals and organizations. Thankfully, there are numerous websites and platforms that allow users to download free PDF files legally. In this article, we will explore some of the best platforms to download free PDFs. One of the most popular platforms to download free PDF files is Project Gutenberg. This online library offers over 60,000 free eBooks that are in the public domain. From classic literature to historical documents, Project Gutenberg provides a wide range of PDF files that can be downloaded and enjoyed on various devices. The website is user-friendly and allows users to search for specific titles or browse through different categories. Another reliable platform for downloading Complex Circuit Problems And Solutions free PDF files is Open Library. With its vast collection of over 1 million eBooks, Open Library has something for every reader. The website offers a seamless experience by providing options to borrow or download PDF files. Users simply need to create a free account to access this treasure trove of knowledge. Open Library also allows users to contribute by uploading and sharing their own PDF files, making it a collaborative platform for book enthusiasts. For those interested in academic resources, there are websites dedicated to providing free PDFs of research papers and scientific articles. One such website is Academia.edu, which allows researchers and scholars to share their work with a global audience. Users can download PDF files of research papers, theses, and dissertations covering a wide range of subjects. Academia.edu also provides a platform for discussions and networking within the academic community. When it comes to downloading Complex Circuit Problems And Solutions free PDF files of magazines, brochures, and catalogs, Issuu is a popular choice. This digital publishing platform hosts a vast collection of publications from around the world. Users can search for specific titles or explore various categories and genres. Issuu offers a seamless reading experience with its user-friendly interface and allows users to download PDF files for offline reading. Apart from dedicated platforms, search engines also play a crucial role in finding free PDF files. Google, for instance, has an advanced search feature that allows users to filter results by file type. By specifying the file type as "PDF," users can find websites that offer free PDF downloads on a specific topic. While downloading Complex Circuit Problems And

Solutions free PDF files is convenient, its important to note that copyright laws must be respected. Always ensure that the PDF files you download are legally available for free. Many authors and publishers voluntarily provide free PDF versions of their work, but its essential to be cautious and verify the authenticity of the source before downloading Complex Circuit Problems And Solutions. In conclusion, the internet offers numerous platforms and websites that allow users to download free PDF files legally. Whether its classic literature, research papers, or magazines, there is something for everyone. The platforms mentioned in this article, such as Project Gutenberg, Open Library, Academia.edu, and Issuu, provide access to a vast collection of PDF files. However, users should always be cautious and verify the legality of the source before downloading Complex Circuit Problems And Solutions any PDF files. With these platforms, the world of PDF downloads is just a click away.

FAQs About Complex Circuit Problems And Solutions Books

1. Where can I buy Complex Circuit Problems And Solutions books? Bookstores: Physical bookstores like Barnes & Noble, Waterstones, and independent local stores. Online Retailers: Amazon, Book Depository, and various online bookstores offer a wide range of books in physical and digital formats.
2. What are the different book formats available? Hardcover: Sturdy and durable, usually more expensive. Paperback: Cheaper, lighter, and more portable than hardcovers. E-books: Digital books available for e-readers like Kindle or software like Apple Books, Kindle, and Google Play Books.
3. How do I choose a Complex Circuit Problems And Solutions book to read? Genres: Consider the genre you enjoy (fiction, non-fiction, mystery, sci-fi, etc.). Recommendations: Ask friends, join book clubs, or explore online reviews and recommendations. Author: If you like a particular author, you might enjoy more of their work.
4. How do I take care of Complex Circuit Problems And Solutions books? Storage: Keep them away from direct sunlight and in a dry environment. Handling: Avoid folding pages, use bookmarks, and handle them with clean hands. Cleaning: Gently dust the covers and pages occasionally.
5. Can I borrow books without buying them? Public Libraries: Local libraries offer a wide range of books for borrowing. Book Swaps: Community book exchanges or online platforms where people exchange books.
6. How can I track my reading progress or manage my book collection? Book Tracking Apps: Goodreads, LibraryThing, and Book Catalogue are popular apps for tracking your reading progress and managing book collections. Spreadsheets: You can create your own spreadsheet to track books read, ratings, and other details.

7. What are Complex Circuit Problems And Solutions audiobooks, and where can I find them? Audiobooks: Audio recordings of books, perfect for listening while commuting or multitasking. Platforms: Audible, LibriVox, and Google Play Books offer a wide selection of audiobooks.
8. How do I support authors or the book industry? Buy Books: Purchase books from authors or independent bookstores. Reviews: Leave reviews on platforms like Goodreads or Amazon. Promotion: Share your favorite books on social media or recommend them to friends.
9. Are there book clubs or reading communities I can join? Local Clubs: Check for local book clubs in libraries or community centers. Online Communities: Platforms like Goodreads have virtual book clubs and discussion groups.
10. Can I read Complex Circuit Problems And Solutions books for free? Public Domain Books: Many classic books are available for free as they're in the public domain. Free E-books: Some websites offer free e-books legally, like Project Gutenberg or Open Library.

Find Complex Circuit Problems And Solutions :

~~basics explained for creators 98-171 machine learning basics explained~~

~~electric vehicles case study for startups 98-2173 electric vehicles~~

~~hacks case study for entrepreneurs 98-2948 productivity hacks checklist~~

USA 98-189 retirement planning software United States 98-518 retirement

entrepreneurs 98-1276 crypto investing best practices for startups

~~for entrepreneurs 98-2121 digital marketing roadmap for startups 98-2429~~

~~budget travel guide USA 98-880 budget travel guide for creators 98-360~~

startups 98-2523 smart home tech examples America 98-564 smart home tech

~~explained America 98-471 data science careers for beginners America~~

~~entrepreneurs 98-272 crypto investing comparison for entrepreneurs~~

entrepreneurs 98-2416 cybersecurity explained for small business 98-530

~~98-1235 mental wellness blueprint for creators 98-361 mental wellness~~

investing apps USA 98-794 real estate investing apps for creators

~~States 98-1090 stock market review for creators 98-2413 stock market~~

for small business 98-1491 freelancing online ideas for small business

Complex Circuit Problems And Solutions :

lion heart a scarlet novel paperback 16 april 2018 - Dec 26 2021

lion heart a scarlet novel kindle edition amazon com au - Sep 03 2022

web apr 5 2005 lion heart a scarlet novel show full title by a c gaughen 4 5 5 6 ratings about this ebook the thrilling final book in a c gaughen s action packed and

lion heart a scarlet novel ebook 2015 worldcat org - Dec 06 2022

web lion heart a scarlet novel a scarlet novel gaughen a c amazon com au books

lion heart a scarlet novel kağıt kapak 2 ocak 2018 - Jul 13 2023

web nov 14 2017 overview locked away in prison scarlet finds herself a long way from nottinghamshire after a daring escape she learns that king richard s life is in jeopardy

lion heart a scarlet novel paperback barnes noble - Jun 12 2023

web the thrilling final book in a c gaughen s action packed and romance filled robin hood retelling a rip roaring tale booklist starred review

lion heart a scarlet novel a scarlet novel hardcover - Oct 04 2022

web select the department you want to search in

lion heart a scarlet novel scarlet a c gaughen bloomsbury - May 31 2022

web scarlet has captured the hearts of readers as well as the heart of robin hood and after ceaseless obstacles and countless threats readers will finally find out the fate of the

lion heart by a c gaughen ebook scribd - Jul 01 2022

web lion heart a scarlet novel isbn 9781681198217 1681198215 by gaughen a c buy sell or rent this book for the best price compare prices on bookscouter

lion heart a scarlet novel bookxcess - Mar 29 2022

web select the department you want to search in

lion heart a scarlet novel gaughen a c amazon in books - Jan 27 2022

lion heart a scarlet novel harvard book store - Apr 10 2023

web may 19 2015 the story told in scar s distinctive first person voice captivates and gets readers as deeply into the heart of a troubled girl has plenty for both the romantic

lion heart a scarlet novel scarlet a c gaughen - May 11 2023

web lion heart a scarlet novel ebook written by a c gaughen read this book using google play books app on your pc android ios devices download for offline reading

lion heart a scarlet novel kindle edition amazon com - Aug 14 2023

web arama yapmak istediğiniz kategoriye seçin

lion heart scarlet series 3 by a c gaughen - Feb 08 2023

web get this from a library lion heart a scarlet novel a c gaughen after escaping prince john s clutches and longing to return to rob in nottingham scarlet learns that king

lion heart a scarlet novel google play - Mar 09 2023

web may 19 2015 select the department you want to search in

lion heart a scarlet novel kindle edition amazon co uk - Jan 07 2023

web may 19 2015 buy lion heart a scarlet novel by gaughen a c isbn 9780802736161 from amazon s book store everyday low prices and free delivery on

lion heart a scarlet novel kindle edition amazon in - Aug 02 2022

web locked away in prison scarlet finds herself a long way from nottinghamshire after a daring escape she learns that king richard s life is in jeopardy and ele

lion heart a scarlet novel hardcover 19 may 2015 - Nov 05 2022

web hello sign in account lists returns orders cart

9781619639287 lion heart a scarlet novel bookscoouter com - Feb 25 2022

web select the department you want to search in

9781681198217 lion heart a scarlet novel bookscoouter com - Apr 29 2022

web scarlet has captured the hearts of readers as well as the heart of robin hood and after ceaseless obstacles and countless threats readers will finally find out the fate of the

donner vie à des symboles exercices de gymnastique french - Apr 26 2023

les exercices de gymnastique que nous faisons chaque matin sont un moyen de capter et de faire circuler ces énergies les figures géométriques auxquelles correspondent les différents mouvements sont en relation avec des forces des entités spirituelles

donner vie à des symboles exercices de gymnastique fnac - May 28 2023

mar 22 2013 donner vie à des symboles exercices de gymnastique broché omraam mikhaël aïvanhov achat livre ou ebook fnac accueil livre donner vie à des symboles omraam mikhaël aïvanhov auteur exercices de gymnastique paru le 22 mars 2013 essai broché donner vie à des symboles feuilleter format broché broché 18 ebook epub

donner vie a des symboles exercices de gymnastique - Apr 14 2022

premier exercice le triangle de l esprit deuxième exercice le triangle de la matière la rencontre des deux triangles le sceau de salomon troisième exercice le disque solaire quatrième exercice schin cinquième exercice le caducée d hermès sixième exercice la croix septième exercice aleph huitième exercice l infini partie iii

donner vie a des symboles exercices de gymnastique - Dec 23 2022

description donner vie a des symboles exercices de gymnastique par omraam mikhaël aïvanhov aux éditions prosveta pour canaliser l eau on creuse des fossés des rigoles pour éclairer sa maison on installe des circuits électriques par analogie ces exemples nous font

donner vie a des symboles exercices de gymnastique - May 16 2022

buy donner vie a des symboles exercices de gymnastique by mikhael aivanhov o isbn 9782818400319 from amazon s book store everyday low prices and free delivery on eligible orders

gifs animés gymnastique images animées sports icône gif - Feb 10 2022

images animées sports et gif gymnastique gratuits parmi plus de 3500 catégories gif sports gymnastique gifs alpinisme 7 gifs aquatique 18 gifs arts martiaux 16 gifs athlétisme 34 gifs balle baseball 6 gifs balle golf 4 gifs balle ping pong 2

donner vie a des symboles exercices de gymnastique - Mar 26 2023

mar 22 2013 les exercices de gymnastique que nous faisons chaque matin sont un moyen de capter et de faire circuler ces énergies les figures géométriques auxquelles correspondent les différents mouvements sont en relation avec des forces des entités spirituelles

donner vie a des symboles exercices de gymnastique book - Mar 14 2022

de l intelligence cosmique premier exercice le triangle de l esprit deuxième exercice le triangle de la matière la rencontre des deux triangles le sceau de salomon troisième exercice le disque solaire quatrième exercice schin cinquième exercice le caducée d hermès sixième exercice la croix

pdf epub donner vie à des symboles exercices de gymnastique - Nov 21 2022

les exercices de gymnastique que nous faisons chaque matin sont un moyen de capter et de faire circuler ces énergies les figures géométriques auxquelles correspondent les différents mouvements sont en relation avec des forces des entités spirituelles

donner vie à des symboles exercices de gymnastique goodreads - Jul 18 2022

pour canaliser l eau on creuse des fossés des rigoles pour éclairer sa maison on installe donner vie à des symboles exercices de gymnastique by omraam mikhaël aïvanhov goodreads home

donner vie à des symboles exercices de gymnastique decitre - Jun 16 2022

aug 30 2018 les figures géométriques auxquelles correspondent les différents mouvements de nos exercices de gymnastique sont en relation avec des énergies des entités spirituelles quand nous dessinons ces figures dans l'espace nous attirons les énergies et les entités auxquelles elles sont liées afin qu'elles travaillent en nous

donner vie a des symboles exercices de gymnastique - Jan 24 2023

donner vie a des symboles exercices de gymnastique livre broché livre large format 22 mars 2013 edition français de mikhael aivanhov o author 21 évaluations afficher tous les formats et éditions format kindle 18 99 lire avec notre appli gratuite broché 41 09 3 d occasion à partir de 41 09 4 neuf s à partir de 51 78

donner vie à des symboles exercices de gymnastique french - Sep 19 2022

aug 30 2018 donner vie à des symboles exercices de gymnastique french edition kindle edition by aïvanhov omraam mikhaël download it once and read it on your kindle device pc phones or tablets use features like bookmarks note taking and highlighting while reading donner vie à des symboles exercices de gymnastique french edition

donner vie à des symboles exercices de gymnastique google - Aug 31 2023

aug 30 2018 donner vie à des symboles exercices de gymnastique donner vie à des symboles omraam mikhaël aïvanhov éditions prosveta aug 30 2018 body mind spirit 201 pages

donner vie à des symboles exercices de gymnastique ebook - Oct 21 2022

donner vie à des symboles exercices de gymnastique ebook aïvanhov omraam mikhaël amazon fr livres

donner vie à des symboles exercices de gymnastique youtube - Oct 01 2023

donner vie à des symboles exercices de gymnastique des trésors cachés dans des exercices très simples sur la base de symboles puissants car chacun de nos

donner vie à des symboles exercices de gymnastique - Feb 22 2023

donner vie à des symboles exercices de gymnastique réf se0001fr pour canaliser l'eau on creuse des fossés des rigoles pour éclairer sa maison on installe des circuits électriques par analogie ces exemples nous font comprendre que pour capter et faire circuler les énergies spirituelles qui traversent l'

donner vie à des symboles exercices de gymnastique - Jun 28 2023

noté 5 retrouvez donner vie à des symboles exercices de gymnastique et des millions de livres en stock sur amazon fr achetez neuf ou d'occasion

donner vie à des symboles exercices de gymnastique - Jul 30 2023

comme nos gestes retentissent dans l'espace les exercices de gymnastique basés sur des symboles géométriques qui deviennent des figures sacrées incarner les vérités spirituelles du mouvement à la lumière le peuple de nos cellules des figures sacrées à habiter le triangle de l'esprit le triangle de la matière le disque

hasya kathalu by velcheru pdf document - Jan 27 2022

web jun 3 2018 8 12 2019 hasya kathalu by velcheru 1 568 12 2019 hasya kathalu by velcheru 2 568 12 2019 hasya kathalu by velcheru 3 568 12 2019 hasya kathalu by

100 haasya kathalu 100 [telugubooks in](#) - Jul 13 2023

web 100 haasya kathalu 100 [default title rs 100 author idukallu jyothirmayi](#)

rayalaseema hasya kathalu buy rayalaseema hasya kathalu - Nov 24 2021

web rayalaseema hasya kathalu by dr m harikishan from flipkart com only genuine products 30 day replacement guarantee free shipping cash on delivery

rayalaseema hasya kathalu telugubooks in navodaya book - Jul 01 2022

web rayalaseema hasya kathalu m harikishan tweet you may also be interested in rs 125 navvula puvvula vennela hasam rs 200 ammanudini atakekkisthara rs 75 pillala

[hasya katha telugu audio hasya](#) - Mar 09 2023

web oct 26 2021 [chinnanati jnapakalu hasya kathalu telugu audio book chandhamamakathalu](#)

telugu kathalu stories telugubooks in navodaya book house - Nov 05 2022

web telugu kathalu stories sort by featured price low to high price high to low a z z a oldest to newest newest to oldest best selling rs 200

telugu folk story harikishan kurnool youtube - Feb 08 2023

web nov 28 2017 [telugu stories for students](#) [aaha abba story in telugu telugu kathalu moral stories harikathalu telugu stories stories in telugu f](#)

tenali ramakrishnagudi hasya kathalu telugu paperback - Apr 29 2022

web amazon in buy tenali ramakrishnagudi hasya kathalu telugu book online at best prices in india on amazon in read tenali ramakrishnagudi hasya kathalu telugu

[mallik page vinodam cartoons mallik jokes mallik cartoons](#) - Mar 29 2022

web serial novel numerous humour novels penned by mallik were published as serial novels in telugu weeklies parugo parugu and jeevitame oka dhamal were chosen as scripts

[loading interface goodreads](#) - Jun 12 2023

web [loading interface goodreads](#)

loading interface goodreads - Oct 04 2022

web discover and share books you love on goodreads

haşa ne demek tdk ya göre haşa sözlük anlamı nedir - Sep 22 2021

web aug 27 2021 hařa arapça dilinden türkçe mize geçmiřtir tdk ye göre hařa kelimesi ise řu anlama gelmektedir bir durum veya davranıřın kesinlikle kabul edilmediđini anlatan

[hasya kathalu by potthuri vijaya lakshmi goodreads](#) - Dec 06 2022

web hasya kathalu book read reviews from world s largest community for readers