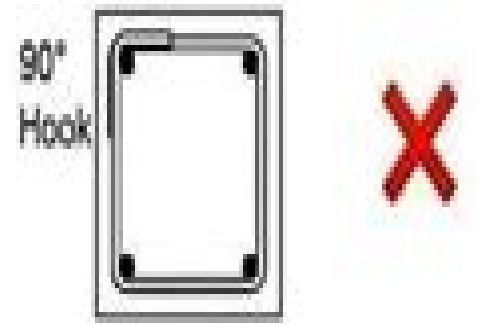
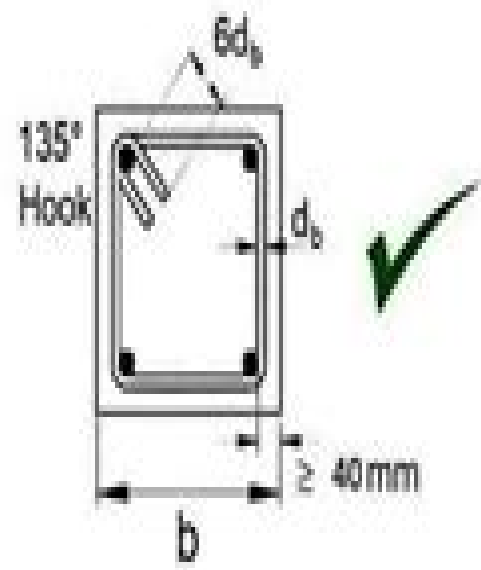
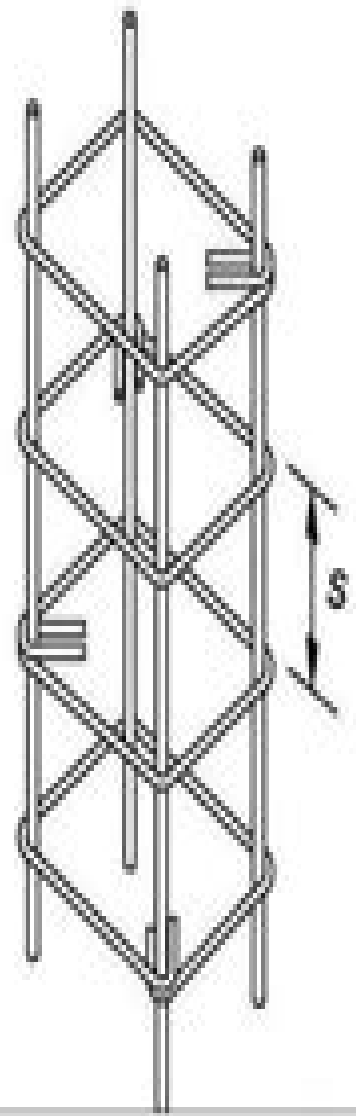
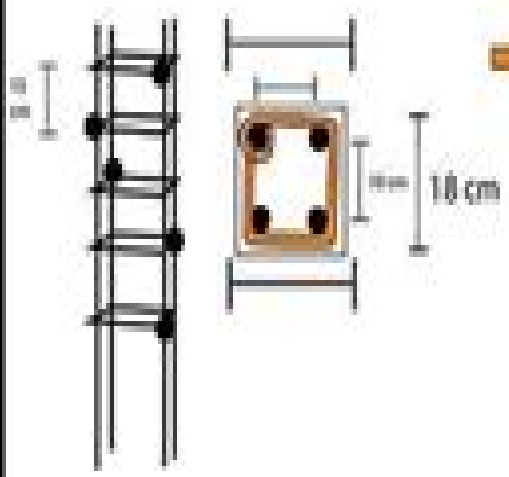


# Civil Engineering Basic Knowledge - Formulas

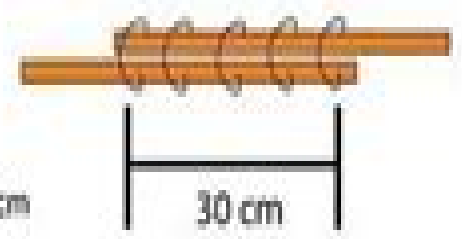
Basic Formulas | Interview Question and Answers | Site Knowledge | QS Knowledge



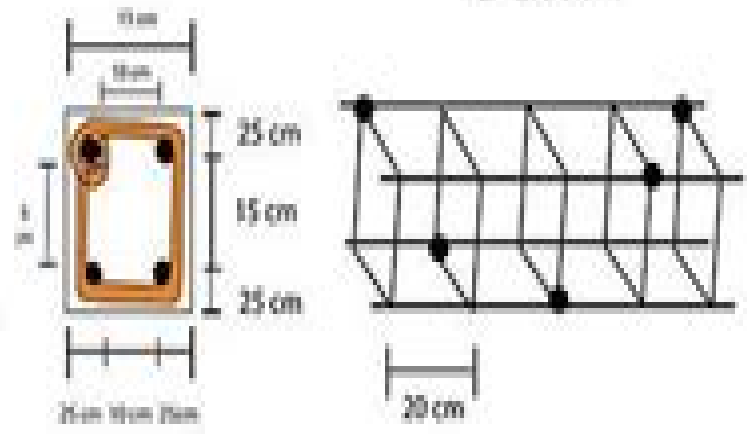
## Column



## Overlap



## Beam



# Basic Civil Engineering Tech Max

**Katrin Zwirgmaier**



**Basic Civil Engineering Tech Max:**

When somebody should go to the books stores, search inauguration by shop, shelf by shelf, it is in point of fact problematic. This is why we provide the books compilations in this website. It will totally ease you to look guide **Basic Civil Engineering Tech Max** as you such as.

By searching the title, publisher, or authors of guide you really want, you can discover them rapidly. In the house, workplace, or perhaps in your method can be every best area within net connections. If you objective to download and install the Basic Civil Engineering Tech Max, it is unconditionally easy then, in the past currently we extend the associate to purchase and create bargains to download and install Basic Civil Engineering Tech Max fittingly simple!

<https://py.bijouxmedusa.com/results/publication/index.jsp/Personal%20Finance%20Examples%20United%20States%2069%20825%20Personal%20Finance.pdf>

## **Table of Contents Basic Civil Engineering Tech Max**

1. Understanding the eBook Basic Civil Engineering Tech Max
  - The Rise of Digital Reading Basic Civil Engineering Tech Max
  - Advantages of eBooks Over Traditional Books
2. Identifying Basic Civil Engineering Tech Max
  - Exploring Different Genres
  - Considering Fiction vs. Non-Fiction
  - Determining Your Reading Goals
3. Choosing the Right eBook Platform
  - Popular eBook Platforms
  - Features to Look for in an Basic Civil Engineering Tech Max
  - User-Friendly Interface
4. Exploring eBook Recommendations from Basic Civil Engineering Tech Max
  - Personalized Recommendations
  - Basic Civil Engineering Tech Max User Reviews and Ratings

- Basic Civil Engineering Tech Max and Bestseller Lists
- 5. Accessing Basic Civil Engineering Tech Max Free and Paid eBooks
  - Basic Civil Engineering Tech Max Public Domain eBooks
  - Basic Civil Engineering Tech Max eBook Subscription Services
  - Basic Civil Engineering Tech Max Budget-Friendly Options
- 6. Navigating Basic Civil Engineering Tech Max eBook Formats
  - ePub, PDF, MOBI, and More
  - Basic Civil Engineering Tech Max Compatibility with Devices
  - Basic Civil Engineering Tech Max Enhanced eBook Features
- 7. Enhancing Your Reading Experience
  - Adjustable Fonts and Text Sizes of Basic Civil Engineering Tech Max
  - Highlighting and Note-Taking Basic Civil Engineering Tech Max
  - Interactive Elements Basic Civil Engineering Tech Max
- 8. Staying Engaged with Basic Civil Engineering Tech Max
  - Joining Online Reading Communities
  - Participating in Virtual Book Clubs
  - Following Authors and Publishers Basic Civil Engineering Tech Max
- 9. Balancing eBooks and Physical Books Basic Civil Engineering Tech Max
  - Benefits of a Digital Library
  - Creating a Diverse Reading Collection Basic Civil Engineering Tech Max
- 10. Overcoming Reading Challenges
  - Dealing with Digital Eye Strain
  - Minimizing Distractions
  - Managing Screen Time
- 11. Cultivating a Reading Routine Basic Civil Engineering Tech Max
  - Setting Reading Goals Basic Civil Engineering Tech Max
  - Carving Out Dedicated Reading Time
- 12. Sourcing Reliable Information of Basic Civil Engineering Tech Max
  - Fact-Checking eBook Content of Basic Civil Engineering Tech Max
  - Distinguishing Credible Sources

13. Promoting Lifelong Learning
  - Utilizing eBooks for Skill Development
  - Exploring Educational eBooks
14. Embracing eBook Trends
  - Integration of Multimedia Elements
  - Interactive and Gamified eBooks

### **Basic Civil Engineering Tech Max Introduction**

In the digital age, access to information has become easier than ever before. The ability to download Basic Civil Engineering Tech Max has revolutionized the way we consume written content. Whether you are a student looking for course material, an avid reader searching for your next favorite book, or a professional seeking research papers, the option to download Basic Civil Engineering Tech Max has opened up a world of possibilities. Downloading Basic Civil Engineering Tech Max provides numerous advantages over physical copies of books and documents. Firstly, it is incredibly convenient. Gone are the days of carrying around heavy textbooks or bulky folders filled with papers. With the click of a button, you can gain immediate access to valuable resources on any device. This convenience allows for efficient studying, researching, and reading on the go. Moreover, the cost-effective nature of downloading Basic Civil Engineering Tech Max has democratized knowledge. Traditional books and academic journals can be expensive, making it difficult for individuals with limited financial resources to access information. By offering free PDF downloads, publishers and authors are enabling a wider audience to benefit from their work. This inclusivity promotes equal opportunities for learning and personal growth. There are numerous websites and platforms where individuals can download Basic Civil Engineering Tech Max. These websites range from academic databases offering research papers and journals to online libraries with an expansive collection of books from various genres. Many authors and publishers also upload their work to specific websites, granting readers access to their content without any charge. These platforms not only provide access to existing literature but also serve as an excellent platform for undiscovered authors to share their work with the world. However, it is essential to be cautious while downloading Basic Civil Engineering Tech Max. Some websites may offer pirated or illegally obtained copies of copyrighted material. Engaging in such activities not only violates copyright laws but also undermines the efforts of authors, publishers, and researchers. To ensure ethical downloading, it is advisable to utilize reputable websites that prioritize the legal distribution of content. When downloading Basic Civil Engineering Tech Max, users should also consider the potential security risks associated with online platforms. Malicious actors may exploit vulnerabilities in unprotected websites to distribute malware or steal personal information. To protect themselves, individuals should ensure their devices have reliable antivirus software installed and

validate the legitimacy of the websites they are downloading from. In conclusion, the ability to download Basic Civil Engineering Tech Max has transformed the way we access information. With the convenience, cost-effectiveness, and accessibility it offers, free PDF downloads have become a popular choice for students, researchers, and book lovers worldwide. However, it is crucial to engage in ethical downloading practices and prioritize personal security when utilizing online platforms. By doing so, individuals can make the most of the vast array of free PDF resources available and embark on a journey of continuous learning and intellectual growth.

### **FAQs About Basic Civil Engineering Tech Max Books**

How do I know which eBook platform is the best for me? Finding the best eBook platform depends on your reading preferences and device compatibility. Research different platforms, read user reviews, and explore their features before making a choice. Are free eBooks of good quality? Yes, many reputable platforms offer high-quality free eBooks, including classics and public domain works. However, make sure to verify the source to ensure the eBook credibility. Can I read eBooks without an eReader? Absolutely! Most eBook platforms offer webbased readers or mobile apps that allow you to read eBooks on your computer, tablet, or smartphone. How do I avoid digital eye strain while reading eBooks? To prevent digital eye strain, take regular breaks, adjust the font size and background color, and ensure proper lighting while reading eBooks. What the advantage of interactive eBooks? Interactive eBooks incorporate multimedia elements, quizzes, and activities, enhancing the reader engagement and providing a more immersive learning experience. Basic Civil Engineering Tech Max is one of the best book in our library for free trial. We provide copy of Basic Civil Engineering Tech Max in digital format, so the resources that you find are reliable. There are also many Ebooks of related with Basic Civil Engineering Tech Max. Where to download Basic Civil Engineering Tech Max online for free? Are you looking for Basic Civil Engineering Tech Max PDF? This is definitely going to save you time and cash in something you should think about. If you trying to find then search around for online. Without a doubt there are numerous these available and many of them have the freedom. However without doubt you receive whatever you purchase. An alternate way to get ideas is always to check another Basic Civil Engineering Tech Max. This method for see exactly what may be included and adopt these ideas to your book. This site will almost certainly help you save time and effort, money and stress. If you are looking for free books then you really should consider finding to assist you try this. Several of Basic Civil Engineering Tech Max are for sale to free while some are payable. If you arent sure if the books you would like to download works with for usage along with your computer, it is possible to download free trials. The free guides make it easy for someone to free access online library for download books to your device. You can get free download on free trial for lots of books categories. Our library is the biggest of these that have literally hundreds of

thousands of different products categories represented. You will also see that there are specific sites catered to different product types or categories, brands or niches related with Basic Civil Engineering Tech Max. So depending on what exactly you are searching, you will be able to choose e books to suit your own need. Need to access completely for Campbell Biology Seventh Edition book? Access Ebook without any digging. And by having access to our ebook online or by storing it on your computer, you have convenient answers with Basic Civil Engineering Tech Max To get started finding Basic Civil Engineering Tech Max, you are right to find our website which has a comprehensive collection of books online. Our library is the biggest of these that have literally hundreds of thousands of different products represented. You will also see that there are specific sites catered to different categories or niches related with Basic Civil Engineering Tech Max So depending on what exactly you are searching, you will be able to choose ebook to suit your own need. Thank you for reading Basic Civil Engineering Tech Max. Maybe you have knowledge that, people have search numerous times for their favorite readings like this Basic Civil Engineering Tech Max, but end up in harmful downloads. Rather than reading a good book with a cup of coffee in the afternoon, instead they juggled with some harmful bugs inside their laptop. Basic Civil Engineering Tech Max is available in our book collection an online access to it is set as public so you can download it instantly. Our digital library spans in multiple locations, allowing you to get the most less latency time to download any of our books like this one. Merely said, Basic Civil Engineering Tech Max is universally compatible with any devices to read.

### **Find Basic Civil Engineering Tech Max :**

[personal finance examples United States 69-825 personal finance examples for small business 69-2877 ecommerce trends explained for small entrepreneurs 69-2520 remote jobs best practices for entrepreneurs interview tips tutorial America 69-1909 interview tips tutorial America 69-1376 self improvement tutorial United States 69-50 side hustles apps planning for beginners United States 69-2762 retirement planning guide 69-1224 AI marketing tips USA 69-1629 AI marketing tips for creators America 69-1809 side hustles apps United States 69-349 side hustles apps vehicles software for creators 69-2676 electric vehicles step by step small business 69-501 affiliate marketing case study United States 69-2923 Instagram growth ideas America 69-1659 Instagram growth ideas 69-2442 small business ideas strategies America 69-1428 small business wellness tools for small business 69-2535 mental wellness tutorial for](#)

*comparison for startups 69-1140 self improvement examples United States startups 69-2735 healthy recipes tutorial America 69-307 healthy recipes*

**Basic Civil Engineering Tech Max :**

**traduction en français exemples anglais reverso context** - May 31 2022

web mes leçons de français cp ce1 ce2 50 cartes mentales pour comprendre facilement la grammaire l orthographe la conjugaison et le vocabulaire 1 livret explicatif by

*mes leçons de français cp ce1 ce2 50 cartes mentales pour* - Jun 12 2023

web mes leçons de français 50 cartes mentales pour comprendre facilement la grammaire l orthographe et la conjugaison cm1 cm2 6e by eleaume lachaud stéphanie filf

**mes leçons de français 50 cartes mentales pour comprendre** - Sep 22 2021

**mes leçons de français 50 cartes mentales pour pdf** - Apr 10 2023

web cartes mentales chaque pack regroupe des cartes mentales pour différents sujets et différents niveaux le concept est toujours d organiser les mots dans un schéma et

**toutes les cartes mentales de conversation les zexperts fle** - Feb 08 2023

web scolaires 40 leçons présentées sous forme de cartes mentales 10 cartes jeux pour réviser les acquis en s amusant des explications simples pour retenir l essentiel 1 livret

*mes leçons de français cp ce1 ce2 50 cartes mentales pour* - Mar 29 2022

web lutin bazar maîtrise des langages outils et liens sélectionnés kobo ebooks audiobooks ereaders and reading apps mdpi s3 us west 2 aws cours de français pour débutants

*mes leçons de français 50 cartes mentales pour comprendre* - Nov 05 2022

web mes leçons de français 50 cartes mentales pour 1 mes leçons de français 50 cartes mentales pour 2021 07 27 griffith doyle formless chronicle books the

*mes leçons de français cp ce1 ce2 50 cartes mentales pour* - Jan 27 2022

web 2 mes leçons de français 50 cartes mentales pour 2020 02 25 preserved reproduced and made generally available to the public we appreciate your support of

*mes leçons de français 50 cartes mentales pour 2022* - Sep 03 2022

web mes leçons de français 50 cartes mentales pour is available in our digital library an online access to it is set as public so you can download it instantly our book servers

[mes leçons de français 50 cartes mentales pour comprendre](#) - Feb 25 2022

web mes leçons de français cp ce1 ce2 50 cartes mentales pour comprendre facilement la grammaire l orthographe la conjugaison et le vocabulaire 1 livret explicatif by

**mes leçons de français 50 cartes mentales pour download** - Oct 04 2022

web main pour aider vos enfants dans leurs apprentissages scolaires 40 leçons présentées sous forme de cartes mentales 10 cartes jeux pour réviser les acquis en s amusant

[mes leçons de français 50 cartes mentales pour comprendre](#) - Dec 06 2022

web right here we have countless ebook mes leçons de français 50 cartes mentales pour and collections to check out we additionally meet the expense of variant types and

[mes leçons de français cp ce1 ce2 50 cartes mentales pour](#) - Oct 24 2021

**les cartes mentales illustrées pour apprendre le** - Mar 09 2023

web ma carte mentale mes loisirs production écrite id 336728 language french school subject français langue Étrangère fle grade level 5<sup>o</sup> primaria age 9 12 main

[galileo banyanbotanicals com](#) - May 11 2023

web jun 12 2023 mes leçons de français 50 cartes mentales pour pdf recognizing the exaggeration ways to acquire this ebook mes leçons de français 50 cartes

[mes leçons de français 50 cartes mentales pour comprendre](#) - Aug 02 2022

web traduction de leçons en français the equivalent of twenty five 50 minute lessons are offered each week l équivalent de vingt cinq leçons de 50 minutes sont offerts chaque

**mes leçons de français cp ce1 ce2 50 cartes mentales pour** - Apr 29 2022

web stimulent les deux hémisphères du cerveau et favorisent la mise en lien des idées pour une meilleure compréhension et assimilation des informations télécharger mes leçons de

[mes leçons de français cp ce1 ce2 50 cartes mentales pour](#) - Dec 26 2021

web mes leçons de français cp ce1 ce2 50 cartes mentales pour comprendre facilement la grammaire l orthographe la conjugaison et le vocabulaire 1 livret explicatif by

**mes leçons de français 50 cartes mentales** - Aug 14 2023

web gaiement illustré vous offre des outils clé en main pour aider vos enfants dans leurs apprentissages scolaires 40 leçons présentées sous forme de cartes mentales 10

**mes leçons de français 50 cartes mentales pour** - Jul 01 2022

web fr mentaires en ligne mes leçons de français march 26th 2020 découvrez des mentaires utiles de client et des classements de mentaires pour mes leçons de français 50 cartes

*mes leçons de français 50 cartes mentales pour 2022* - Nov 24 2021

web scolaires 40 leçons présentées sous forme de cartes mentales 10 cartes jeux pour réviser les acquis en s amusant des explications simples pour retenir l essentiel 1 livret

**ma carte mentale mes loisirs worksheet liveworksheets com** - Jan 07 2023

web mes leçons de français 50 cartes mentales pour comprendre facilement la grammaire l orthographe et télécharger mes leçons de français 50 cartes mentales ap

mes leçons de français cp ce1 ce2 50 cartes mentales pour - Jul 13 2023

web des outils clé en main pour aider vos enfants dans leurs apprentissages scolaires 40 leçons présentées sous forme de cartes mentales 10 cartes jeux pour réviser les

*5 chansons qui vous feront voyager à cuba le mag voyageurs* - Jun 24 2022

web les instruments traditionnels de la musique cubaine salsa danzon son cubano rumba bolero cha cha cha mambo la musique afro cubaine est dominée par les

**les instruments traditionnels de la musique cubaine frederica** - Mar 22 2022

web des musiciens connus dans le monde entier aujourd'hui la musique cubaine et certains groupes et musiciens cubains sont reconnus internationalement le plus célèbre est

les grands classiques de la musique cubaine 79 cuban hits - Sep 27 2022

web lors de votre voyage à cuba la musique sera omniprésente une musique tonique unique qui donne instantanément irrésistiblement envie de se trémousser d onduler de

pourquoi la musique cubaine est faite pour être dansée - Aug 27 2022

web la musique cubaine fait partie intégrante de quotidien des habitants partir à sa découverte c est remonter cinq siècles d histoire elle est le résultat d un métissage magnifique

**musique cuba top 14 des meilleurs événements cap voyage** - Jan 20 2022

web nov 2 2023 que demande le texte la résolution a 78 l 5 a été présentée par cuba sous l intitulé la nécessité de mettre fin à l embargo économique commercial et financier

santiago auserón entregar la gobernabilidad a la burguesía - Sep 15 2021

cuba et la musique cuba découverte - Aug 07 2023

une section que nous ne pouvons manquer de mentionner est la présence des femmes dans le plus beau des arts À cuba la

reconnaissance des femmes dans toutes les facettes de la vie est très importante ce sont see more  
[trump compare les poursuites au régime cubain tout en](#) - Aug 15 2021

**cuba et musiques de cuba cubalatina** - Apr 03 2023

web cuba et la musique cubaine isabelle leymarie 1947 auteur édité par Éd du chêne paru en 1999 retrace l'histoire des divers genres musicaux de cuba et propose une

**son et musiques traditionnelles cubaines** - Feb 18 2022

web la musique cubaine le métissage et l'origine des cultures métissées domaine s le temps et le rythme temps fort temps faible contretemps le successif et le simultané

*sortie livre cuba une histoire de l'île par sa* - May 04 2023

web lors de votre voyage à cuba vous remarquerez que la musique est partout et que les cubains dansent sur tous les rythmes la musique est très variée rythmée et souvent

**voyage cuba musique cubaine evaneos** - Dec 19 2021

web 1 day ago santiago auserón zaragoza 1954 tiene algo de buhonero un poco de malabarista cuando quiere sabe ser también cuentacuentos y si se le deja espacio y

**la musique cubaine cuba linda** - Jun 05 2023

web oct 2 2023 la musique cubaine est un joyau musical qui a conquis le monde entier grâce à son rythme envoûtant et à sa diversité incomparable cette île des caraïbes a

**la musique cubaine cuba trésor** - Oct 09 2023

l'histoire de la musique cubaine est très difficile à résumer en quelques mots il vient des autochtones et des aréites passe par l'influence espagnole et africaine marquée qui est marquée par des racines notoires au son des tambours c'est sans aucun doute un trésor de la nation riche diversifié suggestif et see more

**a la découverte de la musique cubaine blog de planète** - May 24 2022

web c'est également la brique principale de la musique dite salsa que l'on écoute aujourd'hui ce chapitre est donc dédié au son ainsi qu'à ses origines et variantes le son est un

[musique cubaine wikipédia](#) - Sep 08 2023

À propos de la musique cubaine tout n'est pas dit ici c'est pourquoi nous faisons l'invitation lorsque vous visitez cuba vous pouvez en profiter see more

[les spécialités musicales de cuba](#) - Apr 22 2022

web sep 28 2022 de ses origines nébuleuses à la reconnaissance universelle dont elle jouit aujourd'hui la musique cubaine a

pris de l'ampleur et ses aspects folkloriques et

**musique cuba et la musique cubaine paris** - Feb 01 2023

web la musique cubaine c'est à juste titre que cuba est appelée l'île de la musique les cubains dont le cœur bat au rythme de genres divers dans les rues foyers et

**la musique cubaine racontée à la première personne** - Mar 02 2023

web 1 nov 2019 dayme arocena au pouls de cuba la chanteuse afro cubaine poursuit l'exploration de son île natale avec un troisième album annoncé pour la rentrée 12 juill

introduction à la musique cubaine musique cuba - Nov 29 2022

web feb 10 2021 voici en 4 points pourquoi la musique cubaine est tant appréciée et qu'on la danse aux 4 coins du monde musique cubaine musica bailable à cuba et

tout savoir sur la musique cubaine - Jul 06 2023

la musique cubaine est le résultat de la fusion entre la percussion africaine et la guitare espagnole cette fusion sera plus tard enrichie par d'autres instruments musicaux arrivés de l'amérique du sud tels les claves petits bâtons en bois et les maracas faites à partir des arbres typiques cubains appelés güiras le son genre musical né vers la fin du xix siècle constitue la base de pratiquement toute la musique cubaine contemporaine étant lui aussi le pr

voix et geste séquence 3 la musique cubaine 3e - Nov 17 2021

web 1 day ago les affirmations de m trump même si elles ne sont pas étayées semblent contribuer à renforcer sa position auprès des électeurs hispaniques dont beaucoup ont

**l'assemblée générale demande à nouveau à une écrasante** - Oct 17 2021

**musique cubaine toute l'actualité et les podcasts à écouter** - Dec 31 2022

web various artists les grands classiques de la musique cubaine 79 cuban hits chansons et paroles deezer Écoute les grands classiques de la musique cubaine 79 cuban

point de vue sur la musique cubaine du xxie siècle - Jul 26 2022

web la musique et la danse cubaines sont des arts reconnues et appréciés de par le monde cuba est par ailleurs un de ces pays où l'on peut assister à tous les spectacles

la musique cubaine cubasol - Oct 29 2022

web aug 10 2022 la musique cubaine entre ainsi dans le xxie siècle parcourant de nouveaux chemins explorant de nouvelles structures et comme l'ordonnent les temps

esercizio sulle basi degli spazi vettoriali 4 andrea minini - Feb 15 2022

web passo 1 verifico se i vettori  $v_1, v_2, \dots, v_n$  sono un insieme di generatori un insieme di vettori sono generatori dello spazio vettoriale se la loro combinazione lineare permette di generare qualsiasi altro vettore  $v = a_1 v_1 + a_2 v_2 + \dots + a_n v_n$  dello spazio vettoriale  $\mathbb{R}^n$

[esercizi sugli spazi vettoriali youmath](#) - Oct 06 2023

web may 16 2023 esercizi risolti sugli spazi vettoriali i dimostrare che  $\mathbb{R}^0$  è uno spazio vettoriale su  $\mathbb{R}$  rispetto alle operazioni di somma tra vettori e di prodotto di un vettore per uno scalare ii dimostrare che  $\mathbb{R}^3$  è uno spazio vettoriale su  $\mathbb{R}$  iii verificare che  $\mathbb{R}^3$  non è uno spazio vettoriale su  $\mathbb{R}$  rispetto alle seguenti operazioni

*esercizio su spazi vettoriali youmath* - Aug 24 2022

web esercizio su spazi vettoriali siano  $W_1, W_2, W_3$  sottospazi di  $\mathbb{R}^4$  verificare se essi sono sottospazi giustificando la risposta 2 in caso affermativo determinarne una base e una dimensione

**esercizi sulle basi degli spazi vettoriali andrea minini** - Aug 04 2023

web esercizi sulle basi degli spazi vettoriali alcuni esercizi sulle basi degli spazi vettoriali esercizio 1 trovare una base dello spazio vettoriale  $\mathbb{R}^3$  a partire da due vettori esercizio 2 trovare una base e la dimensione del sottospazio vettoriale  $W$  di  $\mathbb{R}^3$  esercizio 3 trovare una base dello spazio vettoriale  $\mathbb{R}^3$  a partire da due dati

**esercizi sulle basi di sottospazi vettoriali youmath** - Jun 02 2023

web may 16 2023 in questa pagina vi proponiamo una selezione di esercizi svolti su dimensione e base di sottospazi vettoriali di varia tipologia e con sottospazi di varia natura abbiamo scelto gli esercizi in modo da coprire le principali richieste da esame e ordinato le tracce in ordine di difficoltà crescente

*spazi vettoriali università degli studi di padova* - Sep 24 2022

web ci o signi ca che avremmo potuto omettere tale assioma dalla definizione di spazio vettoriale e dedurlo come conseguenza non ci addentriamo ulteriormente nell indagare l indipendenza degli assiomi e veri chiamo un altra propriet a generale degli spazi vettoriali osservazione sia  $V$  uno spazio vettoriale su  $K$  presi comunque  $v_1, v_2, \dots, v_n$  e  $c_1, c_2, \dots, c_n$  si

*spazio vettoriale youmath* - Feb 27 2023

web may 9 2023 uno spazio vettoriale è una struttura algebrica definita a partire da un insieme di vettori da un campo di scalari e da due operazioni binarie dette somma tra vettori e prodotto di un vettore per uno scalare che

**gli spazi vettoriali andrea minini personal knowledge base** - Oct 26 2022

web cos è uno spazio vettoriale uno spazio vettoriale su un campo  $K$  è un insieme non vuoto di vettori  $V$  dotato di due operazioni binarie addizione tra vettori e moltiplicazione di un vettore per uno scalare che soddisfano determinate proprietà e anche detto spazio lineare oppure  $K$  spazio vettoriale

[esercizio sulle basi degli spazi vettoriali 1 andrea minini](#) - May 21 2022

web esercizio sulle basi degli spazi vettoriali 1 nello spazio vettoriale  $v \in \mathbb{R}^3$  trovare una base che comprenda i vettori  $v_1 = (2, 1, 0)$  e  $v_2 = (1, 1, 3)$

*esercizio sulle basi degli spazi vettoriali 5 andrea minini - Mar 19 2022*

web esercizio sulle basi degli spazi vettoriali 5 nello spazio vettoriale  $v \in \mathbb{R}^3$  di dimensione  $\dim v = 3$  considero un sottospazio  $w \in \mathbb{R}^3$  composto dai vettori  $v_1 = (2, 0, 1)$ ,  $v_2 = (1, 1, 2)$ ,  $v_3 = (3, 1, 0)$  di  $v$  devo calcolare qual è la dimensione e la base del sottospazio  $w$  considero i vettori  $v_1, v_2, v_3$  dello spazio vettoriale  $v$

**esercizio 1 sui generatori dello spazio vettoriale andrea minini - Dec 28 2022**

web esercizio 1 sui generatori dello spazio vettoriale in questo esercizio devo verificare se un insieme di vettori di uno spazio vettoriale sono un sistema di generatori oppure no considero uno spazio vettoriale  $v$  nel campo dei numeri reali a due dimensioni  $\mathbb{R}^2$  il piano  $v \in \mathbb{R}^2$  e tre vettori dello spazio vettoriale

*primi esercizi su spazi vettoriali combinazioni lineari e dipendenza - Jun 21 2022*

web primi esercizi su spazi vettoriali combinazioni lineari e dipendenza lineare 1 dati i vettori  $v_1 = (0, 1, 2, 1, 3)$ ,  $v_2 = (1, 0, 1, 2, 5)$  determina le coordinate del vettore  $2v_1 - v_2$  se  $1, 2, 2, r$  determina le coordinate del vettore  $1v_1 - 2v_2$  per ognuna delle seguenti coppie di vettori  $v_1, v_2$  stabilisci se  $v_1, v_2$  appartengono alla stessa

esercizi su matrici e vettori matematica e fisica online - Jul 03 2023

web esercizi su matrici e vettori home esercizi di matematica esercizi algebra lineare in questa sezione dedicata agli esercizi su matrici e vettori proponiamo schede che riguardano richieste di varia natura nel contesto dell'algebra lineare

spazi vettoriali esercizi - Sep 05 2023

web spazi vettoriali esercizio 1 determinare se i seguenti sottoinsiemi sono sottospazi di dimostrazione l'insieme costituito dai vettori tali che poiché l'insieme delle soluzioni di una equazione lineare omogenea verifichiamo direttamente che un sottospazio di abbiamo un sottospazio di

laboratorio di matematica gli spazi vettoriali - Jan 29 2023

web gli spazi vettoriali esercitazione guidata con derivate calcoliamo le componenti e dei vettori  $u = (2, 1)$  appartenenti allo  $\mathbb{R}^2$  in modo che l'espressione  $2u + v$  valga  $r = (3, 2)$  determinati  $r$  e  $q$  tracciamo i grafici dei vettori  $2u + v$  e nel piano cartesiano  $r$  le coordinate  $e$

**esercizi sugli spazi vettoriali andrea minini - Mar 31 2023**

web esercizi sugli spazi vettoriali alcuni esercizi svolti sugli spazi vettoriali esercizio 1 esercizio 2 esercizio 3

spazi vettoriali introduzione e primi esempi youtube - Apr 19 2022

web dec 19 2016 share 278k views 6 years ago algebra lineare vettori e matrici vediamo cosa si intende per spazio vettoriale e diamo un'occhiata agli esempi più comuni di spazi vettoriali che tipicamente si

*esercizi sulla verifica per sottospazi vettoriali youmath - Nov 26 2022*

web may 16 2023 esercizi su matrici e vettori gli esercizi risolti sui sottospazi vettoriali che vi proponiamo in questa scheda sono corredati da svolgimenti completi ordinati per difficoltà crescente e tali da ricoprire le principali tipologie di tracce che possono presentarsi nei corsi universitari di algebra lineare

esercizi su vettori e operazioni tra vettori youmath - May 01 2023

web may 16 2023 esercizi risolti su vettori e operazioni tra vettori i sia  $v = x\mathbf{i} + y\mathbf{j}$  un vettore del piano quali valori devono assumere  $x$  e  $y$  affinché  $v$  abbia modulo 1 e formi un angolo di  $60^\circ$  con l'asse delle ascisse ii senza usare la formula dell'angolo tra vettori calcolare l'ampiezza dell'angolo che il vettore  $v$  fa con l'asse  $\mathbf{j}$

*spazi vettoriali sos matematica - Jul 23 2022*

web uno spazio vettoriale è un insieme  $V$  di elementi detti vettori in cui sono definite due operazioni dette addizione e la sottrazione tra vettori e moltiplicazione di un vettore per uno scalare cioè per un numero reale che soddisfano le seguenti proprietà proprietà commutativa dell'addizione tra vettori  $u + v = v + u$