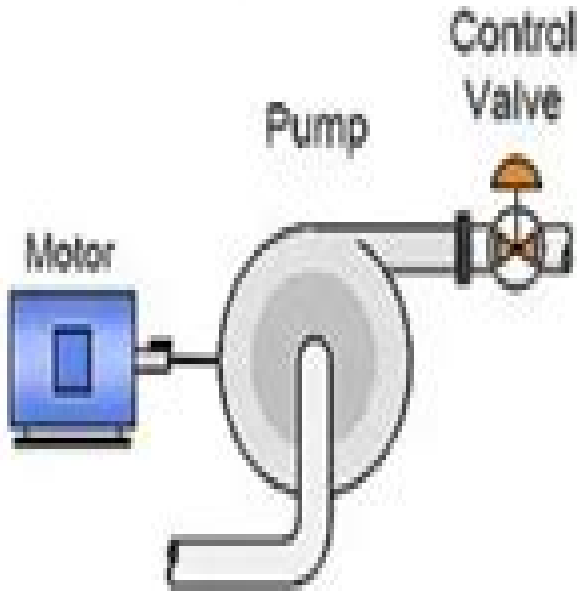
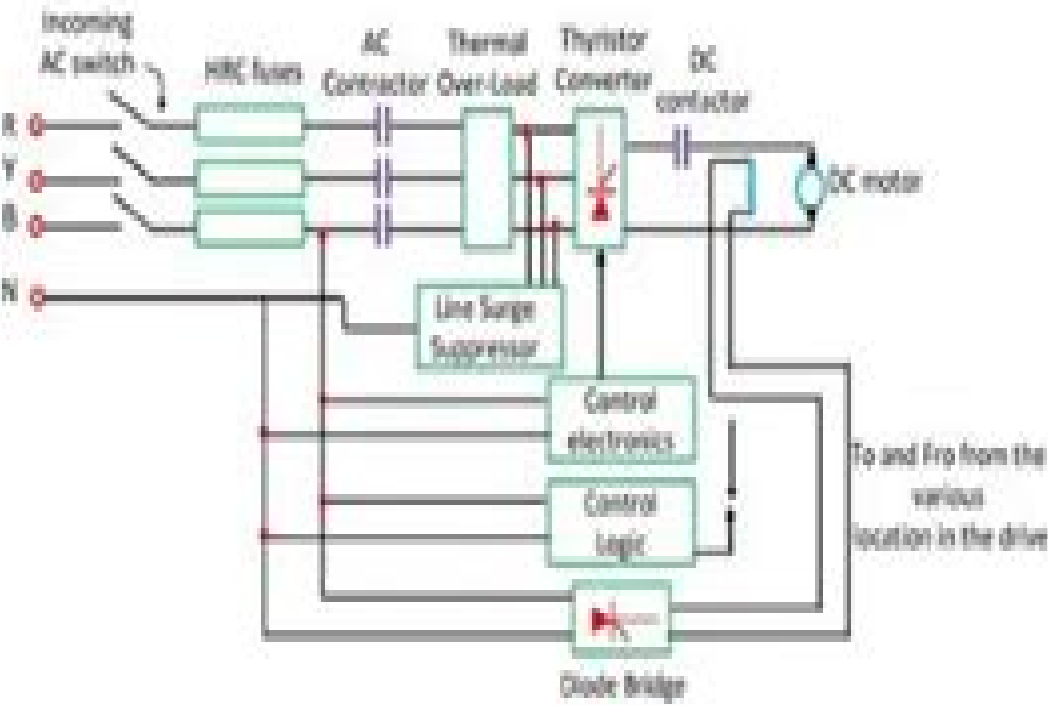
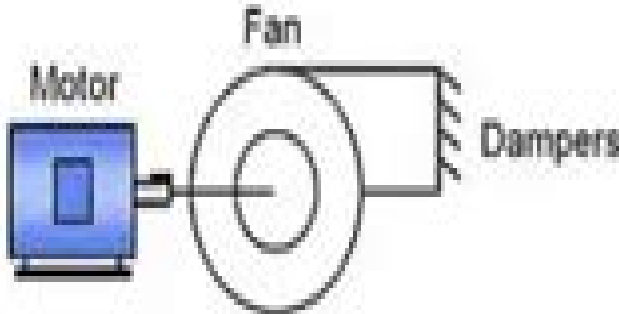


How Electrical Drives Are Controlled



Electrical 4 U

Basic Electrical Drives And Control

Werner Leonhard

A decorative graphic element consisting of a light blue horizontal bar with a rounded right end, and a red-to-white gradient semi-circle positioned behind the bar's end.

Basic Electrical Drives And Control:

Electrical Machine Drives Control Juha Pyrhonen,Valeria Hrabovcova,R. Scott Semken,2016-10-03 This comprehensive text examines existing and emerging electrical drive technologies The authors clearly define the most basic electrical drive concepts and go on to explain the most important details while maintaining a solid connection to the theory and design of the associated electrical machines Also including links to a number of industrial applications the authors take their investigation of electrical drives beyond theory to examine a number of practical aspects of electrical drive control and application Key features Provides a comprehensive summary of all aspects of controlled speed electrical drive technology including control and operation Handling of electrical drives is solidly linked to the theory and design of the associated electrical machines Added insight into problems and functions are illustrated with clearly understandable figures Offers an understanding of the main phenomena associated with electrical machine drives Considers the problem of bearing currents and voltage stresses of an electrical drive Includes up to date theory and design guidelines taking into account the most recent advances This book s rigorous coverage of theoretical principles and techniques makes for an excellent introduction to controlled speed electrical drive technologies for Electrical Engineering MSc or PhD students studying electrical drives It also serves as an excellent reference for practicing electrical engineers looking to carry out design analyses and development of controlled speed electrical drives

Electrical Machine Drives Control Juha Pyrhonen,Valeria Hrabovcova,R. Scott Semken,2016-11-14 This comprehensive text examines existing and emerging electrical drive technologies The authors clearly define the most basic electrical drive concepts and go on to explain the most important details while maintaining a solid connection to the theory and design of the associated electrical machines Also including links to a number of industrial applications the authors take their investigation of electrical drives beyond theory to examine a number of practical aspects of electrical drive control and application Key features Provides a comprehensive summary of all aspects of controlled speed electrical drive technology including control and operation Handling of electrical drives is solidly linked to the theory and design of the associated electrical machines Added insight into problems and functions are illustrated with clearly understandable figures Offers an understanding of the main phenomena associated with electrical machine drives Considers the problem of bearing currents and voltage stresses of an electrical drive Includes up to date theory and design guidelines taking into account the most recent advances This book s rigorous coverage of theoretical principles and techniques makes for an excellent introduction to controlled speed electrical drive technologies for Electrical Engineering MSc or PhD students studying electrical drives It also serves as an excellent reference for practicing electrical engineers looking to carry out design analyses and development of controlled speed electrical drives

Process Control Béla G. Lipták,2013-10-02 Instrument Engineers Handbook Third Edition Process Control provides information pertinent to control hardware including transmitters controllers control valves displays and computer systems This book presents the control theory and shows how

the unit processes of distillation and chemical reaction should be controlled Organized into eight chapters this edition begins with an overview of the method needed for the state of the art practice of process control This text then examines the relative merits of digital and analog displays and computers Other chapters consider the basic industrial annunciators and other alarm systems which consist of multiple individual alarm points that are connected to a trouble contact a logic module and a visual indicator This book discusses as well the data loggers available for process control applications The final chapter deals with the various pump control systems the features and designs of variable speed drives and the metering pumps This book is a valuable resource for engineers

Applied Control of Electrical Drives Duco W. J. Pulle, Pete Darnell, André Veltman, 2015-09-17 Provides an overall understanding of all aspects of AC electrical drives from the motor and converter to the implemented control algorithm with minimum mathematics needed Demonstrates how to implement and debug electrical drive systems using a set of dedicated hardware platforms motor setup and software tools in VisSim™ and PLECS™ No expert programming skills required allowing the reader to concentrate on drive development Enables the reader to undertake real time control of a safe low voltage and low cost experimental drive This book puts the fundamental and advanced concepts behind electric drives into practice Avoiding involved mathematics whenever practical this book shows the reader how to implement a range of modern day electrical drive concepts without requiring in depth programming skills It allows the user to build and run a series of AC drive concepts ranging from very basic drives to sophisticated sensorless drives Hence the book is the only modern resource available that bridges the gap between simulation and the actual experimental environment Engineers who need to implement an electrical drive or transition from sensed to sensorless drives as well as students who need to understand the practical aspects of working with electrical drives will greatly benefit from this unique reference

Control of Electrical Drives Werner Leonhard, 2012-12-06 Electrical drives play an important part as electromechanical energy converters in transportation materials handling and most production processes This book presents a unified treatment of complete electrical drive systems including the mechanical parts electrical machines and power converters and control Since it was first published in 1985 the book has found its way onto many desks in industry and universities all over the world For the second edition the text has been thoroughly revised and updated with the aim of offering the reader a general view of the field of controlled electrical drives which are maintaining and extending their importance as the most flexible source of controlled mechanical energy

Sliding Mode Control for Synchronous Electric Drives Sergey E. Ryvkin, Eduardo Palomar Lever, 2011-11-21 This volume presents the theory of control systems with sliding mode applied to electrical motors and power converters It demonstrates the methodology of control design and the original algorithms of control and observation Practically all semiconductor devices are used in power converters that feed electrical motors as power switches A switch

Instrument Engineers' Handbook, (Volume 2) Third Edition Bela G. Liptak, 1995-05-15 This third edition of the Instrument Engineers Handbook most complete and respected work on process

instrumentation and control helps you *Proceedings of the American Institute of Electrical Engineers* ,1925 Vols for 1887
1946 include the preprint pages of the institute s Transactions Transactions of the American Institute of Electrical
Engineers American Institute of Electrical Engineers,1926 List of members in v 7 15 17 19 20 **Journal of the American
Institute of Electrical Engineers** American Institute of Electrical Engineers,1925 Includes preprints of Transactions of the
American Institute of Electrical Engineers ISSN 0096 3860 *Practical Robot Design* Jagannathan Kanniah,M. Fikret
Ercan,Carlos A. Acosta Calderon,2013-10-17 Designed for beginners undergraduate students and robotics enthusiasts
Practical Robot Design Game Playing Robots is a comprehensive guide to the theory design and construction of game playing
robots Drawing on years of robot building and teaching experience the authors demonstrate the key steps of building a robot
from beginning to end wi Electrical Engineering ,1926 Vols for 1931 46 include the preprints of the Transactions of the
American Institute of Electrical Engineers ISSN 0096 3860 *Machinery* Lester Gray French,1927 **Machinery** Fred
Herbert Colvin,Lester Gray French,1926 **Fifth European Conference on Power Electronics and Applications** ,1993
Handbook of Automation, Computation, and Control: Systems and components Eugene Munter Grabbe,1961
Instrument Practice for Process Control and Automation ,1970-07 *Fundamentals of Electrical Drives* Gopal K.
Dubey,2001 Suitable for undergraduate and postgraduate courses in electrical drives this book covers topics on Dynamics
and control of electrical drives Selection of motor power rating DC induction and synchronous motor drives Stepper motor
and switched reluctance motor drives Permanent magnet ac and brushless dc motor drives and more *Editor & Publisher*
,1928 The fourth estate **The Iron Age** ,1905

Thank you very much for downloading **Basic Electrical Drives And Control**. As you may know, people have look numerous times for their chosen readings like this Basic Electrical Drives And Control, but end up in infectious downloads. Rather than reading a good book with a cup of coffee in the afternoon, instead they juggled with some malicious virus inside their laptop.

Basic Electrical Drives And Control is available in our digital library an online access to it is set as public so you can get it instantly.

Our digital library hosts in multiple locations, allowing you to get the most less latency time to download any of our books like this one.

Kindly say, the Basic Electrical Drives And Control is universally compatible with any devices to read

https://py.bijouxmedusa.com/About/book-search/default.aspx/English_Grammar_Exercises_Prepositions_With_Answers.pdf

Table of Contents Basic Electrical Drives And Control

1. Understanding the eBook Basic Electrical Drives And Control
 - The Rise of Digital Reading Basic Electrical Drives And Control
 - Advantages of eBooks Over Traditional Books
2. Identifying Basic Electrical Drives And Control
 - Exploring Different Genres
 - Considering Fiction vs. Non-Fiction
 - Determining Your Reading Goals
3. Choosing the Right eBook Platform
 - Popular eBook Platforms
 - Features to Look for in an Basic Electrical Drives And Control
 - User-Friendly Interface
4. Exploring eBook Recommendations from Basic Electrical Drives And Control
 - Personalized Recommendations

- Basic Electrical Drives And Control User Reviews and Ratings
- Basic Electrical Drives And Control and Bestseller Lists
- 5. Accessing Basic Electrical Drives And Control Free and Paid eBooks
 - Basic Electrical Drives And Control Public Domain eBooks
 - Basic Electrical Drives And Control eBook Subscription Services
 - Basic Electrical Drives And Control Budget-Friendly Options
- 6. Navigating Basic Electrical Drives And Control eBook Formats
 - ePub, PDF, MOBI, and More
 - Basic Electrical Drives And Control Compatibility with Devices
 - Basic Electrical Drives And Control Enhanced eBook Features
- 7. Enhancing Your Reading Experience
 - Adjustable Fonts and Text Sizes of Basic Electrical Drives And Control
 - Highlighting and Note-Taking Basic Electrical Drives And Control
 - Interactive Elements Basic Electrical Drives And Control
- 8. Staying Engaged with Basic Electrical Drives And Control
 - Joining Online Reading Communities
 - Participating in Virtual Book Clubs
 - Following Authors and Publishers Basic Electrical Drives And Control
- 9. Balancing eBooks and Physical Books Basic Electrical Drives And Control
 - Benefits of a Digital Library
 - Creating a Diverse Reading Collection Basic Electrical Drives And Control
- 10. Overcoming Reading Challenges
 - Dealing with Digital Eye Strain
 - Minimizing Distractions
 - Managing Screen Time
- 11. Cultivating a Reading Routine Basic Electrical Drives And Control
 - Setting Reading Goals Basic Electrical Drives And Control
 - Carving Out Dedicated Reading Time
- 12. Sourcing Reliable Information of Basic Electrical Drives And Control
 - Fact-Checking eBook Content of Basic Electrical Drives And Control

- Distinguishing Credible Sources
- 13. Promoting Lifelong Learning
 - Utilizing eBooks for Skill Development
 - Exploring Educational eBooks
- 14. Embracing eBook Trends
 - Integration of Multimedia Elements
 - Interactive and Gamified eBooks

Basic Electrical Drives And Control Introduction

In this digital age, the convenience of accessing information at our fingertips has become a necessity. Whether its research papers, eBooks, or user manuals, PDF files have become the preferred format for sharing and reading documents. However, the cost associated with purchasing PDF files can sometimes be a barrier for many individuals and organizations. Thankfully, there are numerous websites and platforms that allow users to download free PDF files legally. In this article, we will explore some of the best platforms to download free PDFs. One of the most popular platforms to download free PDF files is Project Gutenberg. This online library offers over 60,000 free eBooks that are in the public domain. From classic literature to historical documents, Project Gutenberg provides a wide range of PDF files that can be downloaded and enjoyed on various devices. The website is user-friendly and allows users to search for specific titles or browse through different categories. Another reliable platform for downloading Basic Electrical Drives And Control free PDF files is Open Library. With its vast collection of over 1 million eBooks, Open Library has something for every reader. The website offers a seamless experience by providing options to borrow or download PDF files. Users simply need to create a free account to access this treasure trove of knowledge. Open Library also allows users to contribute by uploading and sharing their own PDF files, making it a collaborative platform for book enthusiasts. For those interested in academic resources, there are websites dedicated to providing free PDFs of research papers and scientific articles. One such website is Academia.edu, which allows researchers and scholars to share their work with a global audience. Users can download PDF files of research papers, theses, and dissertations covering a wide range of subjects. Academia.edu also provides a platform for discussions and networking within the academic community. When it comes to downloading Basic Electrical Drives And Control free PDF files of magazines, brochures, and catalogs, Issuu is a popular choice. This digital publishing platform hosts a vast collection of publications from around the world. Users can search for specific titles or explore various categories and genres. Issuu offers a seamless reading experience with its user-friendly interface and allows users to download PDF files for offline reading. Apart from dedicated platforms, search engines also play a crucial role in finding free PDF files. Google, for instance, has an advanced

search feature that allows users to filter results by file type. By specifying the file type as "PDF," users can find websites that offer free PDF downloads on a specific topic. While downloading Basic Electrical Drives And Control free PDF files is convenient, its important to note that copyright laws must be respected. Always ensure that the PDF files you download are legally available for free. Many authors and publishers voluntarily provide free PDF versions of their work, but its essential to be cautious and verify the authenticity of the source before downloading Basic Electrical Drives And Control. In conclusion, the internet offers numerous platforms and websites that allow users to download free PDF files legally. Whether its classic literature, research papers, or magazines, there is something for everyone. The platforms mentioned in this article, such as Project Gutenberg, Open Library, Academia.edu, and Issuu, provide access to a vast collection of PDF files. However, users should always be cautious and verify the legality of the source before downloading Basic Electrical Drives And Control any PDF files. With these platforms, the world of PDF downloads is just a click away.

FAQs About Basic Electrical Drives And Control Books

What is a Basic Electrical Drives And Control PDF? A PDF (Portable Document Format) is a file format developed by Adobe that preserves the layout and formatting of a document, regardless of the software, hardware, or operating system used to view or print it. **How do I create a Basic Electrical Drives And Control PDF?** There are several ways to create a PDF: Use software like Adobe Acrobat, Microsoft Word, or Google Docs, which often have built-in PDF creation tools. Print to PDF: Many applications and operating systems have a "Print to PDF" option that allows you to save a document as a PDF file instead of printing it on paper. Online converters: There are various online tools that can convert different file types to PDF. **How do I edit a Basic Electrical Drives And Control PDF?** Editing a PDF can be done with software like Adobe Acrobat, which allows direct editing of text, images, and other elements within the PDF. Some free tools, like PDFescape or Smallpdf, also offer basic editing capabilities. **How do I convert a Basic Electrical Drives And Control PDF to another file format?** There are multiple ways to convert a PDF to another format: Use online converters like Smallpdf, Zamzar, or Adobe Acrobats export feature to convert PDFs to formats like Word, Excel, JPEG, etc. Software like Adobe Acrobat, Microsoft Word, or other PDF editors may have options to export or save PDFs in different formats. **How do I password-protect a Basic Electrical Drives And Control PDF?** Most PDF editing software allows you to add password protection. In Adobe Acrobat, for instance, you can go to "File" -> "Properties" -> "Security" to set a password to restrict access or editing capabilities. Are there any free alternatives to Adobe Acrobat for working with PDFs? Yes, there are many free alternatives for working with PDFs, such as: LibreOffice: Offers PDF editing features. PDFsam: Allows splitting, merging, and editing PDFs. Foxit Reader: Provides basic PDF viewing and editing capabilities. How do I compress a PDF file? You can use online

tools like Smallpdf, ILovePDF, or desktop software like Adobe Acrobat to compress PDF files without significant quality loss. Compression reduces the file size, making it easier to share and download. Can I fill out forms in a PDF file? Yes, most PDF viewers/editors like Adobe Acrobat, Preview (on Mac), or various online tools allow you to fill out forms in PDF files by selecting text fields and entering information. Are there any restrictions when working with PDFs? Some PDFs might have restrictions set by their creator, such as password protection, editing restrictions, or print restrictions. Breaking these restrictions might require specific software or tools, which may or may not be legal depending on the circumstances and local laws.

Find Basic Electrical Drives And Control :

[english grammar exercises prepositions with answers](#)

[elementary linear algebra 2nd edition nicholson pdf](#)

engine wiring diagram on a 2001 kia sportage

[emotional first aid](#)

engineering mathematics 7th edition by k a stroud march 082013

english for law enforcement answer key

[encyclopedia of spirits the ultimate guide to magic fairies genies demons ghosts gods amp goddesses judika illes](#)

[emojis para dibujar emoticonos para colorear adibujar com](#)

[engineering metallurgy by r a higgins pdf download](#)

[engineering graphics and design grade 10](#)

engineering mechanics statics dynamicsbook and 2 discs 7thbkdsk edition by hibbeler rc published by prentice hall hardcover

engineering mechanics val ivanoff

[elementary probability theory with stochastic processes](#)

embedded c interview questions answers

[engel-quantum-chemistry solutions](#)

Basic Electrical Drives And Control :

google Übersetzer google translate - Sep 16 2023

web Übersetzung mit diesem kostenlosen google dienst lassen sich wörter sätze und webseiten sofort zwischen deutsch und

über 100 sprachen übersetzen

deepl Übersetzer der präziseste Übersetzer der welt - Jun 13 2023

web millionen von menschen übersetzen täglich mit deepl beliebte sprachkombinationen englisch deutsch deutsch englisch und deutsch französisch weitere sprachen bulgarisch tschechisch dänisch griechisch englisch spanisch estnisch finnisch französisch ungarisch indonesisch italienisch japanisch koreanisch litauisch lettisch

spanisch deutsch leo org startseite - May 12 2023

web lernen sie die Übersetzung für suchwort in leos spanisch deutsch wörterbuch mit flexionstabellen der verschiedenen fälle und zeiten aussprache und relevante diskussionen kostenloser vokabeltrainer

google Übersetzer - Feb 09 2023

web Übersetzen sprache erkennen deutsch google startseite feedback geben datenschutzerklärung und nutzungsbedingungen

deutsch spanisch wörterbuch deutsch spanisch Übersetzung - Jul 02 2022

web ein Übersetzung deutsch spanisch für deutsch spanisch wörterbuch im pons online wörterbuch nachschlagen gratis vokabeltrainer verbtabellen aussprachefunktion

pons translations best german spanish translations online - Aug 03 2022

web german spanish the pons german spanish online dictionary is a free online resource for everybody look up a word or a phrase by typing it in the search box you can choose to search in both language directions or in just one direction

spanisch deutsch spanisch Übersetzung pons - Oct 05 2022

web Übersetzung deutsch spanisch für spanisch im pons online wörterbuch nachschlagen gratis vokabeltrainer verbtabellen aussprachefunktion

deutsch deutsch spanisch Übersetzung pons - Mar 30 2022

web Übersetzung deutsch spanisch für deutsch im pons online wörterbuch nachschlagen gratis vokabeltrainer verbtabellen aussprachefunktion

google translate - Apr 11 2023

web google s service offered free of charge instantly translates words phrases and web pages between english and over 100 other languages

pons Übersetzungen die nummer 1 für deutsch spanisch - Aug 15 2023

web das online wörterbuch deutsch spanisch von pons ist ein kostenloses online nachschlagewerk für alle suche ein wort oder einen satz indem du etwas in das suchfeld tippst du kannst auswählen ob du in beiden sprachrichtungen zugleich oder in einer bestimmten sprachrichtung suchen möchtest

online wörterbuch deutsch spanisch Übersetzung pons - Feb 26 2022

web online wörterbuch deutsch spanisch Übersetzung pons wörterbuch beispielsätze Übersetzungen für online wörterbuch im deutsch spanisch wörterbuch springe zu spanisch deutsch zur textübersetzung onlinewörterbuch online wörterbuch subst n t e s bücher onlinewörterbuch diccionario m en línea

leo Übersetzung im spanisch deutsch wörterbuch - Jan 08 2023

web werbung lernen sie die Übersetzung für in leos spanisch deutsch wörterbuch mit flexionstabellen der verschiedenen fälle und zeiten aussprache und relevante diskussionen kostenloser vokabeltrainer

langenscheidt deutsch spanisch wörterbuch Übersetzung - Sep 04 2022

web deutsch spanisch wörterbuch warum spanisch lernen Über 3 1 millionen europäer lernen heute die spanische sprache und sowohl ihr lernniveau als auch ihre anzahl steigen kontinuierlich um eine neue sprache zu lernen ist es unerlässlich ein wörterbuch zur hand zu nehmen

deepl Übersetzer der präziseste Übersetzer der welt deepl translate - Jul 14 2023

web millionen von menschen übersetzen täglich mit deepl beliebte sprachkombinationen englisch deutsch deutsch englisch und deutsch französisch weitere sprachen bulgarisch tschechisch dänisch griechisch englisch spanisch estnisch finnisch französisch ungarisch indonesisch italienisch japanisch koreanisch litauisch lettisch

pons deutsch spanisch Übersetzer - Dec 07 2022

web sprachkombinationen verwende den kostenlosen deutsch spanisch Übersetzer von pons Übersetze wörter sätze und texte sofort in 38 sprachen

von deutsch nach spanisch übersetzen mit deepl - Apr 30 2022

web wörterbuch klicken sie auf ein wort um es nachzuschlagen millionen von menschen übersetzen täglich mit deepl beliebte sprachkombinationen englisch deutsch französisch deutsch und spanisch deutsch weitere sprachen und ungarisch

deutsch spanisch Übersetzer cambridge - Nov 06 2022

web kostenloser deutsch zu spanisch Übersetzer mit audio Übersetzen sie wörter ausdrücke und sätze

linguee deutsch spanisch wörterbuch - Mar 10 2023

web kostenlos herunterladen finde eine spanisch Übersetzung in unserem deutsch spanisch wörterbuch und in weltweit 20 000 000 deutsch spanischen Übersetzungen anderer leute

deepl translate the world s most accurate translator - Jan 28 2022

web deepl translate the world s most accurate translator translate texts full document files instantly accurate translations for individuals and teams millions translate with deepl

spanisch leo Übersetzung im spanisch deutsch wörterbuch - Jun 01 2022

web lernen sie die Übersetzung für spanisch in leos spanisch deutsch wörterbuch mit flexionstabellen der verschiedenen fälle und zeiten aussprache und relevante diskussionen kostenloser vokabeltrainer

somewhere west side story piano youtube - Sep 05 2022

web sep 7 2010 disclosure i may earn a commission when you use one of my links to make a purchase sheets click
linksynergy com deeplink id zebo1botixu mid 1377

west side story america leonard bernstein musescore com - Mar 11 2023

web jul 24 2021 download and print in pdf or midi free sheet music for west side story by leonard bernstein arranged by fredipi for piano bass voice vocals satb west side story america leonard bernstein sheet music for piano bass voice vocals satb
west side story piano solo songbook klavier by carol klose - Feb 27 2022

web west side story piano solo songbook klavier by carol klose leonard bernstein story sheet music for flute clarinet west side story hal leonard online maria from west side story leonard bernstein piano solo west side story piano solo selections rapley felton west side story

0884088544492 west side story piano solo songbook klavier - Oct 06 2022

web west side story piano solo songbook klavier finden sie alle bücher von klose carol bei der büchersuchmaschine eurobuch com können sie antiquarische und neubücher vergleichen und sofort zum bestpreis bestellen 0884088544492 komponist bernstein leonard boosey hawkes new york taschenbuch

west side story piano selections klavier piano solo - Feb 10 2023

web west side story piano selections klavier piano solo selections rapley felton bernstein leonard isbn 9781495029660
kostenloser versand für alle bücher mit versand und verkauf duch amazon

mark klett west side story piano medley sheet music piano solo - Aug 04 2022

web print and download west side story piano medley sheet music by mark klett arranged for piano instrumental solo in f major sku mn0247996

noten von west side story sheet music direct - Jun 02 2022

web laden sie offizielle west side story noten arrangements für klavier gesang und gitarre herunter einschließlich somewhere tonight maria und mehr der kauf von west side story noten war noch nie so einfach sie können sie sofort herunterladen ausdrucken oder auf ihrem computer tablet oder smartphone anzeigen

free west side story by leonard bernstein sheet music - Aug 16 2023

web free west side story by leonard bernstein sheet music download pdf or print on musescore com time for summer time for music 90 off 00 20 47 view offer

west side story piano solo songbook klavier by carol klose - Dec 28 2021

web piano solo west side story instrumental solos arranged for cello west side story vocal sheet music amp more at sheet music plus sheet music downloads from west side story original west side story pdf free sheet music west side story 1 piano 4 hands by leonard be j w somewhere from west side story sheet music piano solo west side story

west side story sheet music downloads at musicnotes com - Jun 14 2023

web browse all west side story sheet music musicnotes features the world s largest online digital sheet music catalogue with over 400 000 arrangements available to print and play instantly shop our newest and most popular sheet music such as maria something s coming and somewhere or click the button above to browse all sheet music

west side story piano solo songbook klavier full pdf ci kubesail - May 01 2022

web piano solo songbook exciting solo piano arrangements with chord names of 23 beloved duke ellington songs including c jam blues caravan come sunday dancers in love do nothin till

west side story piano solo songbook hal leonard online - Jul 15 2023

web west side story series piano solo songbook composers leonard bernstein stephen sondheim arranger carol klose piano level intermediate intermediate piano solo arrangements of ten songs from this bernstein sondheim masterpiece america cha cha from the dance at the gym cool i feel pretty i have a love maria

west side story piano solo songbook klavier by carol klose - Jan 29 2022

web west side story piano solo songbook klavier by carol klose leonard bernstein maria from west side story leonard bernstein piano solo sheet music west side story piano solo

west side story piano solo songbook klavier piano solo songbook - May 13 2023

web west side story piano solo songbook klavier piano solo songbook intermediate piano klose carol bernstein leonard isbn 9781617742712 kostenloser versand für alle bücher mit versand und verkauf duch amazon

west side story medley sheet music for piano flute bassoon - Dec 08 2022

web aug 29 2018 download and print in pdf or midi free sheet music for west side story by leonard bernstein arranged by pippysqueaks for piano flute bassoon violin viola cello piano sextet west side story medley sheet music for piano flute bassoon violin more instruments piano sextet musescore com

west side story piano solo songbook klavier pdf full pdf - Mar 31 2022

web hal leonard corp 2013 piano solo songbook 70 songs from the great white way arranged in beautiful settings for piano solo includes any dream will do blue skies climb ev ry mountain defying gravity embraceable you i dreamed a dream luck be a lady maria new york new york over the rainbow send in the clowns

west side story piano solo songbook klavier by carol klose - Jul 03 2022

web this west side story piano solo songbook klavier by carol klose leonard bernstein as one of the most working sellers here

will thoroughly be paired with by the best alternatives to review browse the west side story piano solo songbook klavier by carol kloose leonard

[west side story von leonard bernstein klaviernoten](#) - Apr 12 2023

web leonard bernstein west side story piano solo songbook noten für klavier verlag boosey hawkes bestellnummer bh124649 jetzt online bestellen

west side story piano solo songbook amazon com - Nov 07 2022

web mar 21 2012 intermediate piano solo arrangements of ten songs from this bernstein sondheim masterpiece contents include america cha cha from the dance at the gym cool i feel pretty i have a love maria one hand one heart something s coming somewhere tonight

west side story medley sheet music for piano solo - Jan 09 2023

web may 29 2011 other sheet music by this artist symphonic dances from west side story piano solo i feel pretty mambo brass quintet west side story a boy like that i have a love leonard bernstein mambo west side story wip 2 11 18 overture to candide for clarinet quartet slava a political overture

9 047 top rapunzel picture sequence teaching resources twinkl - Sep 04 2022

web instant access to inspirational lesson plans schemes of work assessment interactive activities resource packs powerpoints teaching ideas at twinkl

rapunzel number sequencing puzzle teacher made twinkl - Jul 02 2022

web rapunzel story sequencing 4 per a4 rapunzel stick puppets rapunzel trace the words worksheet rapunzel story sequencing text box rapunzel editable speech bubbles rapunzel complete the pattern worksheets rapunzel story writing flap book rapunzel word and picture match rapunzel storyboard spot the difference activity

search printable sequencing event fairy tale worksheets - Dec 27 2021

web browse printable sequencing event fairy tale worksheets award winning educational materials designed to help kids succeed start for free now

[rapunzel story sequencing 4 per a4 teacher made twinkl](#) - Apr 11 2023

web a lovely set of multi use sequencing cards 4 per a4 for this story great for a variety of possible uses perfect for sticking in books if you like this and love rapunzel check out our lovely rapunzel drawing activity too

rapunzel story cards teacher made twinkl - Jan 08 2023

web these lovely a6 story cards are great for increasing and assessing familiarity with the main events in the story of rapunzel each card features a different paragraph from the story with a lovely hand drawn image to illustrate it

rapunzel story sequencing teaching resources tpt - Oct 05 2022

web based on the story rapunzel this product includes 9 hand drawn pictures with space for writing for the children to cut out sequence write about and colour in word bank and captions page for children who are sequencing the story and matching the description to the pictures rather than writing 9 pictures to cut out blank story map page to

rapunzel the brothers grimm story sequencing teacher - Jul 14 2023

web this lovely rapunzel story sequencing resource is a brilliant follow up for your little ones after they ve finished reading the famous fairy tale rapunzel by the brothers grimm the resource includes 17 beautifully illustrated slides that tell the story of rapunzel by the brothers grimm your little ones will have lots of fun arranging the

disney character rapunzel photos and premium high res pictures - Jan 28 2022

web browse getty images premium collection of high quality authentic disney character rapunzel stock photos royalty free images and pictures disney character rapunzel stock photos are available in a variety of sizes and formats to fit your needs

rapunzel the brothers grimm story sequencing teacher made - Aug 15 2023

web the resource includes 17 beautifully illustrated slides that tell the story of rapunzel by the brothers grimm your little ones will have lots of fun arranging the slides into the correct order to re tell the story

[rapunzel gallery disney wiki fandom](#) - Feb 26 2022

web taylor swift as rapunzel in the disney dream portrait series rapunzel as featured in princess fairytale hall in the magic kingdom rapunzel in it s a small world flynn rider and rapunzel in the boat in fairy tale forest at hong kong disneyland statue inside the castle of magical dreams

[rapunzel story sequencing worksheet kids academy](#) - Mar 10 2023

web placing story events in the correct order ensures that kids understand what they read boost your child s reading comprehension with this exciting rapunzel story sequencing worksheet while working kids view pictures from this well loved fairytale and number them in the correct order

3 233 top rapunzel sequencing cutout teaching resources - Dec 07 2022

web instant access to inspirational lesson plans schemes of work assessment interactive activities resource packs powerpoints teaching ideas at twinkl

4 487 top rapunzel sequencing teaching resources twinkl - Aug 03 2022

web explore more than 4 487 rapunzel sequencing resources for teachers parents and pupils as well as related resources on rapunzel

rapunzel teaching resources story sack printables - Jun 13 2023

web rapunzel story visual aids sb3675 a set of a4 size printable visual aids for use when telling the story of rapunzel it includes pictures of the characters and large text to aid participation can also be printed for use on classroom displays or

laminated for story sequencing activities

[rapunzel story sequencing 4 per a4 profesor hizo twinkl](#) - Mar 30 2022

web a lovely set of multi use sequencing cards 4 per a4 for this story great for a variety of possible uses perfect for sticking in books if you like this and love rapunzel check out our lovely rapunzel drawing activity too

4 723 top sequencing rapunzal teaching resources twinkl - Apr 30 2022

web instant access to inspirational lesson plans schemes of work assessment interactive activities resource packs powerpoints teaching ideas at twinkl

rapunzel story sequencing l enseignant a fait twinkl - Jun 01 2022

web featuring lovely hand drawn images of the different scenes with the full story in text your children have the opportunity to practise putting the story in order before telling it themselves why not try our brilliant rapunzel audio narrated story

[rapunzel writing task cut sequence and write to retell the story](#) - Feb 09 2023

web nov 9 2022 based on the story rapunzel this product includes 9 hand drawn pictures with space for writing for the children to cut out sequence write about and colour in word bank and captions page for children who are sequencing the story and matching the description to the pictures rather than writing 9 pictures to cut out

[rapunzel sequencing sheets sb12036 sparklebox](#) - May 12 2023

web description a set of simple black and white pictures 4 to a page which can be cut out and sequenced alternatively they can be used as stimulus for children s own written retelling of the story

rapunzel sequencing pictures free printable pdf for kids - Nov 06 2022

web long haired rapunzel nice smirk catchy hair color avatar of rapunzel the girl s stern face lovely blonde greenish chameleon pascal cartoon picture of rapunzel for profile picture pink hair color cool girl rapunzel in the tower a beautiful green eyed girl chameleon on the shoulder beautiful cartoon character sweet rapunzel on avu