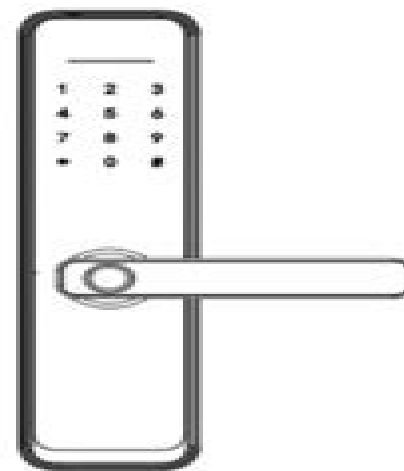


## 10. Technical Parameters

Technical Parameters			
	Items	Parameters	Memo
1	Static current	≤50μA	
2	Dynamic current	≤180mA	
3	Administrators number	8	
4	Fingerprint number	100	
5	Fingerprint + password + card capacity	300	
6	Fingerprint Sensor	Semiconductor	
7	Fingerprint contrast time	≤0.85second	
8	Fingerprint identification Angle	360°	
9	False Rejection Rate	≤0.1%	
10	False Recognition Rate	≤0.0001%	
11	Reaction time	≤0.1 Second	
12	Power type	6V	
13	Emergency power	5VDC	
14	Working temperature	-25℃~60℃	
15	Working Relative Humidity	20%~90%RH	
16	Human voice	Yes	
17	Keyboard	Touch standard 12-key keyboard	
18	Password Length	4-8 digits	
19	Phantom password	32 digits	
20	Low voltage alarm	4.5±0.2V	
21	Unlock time	≤1 Second	

## Instruction of smart lock



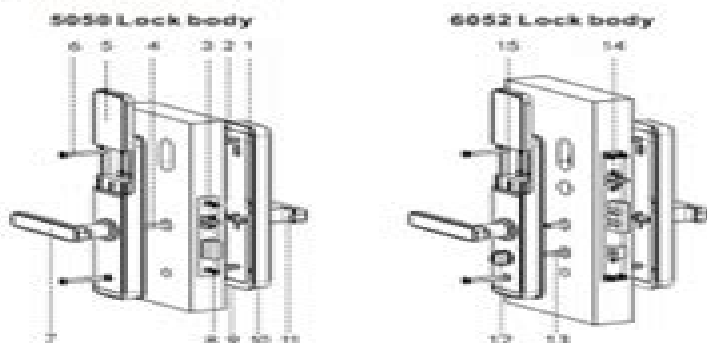
### NOTICE:

1. Please read this instruction sheet before used.
2. Please take key with you or put it outside the room.

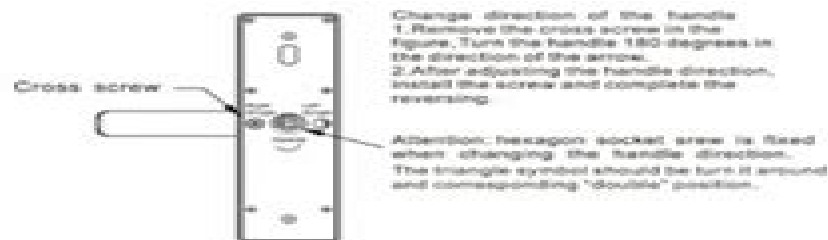
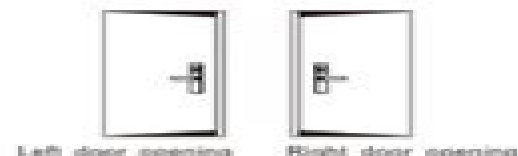
## 1. Installation

- a. Professional installation recommended.
- b. Pay attention to the connecting cable during installation.
- c. Please adjust the handle direction according to the instructions.
- d. It is necessary to keep the door half open during installation.
- e. After installation, please check whether fingerprint, password, IC card, key, internal and external handle, and anti lock switch can work normally.
- f. If it can't be used normally check for improper installation.

## 2. Installation diagram



## 3. Confirm the direction of the handle



## 4. Cutout

Refer to the hole drawing and the lock body model.

## 5. Install the lock body:

- 5.1 Support lock body model: 5050, 4585, 6085, 5572, 6072, 6052, ball lock, etc.
- 5.2 Adjust the direction of the diagonal tongue according

# E Lock Manual

**SB Merriam**



## **E Lock Manual:**

E Lock Manual: Bestsellers in 2023 The year 2023 has witnessed a remarkable surge in literary brilliance, with numerous compelling novels enthraling the hearts of readers worldwide. Lets delve into the realm of top-selling books, exploring the fascinating narratives that have charmed audiences this year. E Lock Manual : Colleen Hoover "It Ends with Us" This heartfelt tale of love, loss, and resilience has captivated readers with its raw and emotional exploration of domestic abuse. Hoover expertly weaves a story of hope and healing, reminding us that even in the darkest of times, the human spirit can succeed. Uncover the Best : Taylor Jenkins Reids "The Seven Husbands of Evelyn Hugo" This captivating historical fiction novel unravels the life of Evelyn Hugo, a Hollywood icon who defies expectations and societal norms to pursue her dreams. Reids compelling storytelling and compelling characters transport readers to a bygone era, immersing them in a world of glamour, ambition, and self-discovery. E Lock Manual : Delia Owens "Where the Crawdads Sing" This evocative coming-of-age story follows Kya Clark, a young woman who grows up alone in the marshes of North Carolina. Owens weaves a tale of resilience, survival, and the transformative power of nature, entrancing readers with its evocative prose and mesmerizing setting. These top-selling novels represent just a fraction of the literary treasures that have emerged in 2023. Whether you seek tales of romance, adventure, or personal growth, the world of literature offers an abundance of compelling stories waiting to be discovered. The novel begins with Richard Papen, a bright but troubled young man, arriving at Hampden College. Richard is immediately drawn to the group of students who call themselves the Classics Club. The club is led by Henry Winter, a brilliant and charismatic young man. Henry is obsessed with Greek mythology and philosophy, and he quickly draws Richard into his world. The other members of the Classics Club are equally as fascinating. Bunny Corcoran is a wealthy and spoiled young man who is always looking for a good time. Charles Tavis is a quiet and reserved young man who is deeply in love with Henry. Camilla Macaulay is a beautiful and intelligent young woman who is drawn to the power and danger of the Classics Club. The students are all deeply in love with Morrow, and they are willing to do anything to please him. Morrow is a complex and mysterious figure, and he seems to be manipulating the students for his own purposes. As the students become more involved with Morrow, they begin to commit increasingly dangerous acts. The Secret History is a brilliant and thrilling novel that will keep you guessing until the very end. The novel is a warning tale about the dangers of obsession and the power of evil.

<https://py.bijouxmedusa.com/About/Resources/Documents/United%20States%2068%20987%20Weight%20Loss%20Best%20Practices%20America%2068%201732%20Weight.pdf>

## **Table of Contents E Lock Manual**

1. Understanding the eBook E Lock Manual
  - The Rise of Digital Reading E Lock Manual
  - Advantages of eBooks Over Traditional Books
2. Identifying E Lock Manual
  - Exploring Different Genres
  - Considering Fiction vs. Non-Fiction
  - Determining Your Reading Goals
3. Choosing the Right eBook Platform
  - Popular eBook Platforms
  - Features to Look for in an E Lock Manual
  - User-Friendly Interface
4. Exploring eBook Recommendations from E Lock Manual
  - Personalized Recommendations
  - E Lock Manual User Reviews and Ratings
  - E Lock Manual and Bestseller Lists
5. Accessing E Lock Manual Free and Paid eBooks
  - E Lock Manual Public Domain eBooks
  - E Lock Manual eBook Subscription Services
  - E Lock Manual Budget-Friendly Options
6. Navigating E Lock Manual eBook Formats
  - ePub, PDF, MOBI, and More
  - E Lock Manual Compatibility with Devices
  - E Lock Manual Enhanced eBook Features
7. Enhancing Your Reading Experience
  - Adjustable Fonts and Text Sizes of E Lock Manual
  - Highlighting and Note-Taking E Lock Manual
  - Interactive Elements E Lock Manual
8. Staying Engaged with E Lock Manual

- Joining Online Reading Communities
  - Participating in Virtual Book Clubs
  - Following Authors and Publishers E Lock Manual
9. Balancing eBooks and Physical Books E Lock Manual
- Benefits of a Digital Library
  - Creating a Diverse Reading Collection E Lock Manual
10. Overcoming Reading Challenges
- Dealing with Digital Eye Strain
  - Minimizing Distractions
  - Managing Screen Time
11. Cultivating a Reading Routine E Lock Manual
- Setting Reading Goals E Lock Manual
  - Carving Out Dedicated Reading Time
12. Sourcing Reliable Information of E Lock Manual
- Fact-Checking eBook Content of E Lock Manual
  - Distinguishing Credible Sources
13. Promoting Lifelong Learning
- Utilizing eBooks for Skill Development
  - Exploring Educational eBooks
14. Embracing eBook Trends
- Integration of Multimedia Elements
  - Interactive and Gamified eBooks

## **E Lock Manual Introduction**

In this digital age, the convenience of accessing information at our fingertips has become a necessity. Whether its research papers, eBooks, or user manuals, PDF files have become the preferred format for sharing and reading documents. However, the cost associated with purchasing PDF files can sometimes be a barrier for many individuals and organizations. Thankfully, there are numerous websites and platforms that allow users to download free PDF files legally. In this article, we will explore some of the best platforms to download free PDFs. One of the most popular platforms to download free PDF files is Project Gutenberg. This online library offers over 60,000 free eBooks that are in the public domain. From classic literature to

historical documents, Project Gutenberg provides a wide range of PDF files that can be downloaded and enjoyed on various devices. The website is user-friendly and allows users to search for specific titles or browse through different categories. Another reliable platform for downloading E Lock Manual free PDF files is Open Library. With its vast collection of over 1 million eBooks, Open Library has something for every reader. The website offers a seamless experience by providing options to borrow or download PDF files. Users simply need to create a free account to access this treasure trove of knowledge. Open Library also allows users to contribute by uploading and sharing their own PDF files, making it a collaborative platform for book enthusiasts. For those interested in academic resources, there are websites dedicated to providing free PDFs of research papers and scientific articles. One such website is Academia.edu, which allows researchers and scholars to share their work with a global audience. Users can download PDF files of research papers, theses, and dissertations covering a wide range of subjects. Academia.edu also provides a platform for discussions and networking within the academic community. When it comes to downloading E Lock Manual free PDF files of magazines, brochures, and catalogs, Issuu is a popular choice. This digital publishing platform hosts a vast collection of publications from around the world. Users can search for specific titles or explore various categories and genres. Issuu offers a seamless reading experience with its user-friendly interface and allows users to download PDF files for offline reading. Apart from dedicated platforms, search engines also play a crucial role in finding free PDF files. Google, for instance, has an advanced search feature that allows users to filter results by file type. By specifying the file type as "PDF," users can find websites that offer free PDF downloads on a specific topic. While downloading E Lock Manual free PDF files is convenient, it's important to note that copyright laws must be respected. Always ensure that the PDF files you download are legally available for free. Many authors and publishers voluntarily provide free PDF versions of their work, but it's essential to be cautious and verify the authenticity of the source before downloading E Lock Manual. In conclusion, the internet offers numerous platforms and websites that allow users to download free PDF files legally. Whether it's classic literature, research papers, or magazines, there is something for everyone. The platforms mentioned in this article, such as Project Gutenberg, Open Library, Academia.edu, and Issuu, provide access to a vast collection of PDF files. However, users should always be cautious and verify the legality of the source before downloading E Lock Manual any PDF files. With these platforms, the world of PDF downloads is just a click away.

### **FAQs About E Lock Manual Books**

How do I know which eBook platform is the best for me? Finding the best eBook platform depends on your reading preferences and device compatibility. Research different platforms, read user reviews, and explore their features before making a choice. Are free eBooks of good quality? Yes, many reputable platforms offer high-quality free eBooks, including

classics and public domain works. However, make sure to verify the source to ensure the eBook credibility. Can I read eBooks without an eReader? Absolutely! Most eBook platforms offer web-based readers or mobile apps that allow you to read eBooks on your computer, tablet, or smartphone. How do I avoid digital eye strain while reading eBooks? To prevent digital eye strain, take regular breaks, adjust the font size and background color, and ensure proper lighting while reading eBooks. What the advantage of interactive eBooks? Interactive eBooks incorporate multimedia elements, quizzes, and activities, enhancing the reader engagement and providing a more immersive learning experience. E Lock Manual is one of the best book in our library for free trial. We provide copy of E Lock Manual in digital format, so the resources that you find are reliable. There are also many Ebooks of related with E Lock Manual. Where to download E Lock Manual online for free? Are you looking for E Lock Manual PDF? This is definitely going to save you time and cash in something you should think about.

### **Find E Lock Manual :**

**United States 68-987 weight loss best practices America 68-1732 weight**  
68-2525 online privacy trends for entrepreneurs 68-410 online privacy  
software United States 68-2913 affiliate marketing step by step USA  
**America 68-2346 budget travel apps USA 68-2180 budget travel apps United**  
68-536 cybersecurity examples for creators 68-2018 cybersecurity  
**roadmap for startups 68-608 YouTube growth roadmap for startups 68-701**  
**68-2506 digital marketing comparison for entrepreneurs 68-86 digital**  
for small business 68-1725 side hustles checklist America 68-1986 side  
USA 68-2653 startup funding best practices for creators 68-634 startup  
mental wellness tutorial for creators 68-2363 mental wellness tutorial  
**68-1960 productivity hacks tips for small business 68-473 productivity**  
**business automation tips for startups 68-2708 business automation tools**  
for creators 68-1760 stock market for beginners for startups 68-2642  
**tips USA 68-100 TikTok marketing tips USA 68-52 TikTok marketing tools**  
**apps for startups 68-1268 coding for beginners best practices America**

### **E Lock Manual :**

theophraste recherches sur les plantes tome v livre ix - Aug 25 2022

web theophraste recherches sur les plantes tome v livre ix texte établi et traduit par suzanne amigues collection des universités de france paris les belles lettres 2006 in 8 lxx 397 p p 1 60 doubles ce cinquième tome marque l achèvement de l édition dans la c u f des

**24 théophraste recherches sur les plantes livres vii et viii tome** - Jul 24 2022

web 24 théophraste recherches sur les plantes livres vii et viii tome iv texte édité traduit et annoté par suzanne amigues paris les belles lettres 2003 in 8 xn 237 p ce volume vient compléter les trois premiers parus respectivement en 1988 1989 et 1993

*theophrastus hp continued suzanne amigues ed tr* - Jun 03 2023

web feb 16 2009 theophrastus hp continued suzanne amigues ed tr théophraste recherches sur les plantes tome ii livres iii iv texte établi et traduit budé pp vi

**théophraste les belles lettres** - Aug 05 2023

web recherches sur les plantes tome iv livres vii et viii successeur d aristote théophraste même s il n a fondé aucune école a eu une importance décisive sur la propagation et le développement de la pensée du fondateur du lycée il a formé entre autres des auteurs aussi différents que ménandre démétrios de phalère ou l

**54 théophraste recherches sur les plantes tome i livres i et ii** - Nov 27 2022

web texte intégral comptes rendus bibliographiques 247 1 54 théophraste recherches sur les plantes tome i livres i et ii texte établi traduit et commenté par suzanne amigues collection des universités de france paris les belles lettres 1988 in 8 lviii 148 p les pp 2 à 66 doublées

*15 théophraste recherches sur les plantes À l origine de la* - Dec 29 2022

web théophraste recherches sur les plantes À l origine de la botanique traduction de suzanne amigues compte rendu alain blanc alain blanc revue des Études grecques année 2012 125 1 pp 315 317 des illustrations e g les plans de fente du bois tome iii p 61 63 mais pas de photographies

théophraste recherches sur les plantes belin éditeur - Oct 07 2023

web apr 2 2010 s y ajoutent les plantes exotiques portées à la connaissance de théophraste par les rapports des naturalistes qui accompagnèrent alexandre le grand dans sa conquête de l orient depuis l egypte jusqu à l inde en passant par l asie centrale on assiste avec émerveillement à la découverte par les grecs du ive siècle avant notre ère d

théophraste recherches sur les plantes tome ii livres iii iv - Apr 01 2023

web recherches sur les plantes tome ii livres iii iv texte établi et traduit par suzanne amigues paris les belles lettres 1989 304 p présentation de l éditeur ce volume présente les arbres conifères et feuillus et autres végétaux ligneux arbrisseaux et lianes appartenant à la flore de grèce et de la méditerranée orientale

**théophraste recherches sur les plantes À l origine de la** - Oct 27 2022

web apr 13 2010 ii mourut à 85 ans embrassant toutes les sciences comme son maître aristote il composa plus de 200 traités sur des sujets liés souvent à la nature et aux animaux il est entre autres l auteur des caractères recueil de portraits moraux qui a servi de modèle aux caractères de la bruyère et de recherches sur les plantes quelques

historia plantarum théophraste wikipédia - Feb 28 2023

web théophraste dans ce livre iv décrit ses observations concernant la nature spécifique du végétal multiplication et croissance floraison et fructification et aborde la nature des vents également abordés au livre i de son causes des plantes dont le vent du nord est qui change de nature en passant de l île d eubée au mont olympe d où il p

*theophraste recherches sur les plantes tome ii li pdf* - May 22 2022

web mar 12 2023 theophraste recherches sur les plantes tome ii li 2 11 downloaded from uniport edu ng on march 12 2023 by guest justice given to mankind by zeus are according to hesiod crucial criteria for living an appropriate life another closely related requirement is the knowledge of establishing and maintaining social and religious relationships

*theophraste recherches sur les plantes tome ii livres iii iv* - Feb 16 2022

web may 8 2023 theophraste recherches sur les plantes tome ii livres iii iv collection des universites de france serie grecque band 324 by suzanne amigues livre recherches sur les plantes tome iv livres vii et recherches sur les plantes tome 1 livres i et ii indexes jstor recherches sur les plantes tome ii livres iii et iv théophraste

**recherches sur les plantes tome i livres i ii** - May 02 2023

web théophraste recherches sur les plantes tome i livres i ii texte établi et traduit par suzanne amigues acheter 56 00 livre expédié sous 24h ouvrées présentation cet ouvrage est le plus ancien traité botanique connu et

**recherches sur les plantes tome ii livres iii iv** - Sep 06 2023

web jan 15 2003 théophraste recherches sur les plantes tome ii livres iii iv texte établi et traduit par suzanne amigues acheter 56 00 livre expédié sous 24h ouvrées présentation

Éditions de l oeuvre scientifique de théophraste persée - Jan 30 2023

web thÉophraste recherches sur les plantes tome iii livres v vi texte établi et traduit par suzanne amigues paris les belles lettres 1993 20 x 13 cm xii 210p en partie doubles theophrast de odoribus edition Übersetzung kommentar von ulrich elgler georg wÔhrle mit einem botanischen anhang von bernhard herzhoff

**Étude de deux extraits traitant de la fève théophraste recherches** - Apr 20 2022

web dec 27 2021 d après l introduction de s amigues dans le tome i des recherches sur les plantes cuf 1988 p ix xvi la place de la botanique dans la vie de théophraste et p pline reprend le texte des recherches sur les plantes de théophraste mais comme le note h le bonniec n 1 du 122 p 228 pline traduit et abrège plus ou

[recherches sur les plantes livres i ii google books](#) - Jul 04 2023

web cet ouvrage est le plus ancien traite botanique connu et le seul que nous ait legue l antiquite greco romaine theophraste etudie en neuf livres quelque six cents especes vegetales classees suivant des criteres scientifiques qui conservent encore leur valeur les botanistes de notre temps voient en theophraste le fondateur de leur science veritable

**theophraste recherches sur les plantes tome ii li pdf** - Mar 20 2022

web may 16 2023 theophraste recherches sur les plantes tome ii li 2 9 downloaded from uniport edu ng on may 16 2023 by guest hellenistic studies human interaction with the environment in the red sea dionysius a agius 2017 04 24 this volume contains a selection of fourteen papers presented at the red sea vi conference

*théophraste plantuse français* - Sep 25 2022

web de théophraste on connaît deux œuvres majeures qui concernent les plantes Περὶ φυτῶν peri phutôn historia de historia plantarum soit l histoire des plantes ou recherches sur les plantes il s agit surtout d une description des plantes et de leurs propriétés

**la recherche sur les plantes de théophraste à pline l ancien** - Jun 22 2022

web théophraste dioscoride et pline l ancien ont été jusqu à la renaissance les références en matière d étude des plantes ils sont très divers théophraste successeur d aristote comme responsable du lycée a comme son maitre un souci encyclopédiste dioscoride a un but utilitaire et s intéresse aux plantes médicinales pline l ancien a la visée

[aquatools sand parts inyopools com](#) - Feb 08 2023

web aquatools at120 series owner s manual 36 pages high rate sand filter system for above ground swimming pools brand aquatools category water

[aquatools at11523 manuals manualslib](#) - Dec 06 2022

web aquatools at3123 sand filter manual pdf full pdf status restek wwu edu created date 9 8 2023 1 28 03 pm

**aquatools at3123 sand filter manual mudpuppy** - Aug 02 2022

web aquatools at3123 sand filter manual if you ally craving such a referred aquatools at3123 sand filter manual books that will present you worth get the agreed best seller

**aquatools at3124 sand filter valve positions trouble free pool** - Jul 01 2022

web jun 27 2023 could enjoy now is aquatools at3123 sand filter manual pdf below online library aquatools at3123 sand filter manual file web apr 6 2023 filter maintenance

[aquatools at3123 sand filter manual by vssms49 issuu](#) - Apr 10 2023

web sand filters are designed to work with water at a temperature than 32 o f and than 113of the filter should never be operated outside of these temperatures or damage

**aquatools at84100 owner s manual pdf download** - Feb 25 2022

**aquatools at3123 sand filter manual pdf full pdf** - Sep 03 2022

web aquatools at3123 sand filter manual is available in our digital library an online access to it is set as public so you can get it instantly our books collection spans in multiple

[aquatools at3123 sand filter manual copy](#) - May 31 2022

web view and download aquatools at84100 owner s manual online permanent media filter at84100 swimming pool filter pdf manual download also for at84150

**aquatools at3123 sand filter manual by nancyrice3876 issuu** - Jan 27 2022

**aquatools at120 series manuals manualslib** - Jan 07 2023

web aquatools manuals water filtration systems at11523 aquatools at11523 manuals manuals and user guides for aquatools at11523 we have 1aquatools at11523

**aquatools at3123 sand filter manual issuu** - Jun 12 2023

web object moved this document may be found here

**aquatools at3123 sand filter manual issuu** - Dec 26 2021

*aquapro sand filter system owner s manual* - Mar 09 2023

web aqua tools sand parts at3115 at3118 at3120 at3124 at3130 click to zoom in diagram part title 1 no longer available valve replace with all

**information on aquatools at3123 sand filter r pools** - Nov 05 2022

web aquatools at3123 sand filter manual if you ally obsession such a referred aquatools at3123 sand filter manual books that will come up with the money for you worth

[manuals parts aaquatools](#) - Oct 04 2022

web apr 28 2022 1 hi i have an old filter installed outside and the sun has faded the ink on top of the valve i can only see that backwash is at the top position i know filter is at the

[cooler master](#) - May 11 2023

web mar 31 2018 get aquatools at3123 sand filter manual pdf file for free from our online library aquatools at3123 sand filter manual pdf aquatools at3123

*aquatools at11523 owner s manual pdf download* - Jul 13 2023

web aug 12 2017 get aquatools at3123 sand filter manual pdf file for free from our online library aquatools at3123 sand filter manual download free access for aquatools

**aquatools at3123 sand filter manual mudpuppy** - Apr 29 2022

web jul 7 2017 get aquatools at3123 sand filter manual pdf file for free from our online library aquatools at3123 sand filter manual ebhfzbwhzr pdf 71

*aquatools at3123 sand filter manual pdf ww gestudy byu edu* - Mar 29 2022

web jan 20 2018 aquatools at3123 sand filter manual free free access for aquatools at3123 sand filter manual free to read online or download to your computer read these

aquatools at11523 owner s manual pdf - Aug 14 2023

web view and download aquatools at11523 owner s manual online high rate sand filter system for above ground swimming pools at11523 water filtration

*download nederlandse handleiding loomshop nl* - Sep 16 2023

web alle handleidingen en formulieren online nl typ download handleiding dé nederlandse bitcoin dit is een artikel uit de peter van olmen serie download tor browser bundle nederlands nl afterdawn com handleiding gratis stream box activity trackers met nederlandse handleiding download pdf de nederlandse

**download nederlandse handleiding loomshop nl** - Jul 14 2023

web download nederlandse handleiding loomshop nl op met onze nederlandse of belgische service en informatielijn download het alternatieve chrome installatieprogramma op een computer

**download nederlandse handleiding loomshop nl help discoveram** - Apr 11 2023

web jun 10 2023 nederlandse handleiding loomshop nl it is completely straightforward then at present we extend the associate to buy and create bargains to download and set up download nederlandse handleiding loomshop nl therefore simple

**lg 43ur74006lb productondersteuning handleidingen** - Nov 06 2022

web de lg customer service heeft goed geïnformeerde mensen die u graag helpen met technische ondersteuning en servicevraagstukken lg krijg productondersteuning voor de lg 43ur74006lb download 43ur74006lb handleidingen documenten en software bekijk 43ur74006lb garantie informatie en schema diensten

*download nederlandse handleiding loomshop nl help discoveram* - Jul 02 2022

web may 25 2023 download nederlandse handleiding loomshop nl software en downloads meer informatie nederland nederlands deze website kan het best bekeken worden via microsoft internet explorer 9 of hoger nl sports live sport van de een handleiding voor de afstandbediening vindt u in de algemene beschrijving toch willen in

download nederlandse handleiding loomshop nl pdf copy - Mar 10 2023

web apr 21 2023 nederlandse handleiding loomshop nl pdf as one of the most keen sellers here will entirely be accompanied by the best options to review download nederlandse handleiding

**download nederlandse handleiding loomshop nl help discoveram** - Mar 30 2022

web may 19 2023 download nederlandse handleiding loomshop nl download deze gratis nederlandse handleiding wordpress en ga meteen aan de slag met je website van pagina s aanmaken tot instellen van google analytics

**download nederlandse handleiding loomshop nl** - Jun 13 2023

web may 18 2023 download nederlandse handleiding loomshop nl downloads amp aanvraag documentatie handleidingen pdf over ons handleiding advanced thermostat reduced version pdf 8 47 mb download lees in jouw browser

download nederlandse handleiding loomshop nl mypthumb com - Jan 28 2022

web may 6th 2018 nl support handleiding en downloads handleidingen en downloads geef om te zoeken de productnaam het modelnummer of vrije tekst in en download de husqvarna

*loom in het nederlands vertaald uit het engels* - Aug 03 2022

web weave on a loom 1 materials loomed in egypt 1 appear very large or occupy a commanding position 1 large shadows loomed on the canyon wall 1 come into view indistinctly often threateningly 1 another air plane loomed into the sky 1 hang over as of something threatening dark or menacing 1

**download nederlandse handleiding loomshop nl** - Feb 26 2022

web download nederlandse handleiding loomshop nl google chrome downloaden en installeren computer download gimp gratis laatste versie in het nederlands op ccm handleiding gratis stream box free videopad nl handleiding download videopad nl waar vind ik downloads of handleidingen voor mijn samsung kodi 17

**vertaling naar nederlands voorbeelden engels reverso context** - Sep 04 2022

web vertaling van loom in nederlands ww woven on a traditional loom using wooden shuttles geweven op een traditioneel weefgetouw met behulp van houten pendels traditional tapestries are woven on a horizontal or vertical loom de ambachtelijke tapijten worden geweven op een horizontaal of een verticaal weefgetouw

*rainbow loom handleidingen gebruikershandleiding com* - Dec 07 2022

web bekijk en download gratis rainbow loom handleidingen of stel een vraag aan andere eigenaars in het forum

**download nederlandse handleiding loomshop nl pdf** - Feb 09 2023

web download nederlandse handleiding loomshop nl is available in our book collection an online access to it is set as public so you can get it instantly our books collection spans in multiple countries allowing you to get the most less latency time to download any of our books like this one

*loom 6 definities encyclo* - Oct 05 2022

web definities die loom bevatten rotig 1 loom soeserig 1 loom rozig 1 kleurig 2 loom 3 loom en slaperig 4 rooskleurig 5 slaperig 6 verhit lomig 1 een weinig loom 2 een weinig traag 3 enigszins loom 4 enigszins mat 5 gemelijk 6 min of meer loom zo lustig zijn als een vogeltje dat koe heet buitengewoon loom zijn

*download nederlandse handleiding loomshop nl mypthub com - Jun 01 2022*

web download nederlandse handleiding loomshop nl met nederlandse handleiding download download tor browser bundle nederlands nl afterdawn com handleiding en downloads husqvarna com activity trackers met nederlandse handleiding download pdf hier kunt u diverse documenten handleidingen en brochures

**download nederlandse handleiding loomshop nl liululu - Apr 30 2022**

web download nederlandse handleiding loomshop nl handleiding nederlandstalig in pdf downloaden iphone nl activity trackers met nederlandse handleiding download pdf

*download nederlandse handleiding loomshop nl - Aug 15 2023*

web nederlandse handleiding download pdf handleidingen per merk google chrome downloaden en installeren computer fitbit charge 2 handleiding download pdf fitbit kopen gnu image manipulation program gimp documentation download winrar nederlands 64 bit v5 50 nl afterdawn com de nederlandse handleiding mailchimp

download nederlandse handleiding loomshop nl pdf - Jan 08 2023

web this download nederlandse handleiding loomshop nl as one of the most in action sellers here will enormously be in the course of the best options to review apps for windows cnet download

*download de nederlandse rainbow loom handleiding loommania - May 12 2023*

web feb 26 2014 download de nederlandse rainbow loom handleiding het heeft even geduurd maar het is dan eindelijk zover de nederlandse rainbow loom handleiding is af en je kunt hem hier downloaden hieronder een transcript van de teksten op de nederlandse rainbowloom handleiding rainbow loom gebruiksaanwijzing