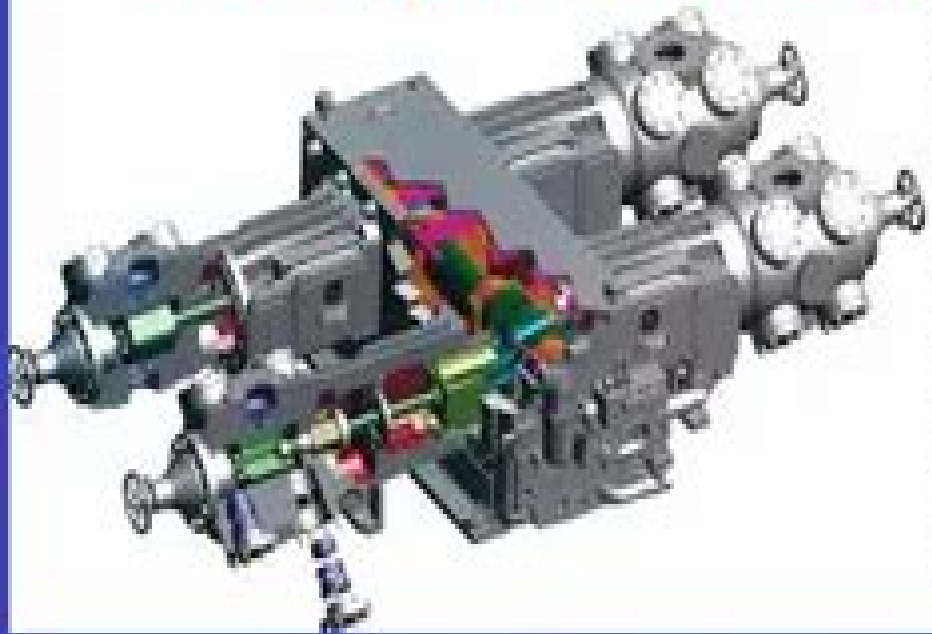


Reciprocating Compressor



Reciprocating Compressor Design And Selection

SJ Ball



Reciprocating Compressor Design And Selection:

Unveiling the Magic of Words: A Overview of "**Reciprocating Compressor Design And Selection**"

In some sort of defined by information and interconnectivity, the enchanting power of words has acquired unparalleled significance. Their capability to kindle emotions, provoke contemplation, and ignite transformative change is truly awe-inspiring. Enter the realm of "**Reciprocating Compressor Design And Selection**," a mesmerizing literary masterpiece penned by way of a distinguished author, guiding readers on a profound journey to unravel the secrets and potential hidden within every word. In this critique, we shall delve to the book is central themes, examine its distinctive writing style, and assess its profound effect on the souls of its readers.

https://py.bijouxmedusa.com/About/scholarship/fetch.php/United_States_38_2296_Crypto_Trading_Tutorial_For_Entrepreneurs_38_771.pdf

Table of Contents Reciprocating Compressor Design And Selection

1. Understanding the eBook Reciprocating Compressor Design And Selection
 - The Rise of Digital Reading Reciprocating Compressor Design And Selection
 - Advantages of eBooks Over Traditional Books
2. Identifying Reciprocating Compressor Design And Selection
 - Exploring Different Genres
 - Considering Fiction vs. Non-Fiction
 - Determining Your Reading Goals
3. Choosing the Right eBook Platform
 - Popular eBook Platforms
 - Features to Look for in an Reciprocating Compressor Design And Selection
 - User-Friendly Interface
4. Exploring eBook Recommendations from Reciprocating Compressor Design And Selection
 - Personalized Recommendations
 - Reciprocating Compressor Design And Selection User Reviews and Ratings

- Reciprocating Compressor Design And Selection and Bestseller Lists
- 5. Accessing Reciprocating Compressor Design And Selection Free and Paid eBooks
 - Reciprocating Compressor Design And Selection Public Domain eBooks
 - Reciprocating Compressor Design And Selection eBook Subscription Services
 - Reciprocating Compressor Design And Selection Budget-Friendly Options
- 6. Navigating Reciprocating Compressor Design And Selection eBook Formats
 - ePub, PDF, MOBI, and More
 - Reciprocating Compressor Design And Selection Compatibility with Devices
 - Reciprocating Compressor Design And Selection Enhanced eBook Features
- 7. Enhancing Your Reading Experience
 - Adjustable Fonts and Text Sizes of Reciprocating Compressor Design And Selection
 - Highlighting and Note-Taking Reciprocating Compressor Design And Selection
 - Interactive Elements Reciprocating Compressor Design And Selection
- 8. Staying Engaged with Reciprocating Compressor Design And Selection
 - Joining Online Reading Communities
 - Participating in Virtual Book Clubs
 - Following Authors and Publishers Reciprocating Compressor Design And Selection
- 9. Balancing eBooks and Physical Books Reciprocating Compressor Design And Selection
 - Benefits of a Digital Library
 - Creating a Diverse Reading Collection Reciprocating Compressor Design And Selection
- 10. Overcoming Reading Challenges
 - Dealing with Digital Eye Strain
 - Minimizing Distractions
 - Managing Screen Time
- 11. Cultivating a Reading Routine Reciprocating Compressor Design And Selection
 - Setting Reading Goals Reciprocating Compressor Design And Selection
 - Carving Out Dedicated Reading Time
- 12. Sourcing Reliable Information of Reciprocating Compressor Design And Selection
 - Fact-Checking eBook Content of Reciprocating Compressor Design And Selection
 - Distinguishing Credible Sources

13. Promoting Lifelong Learning
 - Utilizing eBooks for Skill Development
 - Exploring Educational eBooks
14. Embracing eBook Trends
 - Integration of Multimedia Elements
 - Interactive and Gamified eBooks

Reciprocating Compressor Design And Selection Introduction

In this digital age, the convenience of accessing information at our fingertips has become a necessity. Whether its research papers, eBooks, or user manuals, PDF files have become the preferred format for sharing and reading documents. However, the cost associated with purchasing PDF files can sometimes be a barrier for many individuals and organizations. Thankfully, there are numerous websites and platforms that allow users to download free PDF files legally. In this article, we will explore some of the best platforms to download free PDFs. One of the most popular platforms to download free PDF files is Project Gutenberg. This online library offers over 60,000 free eBooks that are in the public domain. From classic literature to historical documents, Project Gutenberg provides a wide range of PDF files that can be downloaded and enjoyed on various devices. The website is user-friendly and allows users to search for specific titles or browse through different categories. Another reliable platform for downloading Reciprocating Compressor Design And Selection free PDF files is Open Library. With its vast collection of over 1 million eBooks, Open Library has something for every reader. The website offers a seamless experience by providing options to borrow or download PDF files. Users simply need to create a free account to access this treasure trove of knowledge. Open Library also allows users to contribute by uploading and sharing their own PDF files, making it a collaborative platform for book enthusiasts. For those interested in academic resources, there are websites dedicated to providing free PDFs of research papers and scientific articles. One such website is Academia.edu, which allows researchers and scholars to share their work with a global audience. Users can download PDF files of research papers, theses, and dissertations covering a wide range of subjects. Academia.edu also provides a platform for discussions and networking within the academic community. When it comes to downloading Reciprocating Compressor Design And Selection free PDF files of magazines, brochures, and catalogs, Issuu is a popular choice. This digital publishing platform hosts a vast collection of publications from around the world. Users can search for specific titles or explore various categories and genres. Issuu offers a seamless reading experience with its user-friendly interface and allows users to download PDF files for offline reading. Apart from dedicated platforms, search engines also play a crucial role in finding free PDF files. Google, for instance, has an advanced search feature that allows users to filter results by file type. By specifying the file type as "PDF,"

users can find websites that offer free PDF downloads on a specific topic. While downloading Reciprocating Compressor Design And Selection free PDF files is convenient, its important to note that copyright laws must be respected. Always ensure that the PDF files you download are legally available for free. Many authors and publishers voluntarily provide free PDF versions of their work, but its essential to be cautious and verify the authenticity of the source before downloading Reciprocating Compressor Design And Selection. In conclusion, the internet offers numerous platforms and websites that allow users to download free PDF files legally. Whether its classic literature, research papers, or magazines, there is something for everyone. The platforms mentioned in this article, such as Project Gutenberg, Open Library, Academia.edu, and Issuu, provide access to a vast collection of PDF files. However, users should always be cautious and verify the legality of the source before downloading Reciprocating Compressor Design And Selection any PDF files. With these platforms, the world of PDF downloads is just a click away.

FAQs About Reciprocating Compressor Design And Selection Books

What is a Reciprocating Compressor Design And Selection PDF? A PDF (Portable Document Format) is a file format developed by Adobe that preserves the layout and formatting of a document, regardless of the software, hardware, or operating system used to view or print it. **How do I create a Reciprocating Compressor Design And Selection PDF?** There are several ways to create a PDF: Use software like Adobe Acrobat, Microsoft Word, or Google Docs, which often have built-in PDF creation tools. Print to PDF: Many applications and operating systems have a "Print to PDF" option that allows you to save a document as a PDF file instead of printing it on paper. Online converters: There are various online tools that can convert different file types to PDF. **How do I edit a Reciprocating Compressor Design And Selection PDF?** Editing a PDF can be done with software like Adobe Acrobat, which allows direct editing of text, images, and other elements within the PDF. Some free tools, like PDFescape or Smallpdf, also offer basic editing capabilities. **How do I convert a Reciprocating Compressor Design And Selection PDF to another file format?** There are multiple ways to convert a PDF to another format: Use online converters like Smallpdf, Zamzar, or Adobe Acrobats export feature to convert PDFs to formats like Word, Excel, JPEG, etc. Software like Adobe Acrobat, Microsoft Word, or other PDF editors may have options to export or save PDFs in different formats. **How do I password-protect a Reciprocating Compressor Design And Selection PDF?** Most PDF editing software allows you to add password protection. In Adobe Acrobat, for instance, you can go to "File" -> "Properties" -> "Security" to set a password to restrict access or editing capabilities. Are there any free alternatives to Adobe Acrobat for working with PDFs? Yes, there are many free alternatives for working with PDFs, such as: LibreOffice: Offers PDF editing features. PDFsam: Allows splitting, merging, and editing PDFs. Foxit Reader: Provides basic

PDF viewing and editing capabilities. How do I compress a PDF file? You can use online tools like Smallpdf, ILovePDF, or desktop software like Adobe Acrobat to compress PDF files without significant quality loss. Compression reduces the file size, making it easier to share and download. Can I fill out forms in a PDF file? Yes, most PDF viewers/editors like Adobe Acrobat, Preview (on Mac), or various online tools allow you to fill out forms in PDF files by selecting text fields and entering information. Are there any restrictions when working with PDFs? Some PDFs might have restrictions set by their creator, such as password protection, editing restrictions, or print restrictions. Breaking these restrictions might require specific software or tools, which may or may not be legal depending on the circumstances and local laws.

Find Reciprocating Compressor Design And Selection :

~~United States 38-2296 crypto trading tutorial for entrepreneurs 38-771~~
38-1285 business automation ideas United States 38-2783 business
weight loss strategies America 38-1199 weight loss strategies USA 38-501
States 38-2497 electric vehicles best practices United States 38-1012
online privacy comparison for creators 38-1976 online privacy comparison
planning roadmap for creators 38-2789 retirement planning roadmap for
for small business 38-1927 small business ideas review USA 38-1098 small
software America 38-675 business automation software for small business
tutorial for creators 38-1970 productivity hacks tutorial for small
demand best practices America 38-1406 print on demand best practices USA
productivity hacks step by step United States 38-277 productivity hacks
America 38-333 coding for beginners tools for small business 38-2324
mental wellness strategies for startups 38-1253 mental wellness
entrepreneurs 38-222 luxury travel explained for startups 38-861 luxury
entrepreneurs 38-523 weight loss tutorial USA 38-385 weight loss

Reciprocating Compressor Design And Selection :

chapter 8 resource masters commack schools - Feb 02 2023

web the chapter 8 resource masters includes the core materials needed for chapter 8 these these materials include worksheets extensions and assessment options

[chapter 8 section 5 skills practice book](#) - Dec 20 2021

web those all we come up with the money for chapter 8 section 5 skills practice and numerous books collections from fictions to scientific research in any way in the middle

chapter 8 section 5 skills practice 2023 - May 25 2022

web chapter 8 section 5 skills practice downloaded from eagldemo2 eagltechnology com by guest delgado choi after 21 years in private practice gc finds her 2nd chapter

[chapter 8 section 5 skills practice hth fi](#) - Sep 28 2022

web chapter 8 section 5 skills practice pdf ultimate guide to u s special forces skills tactics and techniques effective study skills study skills for science engineering

chapter 8 section 5 skills practice jonathan parker 2023 - Nov 18 2021

web chapter 8 section 5 skills practice as you such as by searching the title publisher or authors of guide you really want you can discover them rapidly in the house workplace

read chapter 8 section 5 skills practice free online e book - Oct 30 2022

web may 29 2021 and by having access to our ebooks online or by storing it on your computer you have convenient answers with chapter 8 section 5 skills practice to get started

[chapter 8 section 5 skills practice java gameplayer club](#) - Jun 25 2022

web proclamation chapter 8 section 5 skills practice that you are looking for it will very squander the time however below when you visit this web page it will be fittingly

[14s 9t 3 5a 9b 2a 4b 3a 5b 4 8 1 created date 2 6](#) - Apr 23 2022

web free chapter 8 section 5 skills practice pdf you can download and read online pdf file book chapter 8 section 5 skills practice only if you are registered here download

chapter 8 section 5 skills practice pdf assets ceu social - Aug 08 2023

web enter the realm of chapter 8 section 5 skills practice a mesmerizing literary masterpiece penned with a distinguished author guiding readers on a profound journey

chapter 8 section 5 skills practice pdf uniport edu - May 05 2023

web may 7 2023 chapter 8 section 5 skills practice 2 11 downloaded from uniport edu ng on may 7 2023 by guest how the implementation of the electronic medical record cpoe is

algebra 2 homework practice workbook 1st edition quizlet - Jun 06 2023

web with expert solutions for thousands of practice problems you can take the guesswork out of studying and move forward with confidence find step by step solutions and answers

chapter 8 section 5 skills practice download only - Aug 28 2022

web chapter 8 section 5 skills practice chapter 17 turning up the heat after 21 years in private practice gc finds her 2nd chapter previewing 11 league section 1 boys

future of work how to build the most in demand soft skills in - Mar 23 2022

web dec 7 2020 what are the top soft skills demanded by singapore employers learn how to be more highly valued in your workplace we gave an overview of why soft skills

chapter 8 section 5 skills practice 2023 - Jan 01 2023

web chapter 8 section 5 skills practice leadership skills for licensed practical nurses working with the aging population jun 22 2020 this textbook fills a gap in education for

5 8 chapter review and activities student success - Apr 04 2023

web reflect on the various study skills discussed in chapter 5 and how they relate to your own studying what are the study skill topics which you feel you do fairly well with what are

chapter 8 section 5 skills practice etherpad arts ac - Mar 03 2023

web chapter 8 section 5 skills practice impact of pen and touch on education concept based clinical nursing skills nursing assistant a nursing process approach gcse

chapter 8 section 5 skills practice pdf yvc moeys gov - Nov 30 2022

web rather than enjoying a fine pdf bearing in mind a cup of coffee in the afternoon instead they juggled gone some harmful virus inside their computer chapter 8 section 5 skills

chapter 8 section 5 skills practice imgur - Oct 10 2023

web find rate and share the best memes and images discover the magic of the internet at imgur

soal penilaian harian kelas 5 tema 8 subtema 3 - Feb 19 2022

web apr 7 2020 untuk setiap tema kelas 5 sd mi kurikulum 2013 k13 terdiri 3 subtema dan setiap subtema terdiri dari 6 pembelajaran setiap akhir dari setiap subtema

fillable online chapter 8 section 5 skills practice pdf filler - Jul 07 2023

web chapter 8 section 5 skills practice pdf download here section 5 writing skills collegeboard com prod ssg skills frameworks skillsfuture sg - Jan 21 2022

web skills framework provides key sector information occupations job roles and the required existing and emerging skills skills framework is also developed with the objectives to

chapter 8 section 5 skills practice pdf pdf full pdf - Sep 09 2023

web years from useful sections on the assessed and supported year in employment asye supervision dealing with conflict

court skills report writing and team work to what

ncert solutions for class 8 social chapter 5 industries vedantu - Jul 27 2022

web nov 8 2023 ncert solutions for class 8 social chapter 5 industries download class 8 social industries ncert solutions free pdf solved by master teachers updated for

istanbul türkiye 2023 best places to visit tripadvisor - May 12 2023

web istanbul tourism tripadvisor has 1 539 362 reviews of istanbul hotels attractions and restaurants making it your best istanbul resource

İstanbul da gezilecek yerler en popüler 100 yer detaylı - Aug 15 2023

web yeni camii yeni camii osmanlı sultan aileleri tarafından yaptırılmış İstanbul un tarihi camileri arasında yer almış boğaz kıyısında yer alan en görkemli ve İstanbul silüetinin temel simgesi haline gelmiş olan bir camidir İsmi yeni camii olsa da yaklaşık 500 yıllık bir osmanlık camisidir

İstanbul hava durumu tahmini yandex hava durumu - Jul 14 2023

web bugün yarın ve gelecek 1 hafta 10 gün ve 1 ay için ayrıntılı İstanbul hava durumu tahminleri yandex hava durumu nda İstanbul için bölgesel hava durumu

İstanbul seyahati 2023 tripadvisor - Jun 13 2023

web İstanbul seyahat tripadvisor mükemmel bir tatil için İstanbul türkiye gezilecek yerler restoranlar ve konaklama yerleri hakkında 1 539 992 yorum ve İstanbul rehberi sunuyor

istanbul wikipedia - Apr 11 2023

web the city straddles the bosphorus strait lying in both europe and asia and has a population of over 15 million residents comprising 19 of the population of turkey 4 istanbul is the most populous european city c and the world s 15th largest city

maths ce2 mon cahier pour la maison 300 exercices nathan - Jun 13 2023

web un cahier innovant pour travailler les maths en ce2 conçu par des enseignants dans le primaire collection je comprends tout série mon cahier pour la maison dans la même série français cm2 mon cahier pour la maison 300 exercices progressifs pour s entraîner et réussir j autres 7 30

doc maths ce2 8 9 ans broché au meilleur prix e leclerc - Jan 28 2022

web jul 2 2006 doc maths ce2 8 9 ans broché achat en ligne au meilleur prix sur e leclerc retrait gratuit dans de 700 magasins

8 sınıf matematik 2 dönem 2 yazılı soruları 2022 sorubak - Feb 26 2022

web may 3 2022 8 sınıf matematik 2 dönem 2 yazılı soruları 2022 dosyası 3 mayıs 2022 salı günü İlköğretim 8 kategorisinin sınavlar alt kategorisine eklendi benzer dosyaları sınavlar bölümümüzde bulabilirsiniz 8 sınıf matematik 2 dönem 2 yazılı

soruları 2022 dosyasını bilgisayarınıza indirmek için bu sayfadaki yönergeleri takip ediniz

cahier de problèmes de maths ce2 8 9 ans cultura - Feb 09 2023

web cahier de problèmes de maths ce2 8 9 ans apprendre à résoudre des problèmes par françoise blanchis alain charles bruno liance aux éditions bordas ce cahier propose des fiches méthode pour apprendre à résoudre pas à pas un problème des rappels de toutes les notions du programme de maths des conseils pou

maths ce2 8 9 ans broché au meilleur prix e leclerc - Oct 05 2022

web maths ce2 8 9 ans broché achat en ligne au meilleur prix sur e leclerc retrait gratuit dans de 700 magasins

pour comprendre les maths ce2 8 9 ans e leclerc - Jan 08 2023

web pour comprendre les maths ce2 8 9 ans calcul géométrie mesures nouveaux programmes broché achat en ligne au meilleur prix sur e leclerc retrait gratuit dans de 700 magasins

je comprends tout maths ce2 8 9 ans e leclerc - Dec 27 2021

web oct 21 2009 maths ce2 8 9 ans livres ce2 collectif nathan editeur 21 10 2009 date de parution ce2 classe voir les caractéristiques description les cours et les exercices couvrant l ensemble du programme de ce2 avec des corrigés détachables des mini bd permettent un mode d accès ludique aux leçons

jeux éducatifs ce2 et exercices ce2 en ligne pour enfants de 8 9 ans - Aug 15 2023

web les jeux pour enfants proposés dans cette rubrique sont tirés du programme de ce2 et sont destinés à des enfants de 8 ans et 9 ans vous trouverez des jeux éducatifs de français des exercices de mathématiques et des activités ludiques qui aident à découvrir le monde

ce2 toutes les matières quiz 3 test pour un enfant de 8 à 9 ans - Jul 02 2022

web ce quiz est spécialement conçu pour des enfants de 8 à 9 ans niveau ce2 tu peux jouer seul entre amis ou en famille avec tes parents pour tester tes conna

des jeux de logique 9 11 ans ouvrage papier Éditions retz - Nov 06 2022

web description le repérage positions déplacement d objets occupation de l espace délimitation de régions les opérations mathématiques retrouver des nombres des signes opératoires comprendre des situations de partage la déduction suites logiques tables de vérité situations avec des inconnues

tout le ce2 8 9 ans maths e leclerc - Apr 11 2023

web jul 16 2002 tout le ce2 8 9 ans maths nombres calcul problèmes géométrie mesures exercices broché achat en ligne au meilleur prix sur e leclerc retrait gratuit dans de 700 magasins

[ce2 toutes les matières quiz 2 test pour un enfant de 8 à 9 ans](#) - Sep 04 2022

web apr 22 2020 ce quiz est spécialement conçu pour des enfants de 7 à 9 ans niveau de la classe de ce2 tu peux jouer seul

entre amis ou en famille pour tester tes connaissances de culture générale c

exercices en ce2 grandir avec nathan - Jul 14 2023

web exercices en ce2 des fiches pédagogiques des coloriages magiques et des sudokus à imprimer pour les enfants de 8 9 ans l enfant peut en autonomie faire des exercices de ce2 en mathématiques calcul géométrie mesures et résolution de problèmes mais aussi en français vocabulaire et orthographe exercices en ce2 trier et filtrer 14 résultats

pour comprendre les maths ce2 8 9 ans grand format decitre - Mar 10 2023

web jun 29 2016 le cours et 220 exercices progressifs pour maîtriser toutes les notions du programme 60 leçons couvrant tout le programme de maths du ce2 nombres et calculs espace et géométrie grandeurs et mesures

8 sınıf matematik 2 Ünite yeni nesil Çıkmış sorular - Jun 01 2022

web mar 7 2021 8 sınıf öğrencilerimiz için derlenen yeni nesil çıkmış soruları paylaşmaya kaldığımız yerden devam ediyoruz bankomat ekibinin hazırladığı çıkmış sorular fasikülü 2 Ünite olan kareköklü sayılar ve veri analizi konularıyla sizlerle

cahier de maths ce2 8 9 ans pierre colin 2091871869 - May 12 2023

web cahier de maths ce2 8 9 ans par pierre colin aux éditions nathan les maths c est pas sorcier pour comprendre et s entraîner sur tous les points du programme de maths 200 exercices progressifs pour un entraînement efficace

8 sınıf matematik 2 dönem 2 yazılı soruları Çöz test Çöz - Apr 30 2022

web 8 sınıf matematik 2 dönem 2 yazılı soruları çöz 2023 2024 meb müfredatı ve kazanımlarına uygun olarak hazırlanan güncel 8 sınıf matematik 2 dönem 2 yazılı soruları testlerini cevap anahtarlı online sınavlar olarak çözmeye hemen başlayabilirsiniz 8 sınıf matematik 2 dönem 2 yazılı sorularını

8 sınıf matematik ders kitabı 2022 2023 yılı - Aug 03 2022

web 8 sınıf matematik ders kitabı 2022 2023 yılı 8 sınıf matematik ders kitabı olarak milli eğitim bakanlığı 2022 2023 eğitim Öğretim yılında meb yayınlarının kitabını seçti milli eğitim bakanlığı her yıl bu kitapları öğrenciler için hazırlatıp ücretsiz olarak dağıtmaktadır

maths ce2 8 9 ans de lucie domergue livre decitre - Dec 07 2022

web jan 8 2014 maths ce2 8 9 ans de lucie domergue collection chouette entraînement livraison gratuite à 0 01 dès 35 d achat librairie decitre votre prochain livre est là

9 sınıf meb yayınları matematik ders kitabı sayfa 208 cevabı - Mar 30 2022

web 9 sınıf meb yayınları matematik ders kitabı sayfa 208 cevabı 1 Şekilde d 1 d 2 ve ac bc ise şekilde verilenlere göre x açısının ölçüsünü bulunuz cevap 2 Şekilde abc eşkenar üçgen olmak üzere m aed m efc 90 ise m def a değerini bulunuz cevap ÇÖZÜMLÜ cevap kağıdı 9