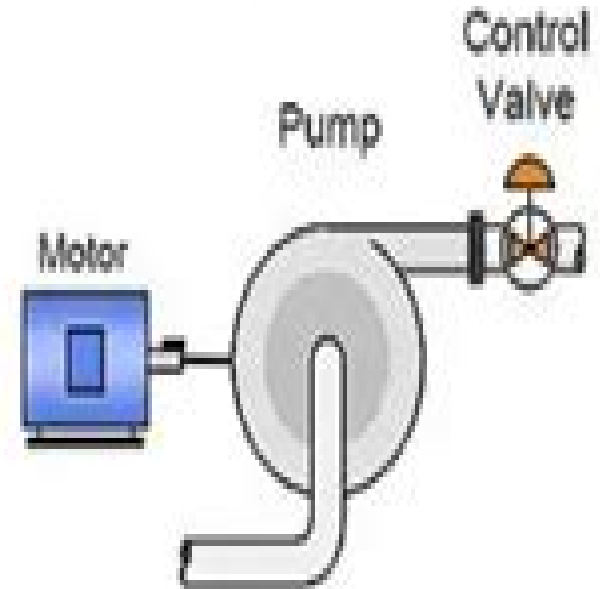
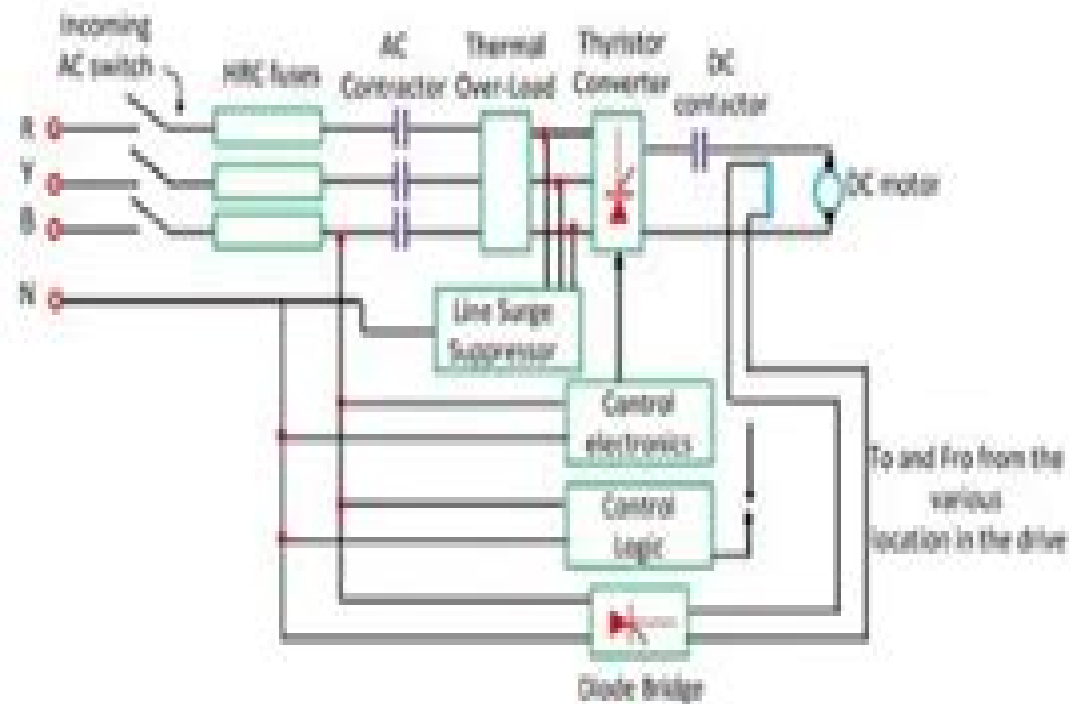
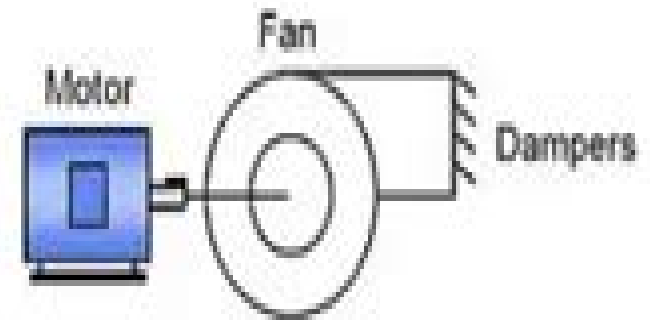


How Electrical Drives Are Controlled



Electrical 4 U

Basic Electrical Drives And Control

Bela G. Liptak



Basic Electrical Drives And Control:

Electrical Machine Drives Control Juha Pyrhonen,Valeria Hrabovcova,R. Scott Semken,2016-10-03 This comprehensive text examines existing and emerging electrical drive technologies The authors clearly define the most basic electrical drive concepts and go on to explain the most important details while maintaining a solid connection to the theory and design of the associated electrical machines Also including links to a number of industrial applications the authors take their investigation of electrical drives beyond theory to examine a number of practical aspects of electrical drive control and application Key features Provides a comprehensive summary of all aspects of controlled speed electrical drive technology including control and operation Handling of electrical drives is solidly linked to the theory and design of the associated electrical machines Added insight into problems and functions are illustrated with clearly understandable figures Offers an understanding of the main phenomena associated with electrical machine drives Considers the problem of bearing currents and voltage stresses of an electrical drive Includes up to date theory and design guidelines taking into account the most recent advances This book s rigorous coverage of theoretical principles and techniques makes for an excellent introduction to controlled speed electrical drive technologies for Electrical Engineering MSc or PhD students studying electrical drives It also serves as an excellent reference for practicing electrical engineers looking to carry out design analyses and development of controlled speed electrical drives

Electrical Machine Drives Control Juha Pyrhonen,Valeria Hrabovcova,R. Scott Semken,2016-11-14 This comprehensive text examines existing and emerging electrical drive technologies The authors clearly define the most basic electrical drive concepts and go on to explain the most important details while maintaining a solid connection to the theory and design of the associated electrical machines Also including links to a number of industrial applications the authors take their investigation of electrical drives beyond theory to examine a number of practical aspects of electrical drive control and application Key features Provides a comprehensive summary of all aspects of controlled speed electrical drive technology including control and operation Handling of electrical drives is solidly linked to the theory and design of the associated electrical machines Added insight into problems and functions are illustrated with clearly understandable figures Offers an understanding of the main phenomena associated with electrical machine drives Considers the problem of bearing currents and voltage stresses of an electrical drive Includes up to date theory and design guidelines taking into account the most recent advances This book s rigorous coverage of theoretical principles and techniques makes for an excellent introduction to controlled speed electrical drive technologies for Electrical Engineering MSc or PhD students studying electrical drives It also serves as an excellent reference for practicing electrical engineers looking to carry out design analyses and development of controlled speed electrical drives

Process Control Béla G. Lipták,2013-10-02 Instrument Engineers Handbook Third Edition Process Control provides information pertinent to control hardware including transmitters controllers control valves displays and computer systems This book presents the control theory and shows how

the unit processes of distillation and chemical reaction should be controlled Organized into eight chapters this edition begins with an overview of the method needed for the state of the art practice of process control This text then examines the relative merits of digital and analog displays and computers Other chapters consider the basic industrial annunciators and other alarm systems which consist of multiple individual alarm points that are connected to a trouble contact a logic module and a visual indicator This book discusses as well the data loggers available for process control applications The final chapter deals with the various pump control systems the features and designs of variable speed drives and the metering pumps This book is a valuable resource for engineers

Applied Control of Electrical Drives Duco W. J. Pulle, Pete Darnell, André Veltman, 2015-09-17 Provides an overall understanding of all aspects of AC electrical drives from the motor and converter to the implemented control algorithm with minimum mathematics needed Demonstrates how to implement and debug electrical drive systems using a set of dedicated hardware platforms motor setup and software tools in VisSim™ and PLECS™ No expert programming skills required allowing the reader to concentrate on drive development Enables the reader to undertake real time control of a safe low voltage and low cost experimental drive This book puts the fundamental and advanced concepts behind electric drives into practice Avoiding involved mathematics whenever practical this book shows the reader how to implement a range of modern day electrical drive concepts without requiring in depth programming skills It allows the user to build and run a series of AC drive concepts ranging from very basic drives to sophisticated sensorless drives Hence the book is the only modern resource available that bridges the gap between simulation and the actual experimental environment Engineers who need to implement an electrical drive or transition from sensed to sensorless drives as well as students who need to understand the practical aspects of working with electrical drives will greatly benefit from this unique reference

Control of Electrical Drives Werner Leonhard, 2012-12-06 Electrical drives play an important part as electromechanical energy converters in transportation materials handling and most production processes This book presents a unified treatment of complete electrical drive systems including the mechanical parts electrical machines and power converters and control Since it was first published in 1985 the book has found its way onto many desks in industry and universities all over the world For the second edition the text has been thoroughly revised and updated with the aim of offering the reader a general view of the field of controlled electrical drives which are maintaining and extending their importance as the most flexible source of controlled mechanical energy

Sliding Mode Control for Synchronous Electric Drives Sergey E. Ryvkin, Eduardo Palomar Lever, 2011-11-21 This volume presents the theory of control systems with sliding mode applied to electrical motors and power converters It demonstrates the methodology of control design and the original algorithms of control and observation Practically all semiconductor devices are used in power converters that feed electrical motors as power switches A switch

Instrument Engineers' Handbook, (Volume 2) Third Edition Bela G. Liptak, 1995-05-15 This third edition of the Instrument Engineers Handbook most complete and respected work on process

instrumentation and control helps you *Proceedings of the American Institute of Electrical Engineers* ,1925 Vols for 1887
1946 include the preprint pages of the institute s Transactions Transactions of the American Institute of Electrical
Engineers American Institute of Electrical Engineers,1926 List of members in v 7 15 17 19 20 **Journal of the American
Institute of Electrical Engineers** American Institute of Electrical Engineers,1925 Includes preprints of Transactions of the
American Institute of Electrical Engineers ISSN 0096 3860 *Practical Robot Design* Jagannathan Kanniah,M. Fikret
Ercan,Carlos A. Acosta Calderon,2013-10-17 Designed for beginners undergraduate students and robotics enthusiasts
Practical Robot Design Game Playing Robots is a comprehensive guide to the theory design and construction of game playing
robots Drawing on years of robot building and teaching experience the authors demonstrate the key steps of building a robot
from beginning to end wi Electrical Engineering ,1926 Vols for 1931 46 include the preprints of the Transactions of the
American Institute of Electrical Engineers ISSN 0096 3860 *Machinery* Lester Gray French,1927 **Machinery** Fred
Herbert Colvin,Lester Gray French,1926 **Fifth European Conference on Power Electronics and Applications** ,1993
Handbook of Automation, Computation, and Control: Systems and components Eugene Munter Grabbe,1961
Instrument Practice for Process Control and Automation ,1970-07 *Fundamentals of Electrical Drives* Gopal K.
Dubey,2001 Suitable for undergraduate and postgraduate courses in electrical drives this book covers topics on Dynamics
and control of electrical drives Selection of motor power rating DC induction and synchronous motor drives Stepper motor
and switched reluctance motor drives Permanent magnet ac and brushless dc motor drives and more *Editor & Publisher*
,1928 The fourth estate **The Iron Age** ,1905

Delve into the emotional tapestry woven by in **Basic Electrical Drives And Control** . This ebook, available for download in a PDF format (*), is more than just words on a page; it is a journey of connection and profound emotion. Immerse yourself in narratives that tug at your heartstrings. Download now to experience the pulse of each page and let your emotions run wild.

<https://py.bijouxmedusa.com/public/uploaded-files/index.jsp/Color%20Atlas%20Of%20Anatomy.pdf>

Table of Contents Basic Electrical Drives And Control

1. Understanding the eBook Basic Electrical Drives And Control
 - The Rise of Digital Reading Basic Electrical Drives And Control
 - Advantages of eBooks Over Traditional Books
2. Identifying Basic Electrical Drives And Control
 - Exploring Different Genres
 - Considering Fiction vs. Non-Fiction
 - Determining Your Reading Goals
3. Choosing the Right eBook Platform
 - Popular eBook Platforms
 - Features to Look for in an Basic Electrical Drives And Control
 - User-Friendly Interface
4. Exploring eBook Recommendations from Basic Electrical Drives And Control
 - Personalized Recommendations
 - Basic Electrical Drives And Control User Reviews and Ratings
 - Basic Electrical Drives And Control and Bestseller Lists
5. Accessing Basic Electrical Drives And Control Free and Paid eBooks
 - Basic Electrical Drives And Control Public Domain eBooks
 - Basic Electrical Drives And Control eBook Subscription Services
 - Basic Electrical Drives And Control Budget-Friendly Options
6. Navigating Basic Electrical Drives And Control eBook Formats

- ePub, PDF, MOBI, and More
 - Basic Electrical Drives And Control Compatibility with Devices
 - Basic Electrical Drives And Control Enhanced eBook Features
7. Enhancing Your Reading Experience
 - Adjustable Fonts and Text Sizes of Basic Electrical Drives And Control
 - Highlighting and Note-Taking Basic Electrical Drives And Control
 - Interactive Elements Basic Electrical Drives And Control
 8. Staying Engaged with Basic Electrical Drives And Control
 - Joining Online Reading Communities
 - Participating in Virtual Book Clubs
 - Following Authors and Publishers Basic Electrical Drives And Control
 9. Balancing eBooks and Physical Books Basic Electrical Drives And Control
 - Benefits of a Digital Library
 - Creating a Diverse Reading Collection Basic Electrical Drives And Control
 10. Overcoming Reading Challenges
 - Dealing with Digital Eye Strain
 - Minimizing Distractions
 - Managing Screen Time
 11. Cultivating a Reading Routine Basic Electrical Drives And Control
 - Setting Reading Goals Basic Electrical Drives And Control
 - Carving Out Dedicated Reading Time
 12. Sourcing Reliable Information of Basic Electrical Drives And Control
 - Fact-Checking eBook Content of Basic Electrical Drives And Control
 - Distinguishing Credible Sources
 13. Promoting Lifelong Learning
 - Utilizing eBooks for Skill Development
 - Exploring Educational eBooks
 14. Embracing eBook Trends
 - Integration of Multimedia Elements
 - Interactive and Gamified eBooks

Basic Electrical Drives And Control Introduction

Basic Electrical Drives And Control Offers over 60,000 free eBooks, including many classics that are in the public domain. Open Library: Provides access to over 1 million free eBooks, including classic literature and contemporary works. Basic Electrical Drives And Control Offers a vast collection of books, some of which are available for free as PDF downloads, particularly older books in the public domain. Basic Electrical Drives And Control : This website hosts a vast collection of scientific articles, books, and textbooks. While it operates in a legal gray area due to copyright issues, its a popular resource for finding various publications. Internet Archive for Basic Electrical Drives And Control : Has an extensive collection of digital content, including books, articles, videos, and more. It has a massive library of free downloadable books. Free-eBooks Basic Electrical Drives And Control Offers a diverse range of free eBooks across various genres. Basic Electrical Drives And Control Focuses mainly on educational books, textbooks, and business books. It offers free PDF downloads for educational purposes. Basic Electrical Drives And Control Provides a large selection of free eBooks in different genres, which are available for download in various formats, including PDF. Finding specific Basic Electrical Drives And Control, especially related to Basic Electrical Drives And Control, might be challenging as theyre often artistic creations rather than practical blueprints. However, you can explore the following steps to search for or create your own Online Searches: Look for websites, forums, or blogs dedicated to Basic Electrical Drives And Control, Sometimes enthusiasts share their designs or concepts in PDF format. Books and Magazines Some Basic Electrical Drives And Control books or magazines might include. Look for these in online stores or libraries. Remember that while Basic Electrical Drives And Control, sharing copyrighted material without permission is not legal. Always ensure youre either creating your own or obtaining them from legitimate sources that allow sharing and downloading. Library Check if your local library offers eBook lending services. Many libraries have digital catalogs where you can borrow Basic Electrical Drives And Control eBooks for free, including popular titles. Online Retailers: Websites like Amazon, Google Books, or Apple Books often sell eBooks. Sometimes, authors or publishers offer promotions or free periods for certain books. Authors Website Occasionally, authors provide excerpts or short stories for free on their websites. While this might not be the Basic Electrical Drives And Control full book , it can give you a taste of the authors writing style. Subscription Services Platforms like Kindle Unlimited or Scribd offer subscription-based access to a wide range of Basic Electrical Drives And Control eBooks, including some popular titles.

FAQs About Basic Electrical Drives And Control Books

How do I know which eBook platform is the best for me? Finding the best eBook platform depends on your reading preferences and device compatibility. Research different platforms, read user reviews, and explore their features before

making a choice. Are free eBooks of good quality? Yes, many reputable platforms offer high-quality free eBooks, including classics and public domain works. However, make sure to verify the source to ensure the eBook credibility. Can I read eBooks without an eReader? Absolutely! Most eBook platforms offer webbased readers or mobile apps that allow you to read eBooks on your computer, tablet, or smartphone. How do I avoid digital eye strain while reading eBooks? To prevent digital eye strain, take regular breaks, adjust the font size and background color, and ensure proper lighting while reading eBooks. What the advantage of interactive eBooks? Interactive eBooks incorporate multimedia elements, quizzes, and activities, enhancing the reader engagement and providing a more immersive learning experience. Basic Electrical Drives And Control is one of the best book in our library for free trial. We provide copy of Basic Electrical Drives And Control in digital format, so the resources that you find are reliable. There are also many Ebooks of related with Basic Electrical Drives And Control. Where to download Basic Electrical Drives And Control online for free? Are you looking for Basic Electrical Drives And Control PDF? This is definitely going to save you time and cash in something you should think about. If you trying to find then search around for online. Without a doubt there are numerous these available and many of them have the freedom. However without doubt you receive whatever you purchase. An alternate way to get ideas is always to check another Basic Electrical Drives And Control. This method for see exactly what may be included and adopt these ideas to your book. This site will almost certainly help you save time and effort, money and stress. If you are looking for free books then you really should consider finding to assist you try this. Several of Basic Electrical Drives And Control are for sale to free while some are payable. If you arent sure if the books you would like to download works with for usage along with your computer, it is possible to download free trials. The free guides make it easy for someone to free access online library for download books to your device. You can get free download on free trial for lots of books categories. Our library is the biggest of these that have literally hundreds of thousands of different products categories represented. You will also see that there are specific sites catered to different product types or categories, brands or niches related with Basic Electrical Drives And Control. So depending on what exactly you are searching, you will be able to choose e books to suit your own need. Need to access completely for Campbell Biology Seventh Edition book? Access Ebook without any digging. And by having access to our ebook online or by storing it on your computer, you have convenient answers with Basic Electrical Drives And Control To get started finding Basic Electrical Drives And Control, you are right to find our website which has a comprehensive collection of books online. Our library is the biggest of these that have literally hundreds of thousands of different products represented. You will also see that there are specific sites catered to different categories or niches related with Basic Electrical Drives And Control So depending on what exactly you are searching, you will be able to choose ebook to suit your own need. Thank you for reading Basic Electrical Drives And Control. Maybe you have knowledge that, people have search numerous times for their favorite readings like this Basic Electrical Drives And Control, but end up in harmful downloads. Rather than reading a

good book with a cup of coffee in the afternoon, instead they juggled with some harmful bugs inside their laptop. Basic Electrical Drives And Control is available in our book collection an online access to it is set as public so you can download it instantly. Our digital library spans in multiple locations, allowing you to get the most less latency time to download any of our books like this one. Merely said, Basic Electrical Drives And Control is universally compatible with any devices to read.

Find Basic Electrical Drives And Control :

color atlas of anatomy

connecticut driver test study guide

contemporary latin american literature original selections from the literary giants for intermediate and advanced students

common ielts speaking questions and answers

computer literacy 101 test answers

~~contacts valette 9th edition~~

computer science an overview 11th edition solution

~~computer numerical control cnc manual programming offered~~

commercial bank exam past papers

computer science illuminated 5th fifth edition by dale nell lewis john published by jones bartlett learning 2012

comptia a complete study exams 220 801 and 802

~~coltrane omnibook bb~~

constructive theology a contemporary approach to classic themes a project of the workgroup on constructive christian theology

~~computer literacy for ic3 unit 1 computing fundamentals~~

consumer electronics written by b r gupta torrent

Basic Electrical Drives And Control :

maxi fiches de physique 2e a c d ma c canique the albert field - Apr 16 2023

web books later this one merely said the maxi fiches de physique 2e a c d ma c canique the is universally compatible next any devices to read the theory of relativity and its influence on scientific thought sir arthur stanley eddington 1922 the new quantum mechanics george birtwistle 2009 07 20 george birtwistle 1877 1929 published the

maxi fiches de physique 2e a c d ma c canique the - Dec 12 2022

web you could enjoy now is maxi fiches de physique 2e a c d ma c canique the below french books in print anglais electre 2002 how to solve it g polya 2014 10 26 a perennial bestseller by eminent mathematician g polya how to solve it will show anyone in any field how to think straight in lucid and appealing prose polya reveals how the

maxi fiches de physique 2e éd mécanique thermodynamique - Sep 09 2022

web programme 1989 modle et constitution de l atome maxicours maxi fiches de physique mcanique thermodynamique maxi fiches de physique 2e d mcanique maxi fiches gntique 2e d en 82 fiches jean cours fr mes maxi fiches physique chimie svt techno 3e tlcharger maxi fiches de physique 2e d mcanique description read

fiches pédagogiques de physique collège lycée au maroc - Aug 08 2022

web fiches pédagogiques physique chimie pour les niveaux collège et lycée □□□□□□□□ □□□□ □□□□□□ □□□□ □□□□□□ □□□□□□ □ □□□□□□□□□

maxi fiches de physique 2e a c d ma c canique the pdf - Feb 14 2023

web may 2 2023 maxi fiches de physique 2e a c d ma c canique the 1 7 downloaded from uniport edu ng on may 2 2023 by guest maxi fiches de physique 2e a c d ma c canique the thank you extremely much for downloading maxi fiches de physique 2e a c d ma c canique the maybe you have knowledge that people have look numerous times

maxi fiche de physique 2e a c d ma c canique the pdf - Sep 21 2023

web contexte de la physique à travers des exercices types les corrigés sont détaillés et commentés afin de bien mettre en évidence les difficultés et pièges à éviter cette seconde édition s enrichit d annales d examens représentant plus de 60 problèmes corrigés fondements de la physique mar 17 2021 physics insights ol pwb 2e

maxi fiches de physique 2e a c d ma c canique the pdf - May 17 2023

web may 8 2023 la collection maxi fiches s adressent aux étudiants désireux de maîtriser les fondamentaux d une discipline en 85 fiches synthétiques sont présentées

fiches pédagogiques physique chimie deuxième année baccalauréat - Mar 03 2022

web sep 29 2019 résumé des cours physique chimie deuxième année collège cours de la physique troisième année collège dans un seul fichier cahier d élève de la physique chimie tronc commun cahier d élève physique chimie pour la première année baccalauréat cahier d élève de la physique chimie troisième année collège

ma c canique des fluides en 20 fiches 2e a c d pdf web mei - Jun 06 2022

web it is not approaching the costs its practically what you habit currently this ma c canique des fluides en 20 fiches 2e a c d as one of the most energetic sellers here will extremely be in the middle of the best options to review omnia journal of the royal society of arts dictionnaire des inventions et découvertes anciennes et modernes

ma c canique des fluides en 20 fiches 2e a c d copy - Feb 02 2022

web ma c canique des fluides en 20 fiches 2e a c d 5 5 give entropy estimates of the number of triangulations of 3 and 4 manifolds continuum physics is recovered through scaling limits and computer simulation is used to study simplicial quantum gravity extensively the beginner will appreciate the introduction to the field and the

maxi fiches de physique 2e a c d ma c canique the - Nov 30 2021

web apr 24 2023 maxi fiches de physique 2e a c d ma c canique the 2 8 downloaded from uniport edu ng on april 24 2023 by guest model based safety analysis national aeronautics and space administration nasa 2018 06 03 system safety analysis techniques are well established and are used extensively during the design of safety

maxi fiches de physique 2e a c d ma c canique the pdf copy - Apr 04 2022

web maxi fiches de physique 2e a c d ma c canique the pdf introduction maxi fiches de physique 2e a c d ma c canique the pdf copy towards an education for the 21st century a world perspective samuel j eggleston 1969 the linguistic integration of adult migrants from one country to another from one language to another

maxi fiches de physique 2e a c d ma c canique the john - Jul 07 2022

web maxi fiches de physique 2e a c d ma c canique the as one of the most vigorous sellers here will completely be accompanied by the best options to review bayesian decision analysis jim q smith 2010 09 23 bayesian decision analysis supports principled decision making in complex domains this textbook takes

maxi fiches de physique 2e a c d ma c canique the copy - Nov 11 2022

web apr 21 2023 maxi fiches de physique 2e a c d ma c canique the 2 8 downloaded from uniport edu ng on april 21 2023 by guest switzerland in september 2016 this book contains the proceedings from the aag2016 conference and offers detailed insight into current and novel geometrical developments in architecture the 22 diverse peer

maxi fiches de physique 2e a c d ma c canique the pdf - Jul 19 2023

web jun 7 2023 recommandations des nations unies relatives au transport des marchandises dangereuses règlement type ainsi que les produits chimiques qui présentent des dangers physiques selon le système général harmonisé de classification et d étiquetage des produits chimiques sgh il complète donc également les

maxi fiches de physique 2e a c d ma c canique the pdf - May 05 2022

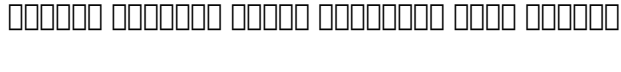
web oct 4 2023 canique the pdf getting the books maxi fiches de physique 2e a c d ma c canique the pdf now is not type of challenging means you could not unaided going in the same way as ebook stock or library or borrowing from your contacts to read them this is an categorically simple means to specifically acquire guide by on line this online

maxi fiches de physique 2e a c d ma c canique the pdf - Mar 15 2023

web may 2 2023 maxi fiches de physique 2e a c d ma c canique the 3 6 downloaded from uniport edu ng on may 2 2023 by guest drawing on recent ideas in material culture this book asks a radically new question what was it about the pots

themselves that allowed them to travel so widely and be integrated so quickly into a range of contexts and

fiches pédagogiques de physique 2ac extraphysics - Jun 18 2023

web téléchargez fiches pédagogiques de physique chimie 2ac maroc pdf word 

pdf ma c canique du point 2e a c d cours et exercices - Jan 13 2023

web apr 3 2023 readings like this ma c canique du point 2e a c d cours et exercices but end up in harmful downloads rather than reading a good book with a cup of coffee in the afternoon instead they are facing with some infectious bugs inside their desktop computer ma c canique du point 2e a c d cours et exercices is available in our book

maxi fiches de physique 2e a c d ma c canique the john - Jan 01 2022

web publication as well as insight of this maxi fiches de physique 2e a c d ma c canique the can be taken as well as picked to act general surgery at the district hospital john cook 1988 a richly illustrated guide to general surgical procedures suitable for use in small hospitals that are subject to constraints on personnel equipment and drugs

physique chimie 2ème année collège maroc extraphysics - Oct 10 2022

web cours de physique chimie deuxième année collège maroc fiches pédagogiques de physique 2ème année collège 222 fans j aime 0 abonnés s abonner l air qui nous entoure extraphysics 24 08 2020 0 quelques propriétés de l air et ses constituants extraphysics 24 08 2020 0

maxi fiches de physique 2e a c d ma c canique the 2023 - Oct 22 2023

web brevet pratique maxi compil de fiches la totale 3e brevet 2022 new trends in chemistry teaching how to solve it humans at the end of the ice age opticks deass the picture of dorian gray cosmology maxi fiches de physique 2e a c d ma c canique the omb no edited by gunner randolph deadlands reloaded springer science business media

free pdf download maxi fiches de physique 2e a c d ma c canique the - Aug 20 2023

web maxi fiches de physique 2e a c d ma c canique the physique mar 23 2020 pour préparer efficacement les concours ou un devoir révisez en un clin d œil les notions incontournables du cours de physique de 1re et 2e années rappels des définitions théorèmes et lois avec les formules essentielles éléments mathématiques mécanique

23 employee training templates and checklists for better - Jul 11 2022

web employee training management template airtable employee training record template at your business employee training schedule template template net hr team learning tracker trello new employee training tracker excel templates training record template jotform

download employee training log excel template exceldatapro - Mar 07 2022

web employee training log excel template we have created a simple and ready to use employee training log excel template

with predefined formulas you can manage and record data of your employees and know the number of employees under training at any given point of time [click here to download the employee training log excel template](#)

employee training plan template spreadsheet com - Aug 12 2022

web overview this employee training plan template is designed to help companies keep track of employee training courses and individual employee requirements within this workbook there are separate worksheets for tracking employee information courses and certifications scheduled class dates and course feedback

[employee training tracker excel template to plan and track](#) - Dec 04 2021

web sep 23 2021 download here someka net excel template employee training tracker did you finally find a great fit for your company or team well that s great

did you know that excel has a built in training log template - Oct 14 2022

web start by locating excel s training log template update nov 2017 this template is no longer available in the template library here s a copy if you wish to download it easy to follow easy to use right out of the box this training log template should cover most of

employee training schedule tracker with kanban view - Jan 05 2022

web training is vital for employee development safety and productivity this template provides a simple way to track both internal and external courses and certifications that are required and or available to your employees employee schedule training template can be customized to manage internal and external courses certifications and other

staff mandatory training tracking template excel tmp - Nov 15 2022

web 1 the template is designed to list all staff according to job classification staff members are listed only once this saves time paper and prevents errors 3 the minimum mandatory training requirements for all staff are shaded in blue additional minimum mandatory training for direct care staff are shaded in green 4

free training plan templates for business use smartsheet - May 21 2023

web may 31 2018 download employee training plan template microsoft excel google sheets adobe pdf smartsheet when to use it to help an employee prepare to move up in the company or develop specific skills use this template to create a training plan for an individual employee

employee training tracker template my excel templates - Oct 02 2021

web how to use the employee training tracker template the first step is to download the template from this page the template is free to access free to use and free to print or download so make as many copies as are needed the template also allows the individual to fashion it as they wish one can customize the fonts colors and even the

top excel templates for human resources smartsheet - Apr 20 2023

web nov 18 2021 in this article you ll find the most complete collection of human resource templates to help you with everything from acquiring the best talent to managing training programs and tracking employee schedules get free smartsheet templates

43 employee training plan templates word excel - Mar 19 2023

web 43 employee training plan templates word excel in all companies one of the greatest assets is its workforce as an employer or the hr head you must provide your employees with the necessary training that will strengthen their skills which ultimately boosts company growth

how to track employee training progress with excel or - Jun 22 2023

web nov 2 2020 3 create a training tracker excel template if you like to kick it old school or don t have the budget for dedicated training software you can always track employee training in excel to make your life a little easier though you might want to create a training tracker excel or google sheet template

employee training tracker excel template simple sheets - Sep 13 2022

web our employee training tracker excel template makes it simple to track training and skill levels within your organization if you find this template useful you ll also want to check out our other hr excel templates like employee performance appraisal hr metrics dashboard and organizational chart

how to track employee training excel template thinkific - Jul 23 2023

web jul 26 2023 in this article we ll cover everything you should know about employee training tracking including the benefits of tracking employee training top employee training tracking software bonus there s a downloadable employee training tracker excel template top metrics to track for let s get started why track employee training

top 10 employee training tracker excel templates - Dec 16 2022

web sep 27 2022 1 excel timeline training schedule template this template is used for training schedule as it contains the columns of time of the training content department and spokesperson it is a simple training timeline sheet for training purposes 2 excel corporate training implementation plan template

top 10 training tracker excel templates free download - Jun 10 2022

web aug 29 2022 1 training attendance form template use this wps s attendance report to record attendees at individual training sessions each trainee can sign the form to confirm that they attended the session after entering their names try this template in wps and save in word doc free dwnload 2 training effectiveness report template

employee training tracker excel templates - Apr 08 2022

web intermediate excel lessons advanced excel instruction employee training tracker when you need to train new employees it can be hard making sure that they have learned everything that they need to know to get the job done right

free training matrix templates smartsheet - Aug 24 2023

web oct 24 2022 employee training matrix template with sample data cross training matrix template construction training matrix template health and safety training matrix template streamline training and development tracking with real time work management in smartsheet

employee training tracker template my excel templates - Feb 18 2023

web using an employee training tracker template can help to reduce costs be more efficient in the overall process as well as document training programs the employee completes these templates can also aid in keeping track of when refreshment training is needed how to use the employee training tracker template

10 training tracker template excel tracking employee and - May 09 2022

web dec 15 2022 1 today we will be looking at training tracker template excel these templates can be used to track employee training or corporate training there are many different types of training and it is important to keep track of all of it

employee training tracker excel template staff training template - Jan 17 2023

web employee training tracker excel template features this employee training tracker basically helps you organize and track training plan of your employees the main parts of the excel template are as follows dashboard settings databases employee training schedule and registration summary charts training calendar

training tracker excel template adnia solutions - Nov 03 2021

web the employee training tracker is an excel spreadsheet designed to manage the training programs in the organization use this template to track employee training and monitor training budget with this template you will be able to keep track of the learning programs and to plan your team growth

learn the basics how to create a training tracker in excel - Feb 06 2022

web jun 14 2023 open microsoft excel create a header for employees training courses and statuses fill in the training course column select the cells under the status column select the data tab and choose the data validation tool click the allow drop down and choose list from the options type your data validation source and click the ok button

puteaux hauts de seine france health activities accuweather - Jun 23 2022

web weather conditions can be closely tied with health related pains and outdoor activities see a list of your local health and activity forecasts and recommendations

les 10 meilleures choses à faire à hauts de seine 2023 tripadvisor - Oct 28 2022

web les meilleures activités à hauts de seine Île de france découvrez 286 414 avis de voyageurs et photos de 620 choses à faire à hauts de seine sur tripadvisor

conseil départemental des hauts de seine - Jul 25 2022

web oct 27 2023 collectivité hôte les hauts de seine se préparent à résonner au rythme de jeux olympiques et paralympiques 2024 à j 1 an lire la suite Égalité femmes hommes les différentes actions en faveur de l'égalité femmes hommes mises en place par le département maintenant et dans les années à venir

hauts de seine Île de france a pied les meilleures - Jan 31 2023

web jul 1 2021 hauts de seine découvrez les meilleures randonnées 15 a pied 469 marche 22 marche nordique et 42 course à pied tous ces circuits parcours itinéraires et activités en plein air sont disponibles dans nos applications sitytrail

À pied À cheval en âne walk about travel istanbul - Mar 21 2022

web walk about travel istanbul sultanahmet fatih alemdar caddesi n 3b À pied À cheval en âne cette agence gérée par l'amical ferhat occupe le créneau

entre nature et culture évadez vous en hauts de seine - Sep 26 2022

web parcourez le territoire ses espaces verts de proximité et des 575 hectares labellisés espace végétal écologique ses itinéraires de circulation douce en vélo à pieds seul entre amis ou en famille oxygénez vous dans les hauts de seine site internet hauts de seine fr

circuits de course à pied autour des hauts de seine - Dec 30 2022

web la course à pied est l'une des meilleures façons de découvrir la nature autour des hauts de seine pour vous aider à trouver les chemins où faire du jogging nous avons sélectionné les 20 meilleurs itinéraires de course autour des hauts de seine cliquez sur l'un des itinéraires ci dessous et découvrez les photos et conseils d'autres coureurs

idées de balades et randonnées dans les hauts de seine - Jun 04 2023

web idées de balades et randonnées dans les hauts de seine pour vous aider à préparer vos promenades et sorties dans le département des hauts de seine vous trouverez ci dessous de multiples idées de circuits de 8 à 22 km dans un territoire couvert à 45 d'espaces verts et ou boisés l'île marante 11 km 3 heures

j'essaierais de ne pas perdre pied le parisien - May 23 2022

web oct 26 2023 levallois hauts de seine le 26 octobre 2023 a l'image des habitués du bar tabac de la rue louise michel céline la gérante du fontenoy se demande qui parmi ces clients est l'heureux

dere tepe tÜrkiye akdeniz sahil Şeridi belgesel izle - Apr 21 2022

web apr 25 2017 dere tepe türkiye nin ilk çekimleri 1988 de artvin de yapılmış ve barış manço yıllar içerisinde türkiye yi bir uçtan bir uca gezmiştir yorum ekle İlk yorumu siz yapın dİĞer bölÜmler 25 nisan 2017 sezon 0 bölüm 0 adana 25 nisan 2017 sezon 0 bölüm 0 ağrı 25 nisan 2017

la seine et ses îles dans les hauts de seine - Apr 02 2023

web au bord de la seine et sur ses nombreuses îles promenades à pied en canoë visites restaurants et cafés au bord de l'eau

parcs et jardins vous aimez la seine et elle vous le rend bien découvrez des idées d activités autour du fleuve mythique qui donne son nom à notre département

les hauts de seine à pied 29 promenades et randonnées fnac - Aug 26 2022

web des milliers de livres avec la livraison chez vous en 1 jour ou en magasin avec 5 de réduction les hauts de seine à pied 29 promenades et randonnées topo guide pr broché collectif achat livre fnac

rando et vélo dans les hauts de seine - May 03 2023

web que vous soyez amoureux de la nature ou citadin invétéré destination hauts de seine a regroupé pour vous un grand nombre de balades à faire à pied ou en vélo le long de la seine dans le dédale de la défense ou dans les

hauts de seine les meilleurs itinéraires de randonnée alltrails - Aug 06 2023

web hauts de seine prêt e à découvrir les meilleurs itinéraires de randonnée de vtt d itinérance ou d autres activités de plein air alltrails propose 73 sentiers de randonnée circuits vtt parcours en itinérance et bien plus encore

20 randonnées à faire 92 hauts de seine visorando - Jul 05 2023

web visorandonneur 7 23 km 90 m 88 m 2h20 facile départ à sceaux hauts de seine 92 hauts de seine À la découverte du nouvel urbanisme où proximité et diversité sont à l honneur et dont la commune du plessis robinson est un exemple typique

hauts de seine les 10 meilleurs parcours de trail en 2023 - Nov 28 2022

web explorer les randonnées les plus populaires pour la course à pied en hauts de seine avec des cartes de sentiers et des indications routières préparées à la main ainsi que des avis détaillés et des photos de randonneurs de campeurs et

les balades nature dans les hauts de seine - Oct 08 2023

web 10 balades à faire dans l ouest parisien préparez votre retour aux sources fuir la circulation et le bitume parisien pour profiter des premiers rayons de soleil quoi de plus agréable qu une balade à pied entre campagne et ville à seulement quelques minutes de paris se

istanbul visite à pied des hauts lieux du continent asiatique - Feb 17 2022

web kaç canakkale ankara découvrez la face asiatique d istanbul lors de cette visite guidée à pied découvrez des sites hors des sentiers battus comme la promenade côtière d uskudar et le marché local le pont du bosphore et la place mihrimah sultan

villes parcs et forêts des hauts de seine à pied topoguide - Sep 07 2023

web les hauts de seine à découvrir à pied les villes les parcs et la seine en partenariat avec le département des hauts de seine la ffrandonnée a lancé un topoguide dédié à la randonnée dans les hauts de seine marche ou randonnée à la journée vous aimez marcher ou randonner à la journée ou à la demi journée

villes parcs et forêts des hauts de seine à pied - Mar 01 2023

web cette 2ème édition du topoguide villes parcs et forêts des hauts de seine à pied redonne une grande bouffée d air frais aux 25 promenades randonnées pour partir à la découverte des parcs des forêts du riche patrimoine artistique et des endroits méconnus des hauts de seine