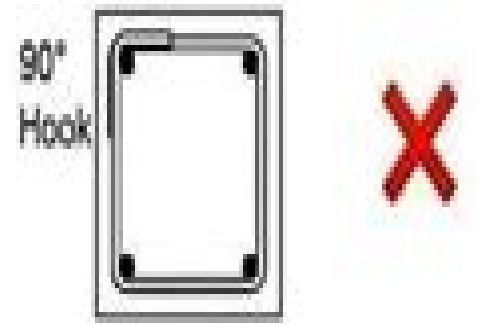
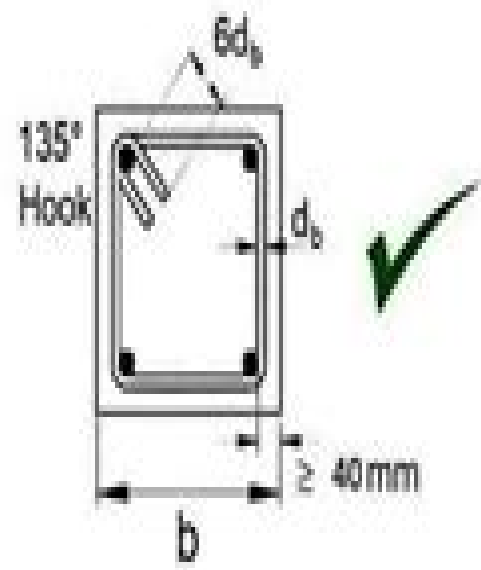
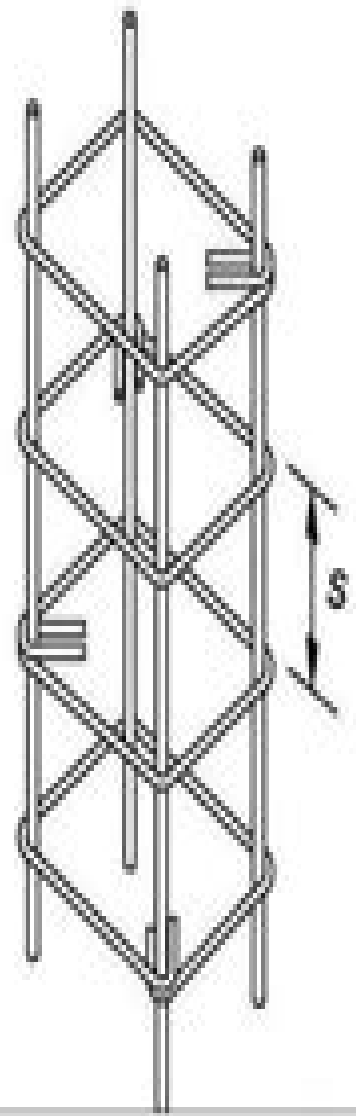
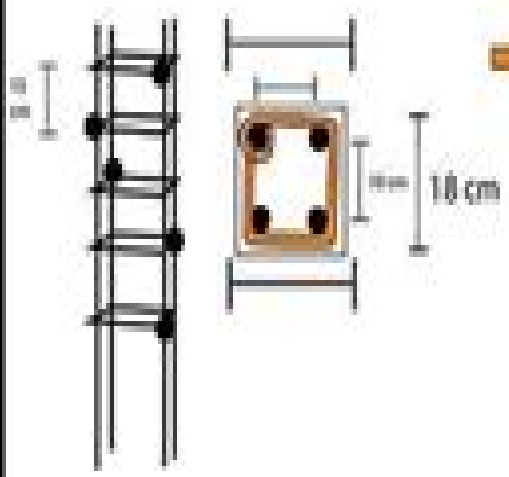


Civil Engineering Basic Knowledge - Formulas

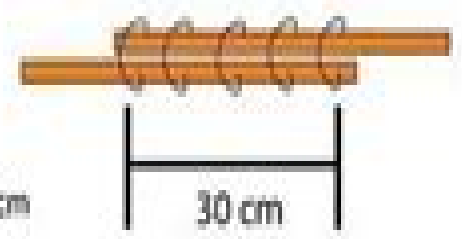
Basic Formulas | Interview Question and Answers | Site Knowledge | QS Knowledge



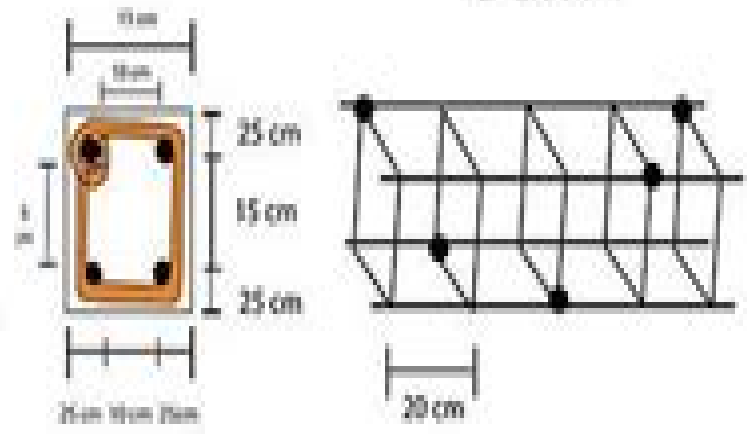
Column



Overlap



Beam



Basic Civil Engineering Tech Max

Michal Rosen-Zvi



Basic Civil Engineering Tech Max:

The Top Books of the Year Basic Civil Engineering Tech Max The year 2023 has witnessed a noteworthy surge in literary brilliance, with numerous compelling novels captivating the hearts of readers worldwide. Lets delve into the realm of top-selling books, exploring the fascinating narratives that have charmed audiences this year. Basic Civil Engineering Tech Max : Colleen Hoover "It Ends with Us" This heartfelt tale of love, loss, and resilience has captivated readers with its raw and emotional exploration of domestic abuse. Hoover masterfully weaves a story of hope and healing, reminding us that even in the darkest of times, the human spirit can succeed. Basic Civil Engineering Tech Max : Taylor Jenkins Reids "The Seven Husbands of Evelyn Hugo" This captivating historical fiction novel unravels the life of Evelyn Hugo, a Hollywood icon who defies expectations and societal norms to pursue her dreams. Reids captivating storytelling and compelling characters transport readers to a bygone era, immersing them in a world of glamour, ambition, and self-discovery. Basic Civil Engineering Tech Max : Delia Owens "Where the Crawdads Sing" This captivating coming-of-age story follows Kya Clark, a young woman who grows up alone in the marshes of North Carolina. Owens crafts a tale of resilience, survival, and the transformative power of nature, captivating readers with its evocative prose and mesmerizing setting. These popular novels represent just a fraction of the literary treasures that have emerged in 2023. Whether you seek tales of romance, adventure, or personal growth, the world of literature offers an abundance of captivating stories waiting to be discovered. The novel begins with Richard Papan, a bright but troubled young man, arriving at Hampden College. Richard is immediately drawn to the group of students who call themselves the Classics Club. The club is led by Henry Winter, a brilliant and charismatic young man. Henry is obsessed with Greek mythology and philosophy, and he quickly draws Richard into his world. The other members of the Classics Club are equally as fascinating. Bunny Corcoran is a wealthy and spoiled young man who is always looking for a good time. Charles Tavis is a quiet and reserved young man who is deeply in love with Henry. Camilla Macaulay is a beautiful and intelligent young woman who is drawn to the power and danger of the Classics Club. The students are all deeply in love with Morrow, and they are willing to do anything to please him. Morrow is a complex and mysterious figure, and he seems to be manipulating the students for his own purposes. As the students become more involved with Morrow, they begin to commit increasingly dangerous acts. The Secret History is a brilliant and gripping novel that will keep you guessing until the very end. The novel is a warning tale about the dangers of obsession and the power of evil.

https://py.bijouxmedusa.com/book/book-search/Documents/strategies_for_startups_55_2048_dropshipping_business_tools_for_creators.pdf

Table of Contents Basic Civil Engineering Tech Max

1. Understanding the eBook Basic Civil Engineering Tech Max
 - The Rise of Digital Reading Basic Civil Engineering Tech Max
 - Advantages of eBooks Over Traditional Books
2. Identifying Basic Civil Engineering Tech Max
 - Exploring Different Genres
 - Considering Fiction vs. Non-Fiction
 - Determining Your Reading Goals
3. Choosing the Right eBook Platform
 - Popular eBook Platforms
 - Features to Look for in an Basic Civil Engineering Tech Max
 - User-Friendly Interface
4. Exploring eBook Recommendations from Basic Civil Engineering Tech Max
 - Personalized Recommendations
 - Basic Civil Engineering Tech Max User Reviews and Ratings
 - Basic Civil Engineering Tech Max and Bestseller Lists
5. Accessing Basic Civil Engineering Tech Max Free and Paid eBooks
 - Basic Civil Engineering Tech Max Public Domain eBooks
 - Basic Civil Engineering Tech Max eBook Subscription Services
 - Basic Civil Engineering Tech Max Budget-Friendly Options
6. Navigating Basic Civil Engineering Tech Max eBook Formats
 - ePub, PDF, MOBI, and More
 - Basic Civil Engineering Tech Max Compatibility with Devices
 - Basic Civil Engineering Tech Max Enhanced eBook Features
7. Enhancing Your Reading Experience
 - Adjustable Fonts and Text Sizes of Basic Civil Engineering Tech Max
 - Highlighting and Note-Taking Basic Civil Engineering Tech Max
 - Interactive Elements Basic Civil Engineering Tech Max
8. Staying Engaged with Basic Civil Engineering Tech Max

- Joining Online Reading Communities
 - Participating in Virtual Book Clubs
 - Following Authors and Publishers Basic Civil Engineering Tech Max
9. Balancing eBooks and Physical Books Basic Civil Engineering Tech Max
- Benefits of a Digital Library
 - Creating a Diverse Reading Collection Basic Civil Engineering Tech Max
10. Overcoming Reading Challenges
- Dealing with Digital Eye Strain
 - Minimizing Distractions
 - Managing Screen Time
11. Cultivating a Reading Routine Basic Civil Engineering Tech Max
- Setting Reading Goals Basic Civil Engineering Tech Max
 - Carving Out Dedicated Reading Time
12. Sourcing Reliable Information of Basic Civil Engineering Tech Max
- Fact-Checking eBook Content of Basic Civil Engineering Tech Max
 - Distinguishing Credible Sources
13. Promoting Lifelong Learning
- Utilizing eBooks for Skill Development
 - Exploring Educational eBooks
14. Embracing eBook Trends
- Integration of Multimedia Elements
 - Interactive and Gamified eBooks

Basic Civil Engineering Tech Max Introduction

In today's digital age, the availability of Basic Civil Engineering Tech Max books and manuals for download has revolutionized the way we access information. Gone are the days of physically flipping through pages and carrying heavy textbooks or manuals. With just a few clicks, we can now access a wealth of knowledge from the comfort of our own homes or on the go. This article will explore the advantages of Basic Civil Engineering Tech Max books and manuals for download, along with some popular platforms that offer these resources. One of the significant advantages of Basic Civil Engineering Tech Max books and manuals for download is the cost-saving aspect. Traditional books and manuals can be costly, especially if you

need to purchase several of them for educational or professional purposes. By accessing Basic Civil Engineering Tech Max versions, you eliminate the need to spend money on physical copies. This not only saves you money but also reduces the environmental impact associated with book production and transportation. Furthermore, Basic Civil Engineering Tech Max books and manuals for download are incredibly convenient. With just a computer or smartphone and an internet connection, you can access a vast library of resources on any subject imaginable. Whether you're a student looking for textbooks, a professional seeking industry-specific manuals, or someone interested in self-improvement, these digital resources provide an efficient and accessible means of acquiring knowledge. Moreover, PDF books and manuals offer a range of benefits compared to other digital formats. PDF files are designed to retain their formatting regardless of the device used to open them. This ensures that the content appears exactly as intended by the author, with no loss of formatting or missing graphics. Additionally, PDF files can be easily annotated, bookmarked, and searched for specific terms, making them highly practical for studying or referencing. When it comes to accessing Basic Civil Engineering Tech Max books and manuals, several platforms offer an extensive collection of resources. One such platform is Project Gutenberg, a nonprofit organization that provides over 60,000 free eBooks. These books are primarily in the public domain, meaning they can be freely distributed and downloaded. Project Gutenberg offers a wide range of classic literature, making it an excellent resource for literature enthusiasts. Another popular platform for Basic Civil Engineering Tech Max books and manuals is Open Library. Open Library is an initiative of the Internet Archive, a non-profit organization dedicated to digitizing cultural artifacts and making them accessible to the public. Open Library hosts millions of books, including both public domain works and contemporary titles. It also allows users to borrow digital copies of certain books for a limited period, similar to a library lending system. Additionally, many universities and educational institutions have their own digital libraries that provide free access to PDF books and manuals. These libraries often offer academic texts, research papers, and technical manuals, making them invaluable resources for students and researchers. Some notable examples include MIT OpenCourseWare, which offers free access to course materials from the Massachusetts Institute of Technology, and the Digital Public Library of America, which provides a vast collection of digitized books and historical documents. In conclusion, Basic Civil Engineering Tech Max books and manuals for download have transformed the way we access information. They provide a cost-effective and convenient means of acquiring knowledge, offering the ability to access a vast library of resources at our fingertips. With platforms like Project Gutenberg, Open Library, and various digital libraries offered by educational institutions, we have access to an ever-expanding collection of books and manuals. Whether for educational, professional, or personal purposes, these digital resources serve as valuable tools for continuous learning and self-improvement. So why not take advantage of the vast world of Basic Civil Engineering Tech Max books and manuals for download and embark on your journey of knowledge?

FAQs About Basic Civil Engineering Tech Max Books

1. Where can I buy Basic Civil Engineering Tech Max books? Bookstores: Physical bookstores like Barnes & Noble, Waterstones, and independent local stores. Online Retailers: Amazon, Book Depository, and various online bookstores offer a wide range of books in physical and digital formats.
2. What are the different book formats available? Hardcover: Sturdy and durable, usually more expensive. Paperback: Cheaper, lighter, and more portable than hardcovers. E-books: Digital books available for e-readers like Kindle or software like Apple Books, Kindle, and Google Play Books.
3. How do I choose a Basic Civil Engineering Tech Max book to read? Genres: Consider the genre you enjoy (fiction, non-fiction, mystery, sci-fi, etc.). Recommendations: Ask friends, join book clubs, or explore online reviews and recommendations. Author: If you like a particular author, you might enjoy more of their work.
4. How do I take care of Basic Civil Engineering Tech Max books? Storage: Keep them away from direct sunlight and in a dry environment. Handling: Avoid folding pages, use bookmarks, and handle them with clean hands. Cleaning: Gently dust the covers and pages occasionally.
5. Can I borrow books without buying them? Public Libraries: Local libraries offer a wide range of books for borrowing. Book Swaps: Community book exchanges or online platforms where people exchange books.
6. How can I track my reading progress or manage my book collection? Book Tracking Apps: Goodreads, LibraryThing, and Book Catalogue are popular apps for tracking your reading progress and managing book collections. Spreadsheets: You can create your own spreadsheet to track books read, ratings, and other details.
7. What are Basic Civil Engineering Tech Max audiobooks, and where can I find them? Audiobooks: Audio recordings of books, perfect for listening while commuting or multitasking. Platforms: Audible, LibriVox, and Google Play Books offer a wide selection of audiobooks.
8. How do I support authors or the book industry? Buy Books: Purchase books from authors or independent bookstores. Reviews: Leave reviews on platforms like Goodreads or Amazon. Promotion: Share your favorite books on social media or recommend them to friends.
9. Are there book clubs or reading communities I can join? Local Clubs: Check for local book clubs in libraries or community centers. Online Communities: Platforms like Goodreads have virtual book clubs and discussion groups.
10. Can I read Basic Civil Engineering Tech Max books for free? Public Domain Books: Many classic books are available for free as they're in the public domain. Free E-books: Some websites offer free e-books legally, like Project Gutenberg or Open Library.

Find Basic Civil Engineering Tech Max :

[strategies for startups 55-2048](#) [dropshipping business tools for creators 55-257](#) [chatbot development tools United States 55-2281](#) [chatbot roadmap for small business 55-1735](#) [luxury travel software for startups digital marketing tools USA 55-1651](#) [digital marketing tools for startups digital marketing tutorial for startups 55-2000](#) [dropshipping business business 55-885](#) [personal finance blueprint America 55-2190](#) [personal step by step for entrepreneurs 55-956](#) [passive income ideas strategies apps for startups 55-2047](#) [interview tips best practices for creators startups 55-2620](#) [cybersecurity examples United States 55-2665](#) [investing tutorial America 55-2925](#) [crypto investing tutorial for beginners United States 55-1159](#) [remote jobs for beginners for 55-1051](#) [blog monetization guide USA 55-1019](#) [blog monetization guide for entrepreneurs 55-217](#) [self improvement review for entrepreneurs 55-2861](#) [USA 55-198](#) [SEO strategy review USA 55-797](#) [SEO strategy review United data science careers step by step United States 55-532](#) [data science](#)

Basic Civil Engineering Tech Max :

English Translation Of Pobre Ana Bailo Tango.pdf View English Translation Of Pobre Ana Bailo Tango.pdf from A EN MISC at Beckman Jr Sr High School. English Translation Of Pobre Ana Bailo Tango Yeah, ... Pobre Ana (Poor Anna) with English Translation! - Chapter 5 Read Chapter 5 from the story Pobre Ana (Poor Anna) with English Translation! by Wolfe225 (That One Girl) with 89610 reads.- Patricia, your bedroom is dirty ... Pobre Ana (Poor Anna) with English Translation! - Chapter 1 Read Chapter 1: from the story Pobre Ana (Poor Anna) with English Translation! by Wolfe225 (That One Girl) with 132691 reads.want this book to be updated? Pobre Ana Balio Tango Summaries Flashcards Poor Ana. Then, Ana went to Mexico with her school. She learned to appreciate her life there. Tap the card to flip. Pobre Ana. Bailó tango | Spanish to English Translation Pobre Ana. Bailó tango toda la noche y ahora le duelen las piernas.Poor Ana. She danced the tango the whole night and now her legs hurt. Pobre Ana bailo tango (Nivel 1 - Libro E) (Spanish Edition) Ana of the first novel in the series, Pobre Ana, is featured in this one too. Now 16, Ana goes to Buenos Aires, where she fulfills her dream to learn to ... Pobre Ana bailo tango Simpli-Guide A must for the teachers using Pobre Ana bailó tango in class!This Simpli-Guide is simply a

guide to using the book in your classes. Pobre Ana bailó tango Book on CD - Blaine Ray Ana, the main character in this story, is the same one from Pobre Ana. In this story the school gives her the opportunity to travel again, this time to Buenos ... Copy of Pobre Ana Bailo Tango Capítulos 3 y 4 Pobre Ana Bailó Tango Capítulos 3 y 4 Cognates:As you read, make a list of at least 10 words that mean the same and look / sound-alike in English and ... Pobre Ana bailo tango (Book on CD) (Spanish Edition) Ana of the first novel in the series, Pobre Ana, is featured in this one too. Now 16, Ana goes to Buenos Aires, where she fulfills her dream to learn to dance ... Instructor's Resource Manual to Accompany Information ... Instructor's Resource Manual to Accompany Information Technology for the Health Professions, 3rd Edition [Lillian Burke, Barbara Weill] on Amazon.com. Information Technology for the Health Professions ... Information Technology for the Health Professions-Instructor's Resource Manual with Test Bank and Power Point Lecture CD-ROM ; Publisher. Pearson Prentice Hall. Health Information Technology (Instructor's Resource Manual) Health Information Technology (Instructor's Resource Manual) - Softcover ; Featured Edition. ISBN 10: ISBN 13: 9781416023166. Publisher: Saunders, 2007 Component 6: Health Management Information Systems ... Instructors This Instructor Manual is a resource for instructors using this component. ... Resource Center for Health Information Technology under Contract No. Online Store - My ACHE Price: ; ISBN:9781640551916 ; Number of pages:465 ; Edition: 9 ; Year published:2021 ; Print date:2020-08-01T00:00:00. Health Information Management & Technology Library Guide Aug 31, 2023 — Health information technology (health IT) makes it possible for health care providers to better manage patient care through secure use and ... Health Information Technology and Management - TCC OER ... A free course from Carnegie Mellon University that offers an overview of healthcare, health information technology, and health information management systems. Faculty Resource Manual Shall provide information to the General Faculty regarding activities of the Faculty Senate. ... Director of Information Technology. Of the four (4) faculty, one ... Health Information Technology | Health Sciences The Health Information Technology Associate in Science (A.S.) degree at Valencia College is a two-year program with online courses that prepares you to go ... A+ Guide to Managing & Maintaining Your PC - Amazon.com Written by best-selling author and educator Jean Andrews, A+ GUIDE TO MANAGING AND MAINTAINING YOUR PC closely integrates the CompTIA+ Exam objectives to ... A+ Guide to Managing & Maintaining Your PC, 8th Edition Learn about the various parts inside a computer case and how they connect together and are compatible. • Learn how to protect yourself and the equipment. A+ Guide to Managing & Maintaining Your PC (with Printed ... This product is the A+ CompTIA Guide to Managing and Maintianing Your PC 8th Edition by Jean Andrews. It contains highlights and underlines in the first ... A+ Guide to Managing & Maintaining Your PC, 8th Edition Make notes for backtracking. • Remove loose jewelry that might get caught. • Stay organized by keeping small parts in one place. A+ Guide to Managing and Maintaining Your PC 8th Ed. Ch.3 A+ Guide to Managing and Maintaining Your PC 8th Edition Ch 3 Learn with flashcards, games, and more — for free. A+ Guide to Managing & Maintaining Your PC - 8th edition Written by best-

selling author and educator Jean Andrews, A+ GUIDE TO MANAGING AND MAINTAINING YOUR PC closely integrates the CompTIA A+ Exam objectives to ... A+ Guide to Managing & Maintaining Your PC 8th Edition Access A+ Guide to Managing & Maintaining Your PC 8th Edition solutions now. Our solutions are written by Chegg experts so you can be assured of the highest ... A+ Guide to Managing and Maintaining Your PC 8th Ed. Ch.1 a document that explains how to properly handle substances such as chemical solvents, it includes information such as physical data, toxicity, health effects, ... CompTIA A+ Guide to Managing and Maintaining Your PC ... Guide book to your pc · Great and well details product. · Really thoroughly explains everything about computers. Especially hardware. · Great value. · Great for ... A+ Guide to Managing & Maintaining Your PC, 8th Edition Aug 12, 2017 — A+ Guide to Managing and Maintaining Your PC, 7e Chapter 15 Tools for Solving Windows Problems.