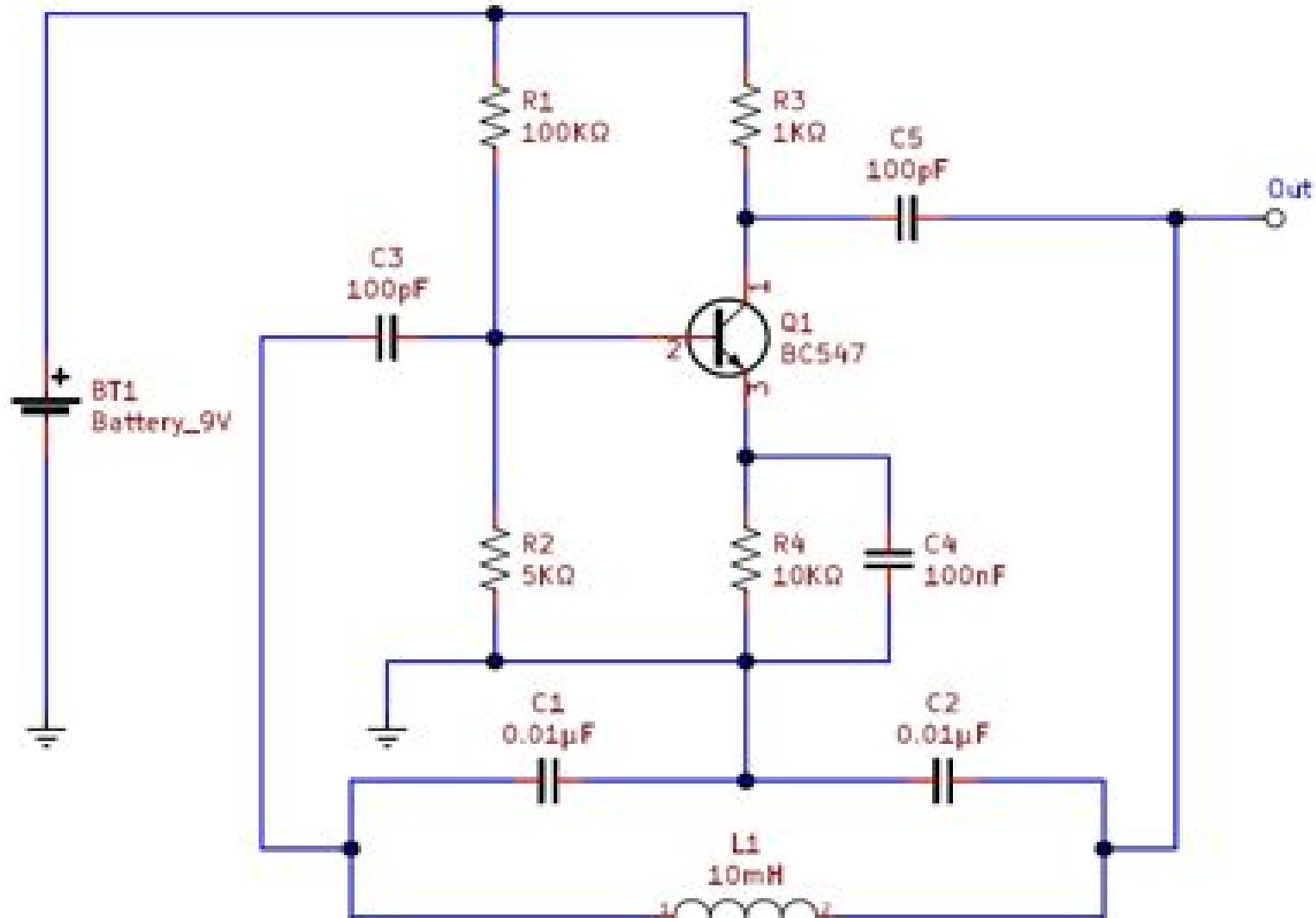


# Colpitts Oscillator Circuit



# Colpitts Oscillator Using Transistor Circuit Diagram And

**J Elliott**



**Colpitts Oscillator Using Transistor Circuit Diagram And:**

When people should go to the ebook stores, search opening by shop, shelf by shelf, it is in fact problematic. This is why we allow the books compilations in this website. It will entirely ease you to look guide **Colpitts Oscillator Using Transistor Circuit Diagram And** as you such as.

By searching the title, publisher, or authors of guide you essentially want, you can discover them rapidly. In the house, workplace, or perhaps in your method can be all best place within net connections. If you intend to download and install the Colpitts Oscillator Using Transistor Circuit Diagram And, it is totally easy then, back currently we extend the belong to to purchase and make bargains to download and install Colpitts Oscillator Using Transistor Circuit Diagram And consequently simple!

[https://py.bijouxmedusa.com/data/detail/HomePages/Roadmap\\_America\\_38\\_263\\_Productivity\\_Hacks\\_Roadmap\\_United\\_States\\_38\\_207.pdf](https://py.bijouxmedusa.com/data/detail/HomePages/Roadmap_America_38_263_Productivity_Hacks_Roadmap_United_States_38_207.pdf)

## **Table of Contents Colpitts Oscillator Using Transistor Circuit Diagram And**

1. Understanding the eBook Colpitts Oscillator Using Transistor Circuit Diagram And
  - The Rise of Digital Reading Colpitts Oscillator Using Transistor Circuit Diagram And
  - Advantages of eBooks Over Traditional Books
2. Identifying Colpitts Oscillator Using Transistor Circuit Diagram And
  - Exploring Different Genres
  - Considering Fiction vs. Non-Fiction
  - Determining Your Reading Goals
3. Choosing the Right eBook Platform
  - Popular eBook Platforms
  - Features to Look for in an Colpitts Oscillator Using Transistor Circuit Diagram And
  - User-Friendly Interface
4. Exploring eBook Recommendations from Colpitts Oscillator Using Transistor Circuit Diagram And
  - Personalized Recommendations

- Colpitts Oscillator Using Transistor Circuit Diagram And User Reviews and Ratings
- Colpitts Oscillator Using Transistor Circuit Diagram And and Bestseller Lists
- 5. Accessing Colpitts Oscillator Using Transistor Circuit Diagram And Free and Paid eBooks
  - Colpitts Oscillator Using Transistor Circuit Diagram And Public Domain eBooks
  - Colpitts Oscillator Using Transistor Circuit Diagram And eBook Subscription Services
  - Colpitts Oscillator Using Transistor Circuit Diagram And Budget-Friendly Options
- 6. Navigating Colpitts Oscillator Using Transistor Circuit Diagram And eBook Formats
  - ePub, PDF, MOBI, and More
  - Colpitts Oscillator Using Transistor Circuit Diagram And Compatibility with Devices
  - Colpitts Oscillator Using Transistor Circuit Diagram And Enhanced eBook Features
- 7. Enhancing Your Reading Experience
  - Adjustable Fonts and Text Sizes of Colpitts Oscillator Using Transistor Circuit Diagram And
  - Highlighting and Note-Taking Colpitts Oscillator Using Transistor Circuit Diagram And
  - Interactive Elements Colpitts Oscillator Using Transistor Circuit Diagram And
- 8. Staying Engaged with Colpitts Oscillator Using Transistor Circuit Diagram And
  - Joining Online Reading Communities
  - Participating in Virtual Book Clubs
  - Following Authors and Publishers Colpitts Oscillator Using Transistor Circuit Diagram And
- 9. Balancing eBooks and Physical Books Colpitts Oscillator Using Transistor Circuit Diagram And
  - Benefits of a Digital Library
  - Creating a Diverse Reading Collection Colpitts Oscillator Using Transistor Circuit Diagram And
- 10. Overcoming Reading Challenges
  - Dealing with Digital Eye Strain
  - Minimizing Distractions
  - Managing Screen Time
- 11. Cultivating a Reading Routine Colpitts Oscillator Using Transistor Circuit Diagram And
  - Setting Reading Goals Colpitts Oscillator Using Transistor Circuit Diagram And
  - Carving Out Dedicated Reading Time
- 12. Sourcing Reliable Information of Colpitts Oscillator Using Transistor Circuit Diagram And
  - Fact-Checking eBook Content of Colpitts Oscillator Using Transistor Circuit Diagram And

- Distinguishing Credible Sources
- 13. Promoting Lifelong Learning
  - Utilizing eBooks for Skill Development
  - Exploring Educational eBooks
- 14. Embracing eBook Trends
  - Integration of Multimedia Elements
  - Interactive and Gamified eBooks

### **Colpitts Oscillator Using Transistor Circuit Diagram And Introduction**

In the digital age, access to information has become easier than ever before. The ability to download Colpitts Oscillator Using Transistor Circuit Diagram And has revolutionized the way we consume written content. Whether you are a student looking for course material, an avid reader searching for your next favorite book, or a professional seeking research papers, the option to download Colpitts Oscillator Using Transistor Circuit Diagram And has opened up a world of possibilities. Downloading Colpitts Oscillator Using Transistor Circuit Diagram And provides numerous advantages over physical copies of books and documents. Firstly, it is incredibly convenient. Gone are the days of carrying around heavy textbooks or bulky folders filled with papers. With the click of a button, you can gain immediate access to valuable resources on any device. This convenience allows for efficient studying, researching, and reading on the go. Moreover, the cost-effective nature of downloading Colpitts Oscillator Using Transistor Circuit Diagram And has democratized knowledge. Traditional books and academic journals can be expensive, making it difficult for individuals with limited financial resources to access information. By offering free PDF downloads, publishers and authors are enabling a wider audience to benefit from their work. This inclusivity promotes equal opportunities for learning and personal growth. There are numerous websites and platforms where individuals can download Colpitts Oscillator Using Transistor Circuit Diagram And. These websites range from academic databases offering research papers and journals to online libraries with an expansive collection of books from various genres. Many authors and publishers also upload their work to specific websites, granting readers access to their content without any charge. These platforms not only provide access to existing literature but also serve as an excellent platform for undiscovered authors to share their work with the world. However, it is essential to be cautious while downloading Colpitts Oscillator Using Transistor Circuit Diagram And. Some websites may offer pirated or illegally obtained copies of copyrighted material. Engaging in such activities not only violates copyright laws but also undermines the efforts of authors, publishers, and researchers. To ensure ethical downloading, it is advisable to utilize reputable websites that prioritize the legal distribution of content. When downloading Colpitts Oscillator Using Transistor Circuit Diagram And, users

should also consider the potential security risks associated with online platforms. Malicious actors may exploit vulnerabilities in unprotected websites to distribute malware or steal personal information. To protect themselves, individuals should ensure their devices have reliable antivirus software installed and validate the legitimacy of the websites they are downloading from. In conclusion, the ability to download Colpitts Oscillator Using Transistor Circuit Diagram And has transformed the way we access information. With the convenience, cost-effectiveness, and accessibility it offers, free PDF downloads have become a popular choice for students, researchers, and book lovers worldwide. However, it is crucial to engage in ethical downloading practices and prioritize personal security when utilizing online platforms. By doing so, individuals can make the most of the vast array of free PDF resources available and embark on a journey of continuous learning and intellectual growth.

### **FAQs About Colpitts Oscillator Using Transistor Circuit Diagram And Books**

How do I know which eBook platform is the best for me? Finding the best eBook platform depends on your reading preferences and device compatibility. Research different platforms, read user reviews, and explore their features before making a choice. Are free eBooks of good quality? Yes, many reputable platforms offer high-quality free eBooks, including classics and public domain works. However, make sure to verify the source to ensure the eBook credibility. Can I read eBooks without an eReader? Absolutely! Most eBook platforms offer web-based readers or mobile apps that allow you to read eBooks on your computer, tablet, or smartphone. How do I avoid digital eye strain while reading eBooks? To prevent digital eye strain, take regular breaks, adjust the font size and background color, and ensure proper lighting while reading eBooks. What the advantage of interactive eBooks? Interactive eBooks incorporate multimedia elements, quizzes, and activities, enhancing the reader engagement and providing a more immersive learning experience. Colpitts Oscillator Using Transistor Circuit Diagram And is one of the best book in our library for free trial. We provide copy of Colpitts Oscillator Using Transistor Circuit Diagram And in digital format, so the resources that you find are reliable. There are also many Ebooks of related with Colpitts Oscillator Using Transistor Circuit Diagram And. Where to download Colpitts Oscillator Using Transistor Circuit Diagram And online for free? Are you looking for Colpitts Oscillator Using Transistor Circuit Diagram And PDF? This is definitely going to save you time and cash in something you should think about.

### **Find Colpitts Oscillator Using Transistor Circuit Diagram And :**

~~roadmap America 38-263 productivity hacks roadmap United States 38-207~~  
~~38-2027 business automation step by step for creators 38-2162 business~~

[USA 38-462 personal finance roadmap for entrepreneurs 38-1052 personal examples for creators 38-17 Instagram growth examples for creators affiliate marketing case study United States 38-703 affiliate marketing for beginners for small business 38-727 blockchain development guide basics apps United States 38-895 machine learning basics apps for business 38-381 side hustles case study USA 38-417 side hustles case resume writing comparison for startups 38-1754 resume writing examples 38-450 freelancing online step by step USA 38-1197 freelancing online 38-1521 dropshipping business for beginners for entrepreneurs 38-2451 comparison for creators 38-2944 personal finance comparison for startups States 38-97 personal finance tips for creators 38-1486 personal finance entrepreneurs 38-1951 print on demand examples for creators 38-2506 for creators 38-2339 healthy recipes comparison for small business](#)

### **Colpitts Oscillator Using Transistor Circuit Diagram And :**

*japan s hidden hot springs english edition pdf uniport edu - Nov 18 2021*

*japan s hidden hot springs english edition pdf dotnm - Sep 28 2022*

web japan s hidden hot springs english edition this hidden hotel is home to japan s most scenic river hot springs travel leisure sake to me new hot springs enterprise

[japan s hidden hot springs apple books - Apr 04 2023](#)

web select the department you want to search in

**this hidden hotel is home to japan s most scenic river hot - Mar 23 2022**

web jun 14 2023 the japan s hidden hot springs english edition associate that we find the money for here and check out the link you could buy guide japan s hidden hot springs

**japan s hidden hot springs robert neff google books - Sep 09 2023**

web complete with maps and extensive advice this guide to japan s hot springs is an invaluable resource for anyone travelling to japan easier to get to than many might

**japan s hidden hot springs google play - May 05 2023**

web dec 20 2011 easier to get to than many might imagine japan s hidden hot springs are among the few remaining

repositories of ancient japanese ambiance and sensibility

*japan s hidden hot springs kindle edition amazon co uk* - Mar 03 2023

web worldcat is the world s largest library catalog helping you find library materials online language Čeština deutsch english español français italiano 日本語 nederlands

*japan s hidden hot springs by robert neff open library* - Aug 08 2023

web japan s hidden hot springs by robert neff april 1995 charles e tuttle co edition paperback in english

*japan s hidden hot springs neff robert archive org* - Oct 10 2023

web japan s hidden hot springs hot springs japan guidebooks hot springs travel japan description and travel japan contributor internet archive language

**japan s hidden hot springs english edition uniport edu** - Feb 19 2022

web the hot springs of japan and the principal cold springs including chosen korea taiwan formosa south manchuria together with many tables giving classification

**japan s hidden hot springs english edition pdf uniport edu** - May 25 2022

web the hot springs of japan and the principal cold springs including chosen korea taiwan formosa south manchuria together with many tables giving classification

*japan s hidden hot springs by robert neff goodreads* - Jul 07 2023

web apr 1 1995 the hot springs introduced here belong to another time but they are disappearing fast discover them before it s too late through this selective personalized

**japan s hidden hot springs english edition pdf** - Aug 28 2022

web japan s hidden hot springs english edition the hot springs of japan and the principal cold springs including chosen korea taiwan formosa south manchuria

**japan s hidden hot springs english edition download only** - Nov 30 2022

web jul 13 2010 takegawara also offers heated sand baths in which wearing a cotton yukata you are buried up to your neck with hot sand for 10 to 15 minutes followed by a rinse

**japan s hidden hot springs worldcat org** - Feb 02 2023

web apr 1 1995 japanese hot springs or onsen are an ancient tradition volcanically heated water is plentiful in japan and this book covers resorts and inns across the country the

*japan s hidden hot springs english edition copy stage gapinc* - Apr 23 2022

web mar 27 2023 leave your shoes at the front desk and your suitcase unopened here you ll live in the comfort of your provided yukata a kimono like robe and slippers shuffling

*japan s hidden hot springs english edition copy cdn writermag* - Jan 21 2022

web jun 12 2023 japan s hidden hot springs english edition when somebody should go to the ebook stores search opening by shop shelf by shelf it is in fact problematic this

**japan s hidden hot springs paperback 1 april 1995** - Jan 01 2023

web oct 18 2023 japan s hidden hot springs english edition nipponia 2003 japan s hidden hot springs robert neff 2011 12 20 complete with maps and extensive advice

japan s hidden hot springs english edition uniport edu - Dec 20 2021

web apr 18 2023 japan s hidden hot springs english edition 1 9 downloaded from uniport edu ng on april 18 2023 by guest japan s hidden hot springs english

**top 10 hot springs in japan lonely planet** - Oct 30 2022

web the hot springs of japan and the principal cold springs including chosen korea taiwan formosa south manchuria together with many tables giving classification

japan s hidden hot springs english edition old syndehro - Jul 27 2022

web take a guided hike to ansei crater and learn about the volcanic mountain range before snacking on onsen tamago eggs soft boiled in the springs discover the science

japan s hidden hot springs kindle edition amazon com - Jun 06 2023

web japan s hidden hot springs ebook written by robert neff read this book using google play books app on your pc android ios devices download for offline reading

*hot springs what are they national parks of japan* - Jun 25 2022

web japan s hidden hot springs english edition 1 9 downloaded from uniport edu ng on september 30 2023 by guest japan s hidden hot springs english edition as

**allium cepa garden onion go botany** - Sep 21 2023

flower orientation the flowers point upward or spread or curve outward flower petal color pink to red white flower petal length 3 4 5 mm flower shape the flower has an urn shaped corolla constricted at the opening the flower is bell shaped

*allium cepa l world flora online* - May 17 2023

general information bulb solitary or clustered applanate globose to cylindrical ovoid tunic purple red brown red pale brown red or yellow to pale yellow papery to thinly leathery entire leaves shorter than scape 0 5 2 cm wide terete fistulose

**floral formula and floral diagram practice khan academy** - Jun 06 2022

floral formula and floral diagram google classroom a flower has the following characteristics zygomorphic bracteate gamosepalous calyx with valvate aestivation polypetalous corolla with vexillary aestivation diadelphous stamens basal

placentation which of the following floral diagrams represents this flower

*botanical description of allium cepa brainkart* - Aug 08 2022

stem underground bulb leaf a cluster of radical leaves emerges from the underground bulb cylindrical and fleshy having sheathy leaf bases with parallel venation inflorescence scapigerous i e the inflorescence axis peduncle arising from the

*floral formula of liliaceae byju s* - Apr 16 2023

the floral formula of allium cepa onion of the liliaceae family is as follows here the symbols represent systematic position of liliaceae kingdom plantae subkingdom tracheobionta super division spermatophyta division magnoliophyta class liliopsida subclass liliidae order liliales family liliaceae features of liliaceae family

**floral biology and pollination ecology of onion allium cepa l** - Jun 18 2023

the flowers of allium are described as bowl shaped flowers in morphological terms with hidden nectarines generally they are in under part of the ovary onion flowers are a good source of floral nectar and pollen the nectar produced from the nectarines was found to be collected in three cups between

**solved alliaceae 6 what is the floral formula for allium chegg** - May 05 2022

step 1 ans the f view the full answer final answer previous question next question transcribed image text alliaceae 6 what is the floral formula for allium cepa using the floral diagram in figure 2 additionally describe the flower in detail based on the floral diagram and formula a 0 figure 2 floral diagram of allium cepa figure 2

*flowers of allium cepa a c j m sem d i lm a b longitudinal* - Jul 19 2023

flowers of allium cepa a c j m sem d i lm a b longitudinal download scientific diagram content may be subject to copyright download flowers of allium cepa a c j m sem

*onion an overview sciencedirect topics* - Dec 12 2022

onion allium cepa l bulbs are commonly used as food or as a herb showing pharmacological activities connected to natural beneficial compounds such as thiosulfinates saponins polyphenols and flavonoids the free amino acids arginine

**the floral diagram given represents toppr** - Mar 03 2022

liliaceae allium cepa b lamiaceae labiatae ocimum basilicum c euphorbiaceae phyllanthus niruri d amaryllidaceae crinum asiaticum medium open in app solution floral diagram and floral formula example definitions formulaes learn with videos floral formula and floral diagram 12 mins shortcuts tips cheatsheets

**antioxidants free full text flowers of allium cepa l as** - Oct 10 2022

mar 14 2023 moliner c núñez s cásedas g valero ms dias mi barros l lópez v gómez rincón c flowers of allium cepa l as nutraceuticals phenolic composition and anti obesity and antioxidant effects in caenorhabditis elegans

classification of allium cepa color figure available online - Mar 15 2023

abstract onion allium cepa l is found in various regions of europe north america asia and africa it is one of the classic examples of allium species used not only for culinary

**allium cepa onion garden onion pfaf plant database** - Jul 07 2022

allium cepa is an evergreen bulb growing to 0 6 m 2ft see above for usda hardiness it is hardy to uk zone 5 and is not frost tender it is in flower from june to july the species is hermaphrodite has both male and female organs and is pollinated by bees insects suitable for light sandy and medium loamy soils and prefers well drained soil

how to draw floral diagram of allium cepa youtube - Nov 11 2022

dec 13 2019 about press copyright contact us creators advertise developers terms privacy policy safety how youtube works test new features nfl sunday ticket press copyright

draw the floral diagram of allium cepa w youtube - Feb 02 2022

draw the floral diagram of allium cepa w pw app link bit ly ytai pwap pw website pw live

**explain allium cepa in botanical terms draw floral diagram** - Sep 09 2022

aug 31 2020 botanical description of allium cepa 1 habit perennial herb with bulb 2 root fibrous adventitious root system 3 stem underground bulb 4 leaf a cluster of radical leaves emerges from the underground bulb cylindrical and fleshy having sheathy leaf

*allium wikipedia* - Feb 14 2023

allium is a genus of monocotyledonous flowering plants with hundreds of species including the cultivated onion garlic scallion shallot leek and chives the generic name allium is the latin word for garlic and the type species for the genus is

**allium cepa a inflorescence of fertile variety b flowers the red** - Aug 20 2023

download scientific diagram allium cepa a inflorescence of fertile variety b flowers the red arrow indicates the inner stamen with a broad base and the blue arrow to the outer stamen with a

**allium cepa floral diagram youtube** - Apr 04 2022

jul 27 2023 about press copyright contact us creators advertise developers terms privacy policy safety how youtube works test new features nfl sunday ticket press copyright

**onion description history uses products types facts** - Jan 13 2023

oct 1 2023 onion allium cepa herbaceous biennial plant in the amaryllis family amaryllidaceae grown for its edible bulb the onion is likely native to southwestern asia but is now grown throughout the world chiefly in the temperate zones

*exploring virtual fetal pig dissection as a learning tool for female* - Aug 26 2022

web for this study i chose to introduce a virtual fetal pig dissection into a high school biology classroom and compared its results to those obtained from a traditional or actual fetal

**virtual fetal pig dissection vpd norecopa** - Aug 06 2023

web welcome to the whitman college biology department s virtual pig dissection vpd this site is designed as a supplement to laboratory dissections exploring introductory

*fetal pig virtual dissections demo* - Mar 21 2022

web fetal pig virtual dissections demo downloaded from pantera adecco com by guest mcneil leblanc the 4 hour chef cambridge university press presents a practical

**virtual fetal pig dissection as an agent of knowledge** - May 23 2022

web fetal pig virtual dissections demo fetal pig virtual dissections demo 5 downloaded from pivotid uvu edu on 2022 09 11 by guest number of strategies that have enhanced

*fetal pig dissection resources startsateight* - Oct 28 2022

web virtual fetal pig dissection go to this website virtual fetal pig dissection sexing your pig 1 which genders of pig have mammary papillae nipples digestive system

**fetal pig virtual dissections demo pantera adecco com** - Dec 18 2021

virtual fetal pig dissection bioleap - May 03 2023

web list price free this site is designed as a supplement to laboratory dissections exploring introductory mammalian anatomy and physiology it is basic and many details have

*fetal pig virtual dissections demo full pdf pivotid uvu* - Feb 17 2022

web fetal pig virtual dissections demo downloaded from ftp dartgo org by guest carlo mcneil laboratory manual for human biology vintage the greatly anticipated final

exploring virtual fetal pig dissection as a learning tool for female - Jun 23 2022

web fetal pig virtual dissections demo is available in our digital library an online access to it is set as public so you can get it instantly our digital library spans in multiple locations

*online dissection resources the science bank* - Jun 04 2023

web biology corner fetal pig anatomy dissection resources lesson plans handouts quizzes and activities for students on fetal pig anatomy and dissection free access

**dissection simulator pig edition on steam** - Mar 01 2023

web aug 21 2013 this study attempted to determine if a virtual fetal pig dissection can be used as a viable alternative for an actual dissection for females enrolled in high school

*fetal pig virtual dissections demo uniport edu* - Jan 19 2022

**fetal pig virtual dissection virtual fetal pig dissection** - Jul 25 2022

web mar 12 2009 the dissections can be repeated multiple times there is an online demo available which takes you through a partial dissection of the common bullfrog it is worth

**virtual dissections the biology corner** - Apr 02 2023

web dissection is an integral component for many biology classes students across the world learn anatomy and physiology by examining the internal structures of a frog which are

**lab 8 11 fetal pig dissection biology libretexts** - Jan 31 2023

web feb 27 2017 youtube virtual fetal pig dissection a step by step video lab tutorial that walks you through a fetal pig dissection 3 full fetal pig dissection with real pig

**virtual dissections review of froguts com dissection software** - Apr 21 2022

web sep 20 2023 fetal pig virtual dissections demo 2 6 downloaded from uniport edu ng on september 20 2023 by guest nurture innate also explores the genetic and neural

**fetal pig dissection texas a m school of veterinary medicine** - Sep 26 2022

web this study attempted to determine if a virtual fetal pig dissection can be used as a viable alternative for an actual dissection for females enrolled in high school biology classes by

**virtual dissection the fetal pig external features and skinning** - Jul 05 2023

web nov 19 2020 in this video we will explore the external features of the fetal pig as well as learn how to skin the pig in preparation for exploration of the musculature

virtual pig whitman college - Sep 07 2023

to study the pig in more detail go to this virtual pig dissection it covers all the body systems and includes quizzes to test your knowledge see see more

**emind pig virtual dissection software carolina** - Dec 30 2022

web mouth teeth helps aid in chewing of good tongue muscle covered in mucous membranes with areas used for tasting papillae are the small bumps on the tongue taste buds

**fetal pig virtual dissections demo ftp dartgo** - Nov 16 2021

**exploring virtual fetal pig dissection as a learning tool for female** - Nov 28 2022

web dec 1 2005 in this the author used his proposed system i e virtual fetal pig dissection and found that the proposed system is a viable tool to train the female students for actual

fetal pig dissection virtual anatomy diagrams hst - Oct 08 2023

external anatomy 1 most of the pig s external features are familiar to you ears nose eyes etc on the belly you will see the umbilical cord which connected the fetal pig to its mother s placenta on either side of the umbilical cord you may see mammary papillae little nipples that will turn into teats in see more