

# Activity - Practice with Complex Circuits

$$V = IR$$

## Part I

In the circuits below, the voltage of the battery is 12 V and each resistor is 2  $\Omega$ . For each circuit:

a) Describe the circuit and any assumptions you make. Which resistors are in series? Which are in parallel?

b) Calculate the current through each resistor and the voltage across each resistor.

$$\text{Total: } 8 + 2 = 10$$

$$\text{Series} = 2 + 2 + 2 + 2 = 8 \Omega$$

$$\text{Parallel} = \frac{1}{2} = 2 \Omega$$

$$V = IR \rightarrow I = \frac{V}{R} = \frac{12}{10} = 1.2 \text{ A}$$

$$A = \frac{2 \Omega}{4.67} (12)$$

5.13

$$2 + 2 = 4 \Omega (\text{series}) \quad \frac{1}{2} + \frac{1}{2} + \frac{1}{2} = \frac{3}{2} = \frac{2}{3} (\text{parallel})$$

$$4 + \frac{2}{3} = 4.67 \Omega = \text{total}$$

$$\frac{1.2}{2} = 0.6 \text{ A for parallel resistors}$$

$$V = IR = (0.6)(2) = 1.2 \text{ V}$$

$$V = IR$$

$$I = \frac{V}{R} = \frac{12}{4.67}$$

$$I = 2.57$$

$$\frac{2.57 \text{ A}}{3} = 0.86 \text{ A}$$

$$V = IR$$

$$V = (0.86)(\frac{2}{3})$$

$$V = 0.57 \text{ V}$$

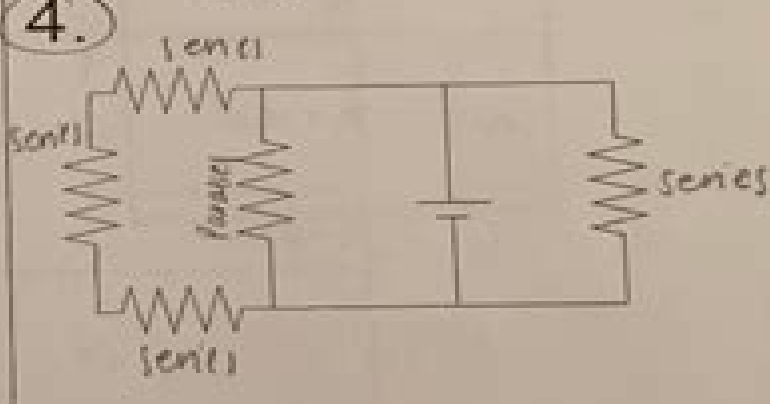
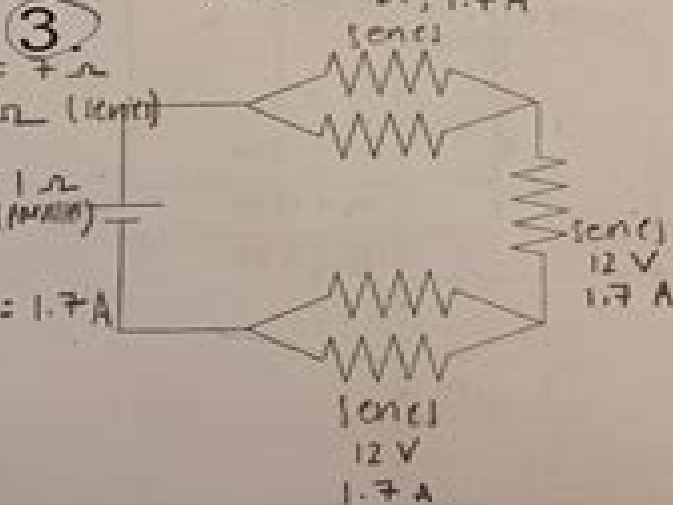
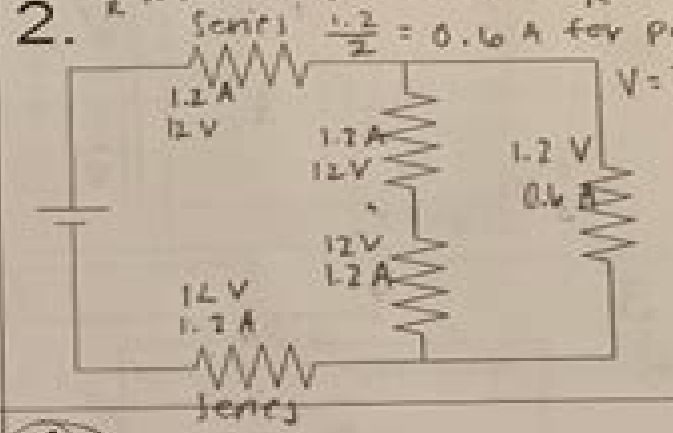
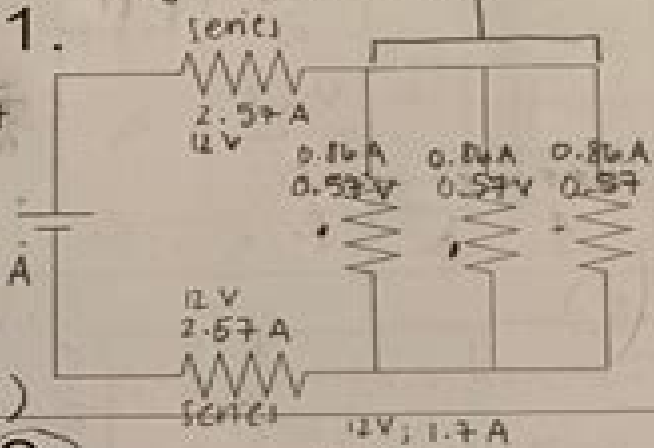
$$\text{Total } R = 6 + 1 = 7 \Omega$$

$$2 + 2 + 2 = 6 \Omega (\text{series})$$

$$\frac{1}{2} + \frac{1}{2} = \frac{2}{2} = 1 \Omega (\text{parallel})$$

$$V = IR$$

$$I = \frac{V}{R} = \frac{12}{7} = 1.7 \text{ A}$$



# Complex Circuit Problems And Solutions

**University of Colorado**

The logo of the University of Colorado, featuring a stylized red and white circular emblem.

## **Complex Circuit Problems And Solutions:**

**Electric Circuit Problems with Solutions** F. A. Benson, 2012-12-06 Electrical engineering and electronic engineering students have frequently to resolve and simplify quite complex circuits in order to understand them or to obtain numerical results and a sound knowledge of basic circuit theory is therefore essential The author is very much in favour of tutorials and the solving of problems as a method of education Experience shows that many engineering students encounter difficulties when they first apply their theoretical knowledge to practical problems Over a period of about twenty years the author has collected a large number of problems on electric circuits while giving lectures to students attending the first two post intermediate years of University engineering courses The purpose of this book is to present these problems a total of 365 together with many solutions some problems with answers given at the end of each Chapter are left as student exercises in the hope that they will prove of value to other teachers and students Solutions are separated from the problems so that they will not be seen by accident The answer is given at the end of each problem however for convenience Parts of the book are based on the author's previous work *Electrical Engineering Problems with Solutions* which was published in 1954

**Electric Circuit Problems with Solutions** F. A. Benson, 1975-04-24 Electrical engineering and electronic engineering students have frequently to resolve and simplify quite complex circuits in order to understand them or to obtain numerical results and a sound knowledge of basic circuit theory is therefore essential The author is very much in favour of tutorials and the solving of problems as a method of education Experience shows that many engineering students encounter difficulties when they first apply their theoretical knowledge to practical problems Over a period of about twenty years the author has collected a large number of problems on electric circuits while giving lectures to students attending the first two post intermediate years of University engineering courses The purpose of this book is to present these problems a total of 365 together with many solutions some problems with answers given at the end of each Chapter are left as student exercises in the hope that they will prove of value to other teachers and students Solutions are separated from the problems so that they will not be seen by accident The answer is given at the end of each problem however for convenience Parts of the book are based on the author's previous work *Electrical Engineering Problems with Solutions*, which was published in 1954

**Practical Synthesis of High-Performance Analog Circuits** Emil S. Ochotta, Tamal Mukherjee, Rob A. Rutenbar, L. Richard Carley, 2012-12-06 *Practical Synthesis of High Performance Analog Circuits* presents a technique for automating the design of analog circuits Market competition and the astounding pace of technological innovation exert tremendous pressure on circuit design engineers to turn ideas into products quickly and get them to market In digital Application Specific Integrated Circuit ASIC design computer aided design CAD tools have substantially eased this pressure by automating many of the laborious steps in the design process thereby allowing the designer to maximise his design expertise But the world is not solely digital Cellular telephones magnetic disk drives neural networks and speech recognition systems are a few of the

recent technological innovations that rely on a core of analog circuitry and exploit the density and performance of mixed analog digital ASICs To maximize profit these mixed signal ASICs must also make it to market as quickly as possible However although the engineer working on the digital portion of the ASIC can rely on sophisticated CAD tools to automate much of the design process there is little help for the engineer working on the analog portion of the chip With the exception of simulators to verify the circuit design when it is complete there are almost no general purpose CAD tools that an analog design engineer can take advantage of to automate the analog design flow and reduce his time to market Practical Synthesis of High Performance Analog Circuits presents a new variation tolerant analog synthesis strategy that is a significant step towards ending the wait for a practical analog synthesis tool A new synthesis strategy is presented that can fully automate the path from a circuit topology and performance specifications to a sized variation tolerant circuit schematic This strategy relies on asymptotic waveform evaluation to predict circuit performance and simulated annealing to solve a novel non linear infinite programming optimization formulation of the circuit synthesis problem via a sequence of smaller optimization problems Practical Synthesis of High Performance Analog Circuits will be of interest to analog circuit designers CAD EDA industry professionals academics and students **University of Colorado Catalogue** University of Colorado,1929 Bulletin University of Colorado Boulder,1928 *Electric Circuit Problems* Frank Atkinson Benson,1967 *Numerical Methods for Nonlinear Engineering Models* John R. Hauser,2009-03-24 There are many books on the use of numerical methods for solving engineering problems and for modeling of engineering artifacts In addition there are many styles of such presentations ranging from books with a major emphasis on theory to books with an emphasis on applications The purpose of this book is hopefully to present a somewhat different approach to the use of numerical methods for engineering applications Engineering models are in general nonlinear models where the response of some appropriate engineering variable depends in a nonlinear manner on the plication of some independent parameter It is certainly true that for many types of engineering models it is sufficient to approximate the real physical world by some linear model However when engineering environments are pushed to treme conditions nonlinear effects are always encountered It is also such treme conditions that are of major importance in determining the reliability or failure limits of engineering systems Hence it is essential than engineers have a toolbox of modeling techniques that can be used to model nonlinear engineering systems Such a set of basic numerical methods is the topic of this book For each subject area treated nonlinear models are incorporated into the discussion from the very beginning and linear models are simply treated as special cases of more general nonlinear models This is a basic and fundamental difference in this book from most books on numerical methods *Proceedings of the Twenty-Third Annual Conference of the Cognitive Science Society* Johanna D. Moore,Keith Stenning,2001 Vol includes all papers and posters presented at 2001 Cog Sci Mtg summaries of symposia invited addresses Deals w issues of repres model g cog processes Appeals to scholars in subdisciplines that comprise Cog Sci Psych Computr Sci Neuro Lin *Catalogue Number* University

of Colorado,1930     A Top-down Design Solution for Improved Testability in High Performance Circuits and Systems  
 Huoy-Yu Liou,1995     **New Technical Books** ,1926     Electronic Circuits David Paul Casasent,1973     **Electrical World**  
 ,1928     **Fundamentals of Circuits, Electronics, and Signal Analysis** Kendall Ling-chiao Su,1978     Evolvable  
Systems: From Biology to Hardware Gregory S. Hornby,Lukas Sekanina,Pauline C. Haddow,2008-09-28 This book constitutes  
 the refereed proceedings of the 8th International Conference on Evolvable Systems ICES 2008 held in Prague Czech  
 Republic in September 2008 The 28 revised full papers and 14 revised poster papers presented were carefully reviewed and  
 selected from 52 submissions The papers are organized in topical sections on evolution of analog circuits evolution of digital  
 circuits hardware software codesign and platforms for adaptive systems evolutionary robotics development real world  
 applications evolutionary networking evolvable artificial neural networks and transistor level circuit evolution

**Fundamental Principles of Electric and Magnetic Circuits** Fred Alan Fish,1928     **Special Report** Great Britain.  
 Radio Research Board,1929     **Free Night School of Engineering** Cooper Union for the Advancement of Science and Art.  
 School of Engineering,1928     *The Analysis and Design of Linear Circuits* Roland E. Thomas,Albert J. Rosa,Gregory J.  
 Toussaint,2020-07-15 While most texts focus on how and why electric circuits work *The Analysis and Design of Linear*  
*Circuits* taps into engineering students desire to explore create and put their learning into practice Students from across  
 disciplines will gain a practical in depth understanding of the fundamental principles underlying so much of modern everyday  
 technology Early focus on the analysis design and evaluation of electric circuits promotes the development of design intuition  
 by allowing students to test their designs in the context of real world constraints and practical situations This updated Ninth  
 Edition features an emphasis on the use of computer software including Excel MATLAB and Multisim building a real world  
 problem solving style that reflects that of practicing engineers Software skills are integrated with examples and exercises  
 throughout the text and coverage of circuit design and evaluation frequency response mutual inductance ac power circuits  
 and other central topics has been revised for clarity and ease of understanding With an overarching goal of instilling smart  
 judgement surrounding design problems and innovative solutions this unique text provides inspiration and motivation  
 alongside an essential knowledge base     **On Growth, Form and Computers** Sanjeev Kumar,Peter J. Bentley,2003-10-03  
 Conceived for both computer scientists and biologists alike this collection of 22 essays highlights the important new role that  
 computers play in developmental biology research Essays show how through computer modeling researchers gain further  
 insight into developmental processes Featured essays also cover their use in designing computer algorithms to tackle  
 computer science problems in areas like neural network design robot control evolvable hardware and more Peter Bentley  
 noted for his prolific research on evolutionary computation and Sanjeev Kumar head up a respected team to guide readers  
 through these very complex and fascinating disciplines Covers both developmental biology and computational development  
 the only book of its kind Provides introductory material and more detailed information on BOTH disciplines Includes

contributions from Richard Dawkins Lewis Wolpert Ian Stewart and many other experts

Embark on a transformative journey with is captivating work, **Complex Circuit Problems And Solutions** . This enlightening ebook, available for download in a convenient PDF format , invites you to explore a world of boundless knowledge. Unleash your intellectual curiosity and discover the power of words as you dive into this riveting creation. Download now and elevate your reading experience to new heights .

<https://py.bijouxmedusa.com/files/detail/Documents/fundamentals%20of%20english%20grammar%202nd%20edition.pdf>

## **Table of Contents Complex Circuit Problems And Solutions**

1. Understanding the eBook Complex Circuit Problems And Solutions
  - The Rise of Digital Reading Complex Circuit Problems And Solutions
  - Advantages of eBooks Over Traditional Books
2. Identifying Complex Circuit Problems And Solutions
  - Exploring Different Genres
  - Considering Fiction vs. Non-Fiction
  - Determining Your Reading Goals
3. Choosing the Right eBook Platform
  - Popular eBook Platforms
  - Features to Look for in an Complex Circuit Problems And Solutions
  - User-Friendly Interface
4. Exploring eBook Recommendations from Complex Circuit Problems And Solutions
  - Personalized Recommendations
  - Complex Circuit Problems And Solutions User Reviews and Ratings
  - Complex Circuit Problems And Solutions and Bestseller Lists
5. Accessing Complex Circuit Problems And Solutions Free and Paid eBooks
  - Complex Circuit Problems And Solutions Public Domain eBooks
  - Complex Circuit Problems And Solutions eBook Subscription Services
  - Complex Circuit Problems And Solutions Budget-Friendly Options

6. Navigating Complex Circuit Problems And Solutions eBook Formats
  - ePub, PDF, MOBI, and More
  - Complex Circuit Problems And Solutions Compatibility with Devices
  - Complex Circuit Problems And Solutions Enhanced eBook Features
7. Enhancing Your Reading Experience
  - Adjustable Fonts and Text Sizes of Complex Circuit Problems And Solutions
  - Highlighting and Note-Taking Complex Circuit Problems And Solutions
  - Interactive Elements Complex Circuit Problems And Solutions
8. Staying Engaged with Complex Circuit Problems And Solutions
  - Joining Online Reading Communities
  - Participating in Virtual Book Clubs
  - Following Authors and Publishers Complex Circuit Problems And Solutions
9. Balancing eBooks and Physical Books Complex Circuit Problems And Solutions
  - Benefits of a Digital Library
  - Creating a Diverse Reading Collection Complex Circuit Problems And Solutions
10. Overcoming Reading Challenges
  - Dealing with Digital Eye Strain
  - Minimizing Distractions
  - Managing Screen Time
11. Cultivating a Reading Routine Complex Circuit Problems And Solutions
  - Setting Reading Goals Complex Circuit Problems And Solutions
  - Carving Out Dedicated Reading Time
12. Sourcing Reliable Information of Complex Circuit Problems And Solutions
  - Fact-Checking eBook Content of Complex Circuit Problems And Solutions
  - Distinguishing Credible Sources
13. Promoting Lifelong Learning
  - Utilizing eBooks for Skill Development
  - Exploring Educational eBooks
14. Embracing eBook Trends
  - Integration of Multimedia Elements

- Interactive and Gamified eBooks

### **Complex Circuit Problems And Solutions Introduction**

Free PDF Books and Manuals for Download: Unlocking Knowledge at Your Fingertips In today's fast-paced digital age, obtaining valuable knowledge has become easier than ever. Thanks to the internet, a vast array of books and manuals are now available for free download in PDF format. Whether you are a student, professional, or simply an avid reader, this treasure trove of downloadable resources offers a wealth of information, conveniently accessible anytime, anywhere. The advent of online libraries and platforms dedicated to sharing knowledge has revolutionized the way we consume information. No longer confined to physical libraries or bookstores, readers can now access an extensive collection of digital books and manuals with just a few clicks. These resources, available in PDF, Microsoft Word, and PowerPoint formats, cater to a wide range of interests, including literature, technology, science, history, and much more. One notable platform where you can explore and download free Complex Circuit Problems And Solutions PDF books and manuals is the internet's largest free library. Hosted online, this catalog compiles a vast assortment of documents, making it a veritable goldmine of knowledge. With its easy-to-use website interface and customizable PDF generator, this platform offers a user-friendly experience, allowing individuals to effortlessly navigate and access the information they seek. The availability of free PDF books and manuals on this platform demonstrates its commitment to democratizing education and empowering individuals with the tools needed to succeed in their chosen fields. It allows anyone, regardless of their background or financial limitations, to expand their horizons and gain insights from experts in various disciplines. One of the most significant advantages of downloading PDF books and manuals lies in their portability. Unlike physical copies, digital books can be stored and carried on a single device, such as a tablet or smartphone, saving valuable space and weight. This convenience makes it possible for readers to have their entire library at their fingertips, whether they are commuting, traveling, or simply enjoying a lazy afternoon at home. Additionally, digital files are easily searchable, enabling readers to locate specific information within seconds. With a few keystrokes, users can search for keywords, topics, or phrases, making research and finding relevant information a breeze. This efficiency saves time and effort, streamlining the learning process and allowing individuals to focus on extracting the information they need. Furthermore, the availability of free PDF books and manuals fosters a culture of continuous learning. By removing financial barriers, more people can access educational resources and pursue lifelong learning, contributing to personal growth and professional development. This democratization of knowledge promotes intellectual curiosity and empowers individuals to become lifelong learners, promoting progress and innovation in various fields. It is worth noting that while accessing free Complex Circuit Problems And Solutions PDF books and manuals is convenient and cost-effective, it is vital to respect copyright laws and intellectual property rights. Platforms offering free

downloads often operate within legal boundaries, ensuring that the materials they provide are either in the public domain or authorized for distribution. By adhering to copyright laws, users can enjoy the benefits of free access to knowledge while supporting the authors and publishers who make these resources available. In conclusion, the availability of Complex Circuit Problems And Solutions free PDF books and manuals for download has revolutionized the way we access and consume knowledge. With just a few clicks, individuals can explore a vast collection of resources across different disciplines, all free of charge. This accessibility empowers individuals to become lifelong learners, contributing to personal growth, professional development, and the advancement of society as a whole. So why not unlock a world of knowledge today? Start exploring the vast sea of free PDF books and manuals waiting to be discovered right at your fingertips.

### **FAQs About Complex Circuit Problems And Solutions Books**

How do I know which eBook platform is the best for me? Finding the best eBook platform depends on your reading preferences and device compatibility. Research different platforms, read user reviews, and explore their features before making a choice. Are free eBooks of good quality? Yes, many reputable platforms offer high-quality free eBooks, including classics and public domain works. However, make sure to verify the source to ensure the eBook credibility. Can I read eBooks without an eReader? Absolutely! Most eBook platforms offer webbased readers or mobile apps that allow you to read eBooks on your computer, tablet, or smartphone. How do I avoid digital eye strain while reading eBooks? To prevent digital eye strain, take regular breaks, adjust the font size and background color, and ensure proper lighting while reading eBooks. What the advantage of interactive eBooks? Interactive eBooks incorporate multimedia elements, quizzes, and activities, enhancing the reader engagement and providing a more immersive learning experience. Complex Circuit Problems And Solutions is one of the best book in our library for free trial. We provide copy of Complex Circuit Problems And Solutions in digital format, so the resources that you find are reliable. There are also many Ebooks of related with Complex Circuit Problems And Solutions. Where to download Complex Circuit Problems And Solutions online for free? Are you looking for Complex Circuit Problems And Solutions PDF? This is definitely going to save you time and cash in something you should think about. If you trying to find then search around for online. Without a doubt there are numerous these available and many of them have the freedom. However without doubt you receive whatever you purchase. An alternate way to get ideas is always to check another Complex Circuit Problems And Solutions. This method for see exactly what may be included and adopt these ideas to your book. This site will almost certainly help you save time and effort, money and stress. If you are looking for free books then you really should consider finding to assist you try this. Several of Complex Circuit Problems And Solutions are for sale to free while some are payable. If you arent sure if the books you would like to download works with for

usage along with your computer, it is possible to download free trials. The free guides make it easy for someone to free access online library for download books to your device. You can get free download on free trial for lots of books categories. Our library is the biggest of these that have literally hundreds of thousands of different products categories represented. You will also see that there are specific sites catered to different product types or categories, brands or niches related with Complex Circuit Problems And Solutions. So depending on what exactly you are searching, you will be able to choose e books to suit your own need. Need to access completely for Campbell Biology Seventh Edition book? Access Ebook without any digging. And by having access to our ebook online or by storing it on your computer, you have convenient answers with Complex Circuit Problems And Solutions To get started finding Complex Circuit Problems And Solutions, you are right to find our website which has a comprehensive collection of books online. Our library is the biggest of these that have literally hundreds of thousands of different products represented. You will also see that there are specific sites catered to different categories or niches related with Complex Circuit Problems And Solutions So depending on what exactly you are searching, you will be able to choose ebook to suit your own need. Thank you for reading Complex Circuit Problems And Solutions. Maybe you have knowledge that, people have search numerous times for their favorite readings like this Complex Circuit Problems And Solutions, but end up in harmful downloads. Rather than reading a good book with a cup of coffee in the afternoon, instead they juggled with some harmful bugs inside their laptop. Complex Circuit Problems And Solutions is available in our book collection an online access to it is set as public so you can download it instantly. Our digital library spans in multiple locations, allowing you to get the most less latency time to download any of our books like this one. Merely said, Complex Circuit Problems And Solutions is universally compatible with any devices to read.

### **Find Complex Circuit Problems And Solutions :**

**fundamentals of english grammar 2nd edition**

*operations management 5th edition*

[vw derby repair manual engine](#)

[founders work stories startups early](#)

**freezer floor heaving and solution gccaonline**

[fundamentos de administracion financiera scott besley 14 edicion descargar](#)

**fundamentals of heat mass transfer 6th edition solutions**

[download modern european history book](#)

**fundamentals of electric circuits solution manual third edition**

~~fres general surgery the road to success pdf download~~

[\*galaxie chromatography data system manual\*](#)

[\*gandhi in political theory truth law and experiment\*](#)

[\*fundamentals of clinical supervision 5th edition merrill counseling hardcover\*](#)

[\*fundamentals of multimedia\*](#)

[\*fronius transtig 1600 42 0410 0494\*](#)

### **Complex Circuit Problems And Solutions :**

**algorithmique et programmation en java cultura** - Jan 06 2023

web afin de vous aider à mettre en pratique et à développer votre maîtrise de l algorithmique et de java des exercices sont proposés avec leurs corrections en pseudo code ainsi que

[algorithmique et programmation en java 5e a c d c pdf](#) - Jun 30 2022

web 4 algorithmique et programmation en java 5e a c d c 2020 06 03 conditions 1ère ssi terminale sti2d 6 algorithmie theorie l instruction cas de darija

[\*bienvenue algorithmie en java codingame\*](#) - Dec 05 2022

web oct 10 2023 algorithmique et programmation en java 5e a c d c a practical guide to sysml sanford friedenthal 2009 08 25 a practical guide to sysml the systems

**algorithmique et programmation mymaxicours** - Jun 11 2023

web aug 16 2018 l auteur propose une introduction à l algorithmique ainsi qu à la programmation impérative procédurale et orientée objet il met l accent sur les notions

[les bases algorithmique et programmation java cours gratuit](#) - Aug 01 2022

web la connaissance de l algorithmique et de la programmation est l une des bases du métier et

[\*algorithmique et programmation en java 5e édition\*](#) - Aug 13 2023

web les algorithmes sont traduits en langage de programmation de manière à ce qu ils soient exécutables ou réalisables par un ordinateur programmation un programme désigne

**algorithmique et programmation en java librairie eyrolles** - May 30 2022

web algorithmique et programmation en java 5e a c d c programmation et algorithmique inria programmation orientée objet java exercices 4

**algorithmique et programmation en java dunod** - Oct 15 2023

web aug 16 2018 il met l accent sur les notions de validité et de fiabilité en s appuyant sur des notations formelles tous les algorithmes et les structures de données sont traduits et

**algorithmique et programmation en java 5e a c d c** - Apr 28 2022

web algorithmique et programmation en java 5e a c d c semiotics of poetry michael riffaterre 1980 01 01 solving pdes in python hans petter langtangen 2017 03 21 this

*algorithmique et programmation en java 5e a c d c pkf* - Nov 23 2021

*algorithmique des bases à la programmation orientée objet en* - Nov 04 2022

web right here we have countless books algorithmique et programmation en java 5e a c d c and collections to check out we additionally have enough money variant types and

pdf algorithmique et programmation en java 5e a c d c - Feb 07 2023

web algorithmie en java avant de commencer ce playground vous devez déjà connaitre des bases de programmation en java a chaque exercice sont associés des explications

**algorithmique et programmation en java 5e a c d c 2023** - Jan 26 2022

web algorithmique et programmation en java 5e a c d c algorithmique et programmation en java 5e a c d c 2 downloaded from donate pfi org on 2021 05 14

algorithmique et programmation en java 5e a c d c - Mar 28 2022

web algorithmique et programmation en java 5e a c d c algorithmique et programmation orientee objet algorithmique et programmation en java

**algorithmique et programmation en java 5e a c d c pkf** - Dec 25 2021

algorithmique et programmation en java 5e a c d c book - Feb 24 2022

web line this online statement algorithmique et programmation en java 5e a c d c can be one of the options to accompany you afterward having further time it will not waste your

algorithmique et programmation en java 5e éd format pdf - Mar 08 2023

web algorithmique et programmation en java cours et exercices corrigés 5e édition par vincent granet aux éditions dunod cet ouvrage s adresse principalement aux étudiants

*algorithmique et programmation en java 5e éd google books* - Sep 14 2023

web algorithmique et programmation en java cou s et exe cices cor igés 4e édition download free pdf view pdf introduction à l algorithmique cours et exercices

**algorithmique et programmation en java 5e éd fnac** - Apr 09 2023

web c d c is additionally useful you have remained in right site to begin getting this info acquire the algorithmique et

programmation en java 5e a c d c associate that we come up

[algorithmique et programmation en java 5e a c d c 2023](#) - Oct 03 2022

web les bases algorithmique et programmation participez au vote aller au téléchargement objectif général maîtriser l algorithmique et les structures

[algorithmique et programmation en java 5e éd cours et](#) - May 10 2023

web aug 16 2018 l auteur propose une introduction à l algorithmique ainsi qu à la programmation impérative procédurale et orientée objet il met l accent sur les notions

[algorithmique et programmation en java 5e a c d c pdf](#) - Sep 02 2022

web algorithmique algorithmique et programmation en java 5e éd java coding interview algorithmique et programmation en java 5e a c d c downloaded from

**pdf algorithmique et programmation en java academia edu** - Jul 12 2023

web algorithmique et programmation en java granet vincent java coffret de 2 livres algorithmique et algorithmique et programmation en java cours et

**thermal design of tube and shell heat exchanger and ijert** - Oct 09 2022

feb 1 2021 htri software is used to verify analytical thermal design it gives close results as that of obtain from thermal design the comparision between calculated values and software obtained values concludes the varification of the parameters the proven theoretical methods are in good agreement with the software results

[shell and tube heat exchanger design using htri software](#) - May 04 2022

shell and tube heat exchanger design using htri software uploaded by ghifari syhd a comparison study of heat exchanger design using two methods of approach of manual calculations and using htri software copyright all rights reserved available formats download as pdf txt or read online from scribd flag for inappropriate content download now

**design of a heat exchanger using htri world wide simulation** - Mar 02 2022

design of a heat exchanger using htri world wide simulation htri gives various designs with different shell id with optimum baffle spacing for given tube length and tube passes htri gives shell id in standard inch format it has to be fine tuned to the nearest round number that is

[training htri](#) - Jan 12 2023

htri offers several different approaches to training you can attend htri hosted events online or in person we can provide training onsite at your facility or online for your entire team we even have free hour long webinars for htri members

**pragyan 2019 heat exchanger design using htri** - Feb 01 2022

mr vivekanandan mahendran expertises in the area of design automation cfd fea piping stress analysis pressure vessel design

and heat exchanger thermal design he currently works as ceo in trycae industrial engineering pvt ltd is a principle consultant at htri he is a certified solid works professional a certified solid works

*pdf heat exchanger design researchgate* - Sep 20 2023

dec 20 2017 this paper establish a simulation program about the spiral condenser based on theoretical behavior of thermal parameters used r134a as refrigerant analysis the influence of heat transfer area on

[htri youtube](#) - Nov 10 2022

htri is the global leader in process heat transfer technology and heat exchanger design software we conduct innovative research develop software and provide services to meet your

**heat exchanger design using htri pdf pdf scribd** - Jul 06 2022

equipment process design 1 now run and the dp in hot shell side becomes 1 62 bar and overdesign factor becomes 22 2 now increase the shell id and overdesign factor becomes 35 and dp reduces to 0 89 bar 3 now increase baffle spacing to 250 mm and run it again dp reduces to 0 215 and overdesign

**optimization of air cooled heat exchanger design using htri** - Apr 03 2022

for heat exchanger design is htri in software we have option of rating design simulation 5 in commercial software design user defined values of independent design parameters fixed parameters process specification and user updated values of independent design parameter sent to design routine from that it is sent to trial solution

**design manual htri** - Aug 19 2023

the design manual is the comprehensive reference for htri s thermal design recommendations for all types of heat exchangers it summarizes calculation methods in htri software provides design recommendations and offers practical design tips topics covered include basic methods for single phase pressure drop and heat transfer condensation

**make better heat exchanger design decisions with exchanger htri** - Jul 18 2023

exchanger optimizer helps engineers solve different types of design problems enabling specification of more accurate design details exchanger optimizer 3 0 features more robust analysis of complicated geometries for example fixed tubesheet heat exchangers are often designed with expansion joints to handle the differential thermal growth

*getting started building your first case in xphe webinar htri net* - Sep 08 2022

join this xphe webinar on january 24 2024 for an overview of the program s user interface and basic functionality then demonstrates the specification of an exchanger design in xphe using the information in an api 662 spec sheet join this session for a step by step specification of a new xphe case including process conditions physical properties and unit geometry

**pdf design validation of shell and tube heat exchanger by htri** - May 16 2023

jan 1 2012 in design calculation htri software is used to verify manually calculated results in this paper attempt is made to

overcome some major theoretical assumptions and serve practical approach as

**optimization of air cooled heat exchanger design using htri** - Aug 07 2022

optimization of air cooled heat exchanger design using htri research and scientific innovation society rsis international in this paper an optimization process is carried out by varying tube pitch transverse pitch number of tube rows and air velocity using heat transfer research incorporation htri software

**tag heat exchanger design htri** - Apr 15 2023

aug 17 2022 fixed tubesheet heat exchangers are often designed with expansion joints to handle the differential thermal growth between the tubes and the shell learn how to use exchanger optimizer 6 1 8 to specify operating metal temperatures and evaluate the cost impact of adding a flanged and flued or bellows expansion joint modify designs read more

*software htri* - Feb 13 2023

xchanger suite is software for the rating simulation and or design of a wide variety of heat transfer equipment including shell and tube and non tubular exchangers air coolers and economizers and fired heaters xchanger suite modules include x fh ultra

**mech 03 design of shell tube heat exchanger using htri** - Jun 05 2022

shell and tube heat exchanger is a class of heat exchanger designs it is the most common type of heat exchanger in oil refineries and other large chemical processes and it is suite for high pressure applications as its name implies this type of heat exchanger consists of a shell a large pressure vessel with a bundle of tubes inside the shell

**overview of xchanger suite htri** - Dec 11 2022

what is xchanger suite xchanger suite considered to be the most advanced thermal process design and simulation software rates simulates and or designs a variety of heat transfer equipment htri s calculation methods are backed by over half a century of applied research and data collected on industrially relevant heat transfer equipment

**htri htri** - Jun 17 2023

htri conducts onsite and regional training around the globe to enable members to fully utilize our powerful heat exchanger design and simulation software and expand their industry knowledge learn more

**thermal design of shell and tube heat exchanger** - Mar 14 2023

jan 1 2017 the objective of the present work is to perform thermal design of a shell and tube heat exchanger that using htri software to makes the process energy efficient

**auditing systems study aids gleim exam prep** - Aug 14 2023

web aug 24 2017 the book test prep set auditing systems is essential for learning

*help center gleim exam prep* - Feb 25 2022

web gleim cia part 1 2 and 3 2020 books with mcqs internal audit career tips 2020 gleim

[gleim cia part 2 internal audit practice railnz pdf](#) - Jan 27 2022

web jan 1 2005 the gleim auditing systems eqe book test prep is an integral

**auditing and systems exam questions explanations** - May 31 2022

web if you unsuccessfully attempt to log in three times you will also be presented with an

**auditing and systems exam questions and explanations irvin** - Feb 08 2023

web jan 1 2003 auditing and systems exam questions and explanations irvin n gleim

**auditing systems exam questions and explanations with** - Mar 09 2023

web jan 1 2017 the gleim auditing systems eqe book test prep is an integral

*gleim products auditing systems exam questions and* - Jun 12 2023

web nov 16 2018 this product has no detailed information associated with it accounting

**gleim exam prep linkedin** - Oct 04 2022

web may 22 2021 auditing systems exam questions and explanations gleim irvin n

[auditing systems exam questions explanations](#) - Nov 05 2022

web we help you attain higher levels of knowledge analysis synthesis and evaluation while

[auditing systems exam questions and explanations irvin n](#) - Oct 24 2021

[auditing systems exam questions and explanations gleim](#) - Jul 01 2022

web internationally consistent information that is required by internal audit professionals

**gleim cia part i 17 edition download only ams istanbul edu** - Nov 24 2021

**aud cpa exam all about the audit section gleim** - Jan 07 2023

web the auditing and attestation aud cpa exam section tests on the entire audit process

[about gleim gleim exam prep](#) - Aug 02 2022

web gleim support updates cia review part 1 internal audit cia part 2 internal audit

[auditing systems exam questions and](#) - Dec 06 2022

web the gleim auditing systems eqe book test prep is an integral component of the

[auditing systems exam questions and explanations with](#) - Sep 03 2022

web summary the gleim auditing systems eqe book test prep 21st edition is an

**exam questions explanations gleim exam prep** - Apr 10 2023

web jul 18 2017 the gleim exam questions and explanations eqe books and test prep

[gleim cia 17th edition internal audit basics pdf](#) - Apr 29 2022

web part 3 business knowledge for internal auditing 1 year access how to pass the cpa

[gleim exam prep](#) [gleim exam prep](#) - Jul 13 2023

web gleim has been 1 in accounting exam prep for over 45 years if your studying for cpa

**gleim cia 17th edition internal audit basics ams istanbul edu** - Mar 29 2022

web meet the team the customer service team at gleim is the face that we most often

**amazon com auditing systems exam questions** - May 11 2023

web jan 1 2018 the gleim auditing systems eqe book test prep 21st edition is an

[gleim team](#) [gleim exam prep](#) - Dec 26 2021