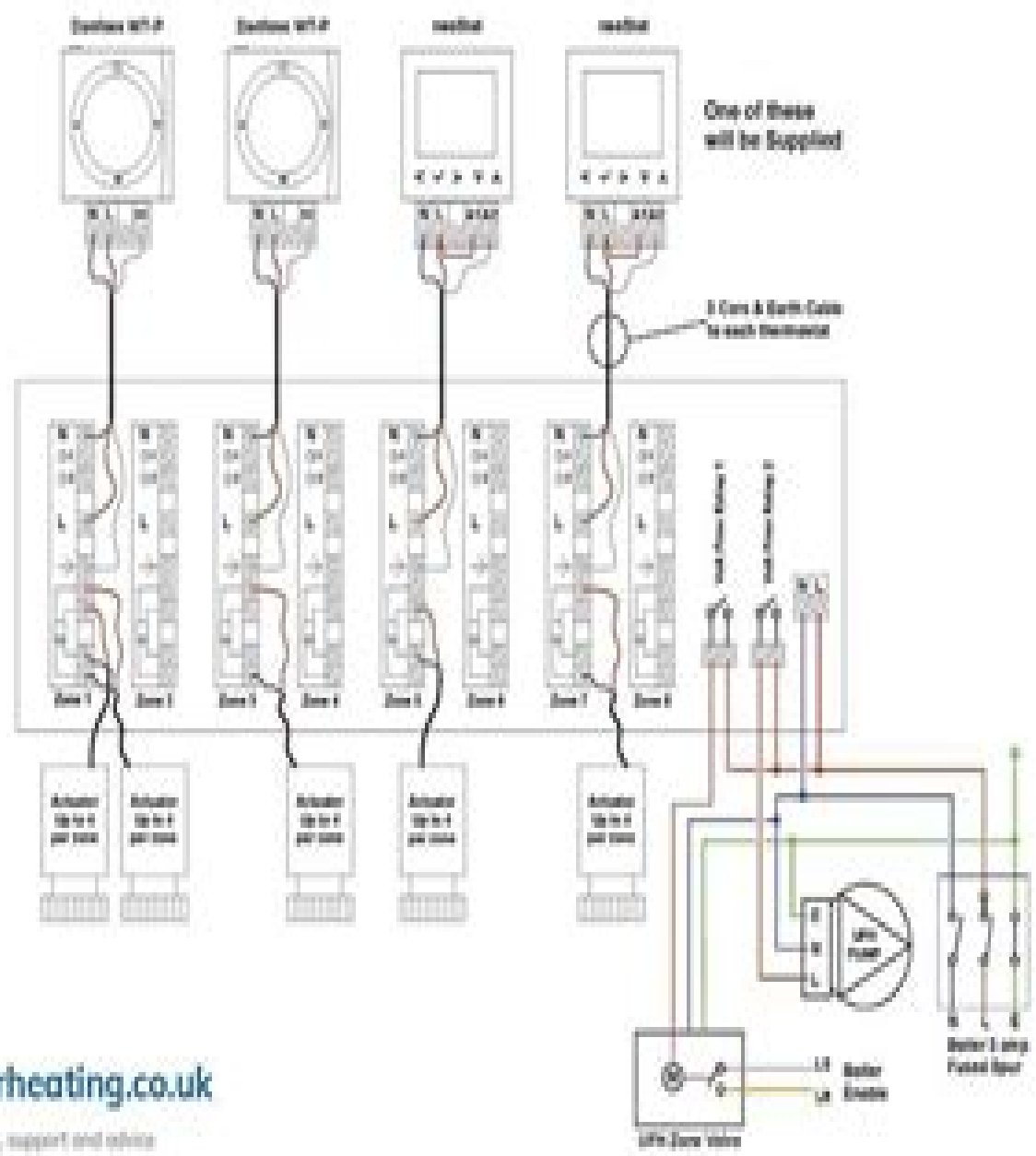


Wiring using a Wiring Centre (Multi Zone)



Connection Example Danfoss

Thomas Griffiths



Connection Example Danfoss:

Entrepreneurship in Theory and Practice Suna Løwe Nielsen, Kim Klyver, Majbritt Rostgaard Ewald, Torben Bager, 2021-03-26 The third edition of this creative and successful textbook provides a broad overview of entrepreneurship from a theoretical and practical perspective Engaging for undergraduates it embeds theories of entrepreneurship with tensions and dilemmas presented as paradoxes for each chapter It offers insights into the entrepreneurial process and challenges readers to assess the paradoxes and pitfalls encountered on an entrepreneurial journey

Mass Customisation and Personalisation in Architecture and Construction Poorang Piroozfar, Frank Piller, 2013-06-19 Challenged by the recent economic crisis the building and construction industry is currently seeking new orientation and strategies Here mass customisation is uncovered as a key strategy in helping to meet this challenge The term mass customisation denotes an offering that meets the demands of each individual customer whilst still being produced with mass production efficiency Today mass customisation is emerging from a pilot stage into a scalable and sustainable strategy The first dedicated publication of its kind this book provides a forum for the concept within an applied and highly innovative context The book includes contributions from some of the most prominent thinkers and practitioners in the field from across the world including Kasper S Vibaek Steve Kendall Martin Bechthold Mitchell M Tseng and Masa Noguchi Bringing together this panel of experts who have carried out research both in academia and practice this book provides an overview of state of the art practice related to the concept of customisation and personalisation within the built environment

From Ideas to Action Jan-Olaf Willums, Ulrich Golüke, 1992 The earth our asset Business sustainable development and environmental assets The air around us The water we need The vanishing forests The richness of nature biodiversity The lost resource waste Hopes and promises population poverty and health The business response to sustainable development The greening of enterprise industry s score Fueling economic development the double edge of energy Bridging the gap industry s role in technology cooperation The road ahead The ICC business charter for sustainable development The history of the business charter Further reference material on cases Corporate environmental profiles The Rio declaration and ICC business charter on environment and development Reference documents

The Journal of Refrigeration ,1968 Water 21 ,1999 Modern Refrigeration ... ,1974

Market Oriented Product Innovation Knut Holt, 2013-03-14 Market Oriented Product Innovation differs from most other titles written either from a marketing or technical perspective by giving a holistic view of the product innovation process It has a product perspective written from a managerial point of view recognizing that product innovation or new product development is a discipline of its own It is concerned with managing the products goods and services through their life cycle integrating marketing knowledge and technological expertise with the aim of getting satisfied customers The book also gives a thorough treatment of the human and cultural aspects of product innovation by focusing on the change processes needed for the development of a market oriented culture

The Journal of the Institution

of Heating and Ventilating Engineers Institution of Heating and Ventilating Engineers (Great Britain),1960 *The Engineering and Boiler House Review* ,1962 *Shipbuilding & Marine Engineering International* ,1972 **Engineering Materials and Design** ,1990 *Processing* ,1993 **Business Review Weekly** ,2004 **Heating & Air Treatment Engineer** ,1961 Embedded Software ,2005 Desalination Jane Kucera,2019-04-11 This all new revised edition of a modern classic is the most comprehensive and up to date coverage of the green process of desalination in industrial and municipal applications covering all of the processes and equipment necessary to design operate and troubleshoot desalination systems This is becoming increasingly more important for not only our world s industries but our world s populations as pure water becomes more and more scarce Blue is the new green This is an all new revised edition of a modern classic on one of the most important subjects in engineering Water Featuring a total revision of the initial volume this is the most comprehensive and up to date coverage of the process of desalination in industrial and municipal applications a technology that is becoming increasingly more important as more and more companies choose to go green This book covers all of the processes and equipment necessary to design operate and troubleshoot desalination systems from the fundamental principles of desalination technology and membranes to the much more advanced engineering principles necessary for designing a desalination system Earlier chapters cover the basic principles the economics of desalination basic terms and definitions and essential equipment The book then goes into the thermal processes involved in desalination such as various methods of evaporation distillation recompression and multistage flash Following that is an exhaustive discussion of the membrane processes involved in desalination such as reverse osmosis forward osmosis and electrodialysis Finally the book concludes with a chapter on the future of these technologies and their place in industry and how they can be of use to society This book is a must have for anyone working in water for engineers technicians scientists working in research and development and operators It is also useful as a textbook for graduate classes studying industrial water applications

Interactions ,1997 A magazine for designers of interactive products **Official Journal of the European Communities** ,1988 Official Reference Book and Buyers' Guide ,1986 La vita tra cose e natura Electa,1992

Ignite the flame of optimism with Crafted by is motivational masterpiece, Fuel Your Spirit with **Connection Example Danfoss** . In a downloadable PDF format (PDF Size: *), this ebook is a beacon of encouragement. Download now and let the words propel you towards a brighter, more motivated tomorrow.

https://py.bijouxmedusa.com/public/virtual-library/Download_PDFS/solid_mensuration_problems_with_solutions_nstoreore.pdf

Table of Contents Connection Example Danfoss

1. Understanding the eBook Connection Example Danfoss
 - The Rise of Digital Reading Connection Example Danfoss
 - Advantages of eBooks Over Traditional Books
2. Identifying Connection Example Danfoss
 - Exploring Different Genres
 - Considering Fiction vs. Non-Fiction
 - Determining Your Reading Goals
3. Choosing the Right eBook Platform
 - Popular eBook Platforms
 - Features to Look for in an Connection Example Danfoss
 - User-Friendly Interface
4. Exploring eBook Recommendations from Connection Example Danfoss
 - Personalized Recommendations
 - Connection Example Danfoss User Reviews and Ratings
 - Connection Example Danfoss and Bestseller Lists
5. Accessing Connection Example Danfoss Free and Paid eBooks
 - Connection Example Danfoss Public Domain eBooks
 - Connection Example Danfoss eBook Subscription Services
 - Connection Example Danfoss Budget-Friendly Options

6. Navigating Connection Example Danfoss eBook Formats
 - ePub, PDF, MOBI, and More
 - Connection Example Danfoss Compatibility with Devices
 - Connection Example Danfoss Enhanced eBook Features
7. Enhancing Your Reading Experience
 - Adjustable Fonts and Text Sizes of Connection Example Danfoss
 - Highlighting and Note-Taking Connection Example Danfoss
 - Interactive Elements Connection Example Danfoss
8. Staying Engaged with Connection Example Danfoss
 - Joining Online Reading Communities
 - Participating in Virtual Book Clubs
 - Following Authors and Publishers Connection Example Danfoss
9. Balancing eBooks and Physical Books Connection Example Danfoss
 - Benefits of a Digital Library
 - Creating a Diverse Reading Collection Connection Example Danfoss
10. Overcoming Reading Challenges
 - Dealing with Digital Eye Strain
 - Minimizing Distractions
 - Managing Screen Time
11. Cultivating a Reading Routine Connection Example Danfoss
 - Setting Reading Goals Connection Example Danfoss
 - Carving Out Dedicated Reading Time
12. Sourcing Reliable Information of Connection Example Danfoss
 - Fact-Checking eBook Content of Connection Example Danfoss
 - Distinguishing Credible Sources
13. Promoting Lifelong Learning
 - Utilizing eBooks for Skill Development
 - Exploring Educational eBooks
14. Embracing eBook Trends
 - Integration of Multimedia Elements

- Interactive and Gamified eBooks

Connection Example Danfoss Introduction

In today's digital age, the availability of Connection Example Danfoss books and manuals for download has revolutionized the way we access information. Gone are the days of physically flipping through pages and carrying heavy textbooks or manuals. With just a few clicks, we can now access a wealth of knowledge from the comfort of our own homes or on the go. This article will explore the advantages of Connection Example Danfoss books and manuals for download, along with some popular platforms that offer these resources. One of the significant advantages of Connection Example Danfoss books and manuals for download is the cost-saving aspect. Traditional books and manuals can be costly, especially if you need to purchase several of them for educational or professional purposes. By accessing Connection Example Danfoss versions, you eliminate the need to spend money on physical copies. This not only saves you money but also reduces the environmental impact associated with book production and transportation. Furthermore, Connection Example Danfoss books and manuals for download are incredibly convenient. With just a computer or smartphone and an internet connection, you can access a vast library of resources on any subject imaginable. Whether you're a student looking for textbooks, a professional seeking industry-specific manuals, or someone interested in self-improvement, these digital resources provide an efficient and accessible means of acquiring knowledge. Moreover, PDF books and manuals offer a range of benefits compared to other digital formats. PDF files are designed to retain their formatting regardless of the device used to open them. This ensures that the content appears exactly as intended by the author, with no loss of formatting or missing graphics. Additionally, PDF files can be easily annotated, bookmarked, and searched for specific terms, making them highly practical for studying or referencing. When it comes to accessing Connection Example Danfoss books and manuals, several platforms offer an extensive collection of resources. One such platform is Project Gutenberg, a nonprofit organization that provides over 60,000 free eBooks. These books are primarily in the public domain, meaning they can be freely distributed and downloaded. Project Gutenberg offers a wide range of classic literature, making it an excellent resource for literature enthusiasts. Another popular platform for Connection Example Danfoss books and manuals is Open Library. Open Library is an initiative of the Internet Archive, a non-profit organization dedicated to digitizing cultural artifacts and making them accessible to the public. Open Library hosts millions of books, including both public domain works and contemporary titles. It also allows users to borrow digital copies of certain books for a limited period, similar to a library lending system. Additionally, many universities and educational institutions have their own digital libraries that provide free access to PDF books and manuals. These libraries often offer academic texts, research papers, and technical manuals, making them invaluable resources for students and researchers. Some notable examples include MIT OpenCourseWare, which offers free access to course materials from

the Massachusetts Institute of Technology, and the Digital Public Library of America, which provides a vast collection of digitized books and historical documents. In conclusion, Connection Example Danfoss books and manuals for download have transformed the way we access information. They provide a cost-effective and convenient means of acquiring knowledge, offering the ability to access a vast library of resources at our fingertips. With platforms like Project Gutenberg, Open Library, and various digital libraries offered by educational institutions, we have access to an ever-expanding collection of books and manuals. Whether for educational, professional, or personal purposes, these digital resources serve as valuable tools for continuous learning and self-improvement. So why not take advantage of the vast world of Connection Example Danfoss books and manuals for download and embark on your journey of knowledge?

FAQs About Connection Example Danfoss Books

1. Where can I buy Connection Example Danfoss books? Bookstores: Physical bookstores like Barnes & Noble, Waterstones, and independent local stores. Online Retailers: Amazon, Book Depository, and various online bookstores offer a wide range of books in physical and digital formats.
2. What are the different book formats available? Hardcover: Sturdy and durable, usually more expensive. Paperback: Cheaper, lighter, and more portable than hardcovers. E-books: Digital books available for e-readers like Kindle or software like Apple Books, Kindle, and Google Play Books.
3. How do I choose a Connection Example Danfoss book to read? Genres: Consider the genre you enjoy (fiction, non-fiction, mystery, sci-fi, etc.). Recommendations: Ask friends, join book clubs, or explore online reviews and recommendations. Author: If you like a particular author, you might enjoy more of their work.
4. How do I take care of Connection Example Danfoss books? Storage: Keep them away from direct sunlight and in a dry environment. Handling: Avoid folding pages, use bookmarks, and handle them with clean hands. Cleaning: Gently dust the covers and pages occasionally.
5. Can I borrow books without buying them? Public Libraries: Local libraries offer a wide range of books for borrowing. Book Swaps: Community book exchanges or online platforms where people exchange books.
6. How can I track my reading progress or manage my book collection? Book Tracking Apps: Goodreads, LibraryThing, and Book Catalogue are popular apps for tracking your reading progress and managing book collections. Spreadsheets: You can create your own spreadsheet to track books read, ratings, and other details.
7. What are Connection Example Danfoss audiobooks, and where can I find them? Audiobooks: Audio recordings of books,

- perfect for listening while commuting or multitasking. Platforms: Audible, LibriVox, and Google Play Books offer a wide selection of audiobooks.
8. How do I support authors or the book industry? Buy Books: Purchase books from authors or independent bookstores. Reviews: Leave reviews on platforms like Goodreads or Amazon. Promotion: Share your favorite books on social media or recommend them to friends.
 9. Are there book clubs or reading communities I can join? Local Clubs: Check for local book clubs in libraries or community centers. Online Communities: Platforms like Goodreads have virtual book clubs and discussion groups.
 10. Can I read Connection Example Danfoss books for free? Public Domain Books: Many classic books are available for free as they're in the public domain. Free E-books: Some websites offer free e-books legally, like Project Gutenberg or Open Library.

Find Connection Example Danfoss :

solid mensuration problems with solutions nstoreore

solution electric machinery 2nd edition

solutions to exercises open university

solutions real analysis dupree

soil mechanics and foundation engineering

sold by patricia mccormick railnz

sound and recording an introduction music technology

speed reading for dummies

social psychology david myers 11th edition online

solar system 8th edition pluteo

solution of soft computing book s sivanandam download

special relativity problems and solutions

small water system operation 5th edition sacramento

slide ology the art and science of creating great presentations the art and science of presentation design

skillful reading writing level 2 macmillan english

Connection Example Danfoss :

konstruktionselemente tl 1 beispieleammlung fur d 2022 - Sep 04 2022

web konstruktionselemente tl 1 beispieleammlung fur d 1 konstruktionselemente tl 1 beispieleammlung fur d downloaded from cybersmash io by guest greyson alicia bucher lexikon 1750 1910 a k 1899 1902 good press dubel s handbook has provided generations of german speaking engineers with a comprehensive

konstruktionselemente tl 1 beispieleammlung für den - Aug 15 2023

web jan 1 1994 konstruktionselemente tl 1 beispieleammlung für den vorrichtungsbau und maschinenbau by january 1 1994 vogel vlg würzburg edition paperback in german deutsch konstruktionselemente tl 1 beispieleammlung für den vorrichtungsbau und maschinenbau january 1 1994 edition open library

konstruktionselement schreibung definition bedeutung - Feb 26 2022

web in einem komplexen technischen objekt oder einem gebäude teil verwendetes material werkstück beispiele weite überspannte große und kleine teilweise mehrstöckig übereinander gelegene säle die erhebliche belastungen auszuhalten haben erfordern außerordentlich tragfähige konstruktionselemente der tagesspiegel 27 10 2001

konstruktionselemente tl 1 beispieleammlung fur d - Mar 30 2022

web konstruktionselemente tl 1 beispieleammlung fur d 2 8 downloaded from staging friends library org on november 16 2022 by guest hinrichs fünfjars katalog der im deutschen buchhandel erschienenen bücher zeitschriften landkarten usw 1896 elektrotechnische zeitschrift 1914

konstruktionselemente tl 1 beispieleammlung fur d pdf - Jun 01 2022

web konstruktionselemente tl 1 beispieleammlung fur d in view of that simple hinrichs fünfjähriger katalog der im deutschen buchhandel erschienenen bücher zeitschriften landkarten etc mit ausführlichem sachregister 1896

konstruktionselemente tl 3 beispieleammlung für die - Jul 02 2022

web konstruktionselemente tl 3 beispieleammlung für die montagetchnik und zuführtechnik gebundene ausgabe 1 januar 1999 januar 1999 von heinrich krahn autor karl h nörthemann autor stefan hesse autor dieter eh autor 1 mehr

unterlagen zum modul konstruktionselemente 1 an der fachhochschule dortmund - Nov 06 2022

web unterlagen im modul konstruktionselemente 1 der fachhochschule dortmund maschinenbau zum kostenlosen download auf uniturm de

konstruktionselemente tl 1 beispieleammlung fur d pdf 2023 - Jan 28 2022

web mar 19 2023 with guides you could enjoy now is konstruktionselemente tl 1 beispieleammlung fur d pdf below berg s fur web we do not use chemicals identified as contaminants of concern we are regularly beispieleammlung fur d pdf web konstruktionselemente tl 1 beispieleammlung fur d when people should go to the

[konstruktionselemente tl 1 beispieleammlung fur d](#) - Aug 03 2022

web as this konstruktionselemente tl 1 beispieleammlung fur d it ends going on mammal one of the favored book konstruktionselemente tl 1 beispieleammlung fur d collections that we have this is why you remain in the best website to see the unbelievable ebook to have vollstndiges bcher lexicon 1750 1910 christian gottlob kayser 1962

konstruktionselemente tl 1 beispieleammlung fur d pdf - May 12 2023

web konstruktionselemente tl 1 beispieleammlung fur d 2 6 downloaded from uniport edu ng on august 6 2023 by guest future oriented conclusions the comprehensive overview of the status of design methodology given in the future of design methodology will help enhance the individual scientific

konstruktionselemente des maschinenbaus 1 springer - Jan 08 2023

web konstruktionselemente des maschinenbaus stellen die basis zum schpferischen gestalten im produktentwicklungsprozess dar sie sind grundlage jeder maschinenbau ingenieursausbildung das erlernen und verstehen von maschinen und konstruktionselementen die eine berschaubare komplexitt haben frdert das

konstruktionselemente tl 1 beispieleammlung fur d - Jun 13 2023

web 1 konstruktionselemente tl 1 beispieleammlung fur d recognizing the way ways to acquire this books konstruktionselemente tl 1 beispieleammlung fur d is additionally useful you have remained in right site to begin getting this info acquire the konstruktionselemente tl 1 beispieleammlung fur d associate that we present here

konstruktionselemente tl 1 beispieleammlung fur d pdf - Apr 11 2023

web introduction konstruktionselemente tl 1 beispieleammlung fur d pdf download only flexible composite materials rené motro 2013 textile architecture has been captivating humanity for many centuries

konstruktionselemente tl 1 beispieleammlung fur d pdf pdf - Jul 14 2023

web title konstruktionselemente tl 1 beispieleammlung fur d pdf pdf devy ortax org created date 9 2 2023 9 33 40 pm

[konstruktionselemente tl 1 beispieleammlung fur d](#) - Oct 05 2022

web 1 konstruktionselemente tl 1 beispieleammlung fur d this is likewise one of the factors by obtaining the soft documents of this konstruktionselemente tl 1 beispieleammlung fur d by online you might not require more period to spend to go to the book inauguration as capably as search for them in some cases you likewise reach not discover the

konstruktionselemente tl 1 beispieleammlung fur d copy - Feb 09 2023

web konstruktionselemente tl 1 beispieleammlung fur d 2 6 downloaded from uniport edu ng on july 23 2023 by guest handbook of mechanical engineering heinrich dubbel 1994 dubel s handbook has provided generations of german speaking engineers with a comprehensive source of guidance and reference on which they can rely throughout their

[konstruktionselemente tl 1 beispieleammlung fur d marcel](#) - Apr 30 2022

web this konstruktionselemente tl 1 beispieleammlung fur d as one of the most enthusiastic sellers here will certainly be in the course of the best options to review bucher lexikon 1750 1910 a k 1899 1902 christian

konstruktionselemente tl 1 beispieleammlung fur d pdf - Dec 07 2022

web oct 23 2022 kindly say the konstruktionselemente tl 1 beispieleammlung fur d is universally compatible with any devices to read reactions and syntheses lutz f tietze 2015 06 22 the second edition of this classic text book has been completely revised updated and extended to include chapters on biomimetic amination reactions wacker

konstruktionselementetl1beispieleammlungfurd 2022 - Dec 27 2021

web 2 2 konstruktionselementetl1beispieleammlungfurd 2022 01 05 clean approach to the illustrations perfect for use as a study guide for the most difficult section of the

konstruktionselemente tl 1 beispieleammlung fur d paul w - Mar 10 2023

web konstruktionselemente tl 1 beispieleammlung fur d is clear in our digital library an online access to it is set as the konstruktionselemente tl 1 beispieleammlung fur d is universally compatible past any devices to read reactions and syntheses lutz f tietze 2015 02 23 the second edition of this classic text book has been completely

48 horas para un destino spanish edition pasta blanda - May 15 2023

web nosotros haremos todo el trabajo un wowtrip es un viaje sorpresa a un destino desconocido con wowtrip conocerás tu destino al llegar al aeropuerto o al salir de tu

wish fly viajes sorpresa escapadas con destino - Mar 13 2023

web colaboramos con aerolíneas y hoteles de confianza para reservar tus vuelos de ida y vuelta y alojamientos de la mejor categoría en el centro de la ciudad recuerda que el

48 horas para un destino de emi negro en pdf mobi y epub - Nov 09 2022

web 48 horas en varsovia mejor destino europeo para visitar en 2023 una guía rápida y útil para moverse por la que ha sido considerada mejor destino europeo 2023 dónde

48 horas para un destino gigalibros com - Jun 04 2022

web 48n İstanbul elektrik tramvay ve tünel 48n otobüs hattının ilk durağı emniyettepe son durak yönü olup son durağı emniyettepe son durak yönü durağıdır 48n

48 horas para un destino epub gratis - Oct 08 2022

web viaja con drumwit por europa sin conocer tu destino a precios increíbles desde solo 150 vuelos hotel 2 noches por persona

drumwit viaja a un destino sorpresa desde 150 vuelos hotel - Jul 05 2022

web 48 otobüs hattı bahçeköy caddesi meciyeköy avm bahçeköy caddesi son durak yönü durağından başlayıp meciyeköy

avm sondurak yönü durağına gidene kadar 33

books similar to 48 horas para un destino goodreads - Jan 11 2023

web epublibre espaebok español lectulandia libros para adultos megaepub sinopsis konner es un soldado obligado a retirarse de sus funciones forzosamente que intenta

48 horas para un destino mundo epub gratis - Nov 28 2021

48d göktürk haciosman metro otobüs saatleri otobüs saatleri - Jan 31 2022

web epublibre espaebok español megaepub público adulto sinopsis konner es un soldado obligado a retirarse de sus funciones forzosamente que intenta recomponer los restos

48 horas para un destino by emi negre goodreads - Aug 18 2023

web descubrirás tu destino pocos días antes de viajar vivirás una experiencia divertida espontánea y sorprendente es la escapada perfecta para cualquier espíritu

viajes sorpresa viajar sin destino por menos de 150 - May 03 2022

web 48d göktürk haciosman metro kalkış saatleri 48d hareket saatleri 48 d İett otobüs saatleri 48d İstanbul göktürk haciosman metro otobüs seferleri son güncelleme

48 güzergahı saatleri durakları ve haritası moovit - Apr 02 2022

web 48t hamidiye mahallesi taksim sefer saatleri 48t saat kaçta kalkıyor İett sefer saatleri 48t durakları İett araç takip ve mobil İett özellikli sayfamızda

viaje sorpresa wowtrip travel españa - Apr 14 2023

web find books like 48 horas para un destino from the world s largest community of readers goodreads members who liked 48 horas para un destino also liked

48 horas noticias consejos y guías de viajes traveler - Aug 06 2022

web comparamos los mejores proveedores de viajes sorpresa algunos de ellos con cupón descuento reservas un viaje ahora pero solo sabrás el destino 48 horas antes del vuelo

5 plataformas para irse de viaje sin conocer el destino - Feb 12 2023

web el lector se enfrenta a una obra cargada de acción que lo envolverá desde la primera página para conducirlo durante toda la historia por un terreno misterioso y lleno de

flykube the magic of surprise trips - Dec 10 2022

web una historia donde el pasado y el presente se unirán para mostrar toda la verdad un amigo del pasado de konner será el encargado de ayudarlo en su misión más difícil

48 horas para un destino tapa blanda 23 enero 2019 - Sep 19 2023

web pensaba que todo iría sobre las guerras pero nada que ver los fantasmas del pasado vuelven en el presente un hombre atormentado por las cosas que hizo con un buen

48 horas para un destino epub gratis lectulandia xyz - Oct 28 2021

48t hamidiye mahallesi taksim İett sefer saatleri takvim - Dec 30 2021

48n güzergahı saatleri durakları ve haritası emniyettepe - Mar 01 2022

web 48 horas para un destino es un libro para descargar gratis en epub pdf y mobi descargar ahora ediciones ebook sorprendente misterioso lleno de

48 horas para un destino emi negre download on z library - Sep 07 2022

web diseño de la portada alexia jorques info alexiajorques gmail com isbn 978 1793234810 independently published kdp select amazon todos los derechos reservados quedan

londres en 48 horas qué ver qué hacer y donde alojarse - Jun 16 2023

web pensaba que todo iría sobre las guerras pero nada que ver los fantasmas del pasado vuelven en el presente un hombre atormentado por las cosas que hizo con un buen

waynabox viaje sorpresa 125 descubre tu destino 48h antes - Jul 17 2023

web sep 16 2023 cultura estilo de vida londres en 48 horas qué ver qué hacer y donde alojarse si planeas una escapada para verano u otoño londres es el destino por

libro tengo 10 años y me encantan los zombies el libro para - Dec 30 2022

web jun 15 2020 descargar tengo 10 años y me encantan los zombies el libro para colorear para niños que aman los zombies de estás aquí pdf epub lee ahora download reseña del editor a tu hijo de diez años le gusta colorear a tu hijo de 10 años le gustan los zombis pon algunos zombis en tu carrito ahora

tengo 9 anos y me encantan los zombies el libro p pdf - Oct 28 2022

web jun 14 2023 tengo 9 anos y me encantan los zombies el libro p 1 12 downloaded from uniport edu ng on june 14 2023 by guest tengo 9 anos y me encantan los zombies el libro p as recognized adventure as well as experience very nearly lesson amusement as skillfully as union can

tengo 11 años y me encantan los zombies libros de colorear - Apr 02 2023

web tengo 11 años y me encantan los zombies libros de colorear para niños libro para colorear para niños que aman los zombies shepherd claire amazon es libros

tengo 9 anos y me encantan los zombies el libro p pdf - Jul 25 2022

web jun 7 2023 tengo 9 anos y me encantan los zombies el libro p 1 6 downloaded from uniport edu ng on june 7 2023 by guest tengo 9 anos y me encantan los zombies el libro p right here we have countless books tengo 9 anos y me encantan los zombies el libro p and collections to check out we additionally provide variant types and then type

soñar contigo 2017 capítulo 89 sanem y can están ansiosos por el - Jun 23 2022

web cada mañana se levanta temprano y abre una tienda en lugar de su padre enfermo por eso la llamaban madrugadora la niña se ve obligada a buscar un buen trabajo de lo contrario se casará con un amigo de la infancia al final sanem consigue un trabajo en una editorial donde trabaja su hermana lale aquí es donde comienzan sus aventuras

descargar gratis tengo 9 años y me encantan los zombies el libro - Sep 07 2023

web mar 5 2020 descargar gratis tengo 9 años y me encantan los zombies el libro para colorear para niños que aman los zombies de estás aquí pdf epub mobi gratis descarga gratuita tengo 9 años y me encantan los zombies el libro para colorear para niños que aman los zombies descarga de libros

descargar gratis tengo 9 años y me encantan los zombies el libro - May 03 2023

web feb 24 2020 descargar pdf tengo 9 años y me encantan los zombies el libro para colorear para niños que aman los zombies de estás aquí pdf epub mobi gratis descargar libros completos tengo 9 años y me encantan los zombies el libro para colorear para niños que aman los zombies

descargar pdf tengo 9 años y me encantan los zombies el libro - Jul 05 2023

web apr 13 2021 tengo 9 años y me encantan los zombies el libro para colorear para niños que aman los zombies de estás aquí descripción reseña del editor a tu hijo de nueve años le gusta colorear a tu hijo de 9 años le gustan los zombis pon algunos zombis en tu carrito ahora

tengo 9 anos y me encantan los zombies el libro p len - Apr 21 2022

web tengo 9 anos y me encantan los zombies el libro p as recognized adventure as competently as experience approximately lesson amusement as skillfully as concurrence can be gotten by just checking out a ebook tengo 9 anos y me encantan los zombies el libro p along with it is not directly done you could tolerate even more on the order of

tengo 9 anos y me encantan los zombies el libro p margo - Aug 06 2023

web tengo 9 anos y me encantan los zombies el libro p if you ally need such a referred tengo 9 anos y me encantan los zombies el libro p books that will find the money for you worth acquire the extremely best seller from us currently from several preferred authors if you desire to funny books lots of novels tale jokes and more fictions

tengo 9 anos y me encantan los zombies el libro p copy - Nov 28 2022

web 2 tengo 9 anos y me encantan los zombies el libro p 2022 05 06 tengo 9 anos y me encantan los zombies el libro p

downloaded from checkin thecontemporaryaustin org by guest krueger stewart espanol para la vida 2 lingualism com la vida es un don un don no dignificado no agradecido y no vivido

tengo 9 anos y me encantan los zombies el libro p adam neville - Mar 21 2022

web tengo 9 anos y me encantan los zombies el libro p by online you might not require more era to spend to go to the books inauguration as well as search for them in some cases you likewise complete not discover the statement tengo 9 anos y me encantan los zombies el libro p that you are looking for it will totally squander the time

tengo 9 años y me encantan los zombies el libro para colorear - Oct 08 2023

web tengo 9 años y me encantan los zombies el libro para colorear para niños que aman los zombies aquí estás amazon com tr kitap

tengo 9 anos y me encantan los zombies el libro p 2022 - Mar 01 2023

web tengo 9 anos y me encantan los zombies el libro p 5 5 vencerá no hagas el bien por ganar el cielo eso es chantaje la fe no está a la venta haz el bien porque es correcto porque lo sientes el cielo vendrá por añadidura eddy torres rocha advanced spanish grammar routledge in the 2016 spring semester the patrick tannenhaus

amor a primera vista tony lopez y tú capítulo 89 wattpad - May 23 2022

web josh si ahí nos hacemos bola anthony dale pues ay que irnos ya todos se subieron a los autos y a nosotras nos toca ir nos encima de los chicos payton te toca sentarte arriba de tony entre al auto y me senté arriba de tony tony me debes algo después del desayuno susurró con una voz sensual y poniendo sus manos en mis

tengo 9 anos y me encantan los zombies el libro p pdf - Jan 31 2023

web jun 27 2023 tengo 9 anos y me encantan los zombies el libro p 2 8 downloaded from uniport edu ng on june 27 2023 by guest inteligentes y conceptos de ciencia tecnología que despertarán interés para seguir aprendiendo sobre ello es bilingüe respondiendo a que los estudios revelan que los as niños as conocedores de más de un idioma obtienen

tengo 9 anos y me encantan los zombies el libro p download - Aug 26 2022

web 2 tengo 9 anos y me encantan los zombies el libro p 2021 05 22 tengo 9 anos y me encantan los zombies el libro p downloaded from retailer bonide com by guest katelyn boyer tesoros para niños nelson thornes imágenes third edition takes a functional integrated skills approach specifically designed to help students develop

tengo 9 anos y me encantan los zombies el libro p 2022 - Sep 26 2022

web merely said the tengo 9 anos y me encantan los zombies el libro p is universally compatible subsequent to any devices to read tengo 9 anos y me encantan los zombies el libro p downloaded from cybersmash io by guest bond chaim la mejor música del mundo libros del zorzal

tengo 9 años y me encantan los zombies el libro para - Jun 04 2023

web tengo 9 años y me encantan los zombies el libro para colorear para niños que aman los zombies by estás aquí un gato me encantan los animales y estaría dispuesta a cuidar de ellos pasearlos etc tengo 12 años empeze a

tengo 9 años y me encantan los zombies el libro p - Feb 17 2022

web 4 tengo 9 años y me encantan los zombies el libro p 2023 01 27 los milagros ocurren todos los días esta es la verdadera historia fascinante acerca de una niña que quedó paralizada con el diagnóstico de cáncer ne se esperaba que ella caminaa jámas y viviría sólo unos pocos meses este milagro es una historia de fe oración y